



US00D786937S

(12) **United States Design Patent**
Nelson et al.

(10) **Patent No.: US D786,937 S**

(45) **Date of Patent: ** May 16, 2017**

- (54) **BALLOON INFLATION DEVICE**
- (71) Applicant: **Premium Balloon Accessories, Inc.**,
Sharon Center, OH (US)
- (72) Inventors: **David C. Nelson**, Akron, OH (US);
Wesley A. Scheroeder, Seville, OH
(US); **Tung Po Shao**, Taipei (TW)
- (73) Assignee: **Premium Balloon Accessories, Inc.**,
Sharon Center, OH (US)
- (**) Term: **15 Years**
- (21) Appl. No.: **29/547,274**
- (22) Filed: **Dec. 2, 2015**
- (51) **LOC (10) Cl.** **15-02**
- (52) **U.S. Cl.**
USPC **D15/7**
- (58) **Field of Classification Search**
USPC D15/7-9; D23/231, 232, 225; 417/60,
417/235, 265, 321, 355, 358, 363, 359,
417/410.1, 415-416, 405, 900; 60/408,
60/412; 184/26-37; 415/140-147;
123/495, 509; 53/434; D21/453
CPC B65B 43/36; B65B 39/02; A63H 3/06;
A63H 27/10; A63H 2027/1033
See application file for complete search history.

D333,664 S *	3/1993	Carroll	D15/7
6,478,057 B1 *	11/2002	Bearss	A63H 27/10 141/114
6,488,557 B1 *	12/2002	Elliott	A63H 27/10 446/220
6,634,394 B1 *	10/2003	Nelson	A63H 27/10 141/114
D488,338 S *	4/2004	Nelson	D6/512
D557,707 S *	12/2007	Nelson	D15/7
D574,017 S *	7/2008	Hernandez, Jr.	D15/9
D675,650 S *	2/2013	Champ	D15/7
D738,402 S *	9/2015	Nelson	D15/7
D749,643 S *	2/2016	Craig	D15/9
D772,946 S *	11/2016	Harter	D15/7

* cited by examiner

Primary Examiner — Ralf Seifert

(74) *Attorney, Agent, or Firm* — Renner Kenner Greive
Bobak Taylor & Weber

(57) **CLAIM**

The ornamental design for a balloon inflation device, as shown and described.

DESCRIPTION

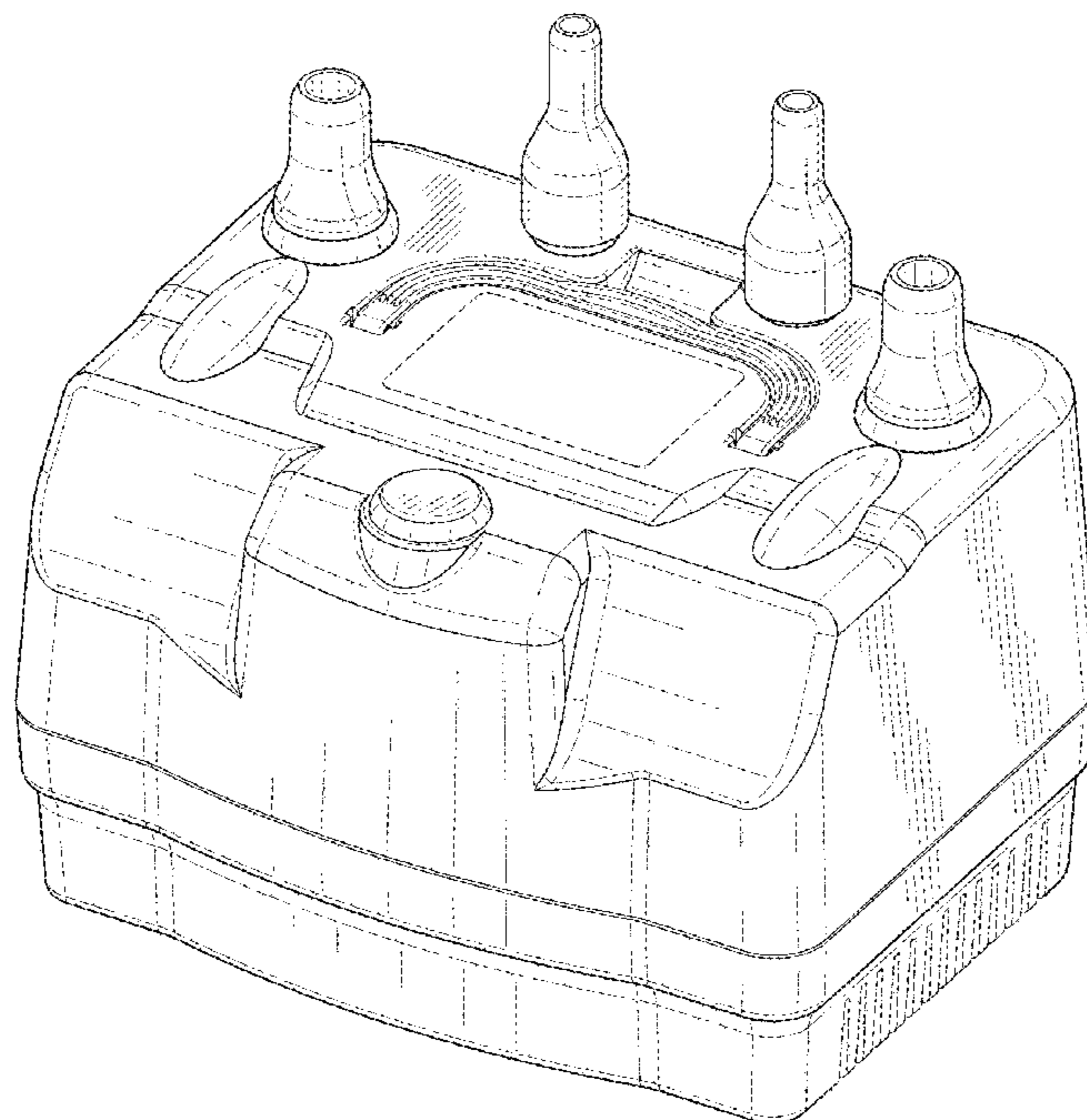
FIG. 1 is a perspective view of the balloon inflation device of this invention;
 FIG. 2 is a front elevational view thereof;
 FIG. 3 is a left-side elevational view thereof;
 FIG. 4 is a right-side elevational view thereof;
 FIG. 5 is a top plan view thereof; and,
 FIG. 6 is a rear elevational view thereof, and the bottom view is not provided as it does not form part of the design to be protected.
 In the drawings, the ghost-line portions do not form a part of the design sought to be patented.

1 Claim, 6 Drawing Sheets

(56) **References Cited**

U.S. PATENT DOCUMENTS

D223,475 S *	4/1972	Elson et al.	D15/199
D311,055 S *	10/1990	Corley	D15/7
D314,075 S *	1/1991	Hollerback	D34/13
D325,586 S *	4/1992	Carroll	137/223



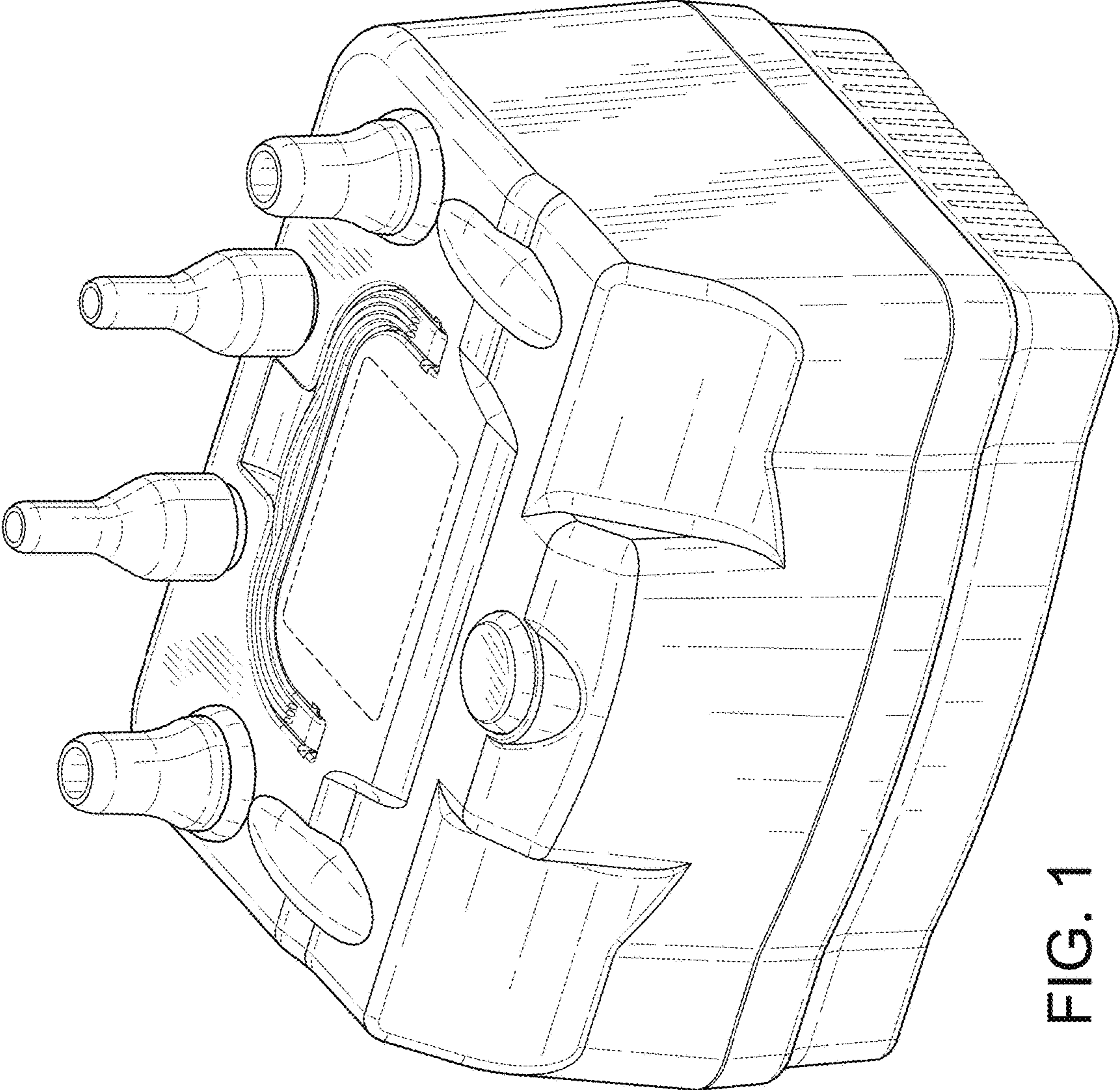


FIG. 1

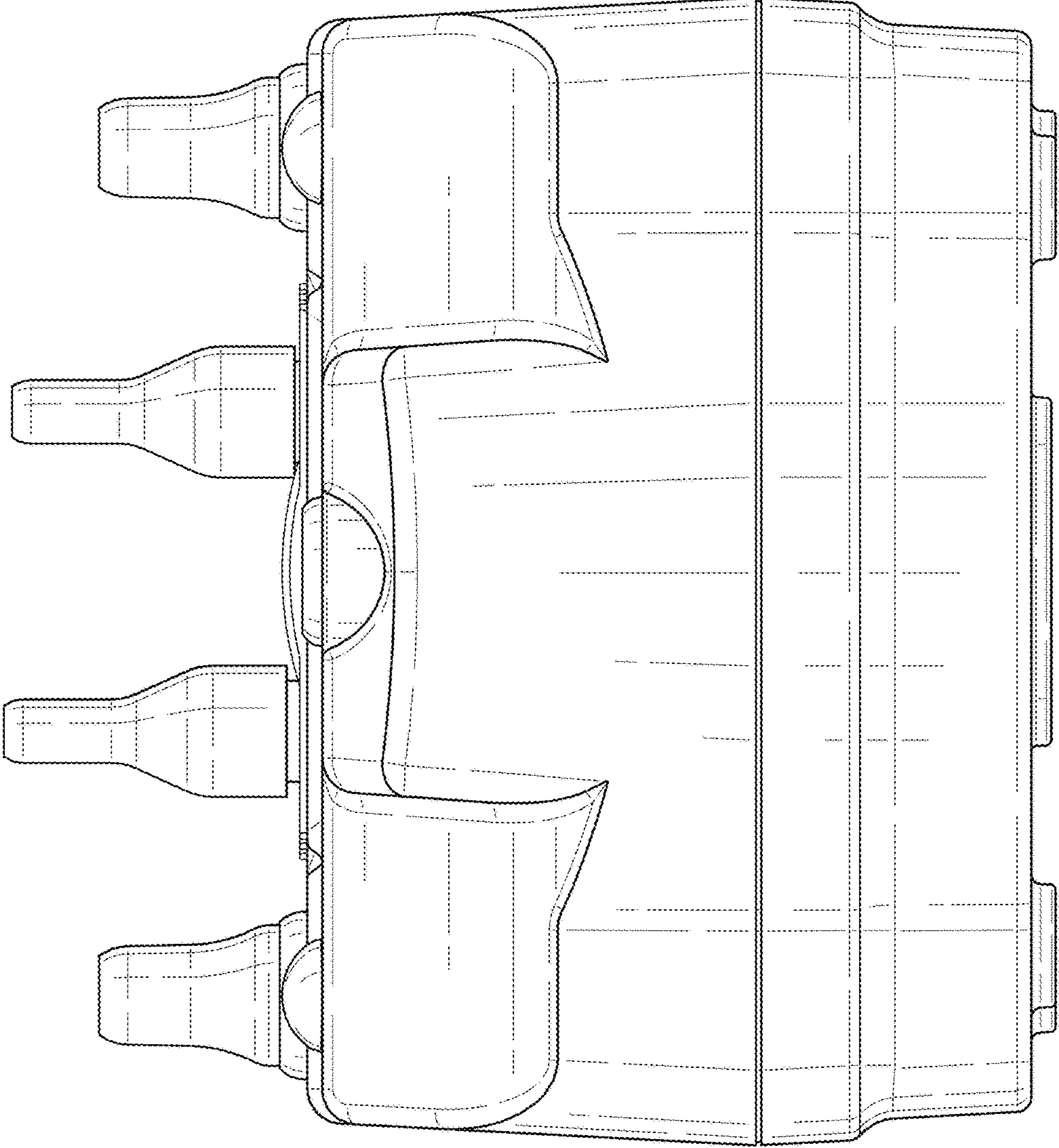


FIG. 2

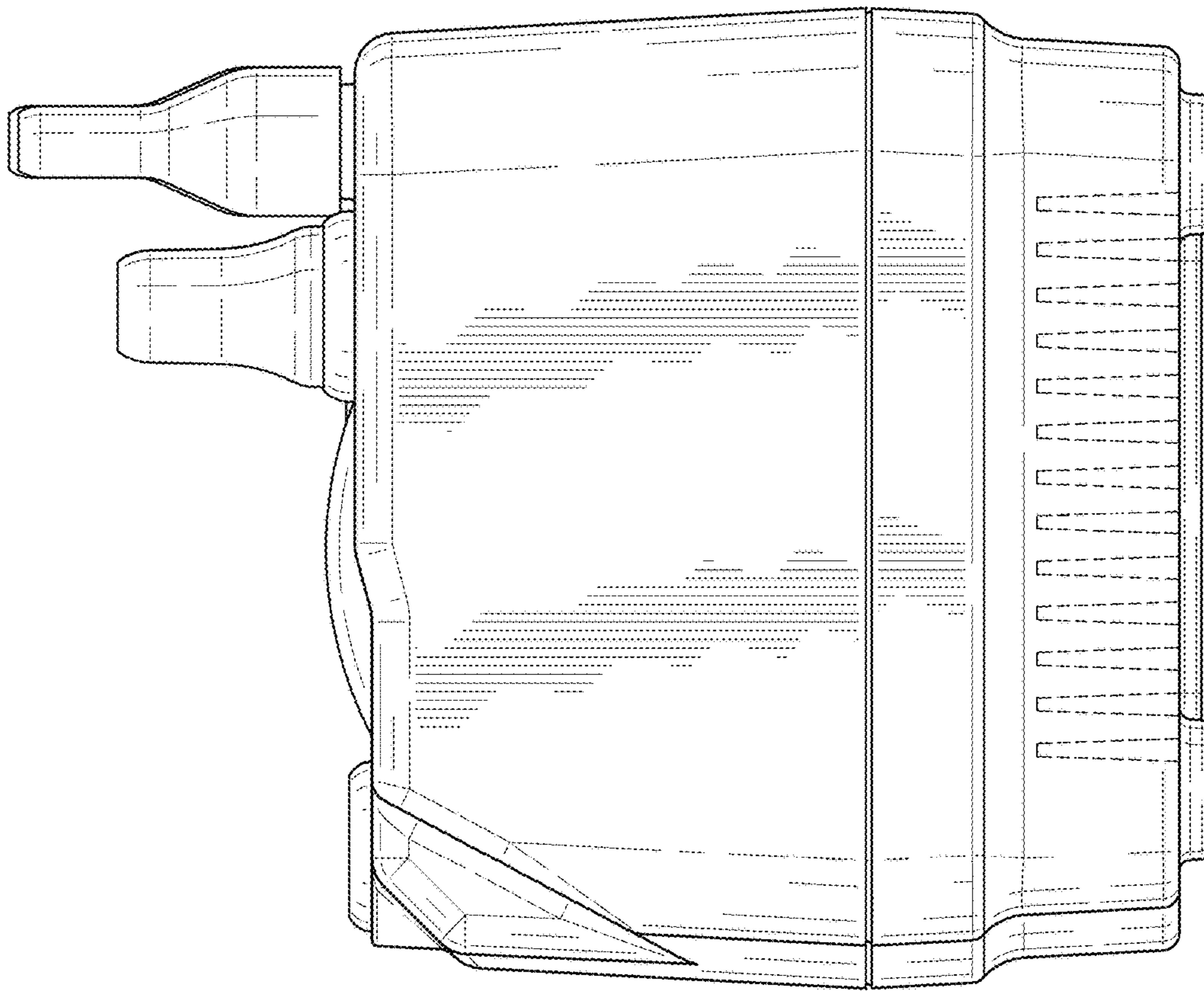


FIG. 3

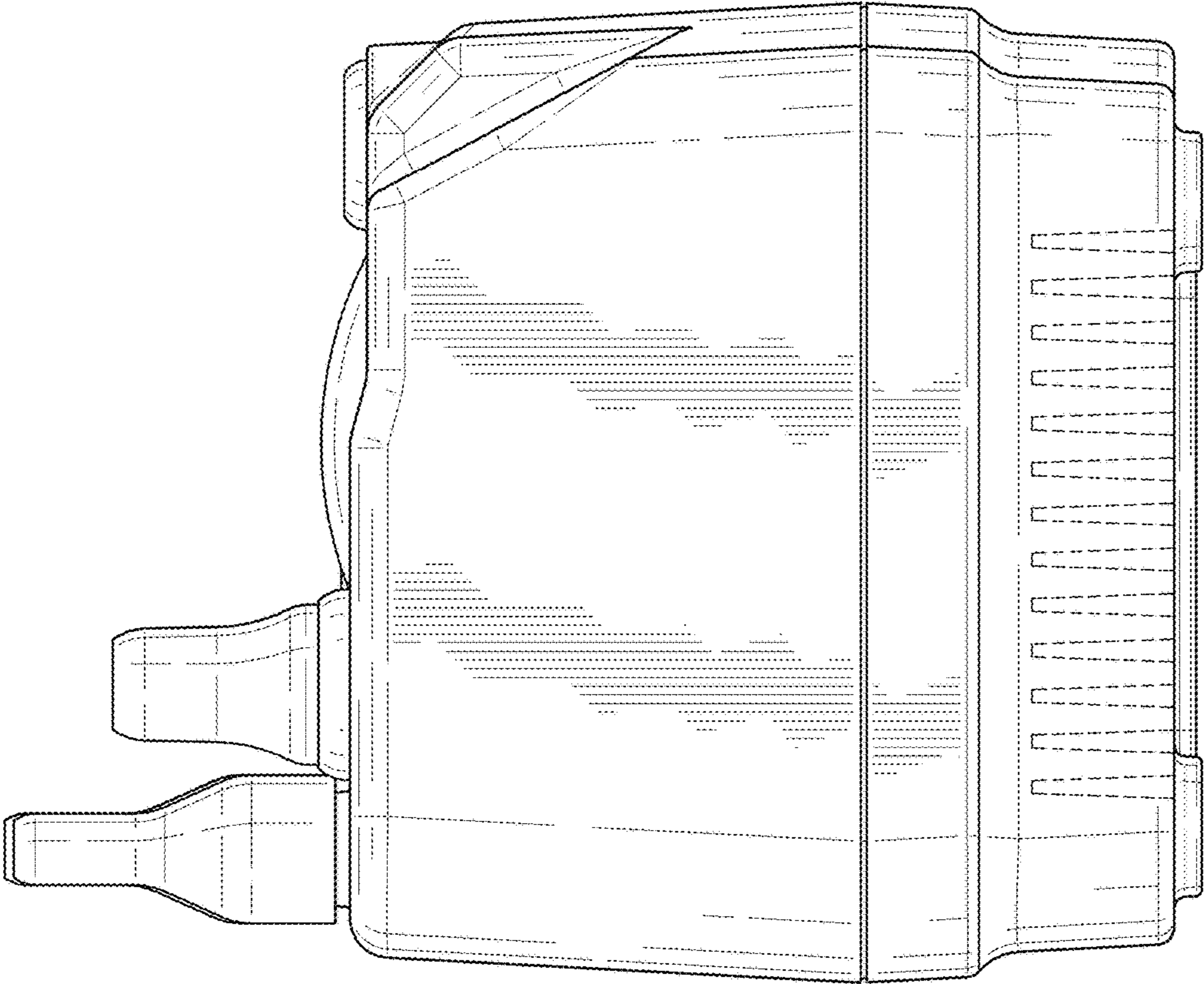


FIG. 4

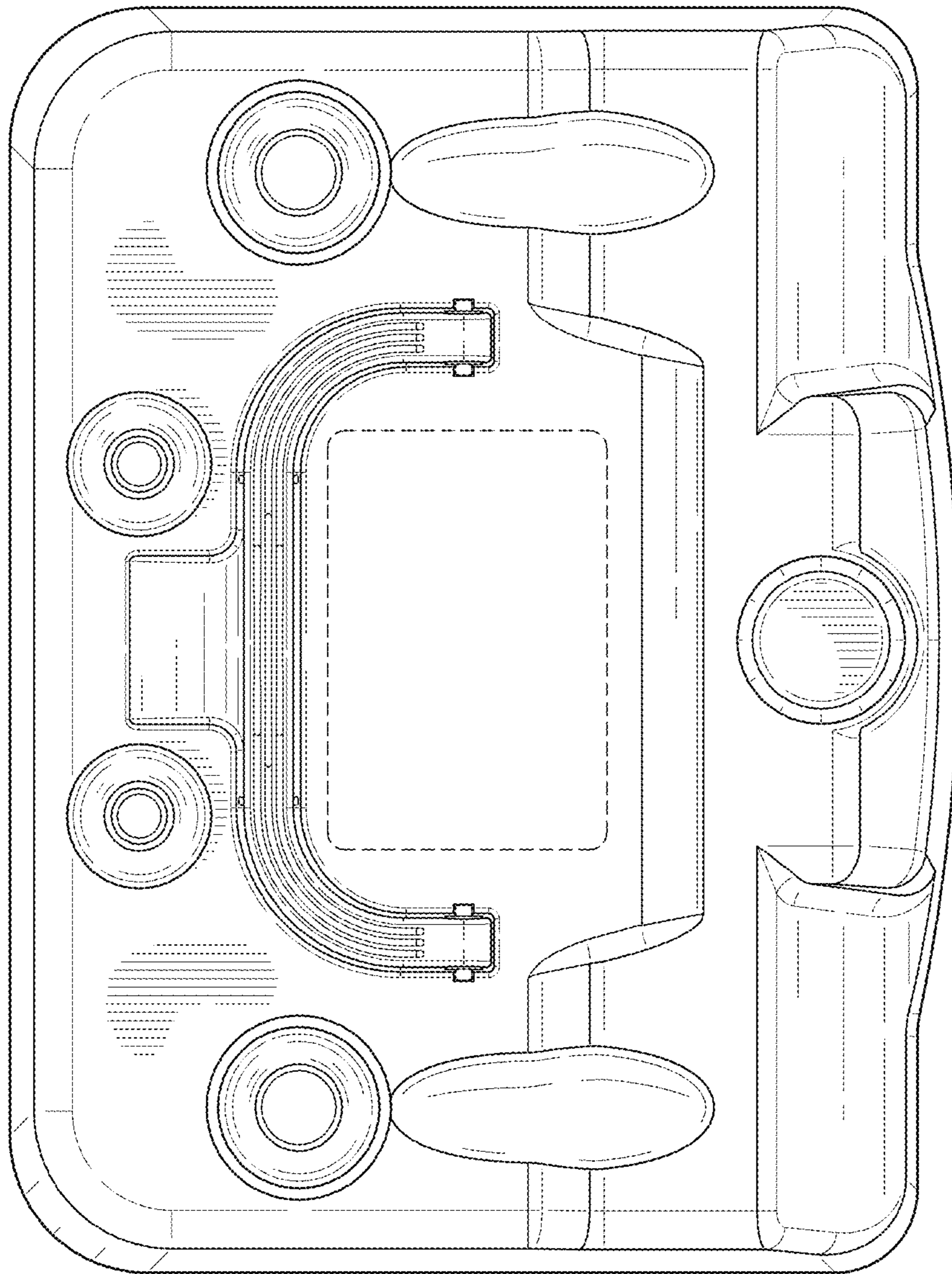


FIG. 5

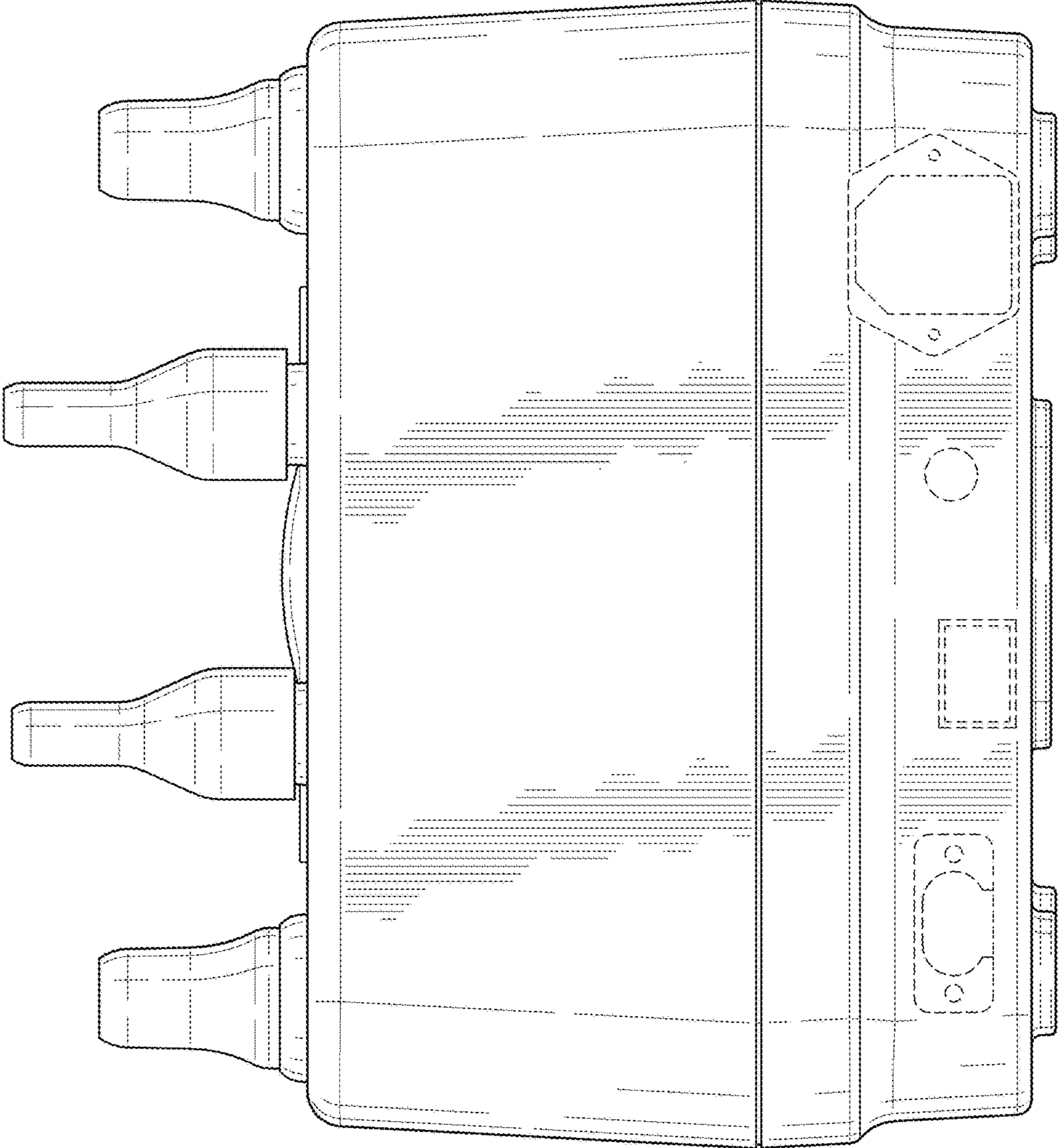


FIG. 6