



US00D786935S

(12) **United States Design Patent** (10) **Patent No.:** **US D786,935 S**
Krull (45) **Date of Patent:** **** May 16, 2017**

(54) **FILTER ELEMENT**
(71) Applicant: **Timothy L. Krull**, Kearney, NE (US)
(72) Inventor: **Timothy L. Krull**, Kearney, NE (US)
(73) Assignee: **Baldwin Filters, Inc.**, Kearney, NE (US)
(**) Term: **15 Years**
(21) Appl. No.: **29/546,241**

6,348,084 B1 2/2002 Gieseke et al.
6,348,085 B1 2/2002 Tokar et al.
6,350,291 B1 2/2002 Gieseke et al.
6,368,374 B1 4/2002 Tokar et al.
D460,169 S 7/2002 Anderson et al.
D461,003 S 7/2002 Gieseke et al.
6,416,605 B1 7/2002 Golden
D461,884 S 8/2002 Gieseke et al.
D466,602 S 12/2002 Gieseke et al.
6,517,598 B2 2/2003 Anderson et al.
6,533,845 B2 3/2003 Tokar et al.
D473,637 S 4/2003 Golden

(Continued)

(22) Filed: **Nov. 20, 2015**
(51) **LOC (10) Cl.** **15-01**
(52) **U.S. Cl.**
USPC **D15/5; D23/365**
(58) **Field of Classification Search**
USPC D15/1-6; D23/365, 209, 363, 358, 386,
D23/354, 341, 364
CPC F01M 13/00; F01M 2013/0038
See application file for complete search history.

FOREIGN PATENT DOCUMENTS

WO WO 2005/058461 A1 6/2005
WO WO 2005/077487 A1 8/2005

(Continued)

Primary Examiner — T. Chase Nelson
Assistant Examiner — Ania Aman
(74) *Attorney, Agent, or Firm* — Reinhart Boerner Van Deuren P.C.

(56) **References Cited**
U.S. PATENT DOCUMENTS

4,559,205 A * 12/1985 Hood B01D 53/86
422/180
5,447,697 A * 9/1995 Ito B23K 1/0014
422/179
5,772,883 A 6/1998 Rothman et al.
5,792,247 A 8/1998 Gillingham et al.
5,820,646 A 10/1998 Gillingham et al.
5,895,574 A 4/1999 Friedmann et al.
5,902,364 A 5/1999 Tokar et al.
6,048,386 A 4/2000 Gillingham et al.
6,179,890 B1 1/2001 Ramos et al.
D437,402 S 2/2001 Gieseke et al.
6,190,432 B1 2/2001 Gieseke et al.
6,210,469 B1 4/2001 Tokar
6,235,195 B1 5/2001 Tokar
D450,827 S 11/2001 Gieseke et al.
D450,828 S 11/2001 Tokar

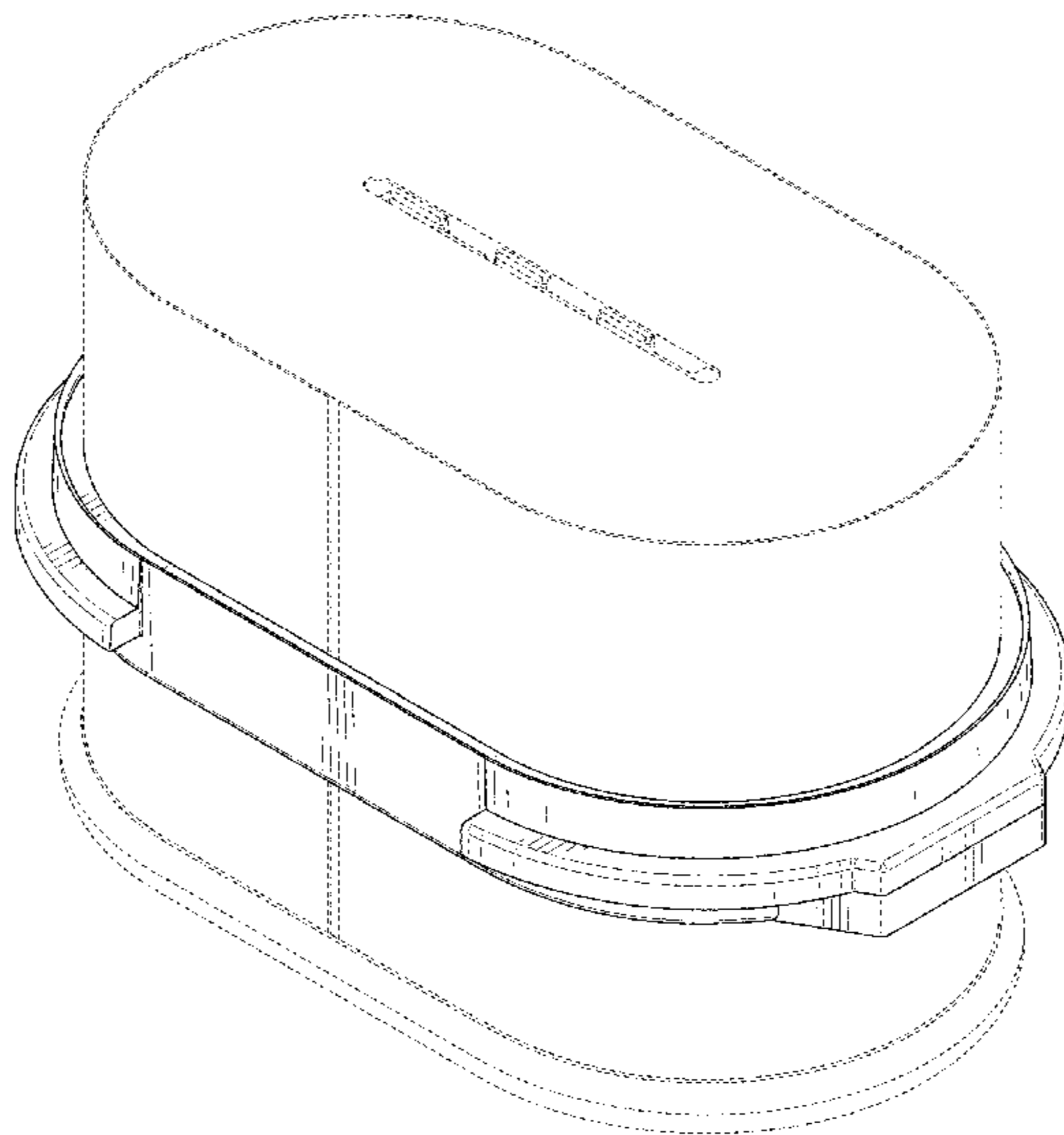
(57) **CLAIM**

I claim the ornamental design for the filter element, as shown and described.

DESCRIPTION

FIG. 1 is a perspective view of the filter element;
FIG. 2 is a side view of the filter element of FIG. 1;
FIG. 3 is a side view of the filter element of FIG. 1 showing the side opposite that shown in FIG. 2;
FIG. 4 is a back view of the filter element of FIG. 1;
FIG. 5 is a front view of the filter element of FIG. 1;
FIG. 6 is a top view of the filter element of FIG. 1; and,
FIG. 7 is a bottom view of the filter element of FIG. 1.
In the drawings, the broken lines depict unclaimed subject matter only and form no part of the claimed design.

1 Claim, 7 Drawing Sheets



(56)

References Cited

U.S. PATENT DOCUMENTS

6,547,857 B2 4/2003 Gieseke et al.
 6,599,344 B2 7/2003 Tokar et al.
 6,610,117 B2 8/2003 Gieseke et al.
 6,610,126 B2 8/2003 Xu et al.
 D483,459 S * 12/2003 DeWit D23/365
 D484,584 S 12/2003 Anderson et al.
 6,673,136 B2 1/2004 Gillingham et al.
 6,743,273 B2 6/2004 Chung et al.
 6,746,517 B2 6/2004 Benson et al.
 6,746,518 B2 6/2004 Gieseke et al.
 6,780,534 B2 8/2004 Stenersen et al.
 6,783,565 B2 8/2004 Gieseke et al.
 6,783,881 B2 8/2004 Stenersen et al.
 6,797,027 B2 9/2004 Stenersen et al.
 6,852,141 B2 2/2005 Bishop et al.
 6,878,190 B1 4/2005 Xu et al.
 D506,539 S * 6/2005 Bishop D23/365
 6,924,028 B2 8/2005 Chung et al.
 6,955,775 B2 10/2005 Chung et al.
 6,960,245 B2 11/2005 Tokar et al.
 6,966,940 B2 11/2005 Krisko et al.
 6,974,490 B2 12/2005 Gillingham et al.
 6,994,744 B2 2/2006 Tokar et al.
 6,997,968 B2 2/2006 Xu et al.
 7,001,450 B2 2/2006 Gieseke et al.
 7,008,465 B2 3/2006 Graham et al.
 7,008,467 B2 3/2006 Krisko et al.
 7,070,640 B2 7/2006 Chung et al.
 7,090,712 B2 8/2006 Gillingham et al.
 7,090,715 B2 8/2006 Chung et al.
 7,115,150 B2 10/2006 Johnson et al.
 7,138,008 B2 11/2006 Stenersen et al.
 7,179,317 B2 2/2007 Chung et al.
 7,211,124 B2 5/2007 Gieseke et al.
 7,252,704 B2 8/2007 Tokar et al.
 7,270,692 B2 9/2007 Gillingham et al.
 7,270,693 B2 9/2007 Chung et al.
 7,282,075 B2 10/2007 Sporre et al.
 7,303,604 B2 12/2007 Gieseke et al.
 7,316,723 B2 1/2008 Chung et al.
 7,318,852 B2 1/2008 Chung et al.
 7,318,853 B2 1/2008 Chung et al.
 7,323,029 B2 1/2008 Engelland et al.
 7,329,326 B2 2/2008 Wagner et al.
 7,338,544 B2 3/2008 Sporre et al.
 7,351,270 B2 4/2008 Engelland et al.
 7,364,601 B2 4/2008 Xu et al.
 7,393,375 B2 7/2008 Xu et al.
 7,396,375 B2 7/2008 Nepsund et al.
 7,396,376 B2 7/2008 Schrage et al.
 7,416,534 B2 8/2008 Nair et al.
 7,488,365 B2 2/2009 Golden et al.
 7,491,254 B2 2/2009 Krisko et al.
 7,569,090 B2 8/2009 Nelson
 7,615,091 B2 11/2009 Gieseke et al.
 7,625,419 B2 12/2009 Nelson et al.
 7,635,403 B2 12/2009 Nepsund et al.
 7,645,310 B2 1/2010 Krisko et al.
 7,655,074 B2 2/2010 Nepsund et al.
 7,674,308 B2 3/2010 Krisko et al.
 7,682,416 B2 3/2010 Engelland et al.
 7,691,166 B2 4/2010 Xu et al.
 7,708,797 B2 5/2010 Kuempel et al.
 7,713,321 B2 5/2010 Kuempel et al.
 7,736,410 B2 6/2010 Kuempel et al.
 7,905,936 B2 3/2011 Coulonvaux et al.
 7,931,724 B2 4/2011 Schrage et al.
 7,935,166 B2 5/2011 Schrage et al.
 7,997,425 B2 * 8/2011 Golden B01D 25/001
 156/60
 8,034,145 B2 10/2011 Boehrs et al.
 D706,831 S * 6/2014 Schultz D15/5
 2005/0208348 A1 9/2005 Canepa

2006/0092426 A1 5/2006 Kamei et al.
 2006/0163150 A1 7/2006 Golden et al.
 2007/0039296 A1 2/2007 Schrage et al.
 2008/0000826 A1 1/2008 Harder et al.
 2008/0010959 A1 1/2008 Gillingham et al.
 2008/0066434 A1 3/2008 Kuempel et al.
 2008/0110142 A1 5/2008 Nelson et al.
 2008/0110822 A1 5/2008 Chung et al.
 2008/0115758 A1 5/2008 Engelland et al.
 2008/0209874 A1 9/2008 Gieseke et al.
 2008/0216654 A1 9/2008 Wagner et al.
 2008/0250763 A1 10/2008 Widerski et al.
 2008/0250766 A1 10/2008 Schrage et al.
 2008/0282890 A1 11/2008 Rocklitz et al.
 2008/0307759 A1 12/2008 Reichter et al.
 2009/0064646 A1 3/2009 Reichter et al.
 2009/0064860 A1 3/2009 Sporre et al.
 2009/0102094 A1 4/2009 Golden et al.
 2009/0127211 A1 5/2009 Rocklitz et al.
 2009/0145093 A1 6/2009 Krisko et al.
 2009/0151311 A1 6/2009 Reichter et al.
 2009/0199524 A1 8/2009 Gillingham et al.
 2009/0211450 A1 8/2009 Mosset et al.
 2009/0211696 A1 8/2009 Moe et al.
 2009/0223187 A1 9/2009 Nelson et al.
 2009/0229458 A1 9/2009 Feddersen et al.
 2009/0241494 A1 10/2009 Schrage et al.
 2009/0266041 A1 10/2009 Schrage et al.
 2009/0301045 A1 12/2009 Nelson et al.
 2010/0018175 A1 1/2010 Nelson
 2010/0032365 A1 2/2010 Moe et al.
 2010/0043366 A1 2/2010 Boehrs et al.
 2010/0064645 A1 3/2010 Chung et al.
 2010/0078379 A1 4/2010 Rocklitz
 2010/0095642 A1 4/2010 Nepsund et al.
 2010/0107577 A1 5/2010 Krisko et al.
 2010/0115897 A1 5/2010 Krisko et al.
 2010/0132321 A1 6/2010 Nepsund et al.
 2010/0139629 A1 6/2010 Engelland et al.
 2010/0146919 A1 6/2010 Nelson et al.
 2010/0170209 A1 7/2010 Nelson et al.
 2010/0178507 A1 7/2010 Ferrer et al.
 2010/0186358 A1 7/2010 Xu et al.
 2010/0212271 A1 8/2010 Gieseke et al.
 2010/0233048 A1 9/2010 Dallas et al.
 2010/0236201 A1 9/2010 Kuempel et al.
 2010/0263337 A1 10/2010 Raether et al.
 2010/0293906 A1 11/2010 Flagstad et al.
 2011/0041692 A1 2/2011 Raether
 2011/0067369 A1 3/2011 Chung et al.
 2011/0072972 A1 3/2011 Raether et al.
 2011/0078985 A1 4/2011 Belcher et al.
 2011/0083408 A1 4/2011 Raether et al.
 2011/0083559 A1 4/2011 Raether

FOREIGN PATENT DOCUMENTS

WO WO 2005/082484 A1 9/2005
 WO WO 2006/014941 A2 2/2006
 WO WO 2007/009039 A1 1/2007
 WO WO 2007/149561 A2 12/2007
 WO WO 2008/045325 A2 4/2008
 WO WO 2009/012189 A2 1/2009
 WO WO 2009/039285 A1 3/2009
 WO WO 2009/059177 A1 5/2009
 WO WO 2009/100115 A2 8/2009
 WO WO 2009/124284 A2 10/2009
 WO WO 2010/011628 A2 1/2010
 WO WO 2010/025385 A1 3/2010
 WO WO 2010/054218 A1 5/2010
 WO WO 2010/083194 A2 7/2010
 WO WO 2010/114906 A1 10/2010
 WO WO 2010/114911 A1 10/2010
 WO WO 2011/017352 A2 2/2011

* cited by examiner

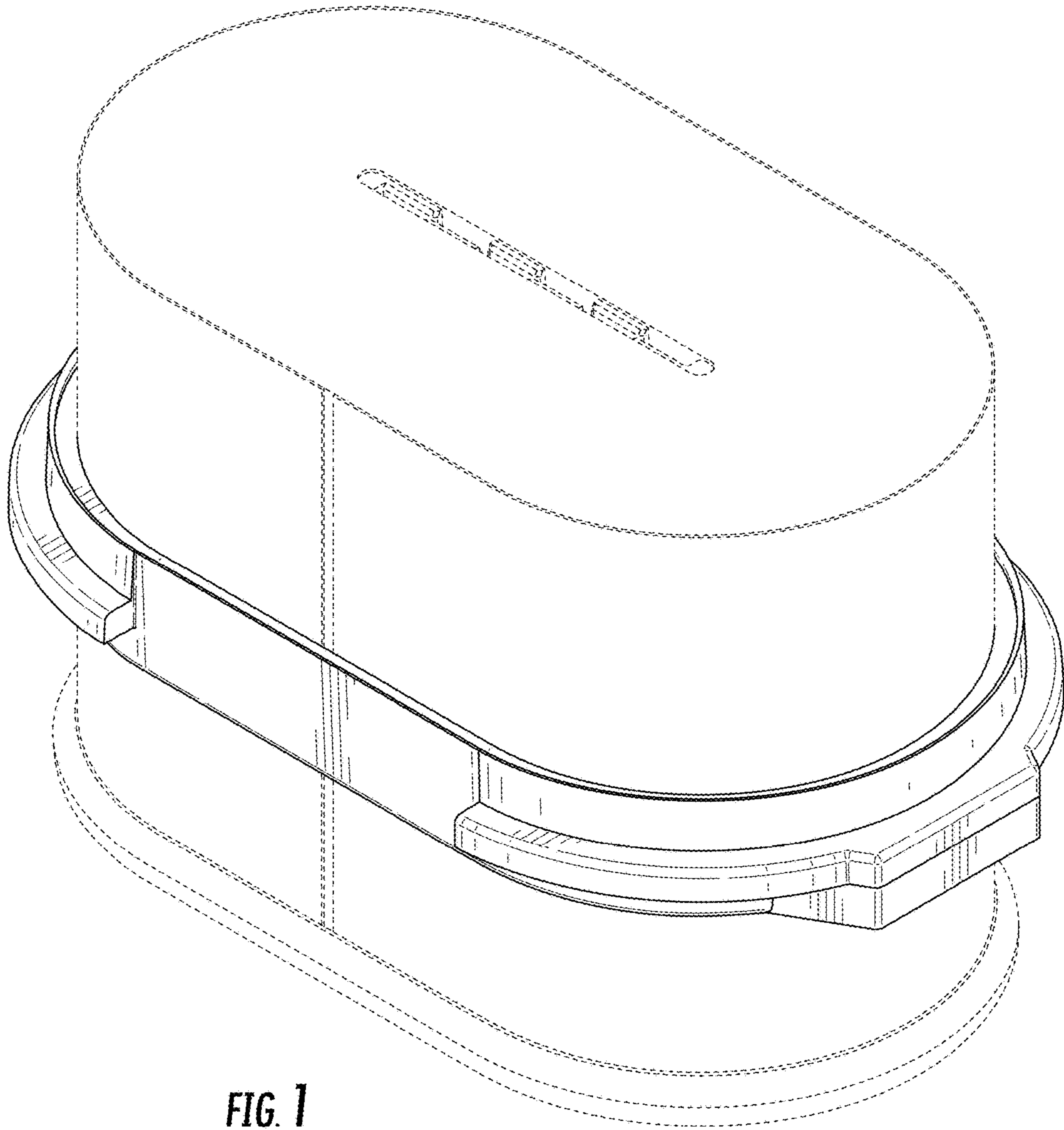


FIG. 1

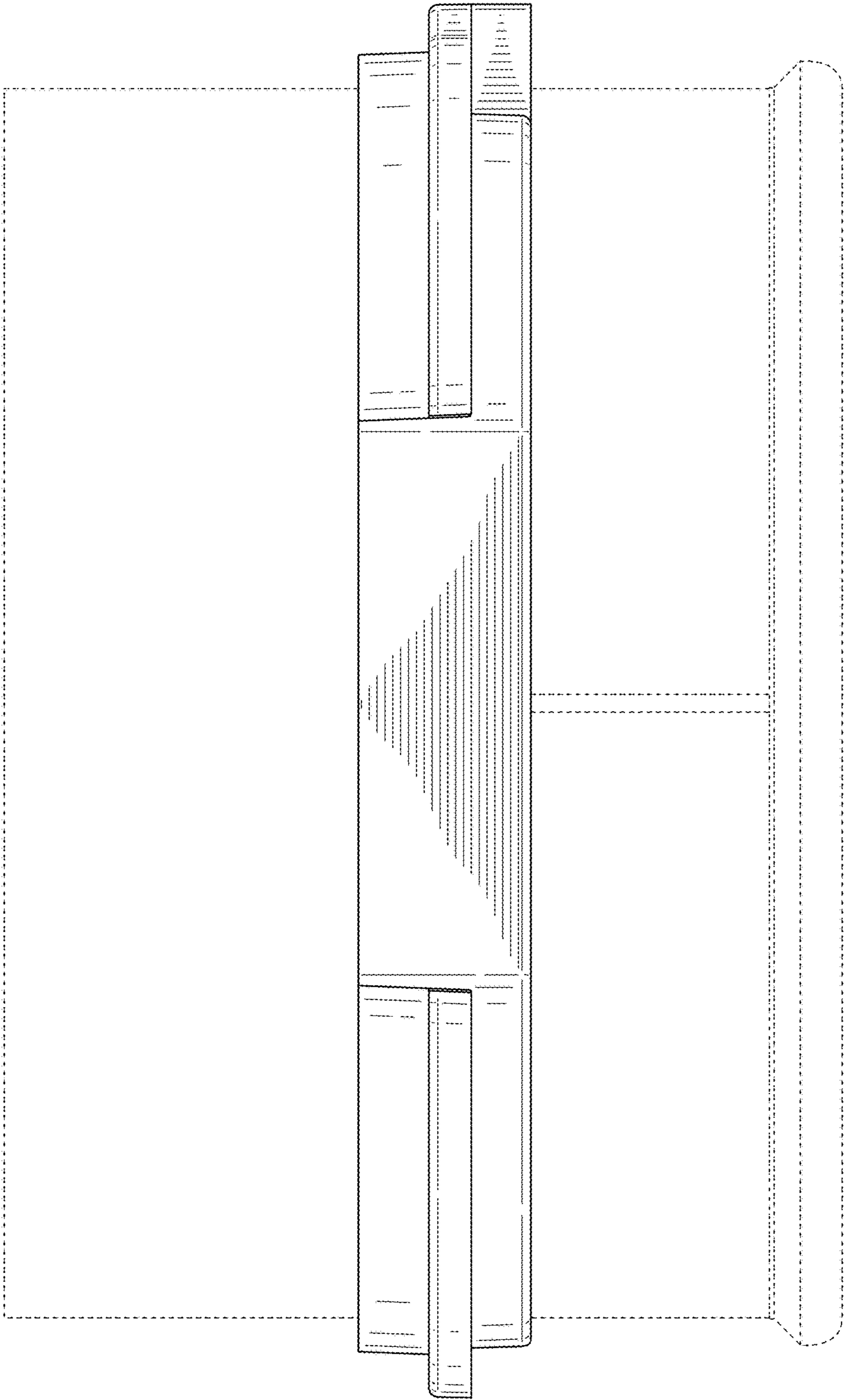


FIG. 2

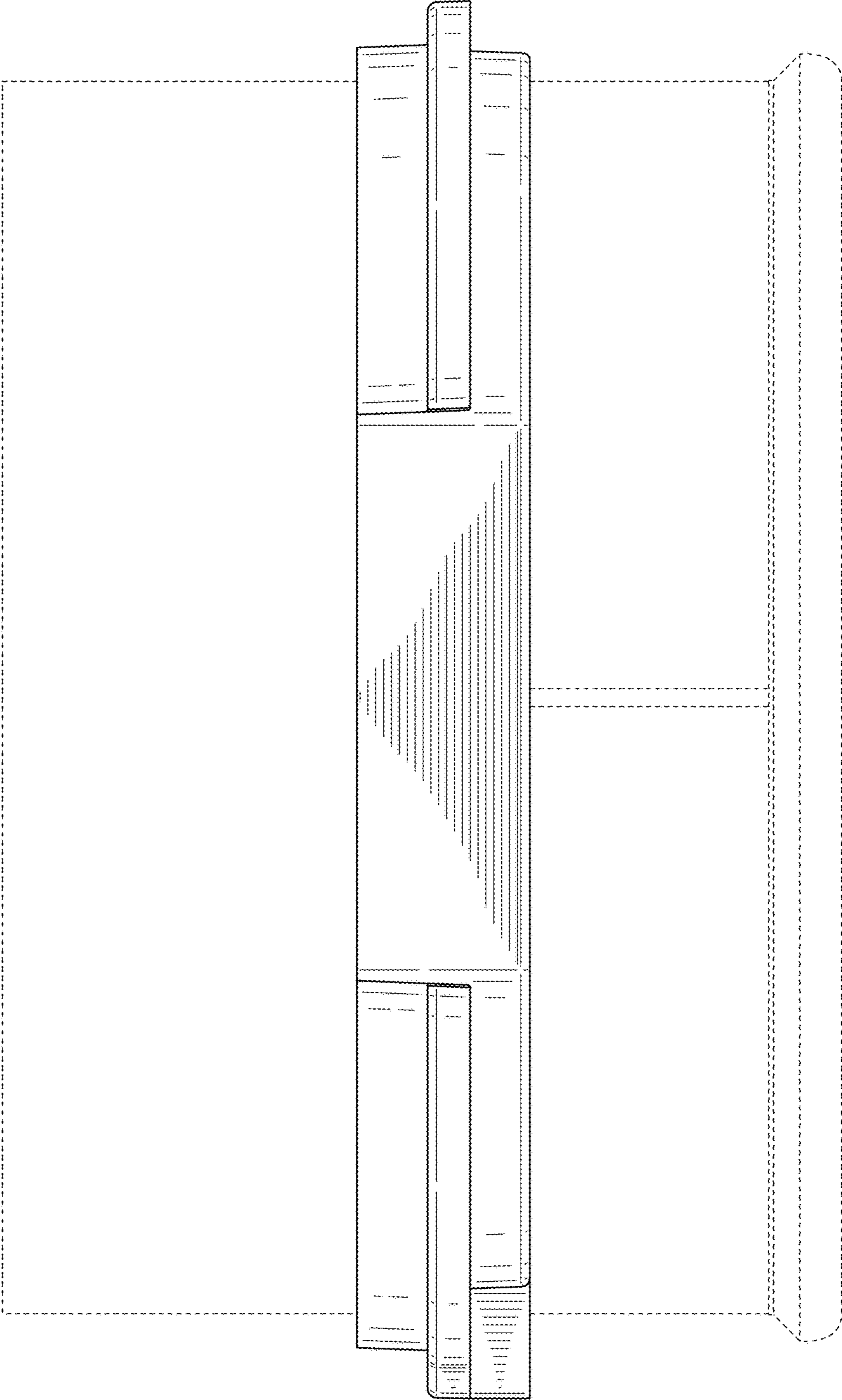


FIG. 3

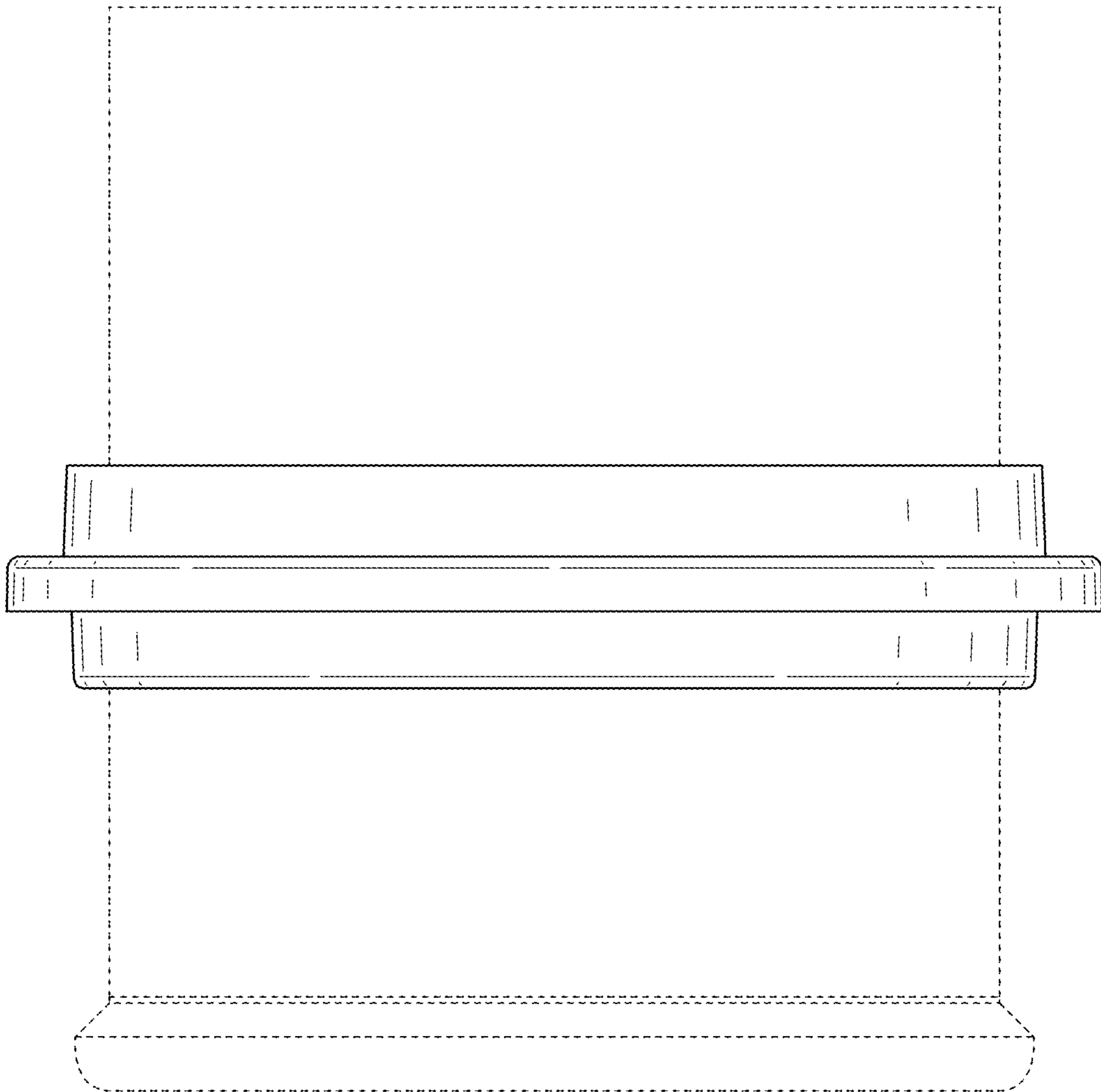


FIG. 4

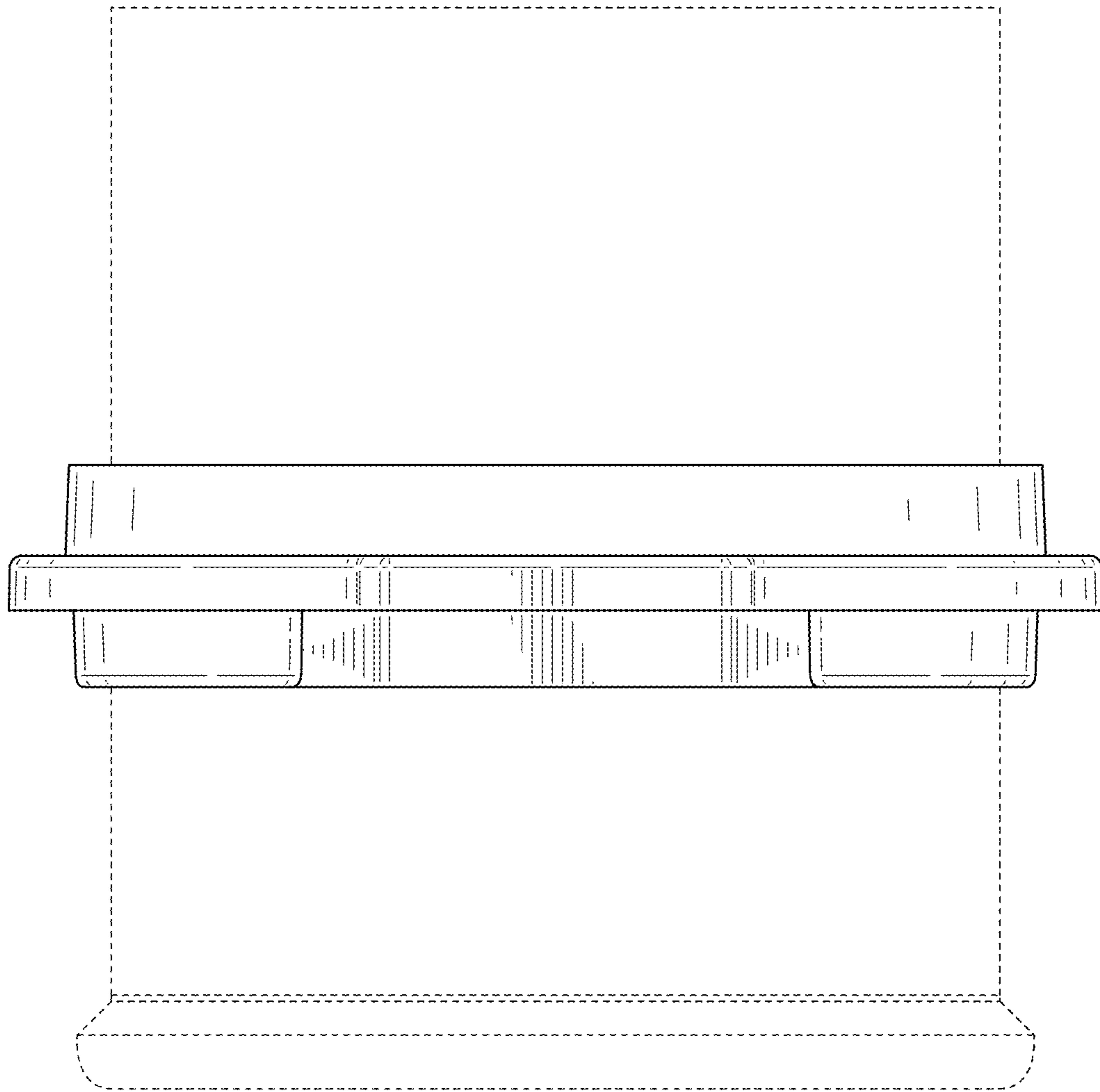


FIG. 5

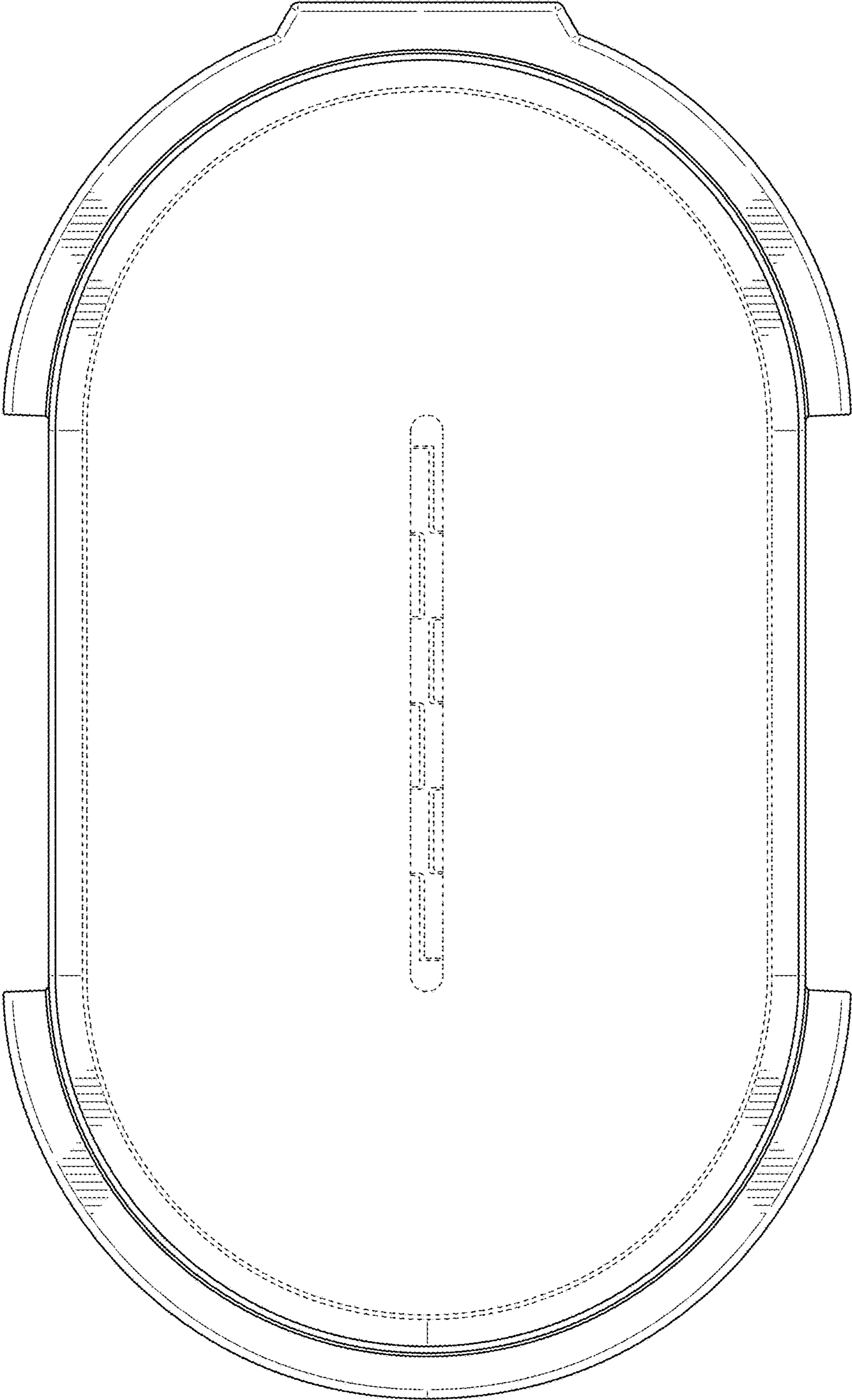


FIG. 6

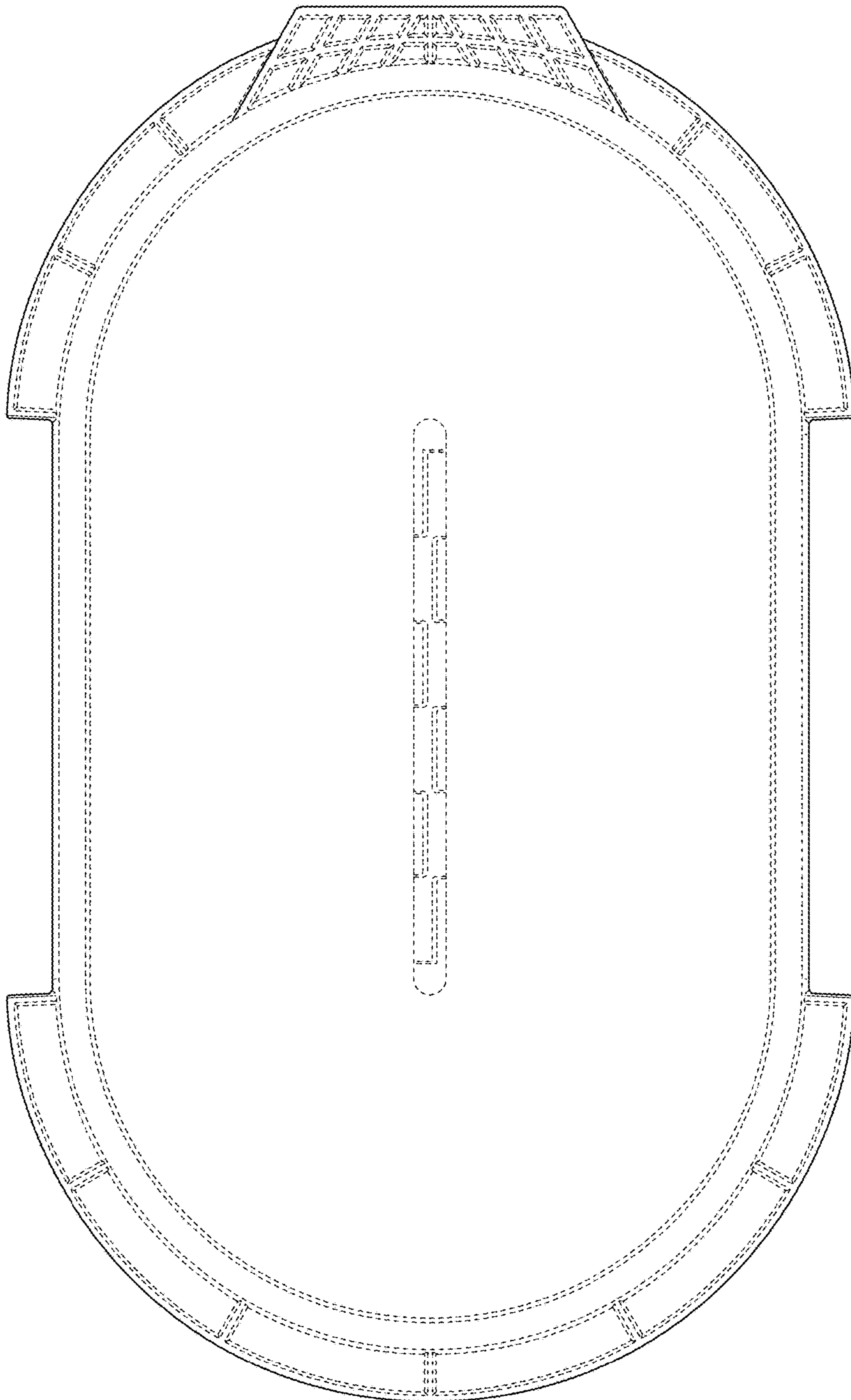


FIG. 7