



US00D786934S

(12) **United States Design Patent**
Brady et al.

(10) **Patent No.:** **US D786,934 S**
(45) **Date of Patent:** **** May 16, 2017**

- (54) **SUPERCHARGER HOUSING HAVING INTEGRATED COOLING FINS**
- (71) Applicant: **Eaton Corporation**, Cleveland, OH (US)
- (72) Inventors: **Jason A. Brady**, Livonia, MI (US); **Eric J. Locker**, Portage, MI (US); **Vikas Namdeo Khule**, Nagar (IN); **Prachi Girish Bhawe**, Pune (IN); **Rajashekar Gurusiddappa Bagalakoti**, Karnataka (IN); **Ketki Kaulgud**, Pune (IN); **Justin L. Keiffer**, Nashville, MI (US)
- (73) Assignee: **Eaton Corporation**, Cleveland, OH (US)
- (**) Term: **15 Years**
- (21) Appl. No.: **29/544,269**
- (22) Filed: **Nov. 2, 2015**
- (51) **LOC (10) Cl.** **15-01**
- (52) **U.S. Cl.**
USPC **D15/5**
- (58) **Field of Classification Search**
USPC D15/1-5; 123/559.1; 29/888.02; 418/178, 179, 1, 206.5; 415/9, 173.4, 415/174.4; 464/127, 72, 74, 75
CPC F16D 2500/1068; F16D 3/70; F16D 3/64; F16D 3/68; F16D 3/78; F16D 3/12; F16D 41/20; F16D 3/00; F02B 39/12; F02B 39/04; F02B 37/04; F02B 33/38; F02B 33/00; F04C 29/122; F04C 27/005; F04C 18/126; F16C 1/00
See application file for complete search history.

- 7,726,286 B2 6/2010 Prior, II et al.
- 7,765,993 B2* 8/2010 Wu F02M 35/10144 123/559.1
- 8,464,697 B2 6/2013 Ouwenga et al.
- 8,701,635 B2 4/2014 Simons et al.
- D718,043 S 11/2014 Hamburger
- D732,081 S * 6/2015 Northrop D15/4
- 2004/0208770 A1* 10/2004 Prior F04C 18/16 418/201.1
- 2006/0263230 A1* 11/2006 Swartzlander F04C 18/084 418/196

(Continued)

Primary Examiner — T. Chase Nelson
Assistant Examiner — Ania Aman
(74) *Attorney, Agent, or Firm* — Remarck Law Group PLC

(57) **CLAIM**

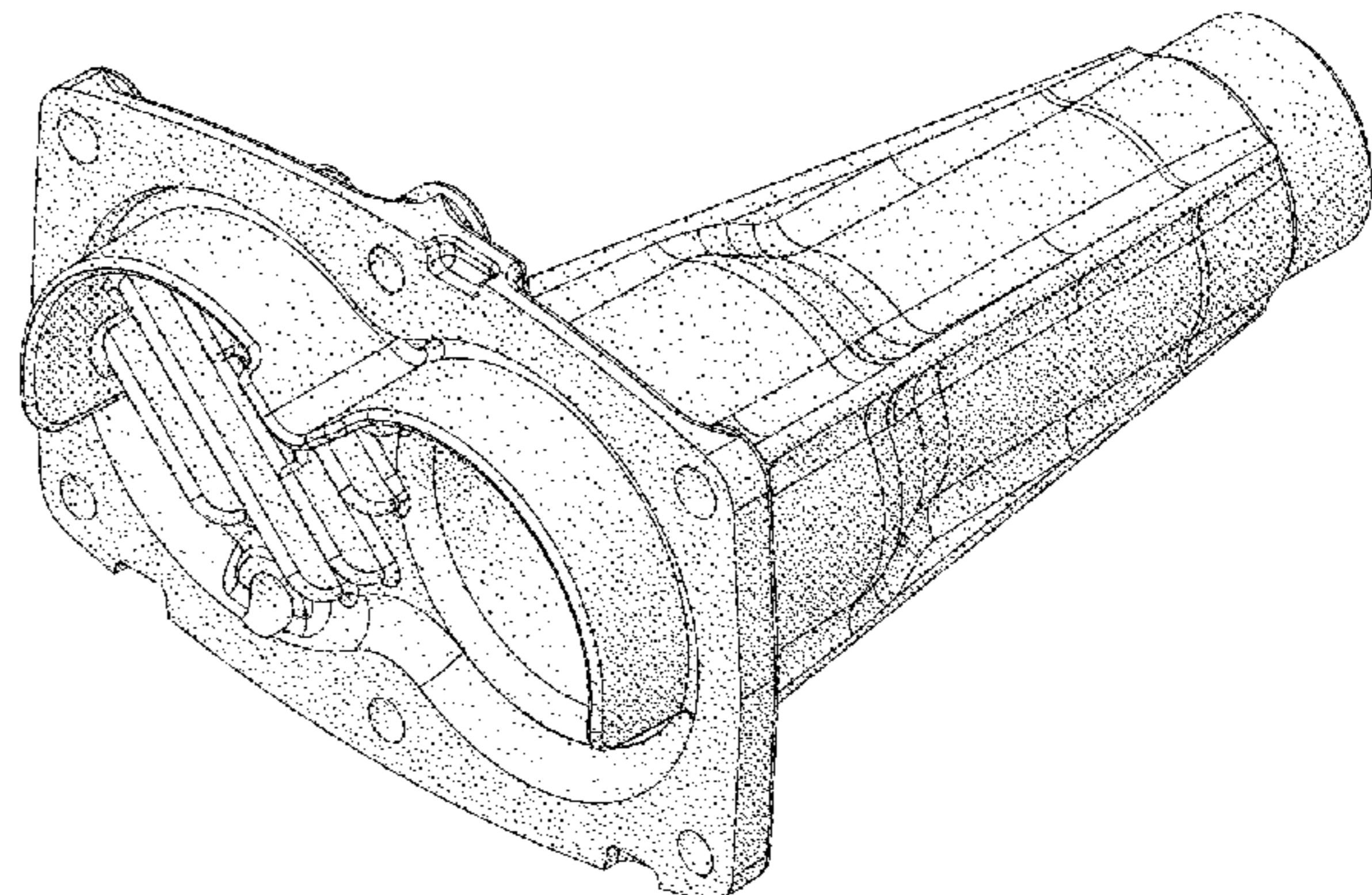
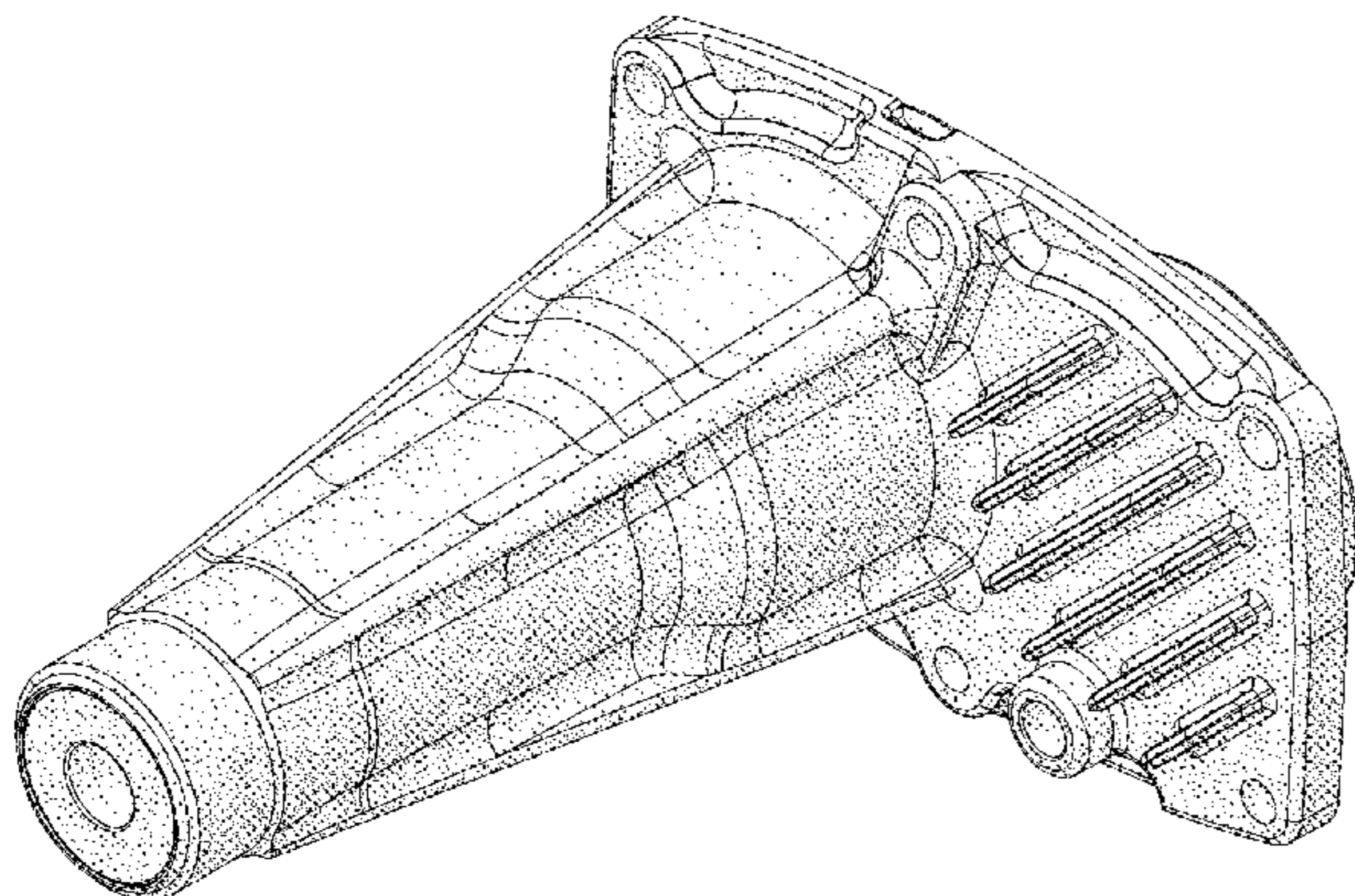
The ornamental design for a supercharger housing having integrated cooling fins, as shown and described.

DESCRIPTION

FIG. 1 is a bottom perspective view of a supercharger housing having integrated cooling fins in accordance with the present teachings.
FIG. 2 is a top perspective view of the supercharger housing having integrated cooling fins of FIG. 1.
FIG. 3 is a bottom view of the supercharger housing having integrated cooling fins of FIG. 1.
FIG. 4 is a top view of the supercharger housing having integrated cooling fins of FIG. 1.
FIG. 5 is a first side view of the supercharger housing having integrated cooling fins of FIG. 1.
FIG. 6 is a second side view of the supercharger housing having integrated cooling fins of FIG. 1.
FIG. 7 is front view of the supercharger housing having integrated cooling fins of FIG. 1; and,
FIG. 8 is a rear view of the supercharger housing having integrated cooling fins of FIG. 1.

1 Claim, 3 Drawing Sheets

- (56) **References Cited**
U.S. PATENT DOCUMENTS
6,994,603 B2 2/2006 Clark et al.
7,604,467 B2 10/2009 Prior



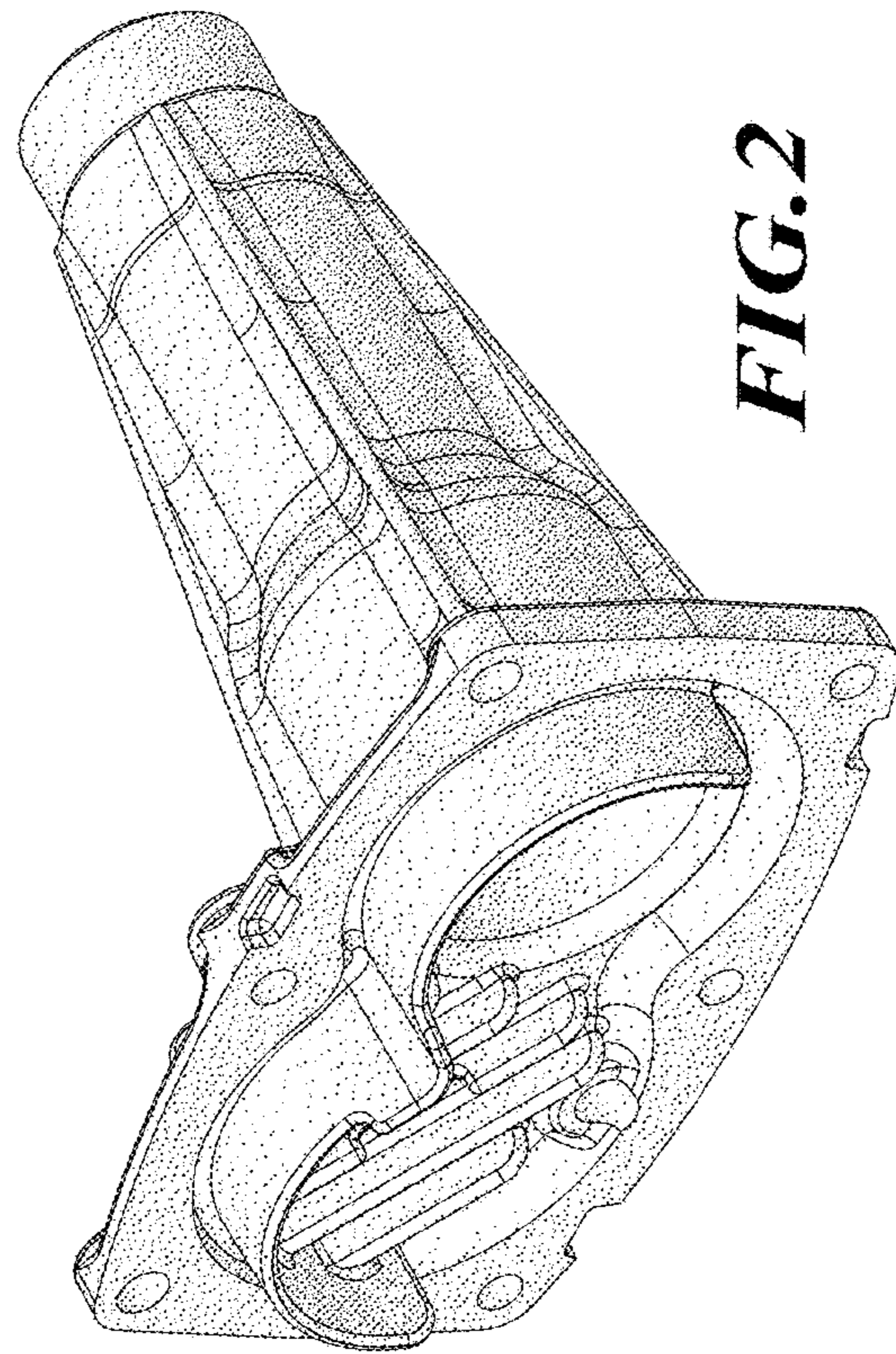
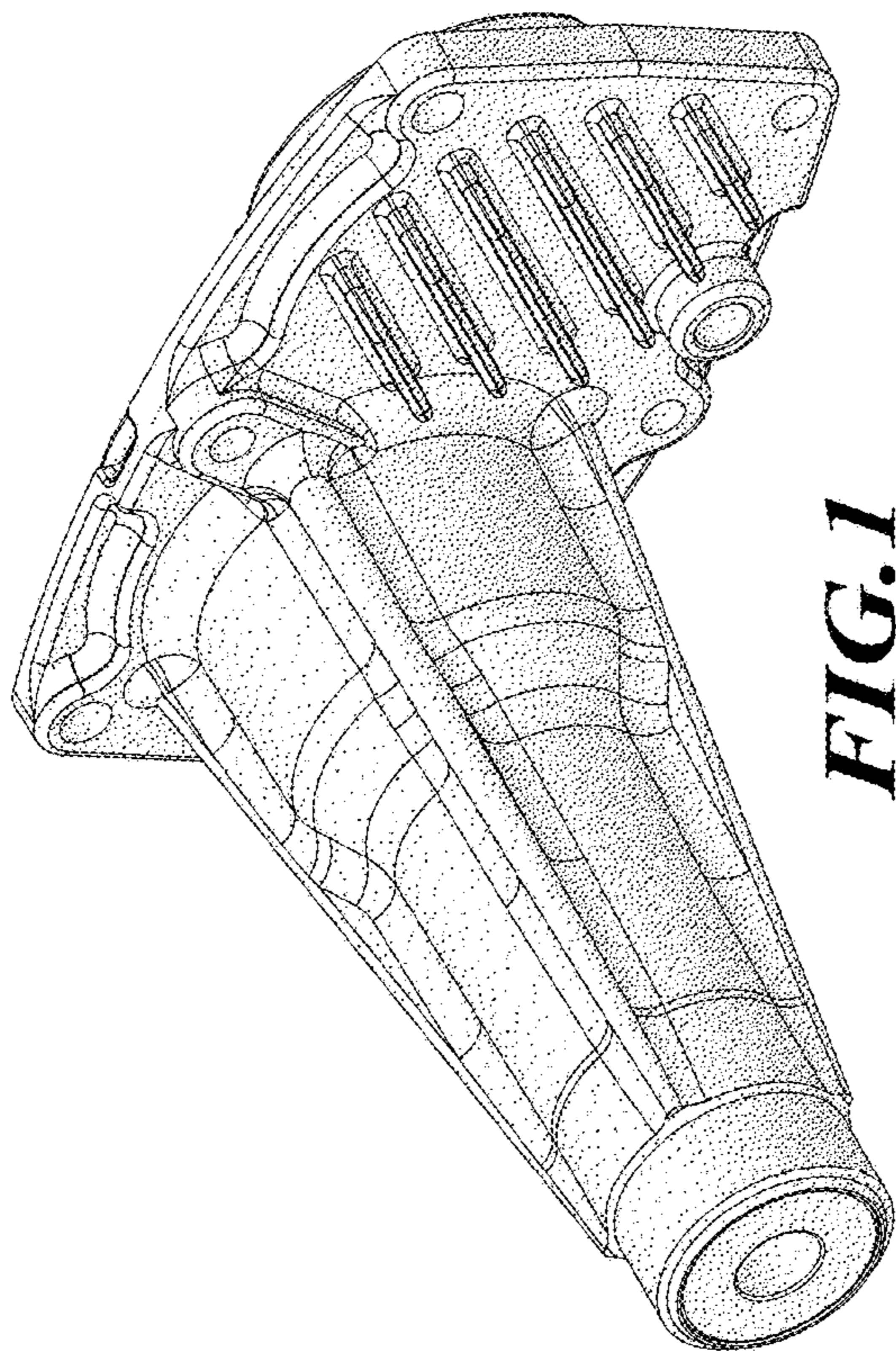
(56)

References Cited

U.S. PATENT DOCUMENTS

2007/0107704 A1* 5/2007 Billings F02B 33/38
 123/559.1
 2008/0271719 A1* 11/2008 Prior F02B 33/40
 123/559.1
 2008/0292452 A1* 11/2008 Prior F04C 18/086
 415/173.4
 2010/0086402 A1* 4/2010 Ouwenga F04C 18/12
 415/224
 2010/0108040 A1 5/2010 Simons et al.
 2011/0150671 A1* 6/2011 Ouwenga F01C 11/008
 417/293
 2012/0020824 A1 1/2012 Huang et al.
 2012/0037473 A1* 2/2012 Ouwenga F02B 33/38
 192/84.9
 2014/0017101 A1 1/2014 Staley
 2015/0132171 A1* 5/2015 Knutsson F04C 18/107
 418/201.1
 2015/0252719 A1* 9/2015 Pryor F04C 18/16
 92/177
 2016/0003129 A1* 1/2016 Swartzlander F04C 28/10
 418/1
 2016/0003249 A1* 1/2016 Ouwenga F04C 27/005
 418/1
 2016/0003250 A1* 1/2016 McWilliams F02B 33/38
 418/206.2
 2016/0222876 A1* 8/2016 Ouwenga F02B 33/38

* cited by examiner



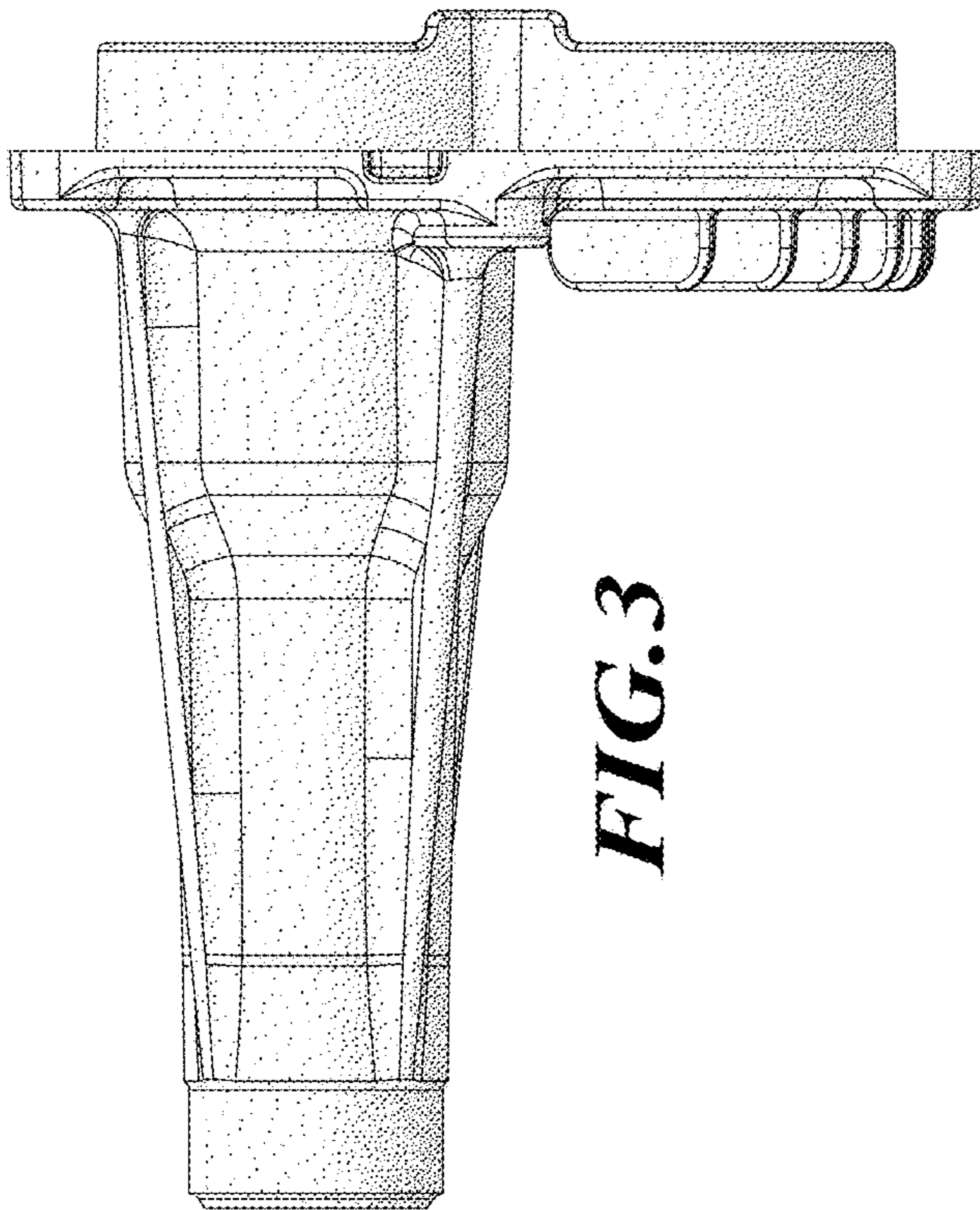


FIG. 3

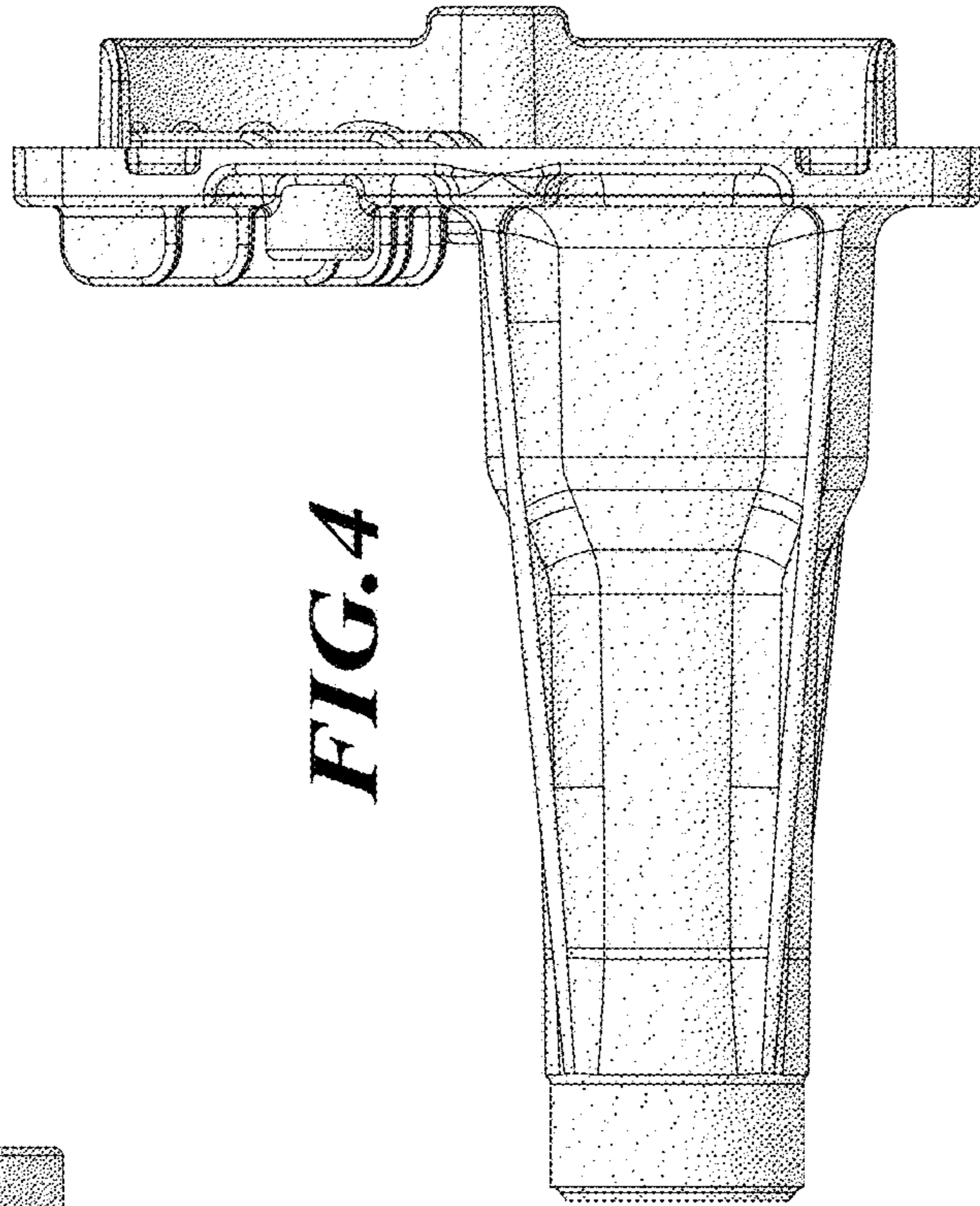


FIG. 4

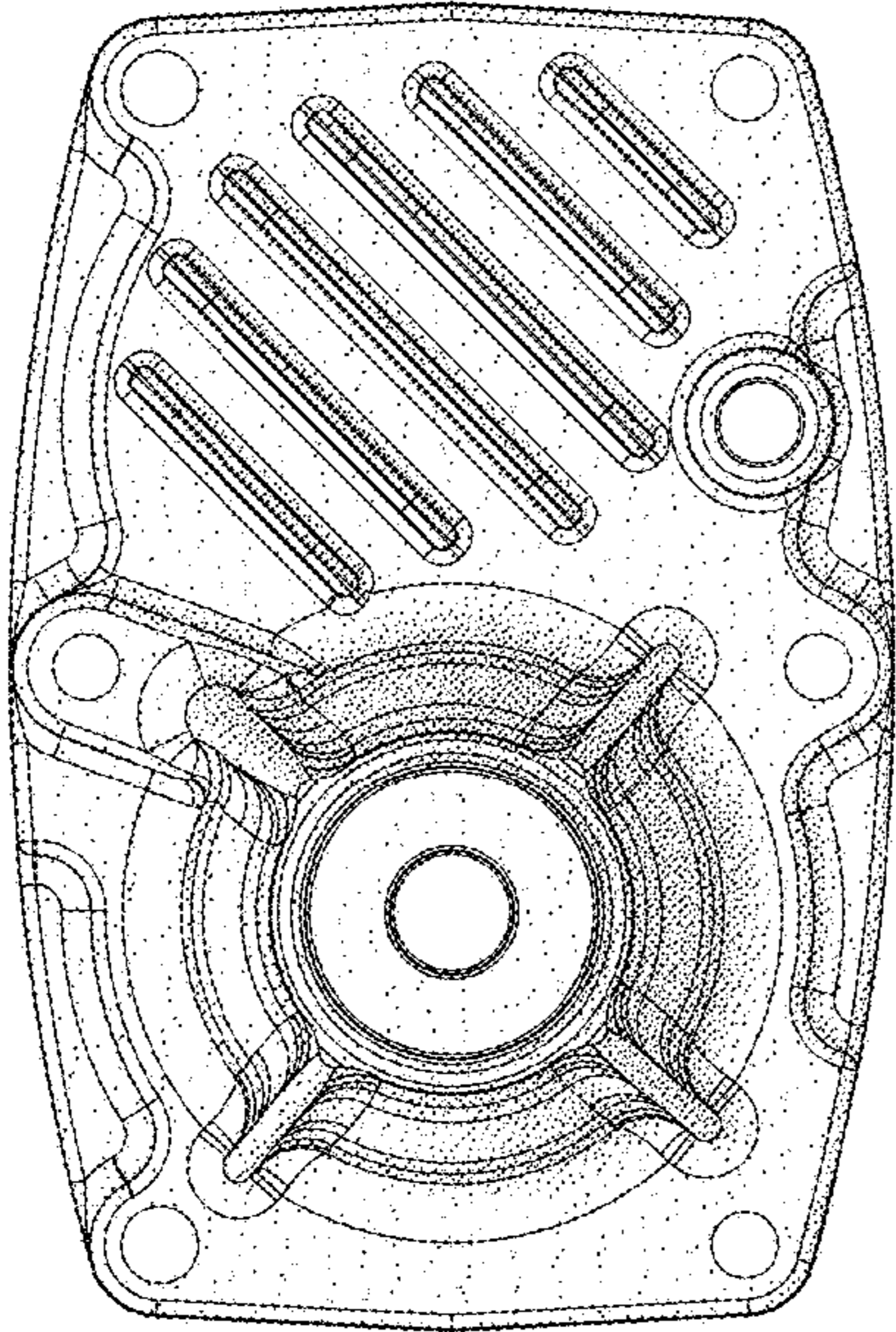


FIG. 7

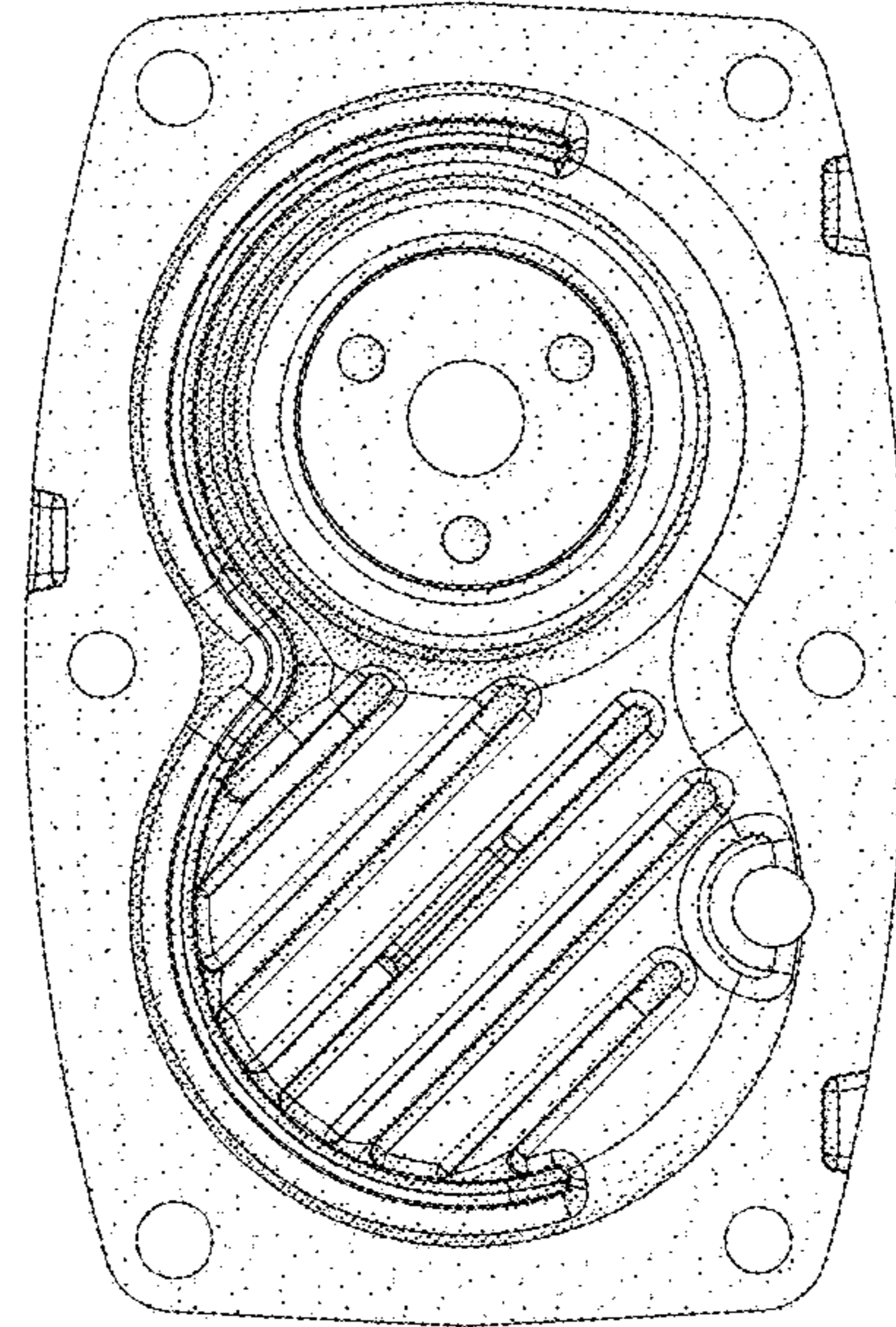


FIG. 8

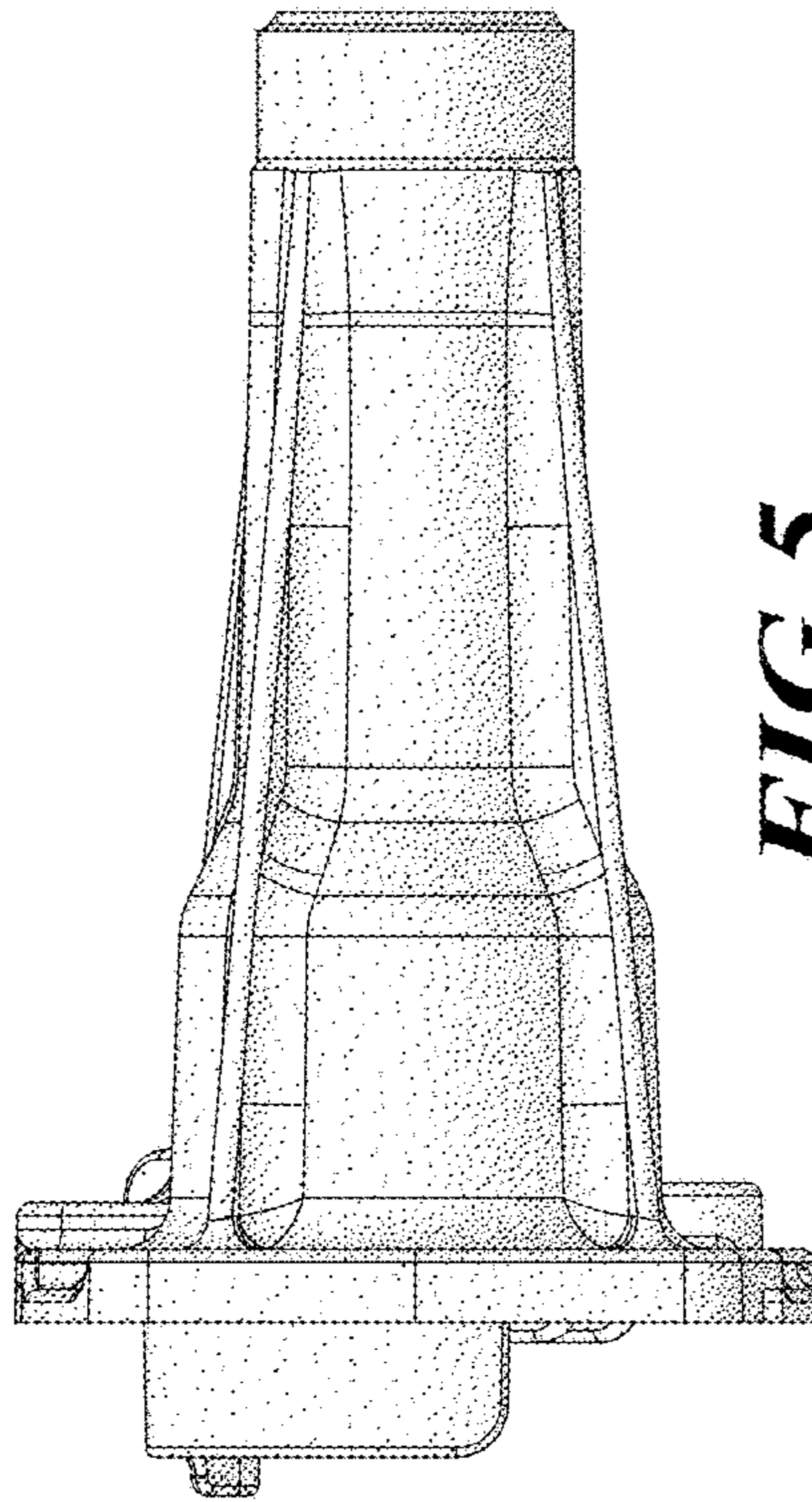


FIG. 5

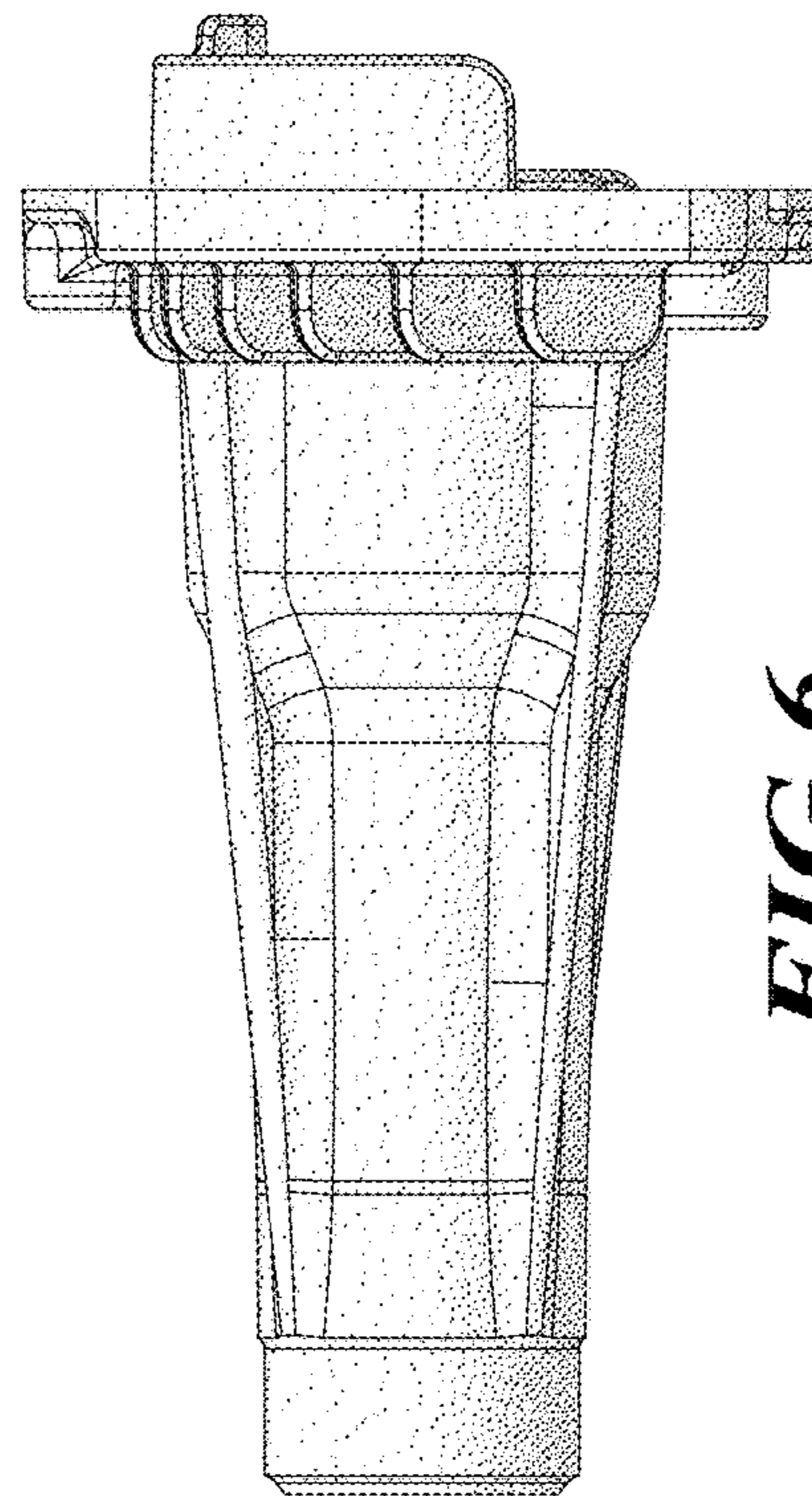


FIG. 6