



US00D786926S

(12) **United States Design Patent** (10) **Patent No.:** **US D786,926 S**
Jang et al. (45) **Date of Patent:** **** May 16, 2017**

(54) **DISPLAY SCREEN OR PORTION THEREOF WITH ICON**

(71) Applicant: **Samsung Electronics Co., Ltd.**, Suwon-si (KR)

(72) Inventors: **Youngshil Jang**, Yongin-si (KR); **Eunjoon Lee**, Hwaseong-si (KR)

(73) Assignee: **Samsung Electronics Co., Ltd.**, Suwon-si (KR)

(**) Term: **15 Years**

(21) Appl. No.: **29/560,258**

(22) Filed: **Apr. 5, 2016**

(30) **Foreign Application Priority Data**

Dec. 30, 2015 (KR) 30-2015-0067180

(51) **LOC (10) Cl.** **14-04**

(52) **U.S. Cl.**
USPC **D14/492**

(58) **Field of Classification Search**
USPC D14/485-495
CPC G06F 3/0481; G06F 3/04817
See application file for complete search history.

(56) **References Cited**

U.S. PATENT DOCUMENTS

- D390,548 S * 2/1998 Maekawa D14/488
- 6,034,678 A * 3/2000 Hoarty G06F 3/04815
348/E5.105
- D452,692 S * 1/2002 Fukuda D14/489
- D593,571 S * 6/2009 Ball D14/485
- D606,552 S * 12/2009 Kocmick D14/492
- D670,310 S * 11/2012 Saito D14/489
- D681,673 S * 5/2013 Phelan D14/492
- D687,067 S * 7/2013 Jang D14/492
- D706,295 S * 6/2014 Daniel D14/489

- D724,607 S * 3/2015 Wilson D14/486
- D730,934 S * 6/2015 Nagaoka D14/489
- D749,092 S * 2/2016 Lee D14/485
- D762,225 S * 7/2016 Cao D14/485
- D764,502 S * 8/2016 Dimmler D14/486
- D765,111 S * 8/2016 Cole D14/486
- 9,459,767 B2 * 10/2016 Cockcroft G06F 17/30873
- D775,207 S * 12/2016 Vulk D14/492
- 2013/0043992 A1 * 2/2013 Mayer-Sommer G08B 21/24
340/539.11
- 2014/0288680 A1 * 9/2014 Hoffman G06K 9/00342
700/91
- 2015/0052483 A1 * 2/2015 Gire G06Q 30/0631
715/825

(Continued)

OTHER PUBLICATIONS

Clipart of a retro vintage black and white letter L and engagement ring, posted at ClipartOf, posting date Oct. 24, 2013. [online], [site visited Jan. 5, 2017]. Available from Internet, <URL: <http://www.clipartof.com/portfolio/prawny-vintage/illustration/retro-vintage-black-and-white-letter-l-and-engagement-ring-1180720.html>>.*

(Continued)

Primary Examiner — Kevin Rudzinski
Assistant Examiner — Kathleen Jones
(74) *Attorney, Agent, or Firm* — NSIP Law

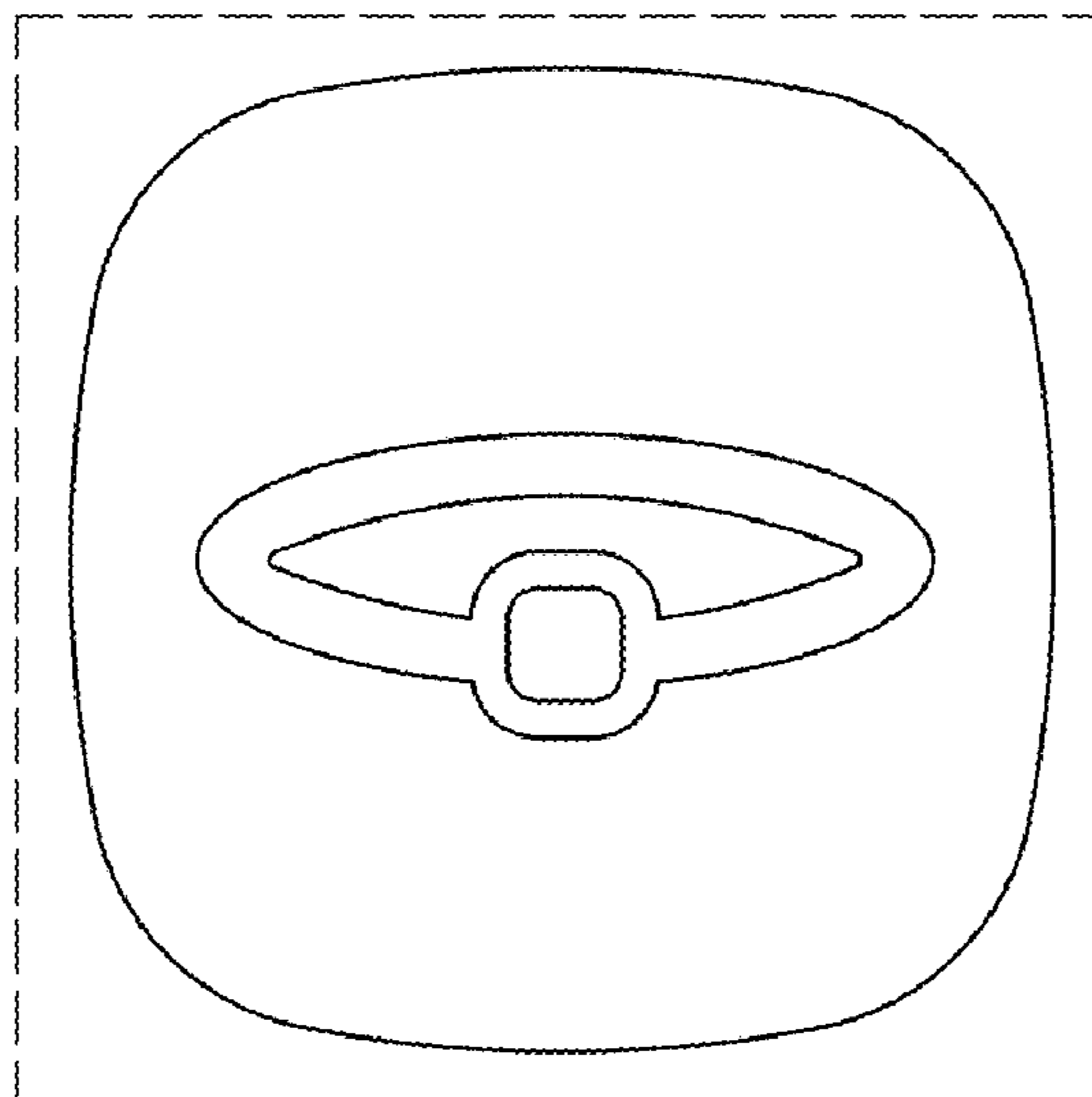
(57) **CLAIM**

We claim the ornamental design for a display screen or portion thereof with icon, as shown and described.

DESCRIPTION

The sole FIGURE is a front view of a display screen or portion thereof with icon showing our new design. The broken line showing of the display screen is for environmental purposes only and forms no part of the claimed design.

1 Claim, 1 Drawing Sheet



(56)

References Cited

U.S. PATENT DOCUMENTS

2016/0170579	A1*	6/2016	Li	G06F 3/0482 715/778
2016/0241767	A1*	8/2016	Cho	H04N 5/23203
2016/0379398	A1*	12/2016	Vaughn	G06F 1/163 345/473
2017/0006346	A1*	1/2017	Ono		

OTHER PUBLICATIONS

Tanyastock, Diamond engagement ring icon, posted at Shutterstock, posting date Jul. 20, 2015. [online], [site visited Jan. 5, 2017]. Available from Internet, <URL: <http://www.shutterstock.com/pic-296637686/stock-photo-diamond-engagement-ring-icon-jewelry-sign-linear-outline-icon-on-white-background-vector.html>>.*

In8finity, Jewelry Icons set, posted at iStock, posting date Nov. 24, 2013. [online], [site visited Jan. 5, 2017]. Available from Internet, <URL: http://www.istockphoto.com/vector/jewelry-icons-set-gm452185335-29991458?st=_p_ring%20icon>.*

Anttohoho, Jewelry icons, posted at iStock, posting date Feb. 8, 2015. [online], [site visited Jan. 5, 2017]. Available from Internet, <URL: http://www.istockphoto.com/vector/stock-vector-illustration-jewelry-icons-gm535397279-57048518?st=_p_ring%20icon>.*

LokFung, Accessories Collection, posted at iStock, posting date Apr. 2, 2013. [online], [site visited Jan. 5, 2017]. Available from

Internet, <URL: http://www.istockphoto.com/vector/accessories-collection-gm165739883-14040509?st=_p_ring%20icon>.*

Tungtiew, Design Studio, posted at Thai Create, posting date Jul. 10, 2014. [online], [site visited Jan. 5, 2017]. Available from Internet, <URL: <http://www.thaicreate.com/php/forum/109869.html>>.*

Ladyluck7711, Engagement Diamond Ring, posted at CanStock, posting date Jan. 8, 2014. [online], [site visited Jan. 5, 2017]. Available from Internet, <URL: <http://www.canstockphoto.com/engagement-diamond-ring-vector-2-17469167.html>>.*

TongSur, Boxing Icons, posted at iStock, posting date Aug. 2, 2015. [online], [site visited Jan. 5, 2017]. Available from Internet, <URL: http://www.istockphoto.com/vector/boxing-icons-light-gm499060563-42626058?st=_p_ring%20icon>.*

Brothers. “Smart watch side view icon. Vector illustration, vector”. [2016] www.colourbox.com Mar. 31, 2016 <<https://www.colourbox.com/vector/smart-watch-side-view-icon-vector-illustration-vector-12645801>[Mar. 31, 2016 오후 3:48:58]>.

Zibreg, Christian “Apple seeds watchOS 2 beta 2 and iOS 9 beta 2 to developers, here’s what’s new” [2015] www.idownloadblog.com Jun. 23, 2015 <<http://www.idownloadblog.com/2015/06/23/apple-watches-2-beta-2/>[Mar. 31, 2016 오후 3:51:39]>.

Tanyastock. “Diamond engagement ring icon. Earrings sign—Stock Illustration” [2016] ko.depositphotos.com Mar. 31, 2016 <<http://ko.depositphotos.com/86665042/stock-illustrations-diamond-engagement-ring-icon-jewelry.html>[Mar. 31, 2016 오후 4:03:36]>.

* cited by examiner

