



US00D786886S

(12) **United States Design Patent**
Herrmann

(10) **Patent No.:** **US D786,886 S**

(45) **Date of Patent:** **** May 16, 2017**

(54) **WEARABLE DEVICE**

(71) Applicant: **Lumdoo Limited**, Kowloon (HK)

(72) Inventor: **Roland Herrmann**, Vienna (AT)

(73) Assignee: **Lumdoo Limited**, Hong Kong (HK)

(**) Term: **15 Years**

(21) Appl. No.: **29/551,128**

(22) Filed: **Jan. 11, 2016**

(30) **Foreign Application Priority Data**

Oct. 6, 2015 (EM) 002812347

(51) **LOC (10) Cl.** **14-99**

(52) **U.S. Cl.**
USPC **D14/480.3**; D11/3

(58) **Field of Classification Search**
USPC D10/30, 31, 32, 38, 39, 46, 70, 128;
D11/1-25; D24/167, 186;
D14/480.1-480.7, 435.1, 411, 433, 436,
D14/484.1, 137, 155, 203.1-203.8, 240,
D14/242

CPC A44C 5/00; A44C 5/12; A44C 5/14; A44C
5/18; A44C 5/147; A44C 5/185; A44C
5/2047; A44C 5/2052; A44C 5/0007;
A44C 5/003; A44C 5/0015; A44C
5/0023; A44C 5/0053; A44C 5/0061;
A44C 5/0069; A44C 5/0076; A44B
11/24; A44B 11/006; G09G 3/38; G06F
1/163; G06Q 50/24; H05K 5/0278; G06K
19/07732

See application file for complete search history.

(56) **References Cited**

U.S. PATENT DOCUMENTS

D553,536 S * 10/2007 Andren D11/3
D556,194 S * 11/2007 Rambosek D11/2
D558,198 S * 12/2007 Blankenship D11/2

D562,371 S * 2/2008 Erickson D11/216
D571,684 S * 6/2008 Kim D11/2
D581,826 S * 12/2008 Molyneux D10/32
D583,815 S * 12/2008 Giovannoni D11/3
D640,367 S * 6/2011 Lin D24/107

(Continued)

OTHER PUBLICATIONS

LeetRocket.com: Das besondere Etwas: USB Armband. [online]
[retrieved on Nov. 2, 2015]. Retrieved from the Internet:
<URL:http://leetrocket.com/das-besondere-etwas-usb-armband/>.

(Continued)

Primary Examiner — Garth Rademaker

Assistant Examiner — Richard Kearney

(74) *Attorney, Agent, or Firm* — Design IP

(57) **CLAIM**

The ornamental design for a wearable device, as shown and described.

DESCRIPTION

FIG. 1 is a perspective view of a wearable device showing my new design.

FIG. 2 is a left side elevation view thereof;

FIG. 3 is a right side elevation view thereof;

FIG. 4 is a top plan view thereof;

FIG. 5 is a bottom plan view thereof;

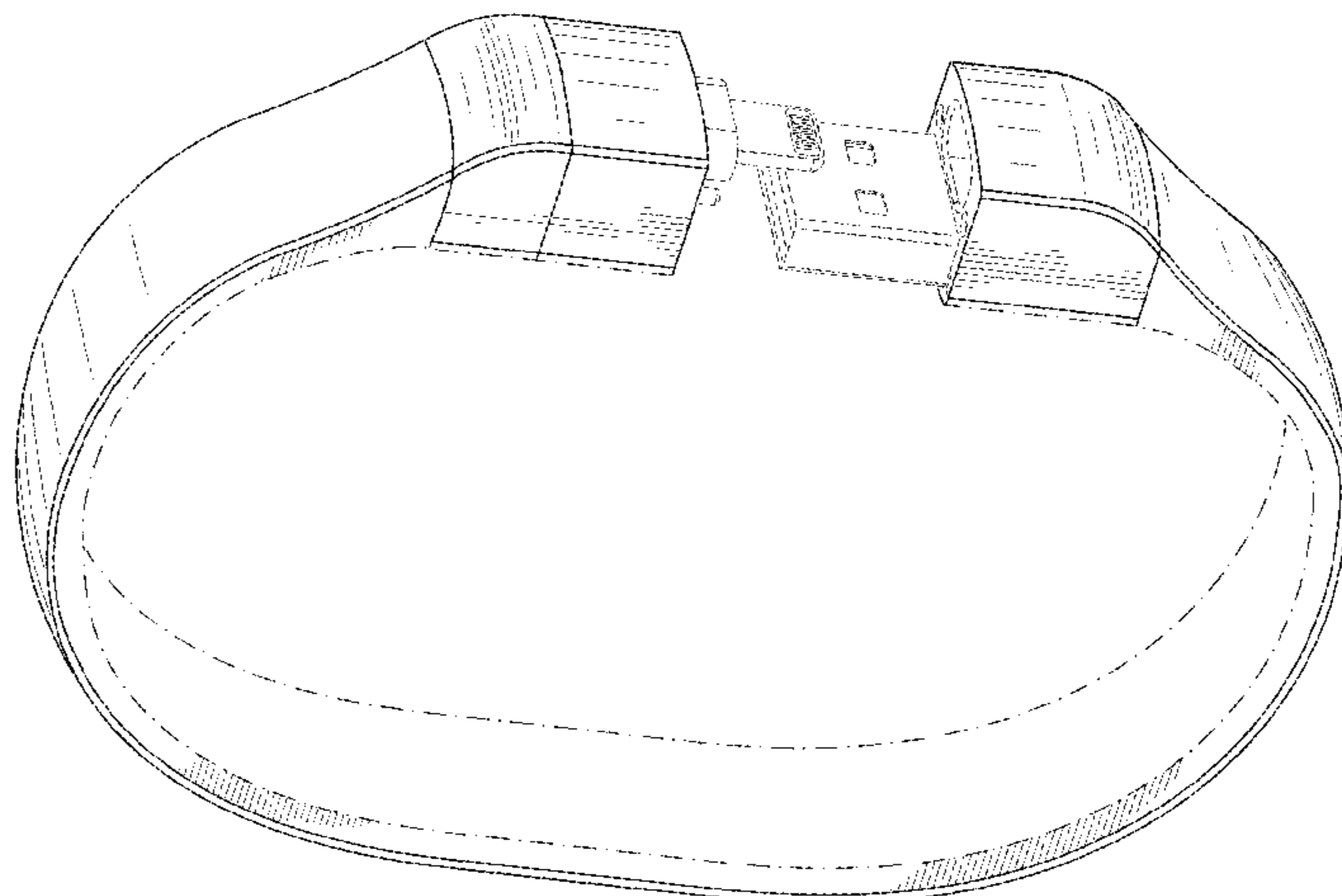
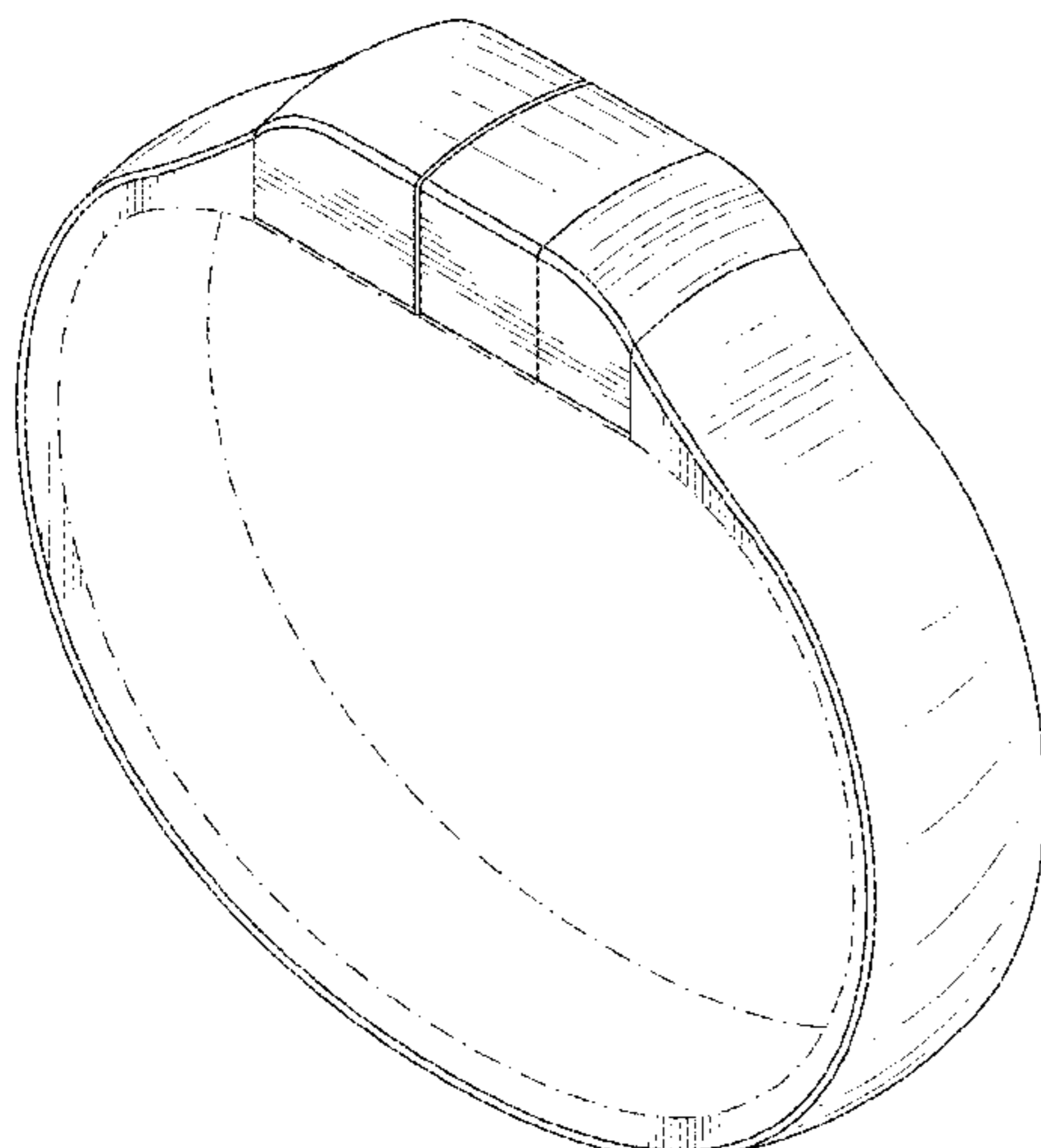
FIG. 6 is a front elevation view thereof;

FIG. 7 is a rear elevation view thereof; and,

FIG. 8 is a perspective view of the wearable device of FIGS. 1-7 in an alternate configuration.

The dash-dot lines shown in FIGS. 1-3 and 8 represent boundary lines between claimed and unclaimed subject matter, and form no part of the claimed design. The dashed lines shown in FIGS. 2, 3 and 8 represent environmental subject matter and form no part of the claimed design. The relatively thin lines in the figures represent contour, not surface ornamentation.

1 Claim, 8 Drawing Sheets



(56)

References Cited

U.S. PATENT DOCUMENTS

8,029,185 B2 * 10/2011 Faucher A44C 5/147
 224/164
 8,296,983 B2 * 10/2012 Padgett A44C 5/0015
 40/633
 8,370,549 B2 * 2/2013 Burton A63B 24/00
 703/1
 D686,217 S * 7/2013 Andre D11/2
 D710,220 S * 8/2014 Daniel D10/104.2
 D730,763 S * 6/2015 Haapakoski D10/70
 D733,604 S * 7/2015 Tan D11/3
 D744,357 S * 12/2015 Behar D10/70
 D752,046 S * 3/2016 Jun D14/344
 2005/0066563 A1 * 3/2005 Juhan G09F 3/005
 40/633
 2006/0219742 A1 * 10/2006 Chen A44C 5/003
 224/148.4
 2006/0261958 A1 * 11/2006 Klein A01K 11/006
 340/572.8
 2015/0268718 A1 * 9/2015 Fujii G06F 3/011
 340/5.51

OTHER PUBLICATIONS

USB-sticks.de: Cocos USB-Lederarmband mit Logodruck. [online]
 [retrieved on Nov. 2, 2015]. Retrieved from the
 Internet:<URL:http://www.usb-sticks.de/cocos_usb-armband_
 leder.html>.
 Amazon.com: bracelet charger. [online] [retrieved on Nov. 2, 2015].
 Retrieved on the Internet: <URL:http://www.amazon.com/s/
 ref=nb_sb_noss_2?url=search-alias%3Dmobile&field-
 keywords=bracelet+charger.
 Entrusters.com: Okray flat bracelet micro. [online] [retrieved on
 Jan. 7, 2016]. Retrieved on the Internet: <URL:https://entrusters.
 com/shop/product?asin=BOOZI6WLVM
 &keyword=OKRAY+Flat+Bracelet+Micro+USB+2.
 0+Sync+and+Charging+Data+Cable+%280.
 72+feet%29+%28Pack+of+6%29.

* cited by examiner

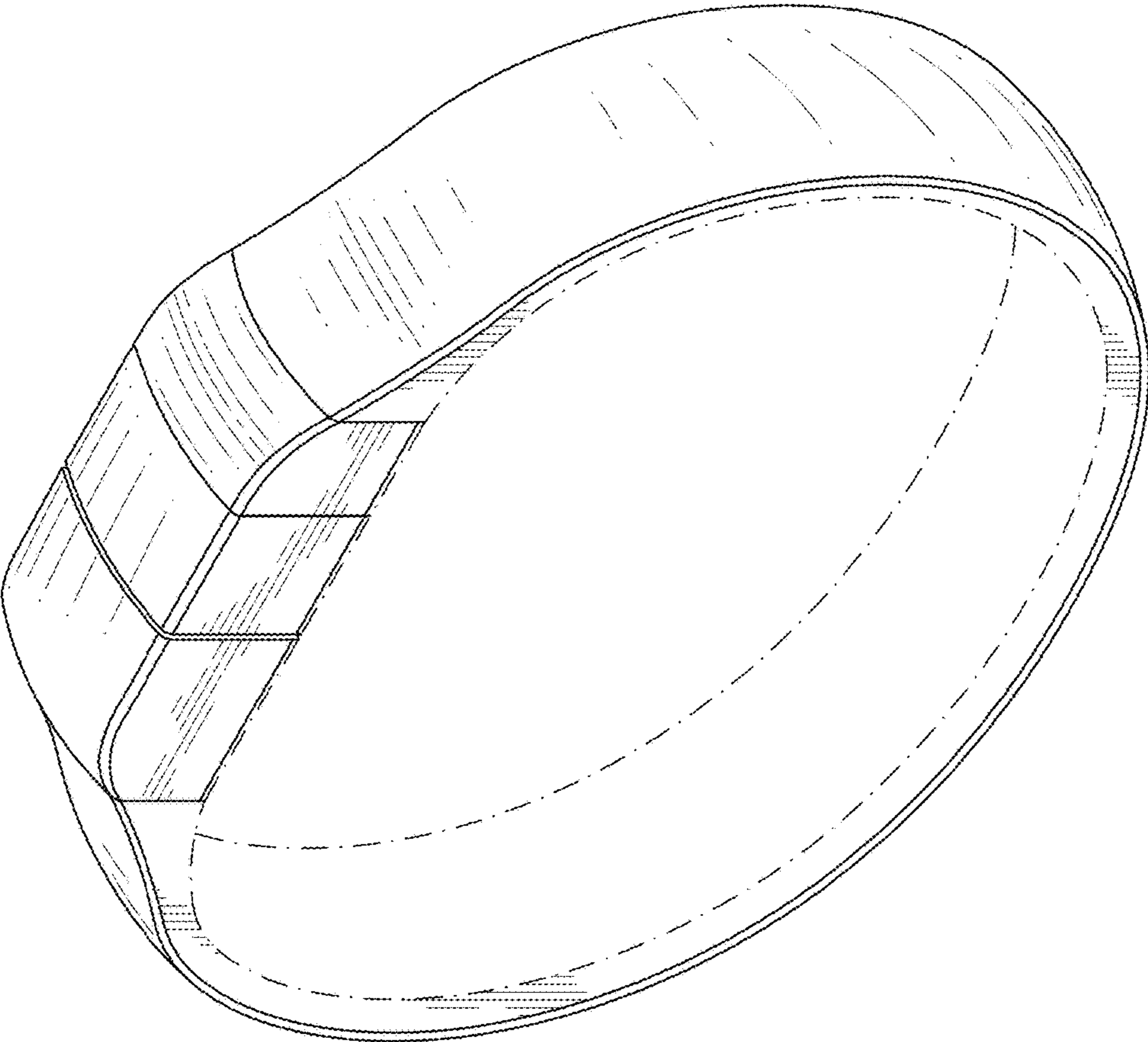


FIG.1

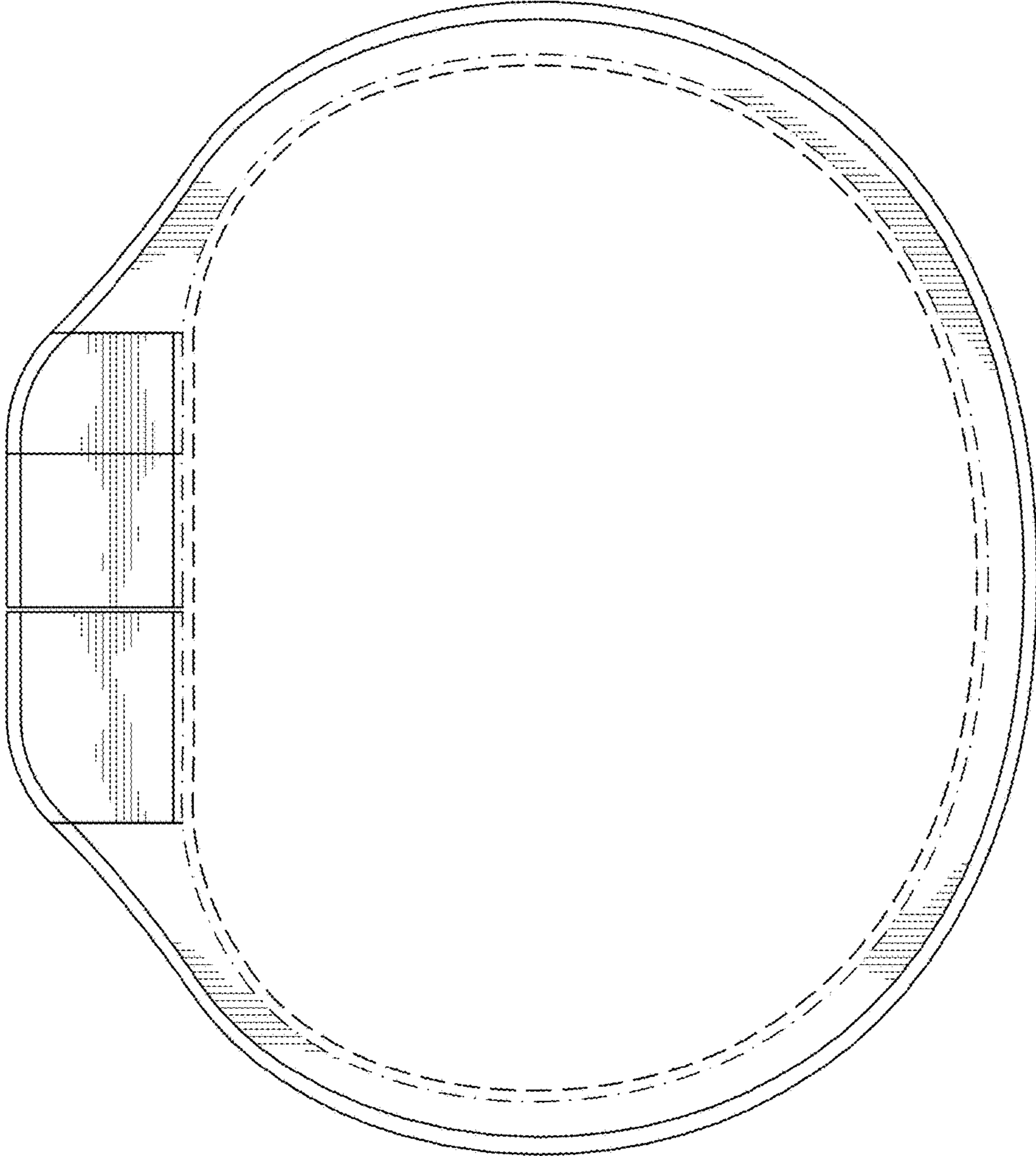


FIG.2

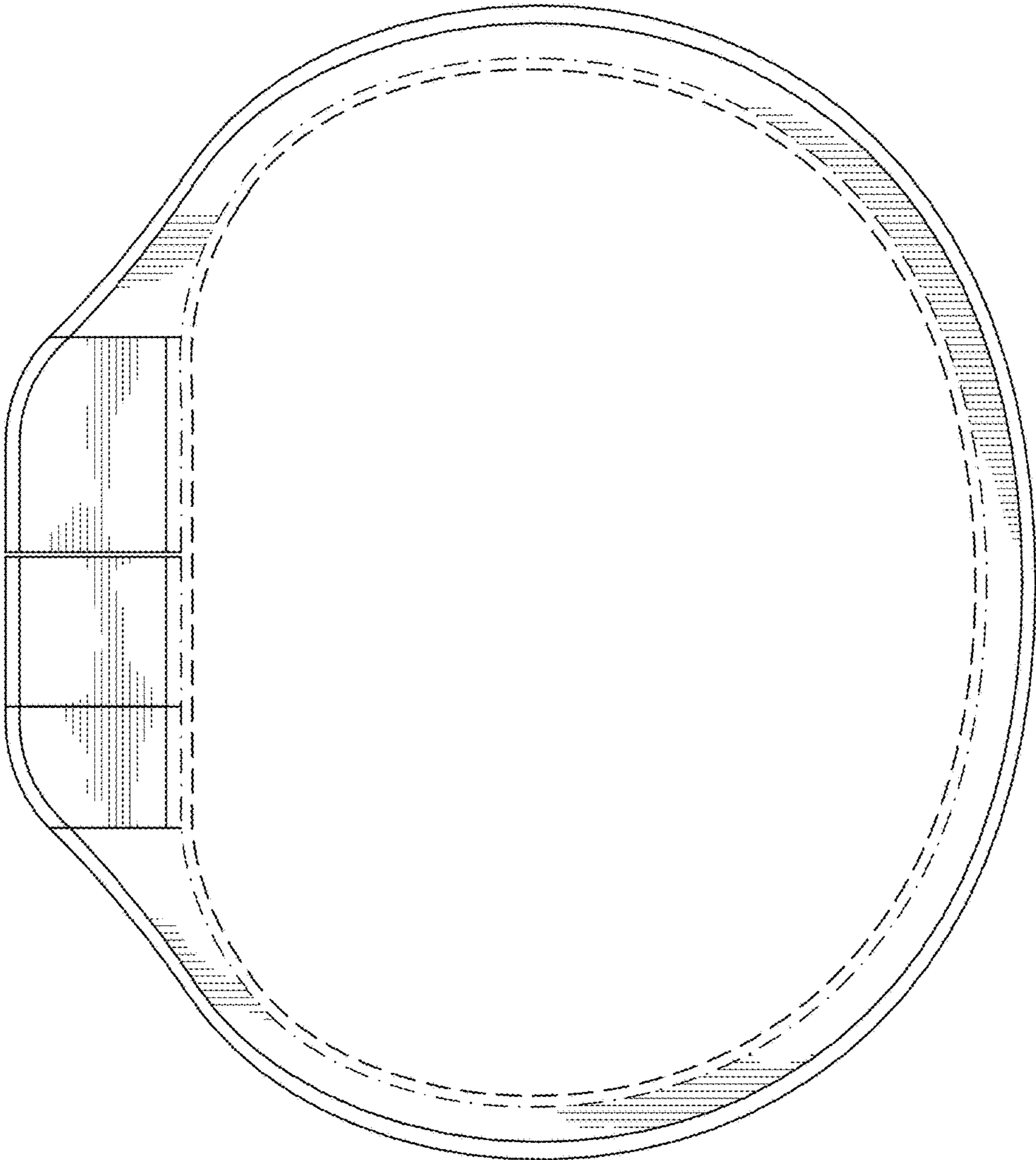


FIG. 3

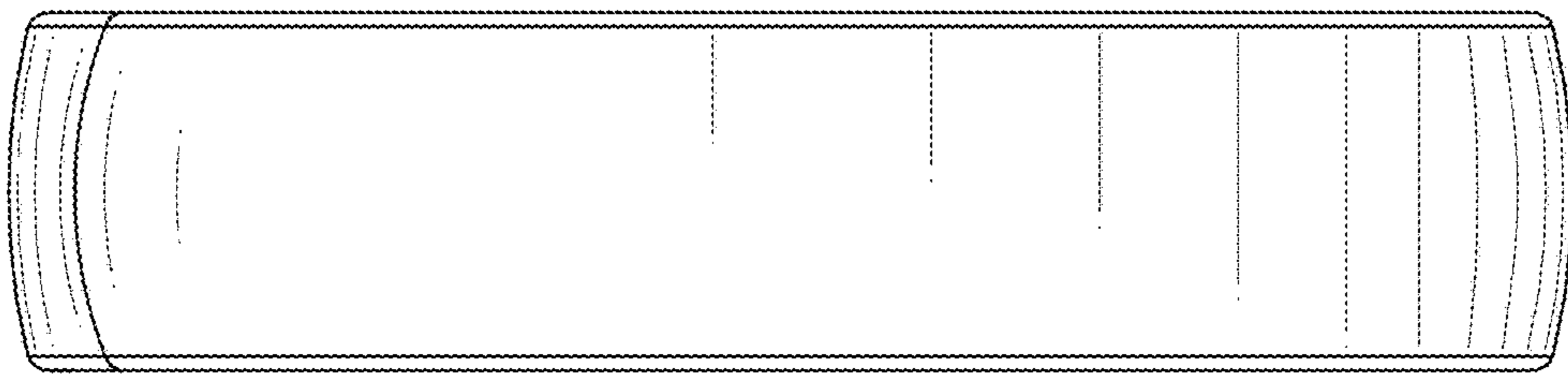


FIG.4

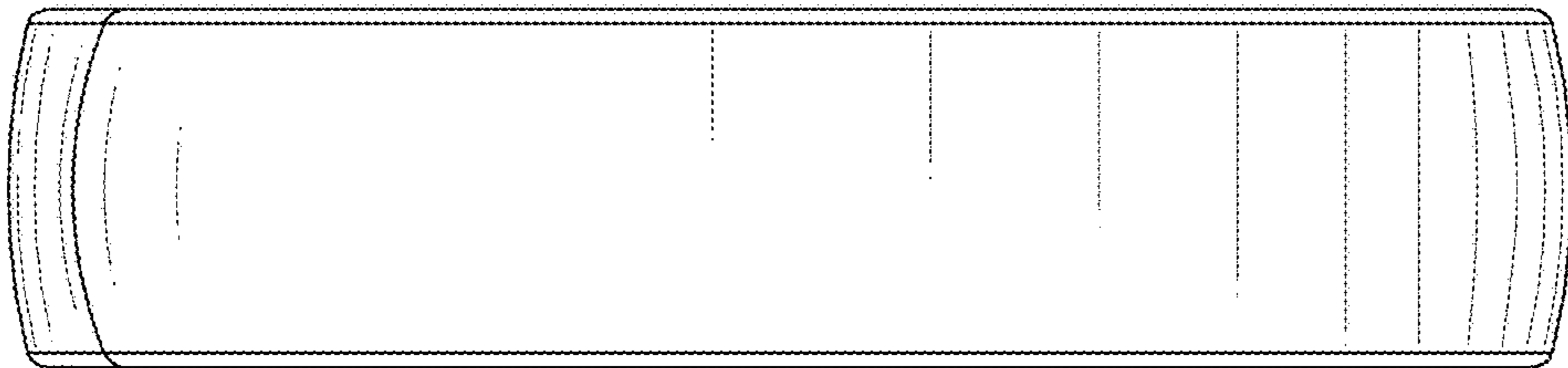


FIG. 5

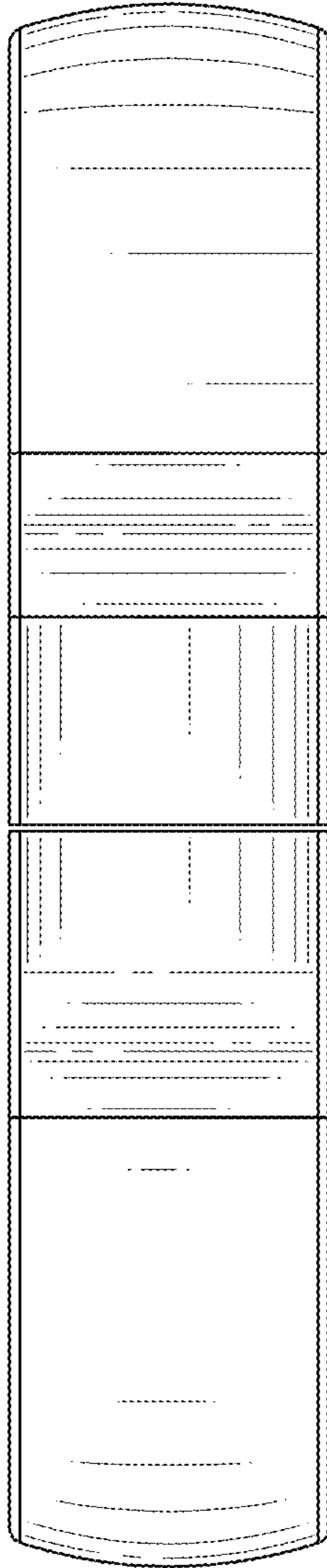


FIG. 6

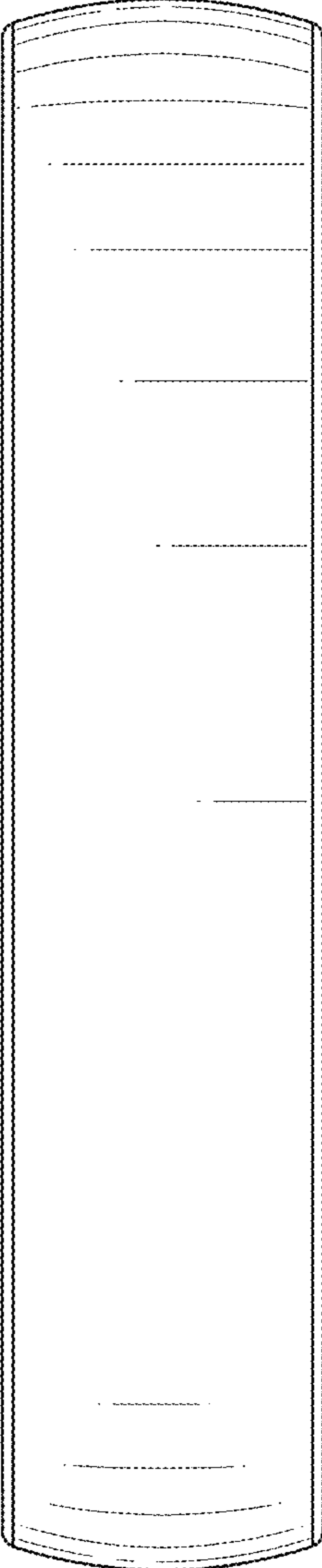


FIG. 7

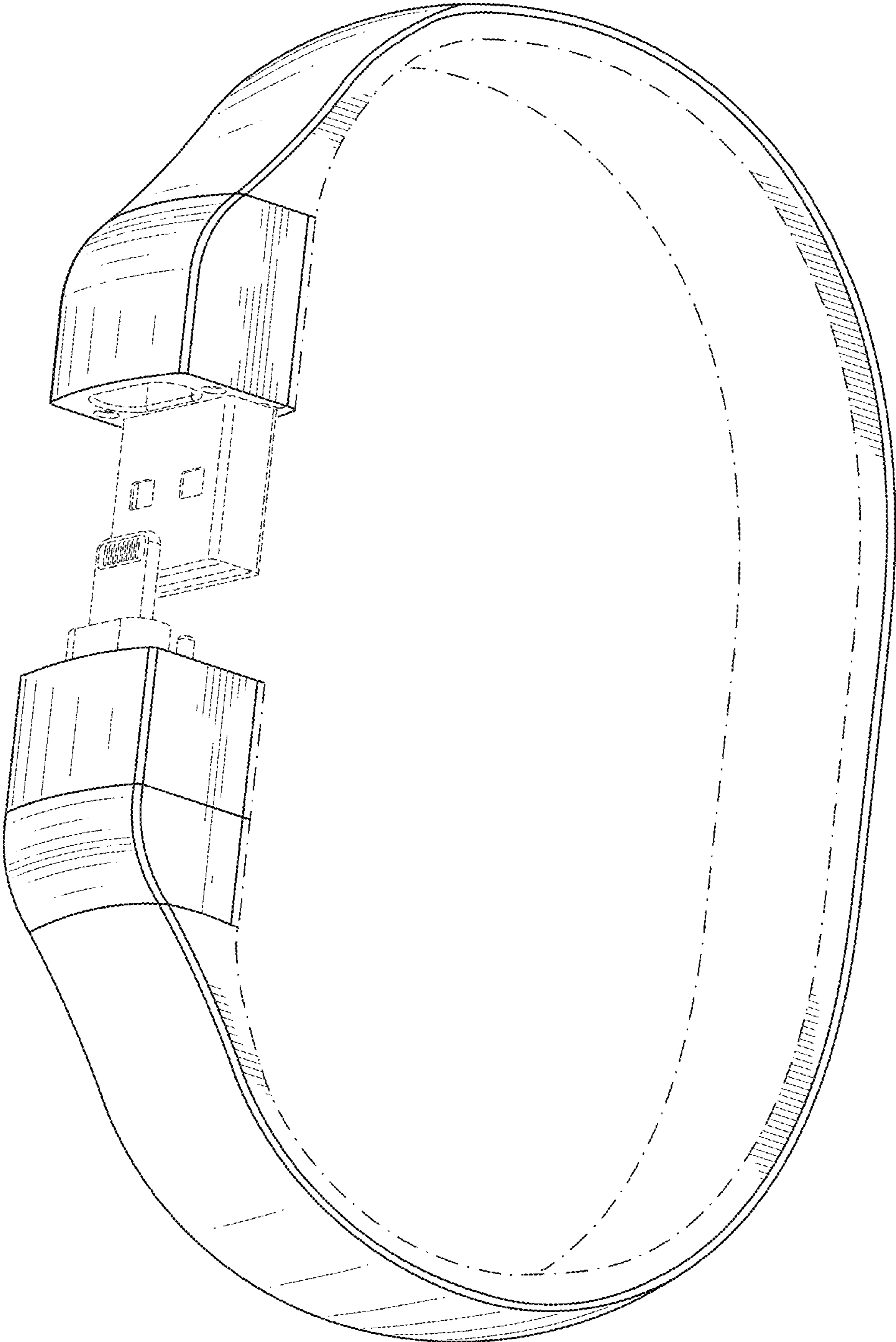


FIG. 8