



US00D786884S

(12) **United States Design Patent** (10) **Patent No.:** **US D786,884 S**
Borloz et al. (45) **Date of Patent:** **** May 16, 2017**

(54) **ARTICULATED EQUIPMENT SUPPORT ARM**
 (71) Applicant: **GCX Corporation**, Petaluma, CA (US)
 (72) Inventors: **Paul Rene Borloz**, Petaluma, CA (US);
Robert Peter Glaser, Corte Madera, CA (US); **Joshua Kawarii Littlefield**, Santa Rosa, CA (US)

8,152,124 B2 * 4/2012 Branham B60R 1/06
 248/289.11
 D660,845 S * 5/2012 Schmauch D14/452
 8,726,967 B2 * 5/2014 Llagostera
 Forns E04F 10/0618
 160/45
 9,221,181 B2 * 12/2015 Wang B25J 19/0004
 9,423,066 B2 * 8/2016 Wang F16M 11/2014

(73) Assignee: **GCX CORPORATION**, Petaluma, CA (US)

* cited by examiner
Primary Examiner — Holly Baynham
 (74) *Attorney, Agent, or Firm* — Michael A. Glenn;
 Perkins Coie LLP

(**) Term: **15 Years**

(57) **CLAIM**

(21) Appl. No.: **29/547,933**

The ornamental design for an articulated equipment support arm, as shown and described herein.

(22) Filed: **Dec. 9, 2015**

DESCRIPTION

(51) **LOC (10) Cl.** **08-07**

(52) **U.S. Cl.**
 USPC **D14/452**

(58) **Field of Classification Search**
 USPC D14/452; D8/373
 CPC .. E04G 3/00; F16M 11/20; B25J 19/00; B25J 9/10; B60T 13/741
 See application file for complete search history.

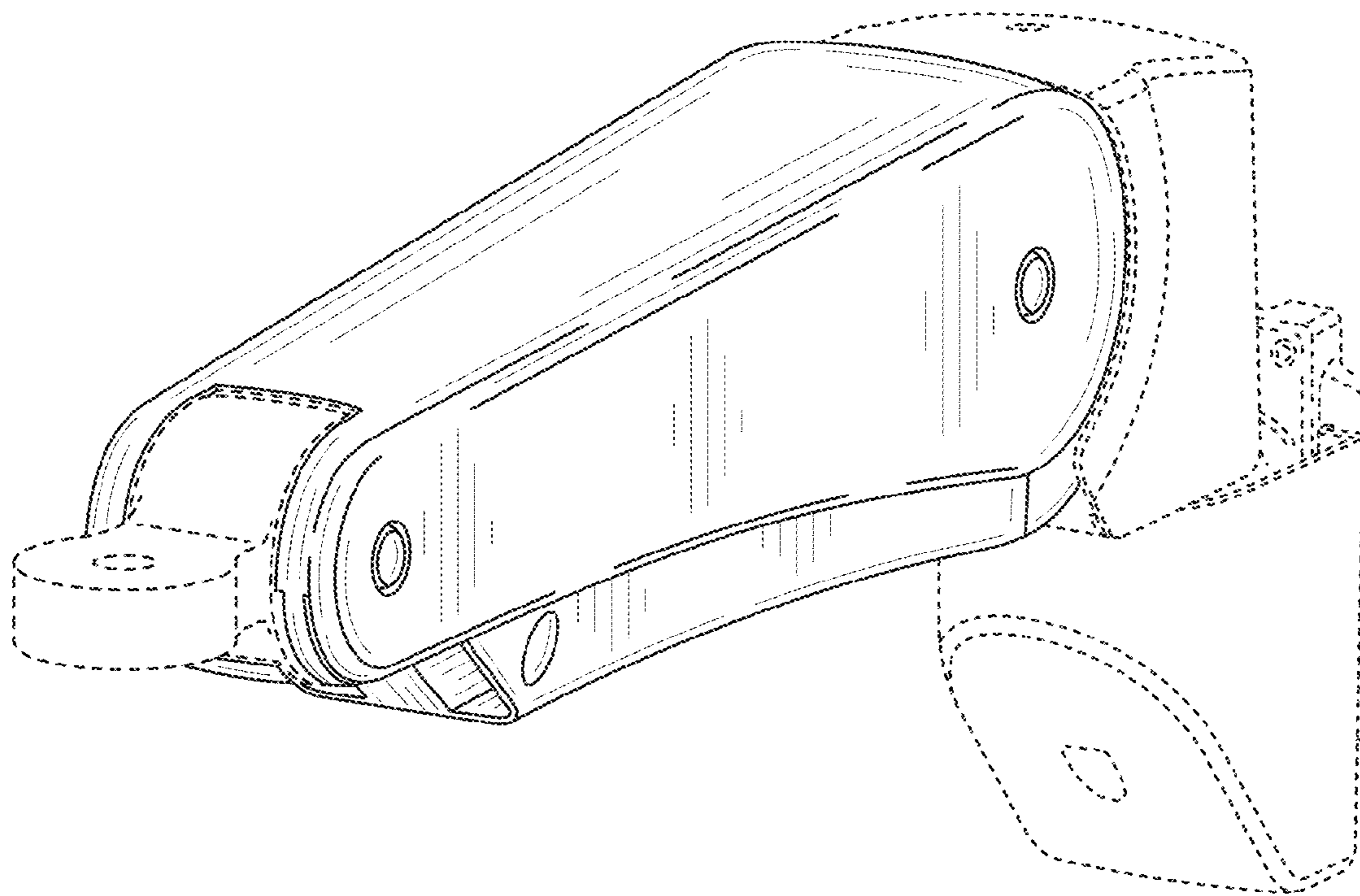
FIG. 1 is a front perspective view of an articulated support arm in a “pin-up” configuration.
 FIG. 2 is a left side elevational view thereof.
 FIG. 3 is a top plan view thereof.
 FIG. 4 is a bottom plan view thereof.
 FIG. 5 is a front elevational view thereof.
 FIG. 6 is a rear elevational view thereof.
 FIG. 7 is a side elevational view in an upward position;
 FIG. 8 is a side elevational view in a level position; and,
 FIG. 9 is a side elevational view in a downward position.
 Any broken lines are included solely for the purpose of illustrating the unclaimed portions of the article and form no part of the claims.

(56) **References Cited**

U.S. PATENT DOCUMENTS

D541,807 S * 5/2007 Oddsen, Jr D14/452
 D554,042 S * 10/2007 Richter D12/415
 D557,125 S * 12/2007 Worrall D14/452
 D611,480 S * 3/2010 Hau D14/452

1 Claim, 6 Drawing Sheets



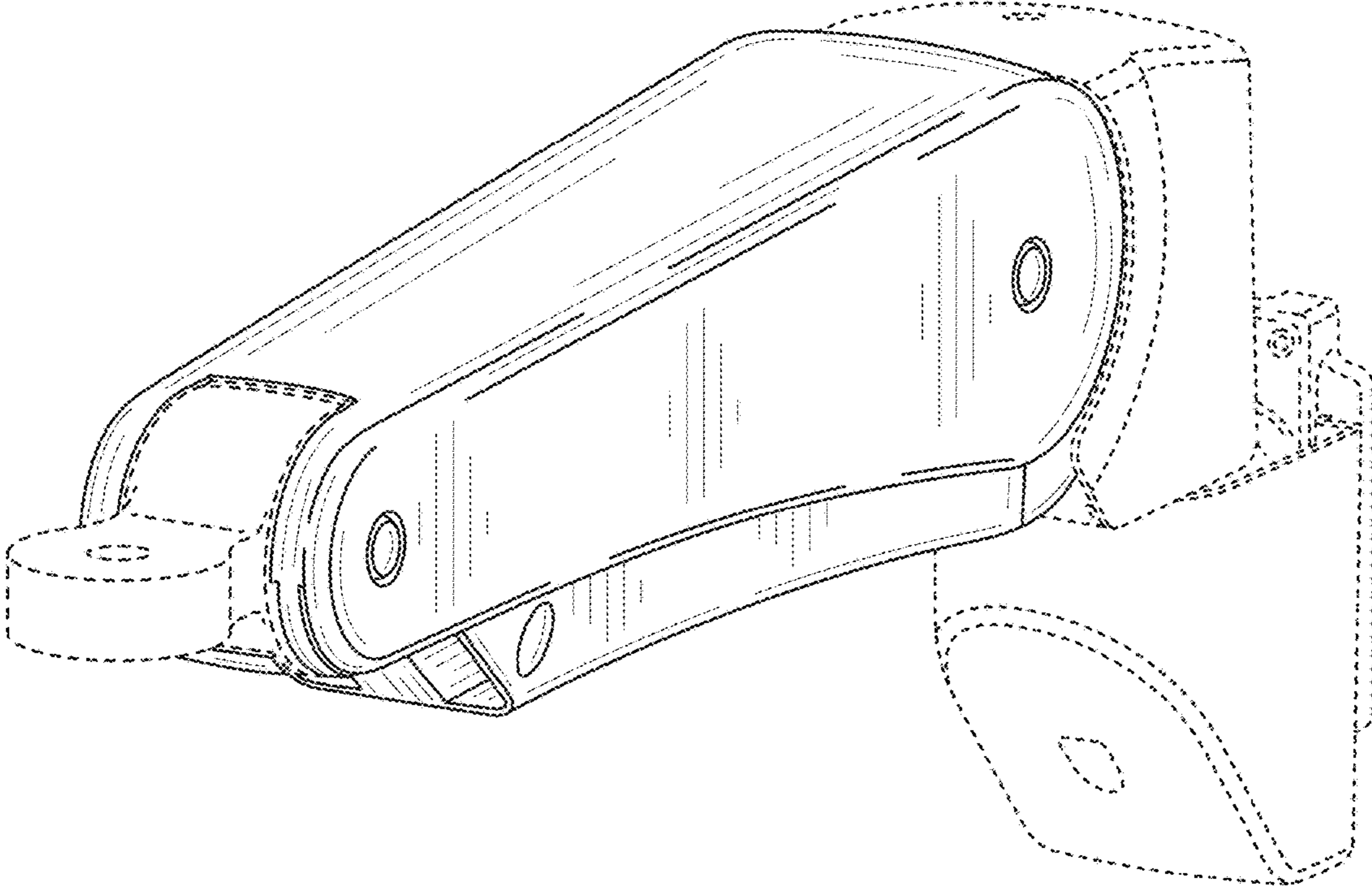


FIG. 1

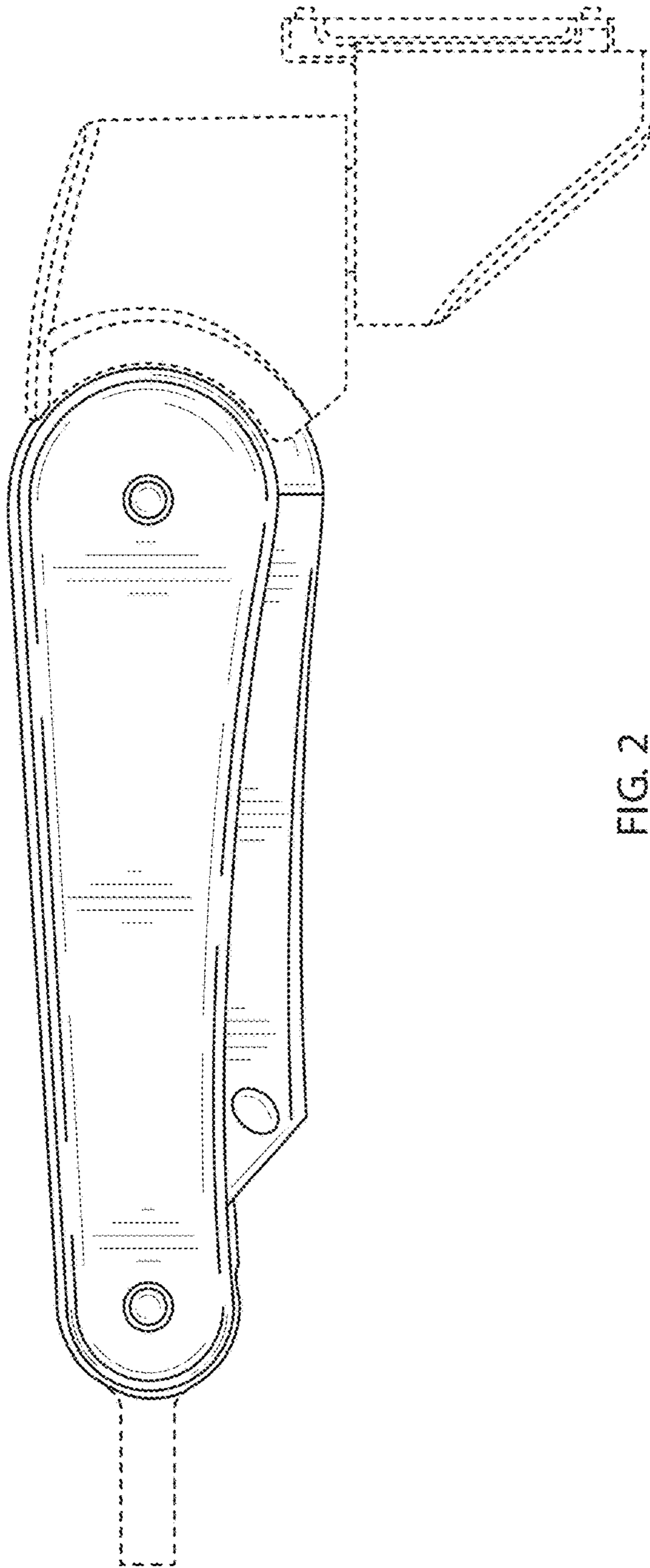


FIG. 2

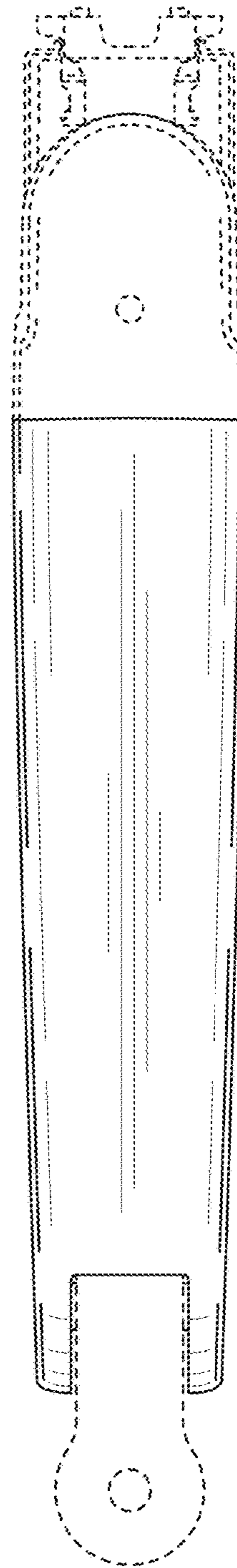


FIG. 3

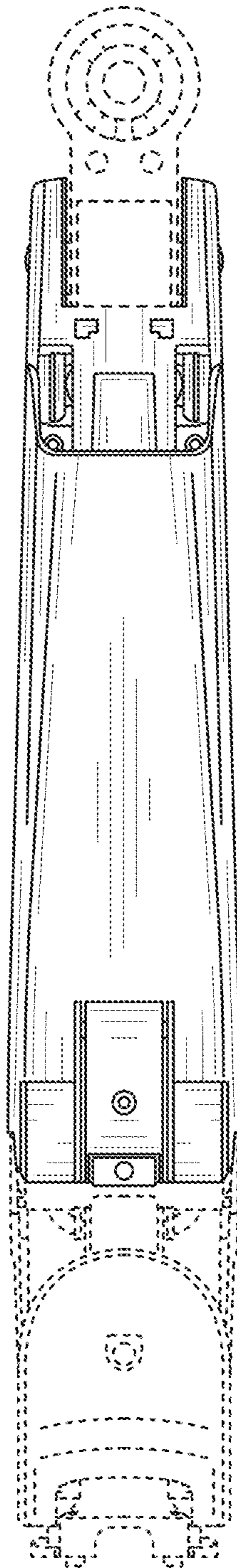


FIG. 4

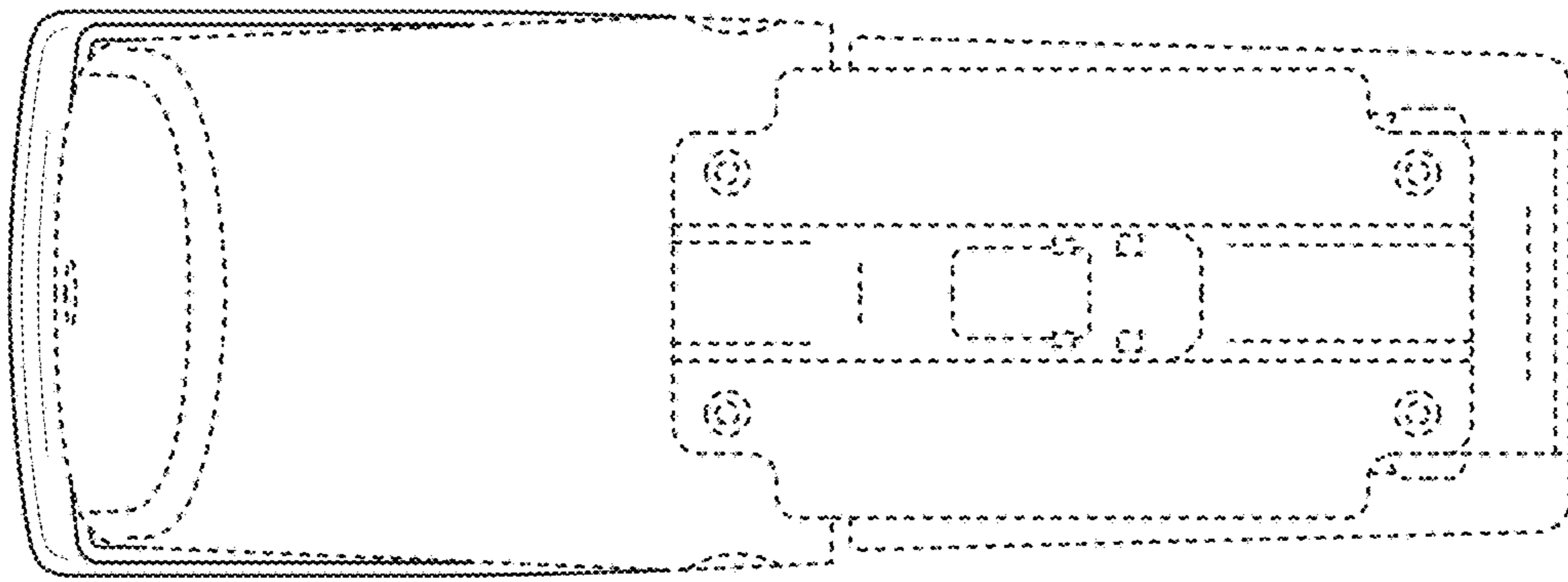


FIG. 6

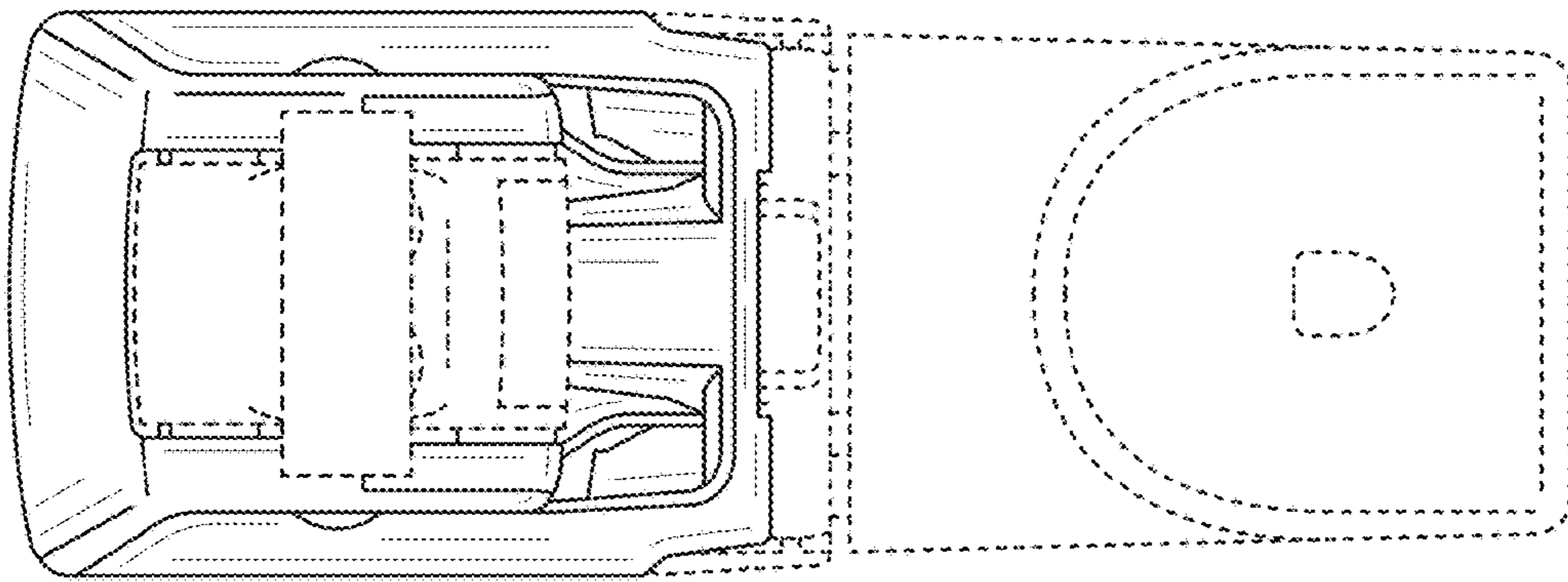


FIG. 5

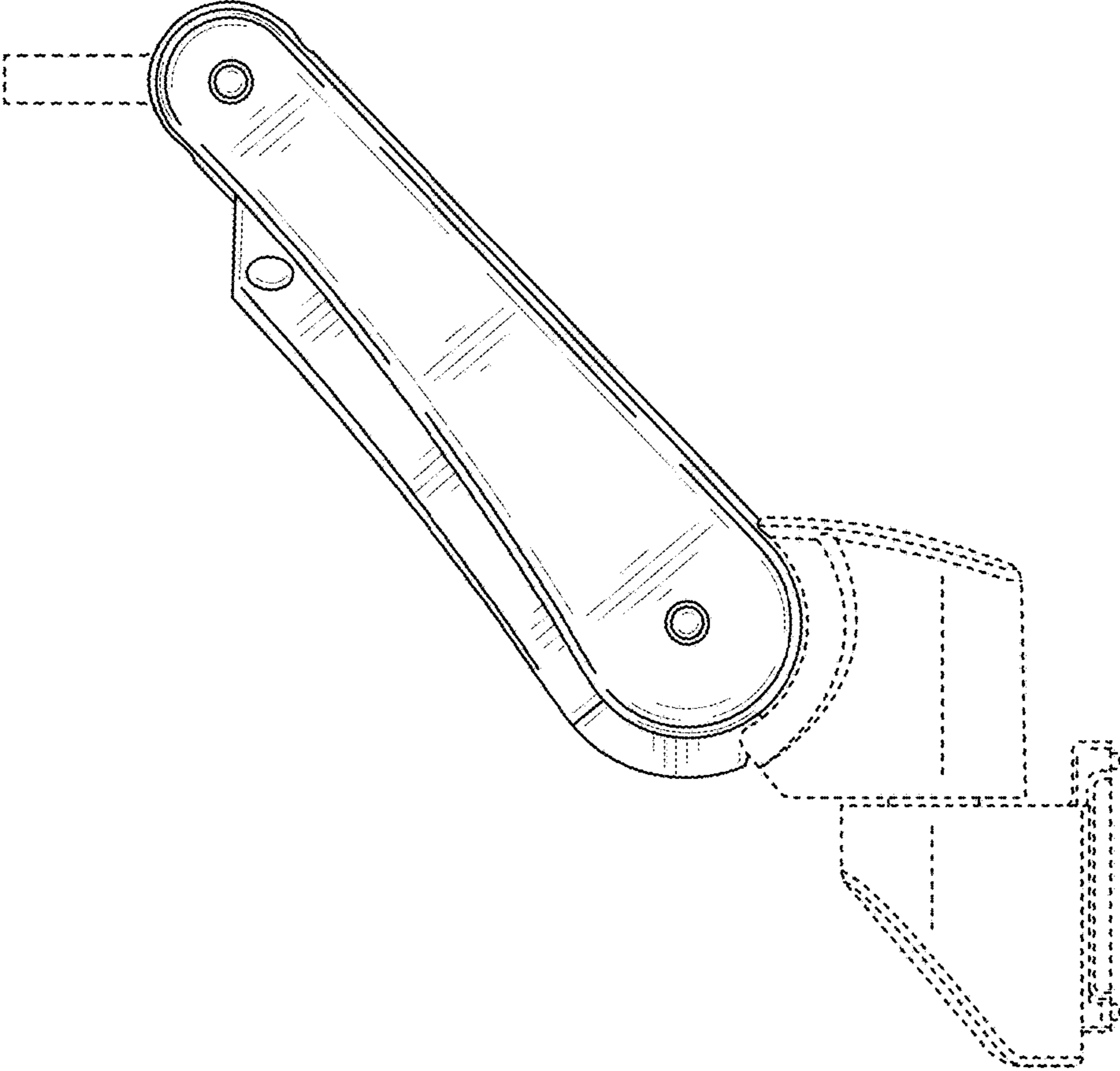


FIG. 7

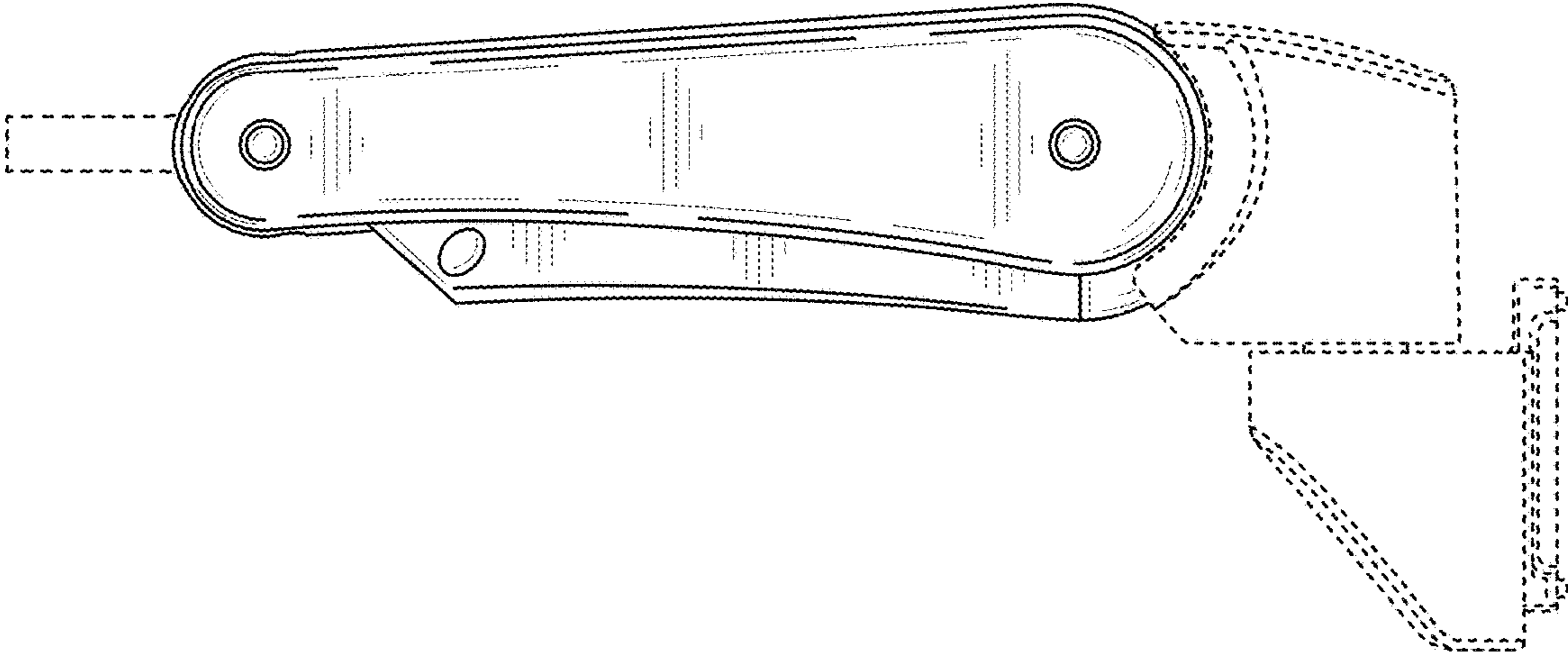


FIG. 8

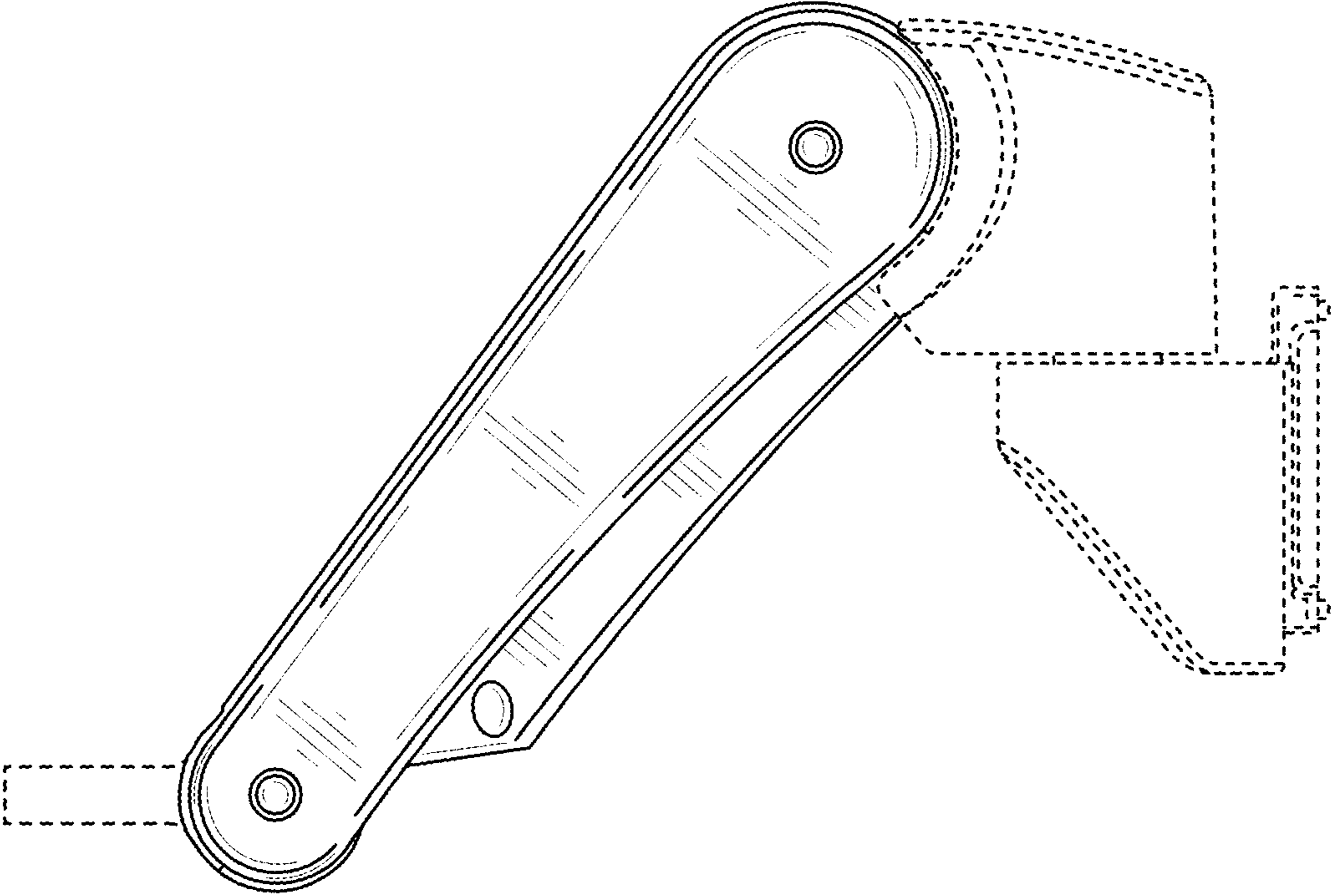


FIG. 9