



US00D786880S

(12) **United States Design Patent** (10) **Patent No.:** **US D786,880 S**
Ackeret et al. (45) **Date of Patent:** **** May 16, 2017**

(54) **COVER FOR ELECTRONIC EQUIPMENT**

(71) Applicant: **Kinetix AG**, Glarus (CH)

(72) Inventors: **Peter Ackeret**, Zurich (CH); **Michael Andreas Keller**, Freudenstadt (DE)

(73) Assignee: **KINETIX AG**, Glarus (CH)

(**) Term: **15 Years**

(21) Appl. No.: **29/536,982**

(22) Filed: **Aug. 21, 2015**

(30) **Foreign Application Priority Data**

May 2, 2015 (DE) 40 2015 000 748

(51) **LOC (10) Cl.** **14-02**

(52) **U.S. Cl.**
USPC **D14/440**

(58) **Field of Classification Search**
USPC D14/440, 250, 447, 344, 439, 432, 300;
206/45.23, 320, 45.2; 361/679.55;
294/25; 224/218

CPC G06F 3/0416; G06F 3/04886; G06F 3/045;
G06F 3/041; G06F 1/1628; G06F 1/1613;
C08F 2/44; B41M 1/12; B32B 7/06;
B29C 63/0047; B43L 3/00; H05K 13/00;
C11D 17/049; G03B 21/132; H04B
1/3888; H04B 1/385; A47B 23/044;
A61B 5/02438; A61B 5/1112; A44C 5/14
See application file for complete search history.

(56) **References Cited**

U.S. PATENT DOCUMENTS

D675,210 S * 1/2013 Kim D14/439
D677,667 S * 3/2013 Smith D14/440

D679,714 S * 4/2013 Smith D14/440
8,479,915 B2 * 7/2013 Chen G06F 1/1626
206/320
D694,244 S * 11/2013 Magness D14/440
D703,211 S * 4/2014 Weller D14/440
D712,892 S * 9/2014 Hong D14/250
D731,493 S * 6/2015 Mills D14/440
D731,495 S * 6/2015 Hassett D14/440
D749,593 S * 2/2016 Kwak D14/440
D753,124 S * 4/2016 Corcoran D14/440
D755,187 S * 5/2016 Shannon, III D14/440
2010/0289390 A1 * 11/2010 Kenney B29C 43/006
312/223.1

* cited by examiner

Primary Examiner — Cynthia Underwood

(74) *Attorney, Agent, or Firm* — Leydig, Voit & Mayer, Ltd.

(57) **CLAIM**

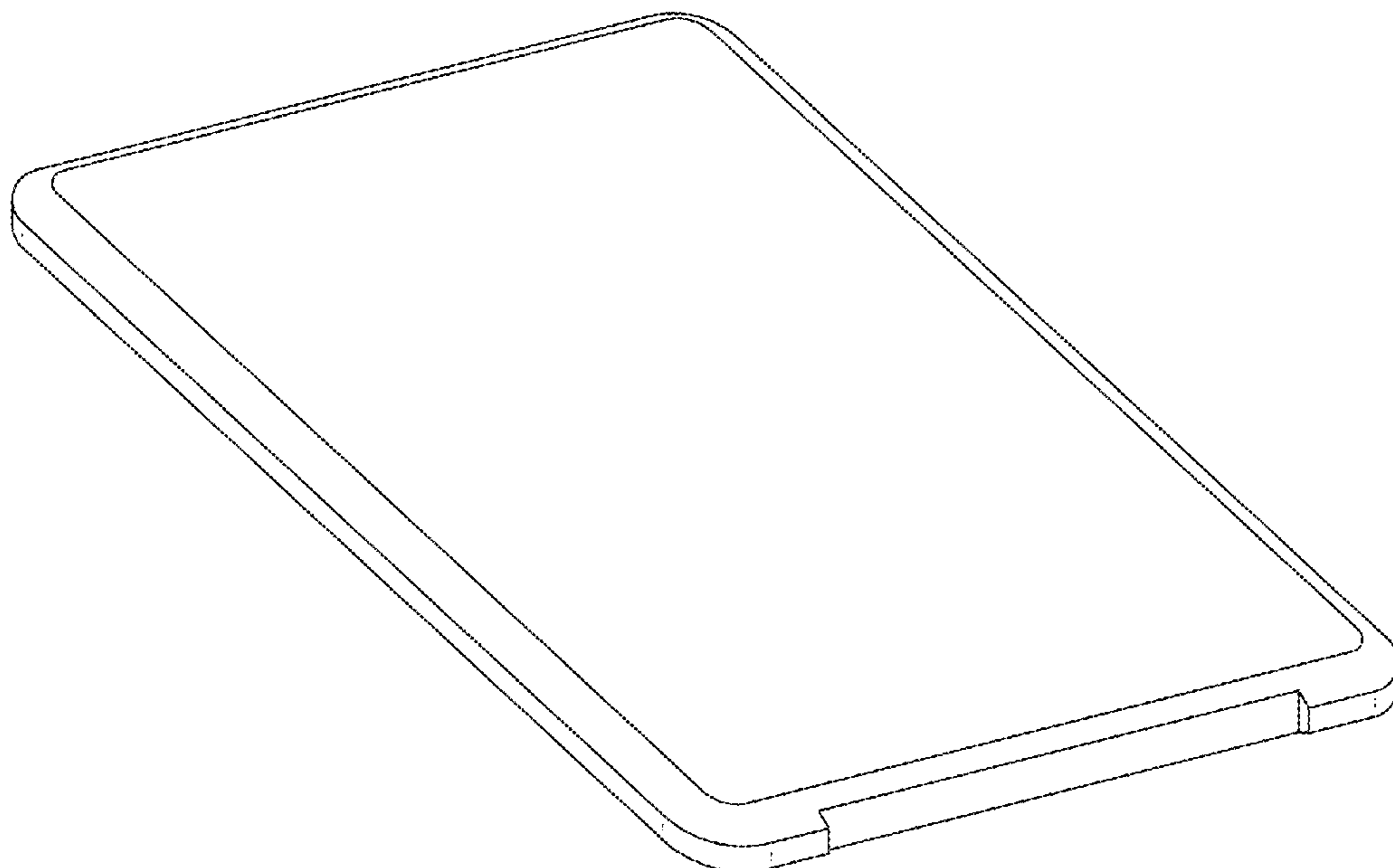
The ornamental design for a cover for electronic equipment, as shown and described.

DESCRIPTION

FIG. 1 is a top right back perspective view of the cover for electronic equipment showing our new design;
FIG. 2 is a top plan view thereof;
FIG. 3 is a bottom plan view thereof;
FIG. 4 is a left side elevational view thereof;
FIG. 5 is a right side elevational view thereof;
FIG. 6 is a rear elevational view thereof; and,
FIG. 7 is a front elevational view thereof.

Any broken lines in the drawings indicate portions which form no part of the claimed design.

1 Claim, 4 Drawing Sheets



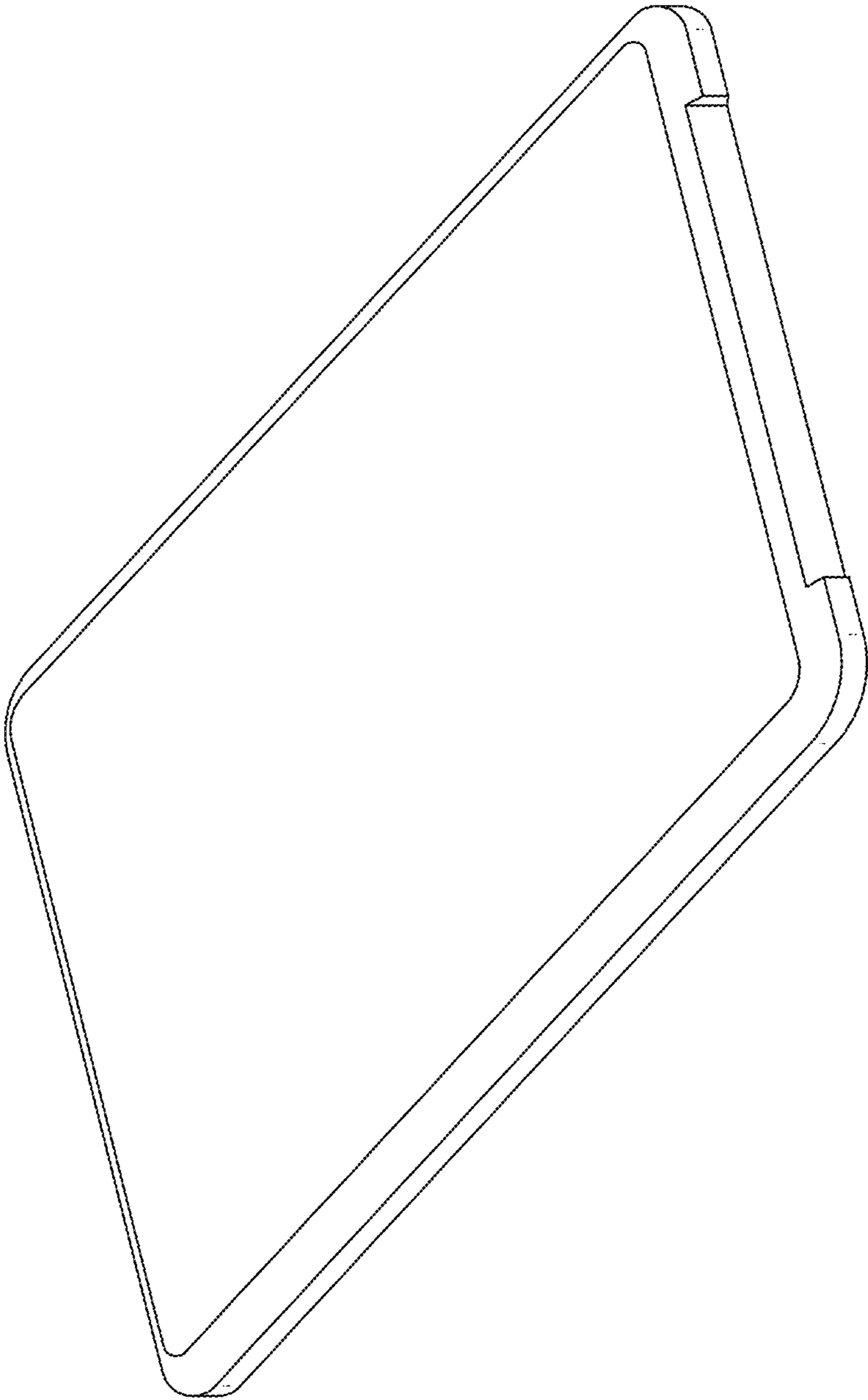


FIG. 1

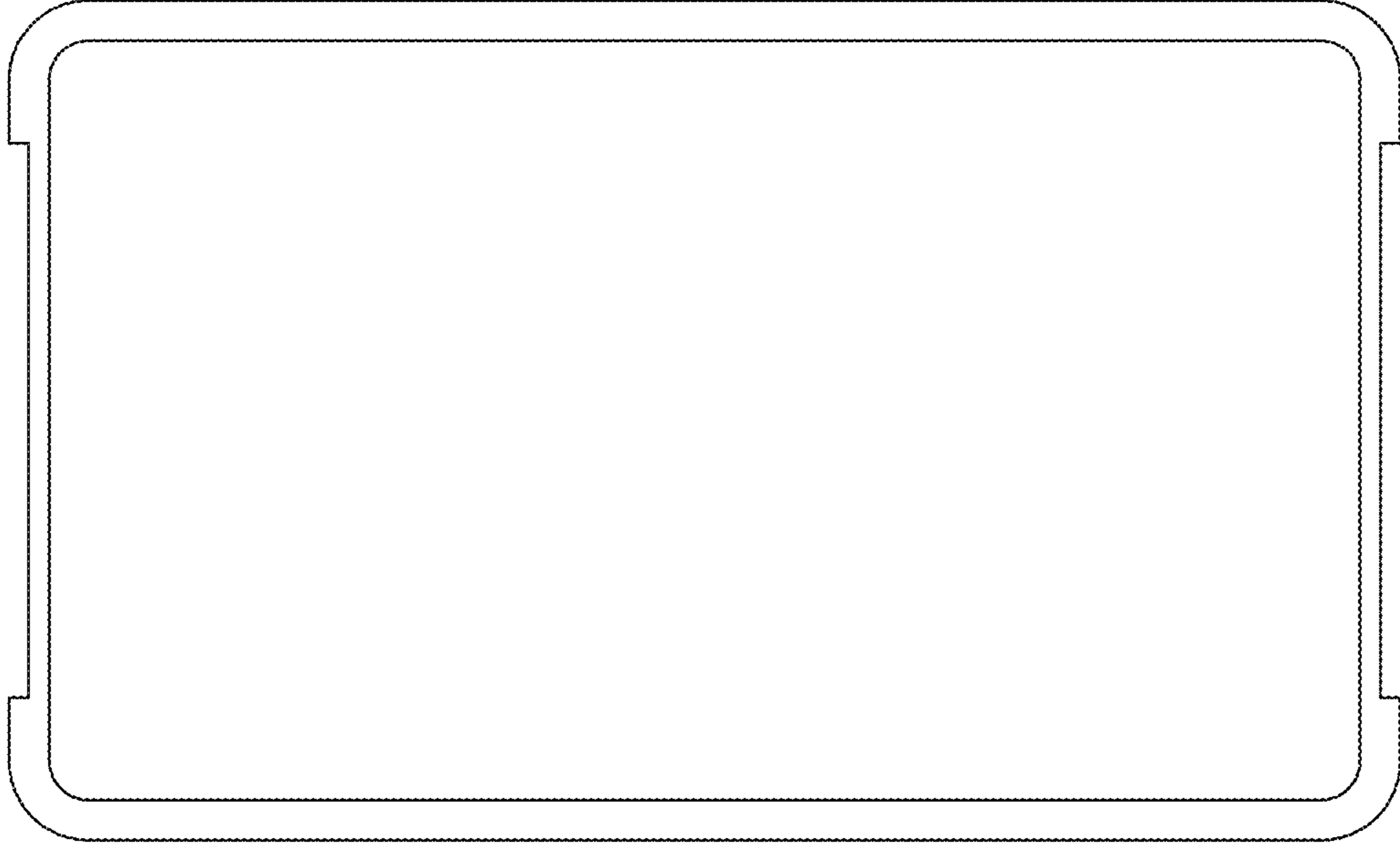


FIG. 3

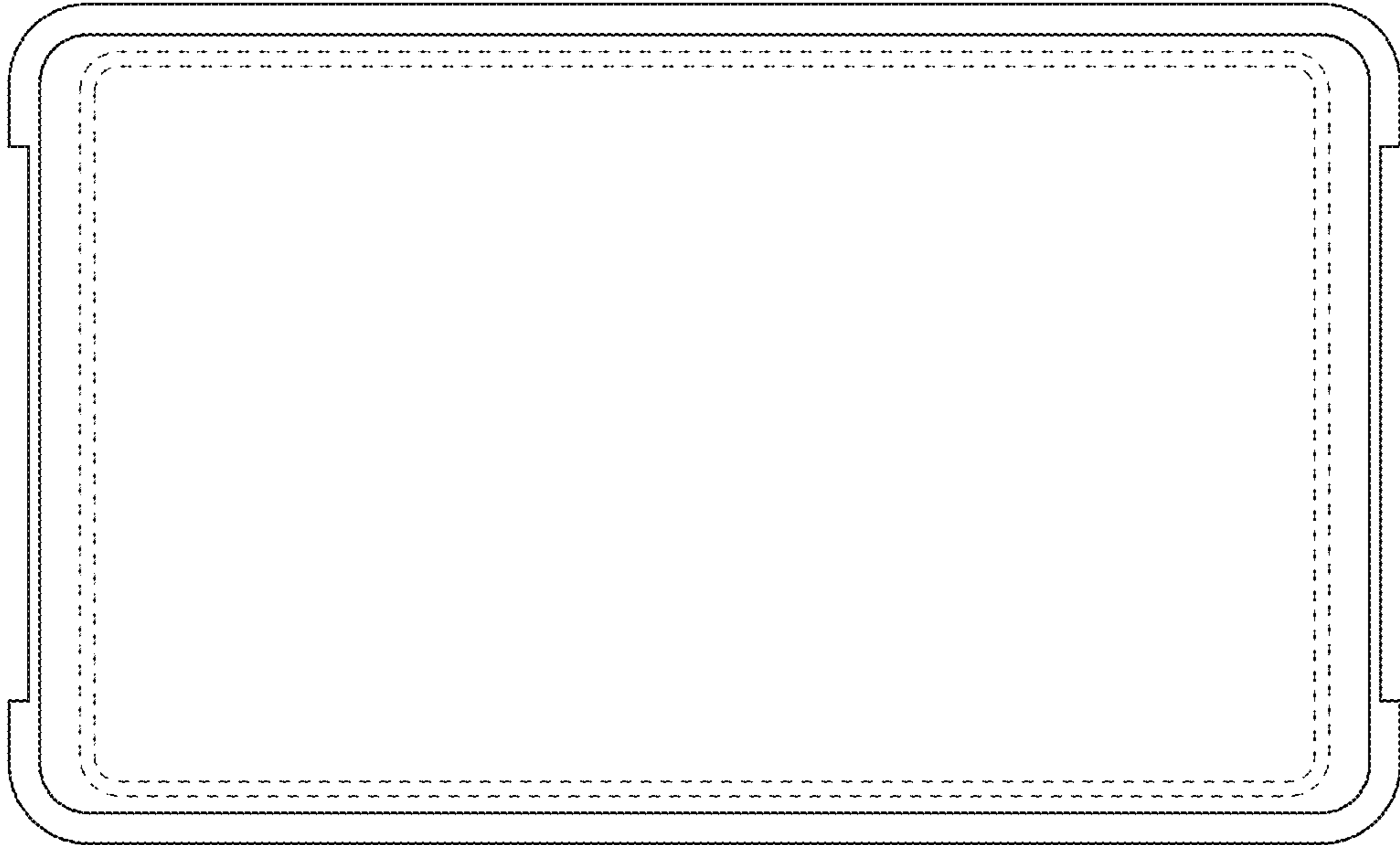


FIG. 2

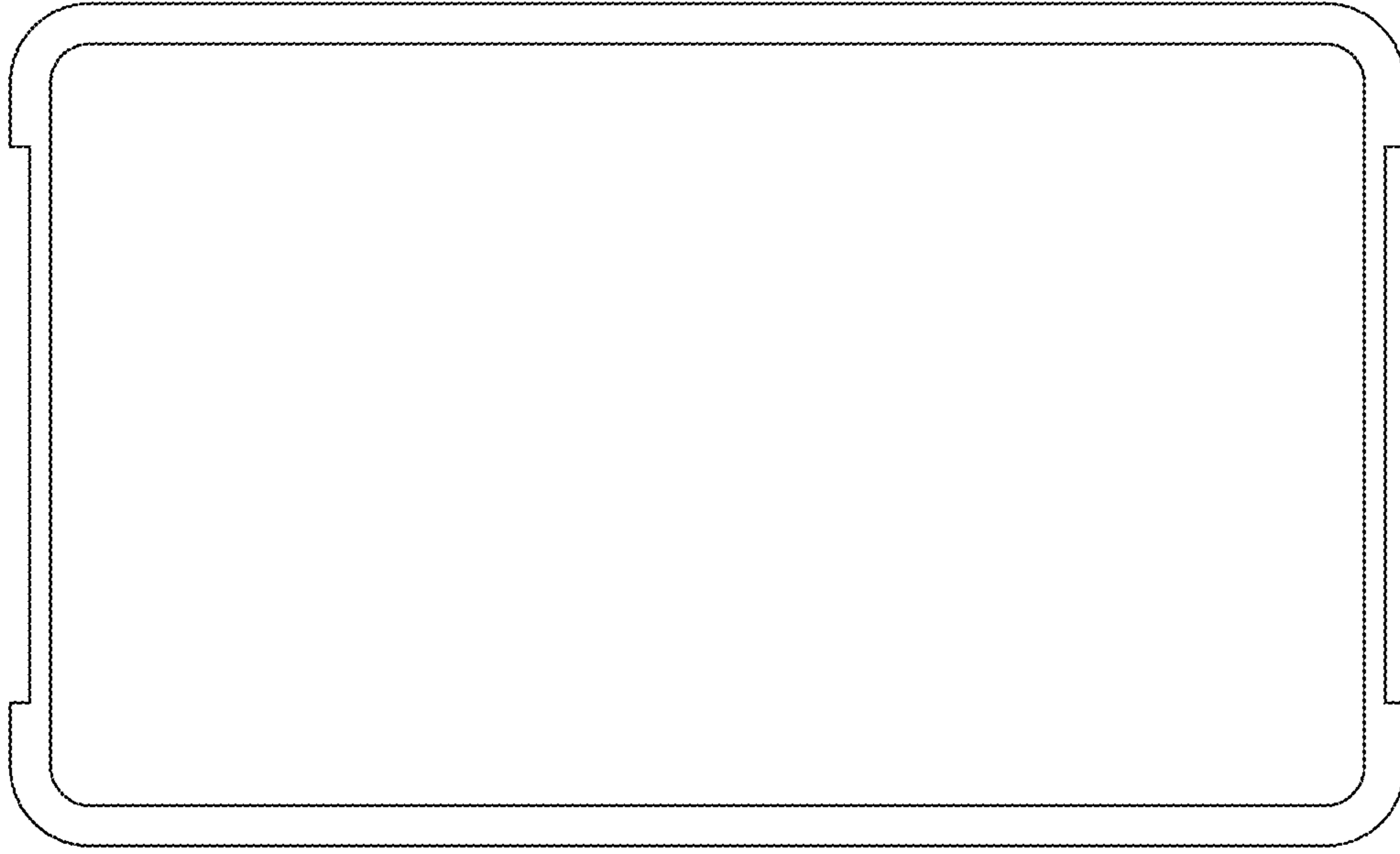


FIG. 3



FIG. 2

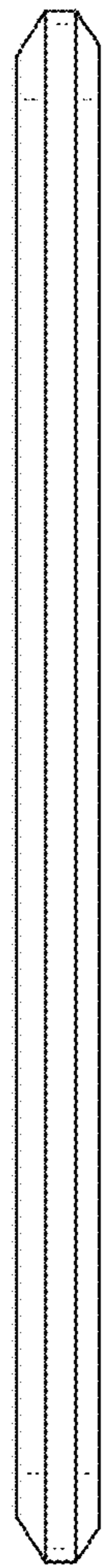


FIG. 4

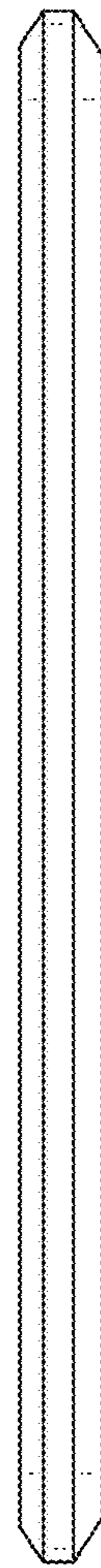


FIG. 5



FIG. 6



FIG. 7