



US00D786877S

(12) **United States Design Patent**
Christie, II

(10) **Patent No.:** **US D786,877 S**
(45) **Date of Patent:** **** May 16, 2017**

- (54) **MAGNETIC WALL DOCK FOR TABLETS, SMART PHONES, AND OTHER TOUCH DEVICES**
- (71) Applicant: **Cary Christie, II**, Phoenix, AZ (US)
- (72) Inventor: **Cary Christie, II**, Phoenix, AZ (US)
- (73) Assignee: **Cary Christie, II**, Phoenix, AZ (US)
- (**) Term: **15 Years**
- (21) Appl. No.: **29/529,001**
- (22) Filed: **Jun. 2, 2015**
- (51) **LOC (10) Cl.** **14-02**
- (52) **U.S. Cl.**
USPC **D14/434; D14/253**
- (58) **Field of Classification Search**
USPC D14/217, 218, 240, 250–253, 140, 142,
D14/149, 432, 434, 447, 451, 452;
D13/107, 108, 133, 154, 158, 177, 184;
D12/415
CPC H04M 1/00; H04M 1/04; H04M 1/06;
H04M 1/11; F16B 1/00; F16M 11/04;
F16M 11/041; F16M 13/02; H02G 3/083;
H02G 3/14; H02G 3/18; G06F 1/1632;
G06F 1/1626
See application file for complete search history.

(56) **References Cited**

U.S. PATENT DOCUMENTS

- D410,898 S * 6/1999 Lin D13/147
- D417,205 S * 11/1999 Clark D14/447
- 6,329,596 B1 * 12/2001 Justiniano H02G 3/14
174/66
- 7,531,745 B1 * 5/2009 Gretz H02G 3/12
174/66
- 7,880,085 B2 * 2/2011 Nurenberg H02G 3/088
174/66

- 7,960,651 B2 * 6/2011 Alderson H02G 3/14
174/53
- D642,121 S * 7/2011 Lee D13/108
- 8,294,028 B2 * 10/2012 Huang H02G 3/14
174/66
- 8,404,973 B1 * 3/2013 Gretz H02G 3/083
174/53
- D686,595 S * 7/2013 Andre D14/217
- D695,693 S * 12/2013 Lee D13/152
- D699,196 S * 2/2014 Zaslavsky D13/156
- D699,197 S * 2/2014 Zaslavsky D13/156
- D699,198 S * 2/2014 Zaslavsky D13/156
- D700,579 S * 3/2014 Mobbs D13/137.1
- D700,892 S * 3/2014 Segnit D13/137.2
- D703,158 S * 4/2014 Parsons D13/177
- D718,612 S * 12/2014 McSweyn D8/363
- D729,222 S * 5/2015 Grziwok D14/253
- D731,430 S * 6/2015 Segnit D13/137.2
- D732,474 S * 6/2015 Wallach D13/139.1
- D734,253 S * 7/2015 Tinaphong D13/108
- D735,678 S * 8/2015 Wyatt D13/156
- D739,857 S * 9/2015 Lay D10/80
- D742,830 S * 11/2015 Croft D13/137.2
- D744,951 S * 12/2015 Oosterman D13/139.1
- D749,588 S * 2/2016 Cox D14/203.7
- D749,596 S * 2/2016 Khodapanah D14/447

(Continued)

Primary Examiner — Susan Bennett Hattan

Assistant Examiner — Marie Fast Horse

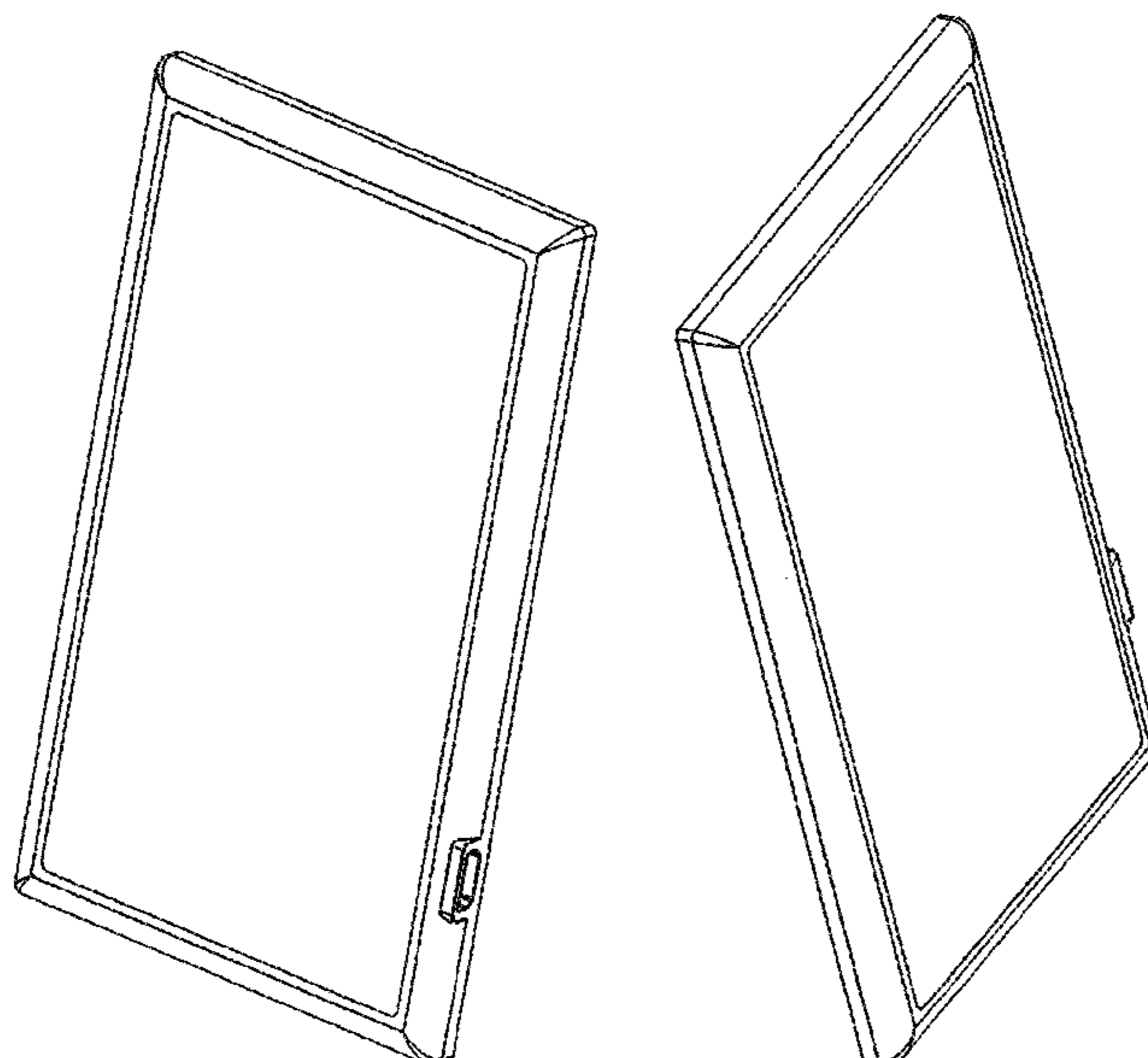
(57) **CLAIM**

I claim the ornamental design for a magnetic wall dock for tablets, smart phones, and other touch devices, as shown and described.

DESCRIPTION

FIG. 1 is a top-left isometric view of a magnetic wall dock for tablets, smart phones, and other touch devices; and, FIG. 2 is a top-right isometric view thereof.

1 Claim, 2 Drawing Sheets



(56)

References Cited

U.S. PATENT DOCUMENTS

2010/0261374 A1* 10/2010 Hung H01R 13/502
439/488
2012/0068612 A1* 3/2012 Ebeling H01R 13/5213
315/159
2012/0104197 A1* 5/2012 Jensen F16M 13/02
248/205.1
2013/0175992 A1* 7/2013 Tinaphong H02J 7/0004
320/111
2014/0326497 A1* 11/2014 Byrne H02G 3/18
174/541
2014/0326726 A1* 11/2014 Byrne H02G 3/14
220/241
2015/0052706 A1* 2/2015 Kalis E05D 5/04
16/224
2016/0055996 A1* 2/2016 Quezada H02G 3/14
200/51 R

* cited by examiner

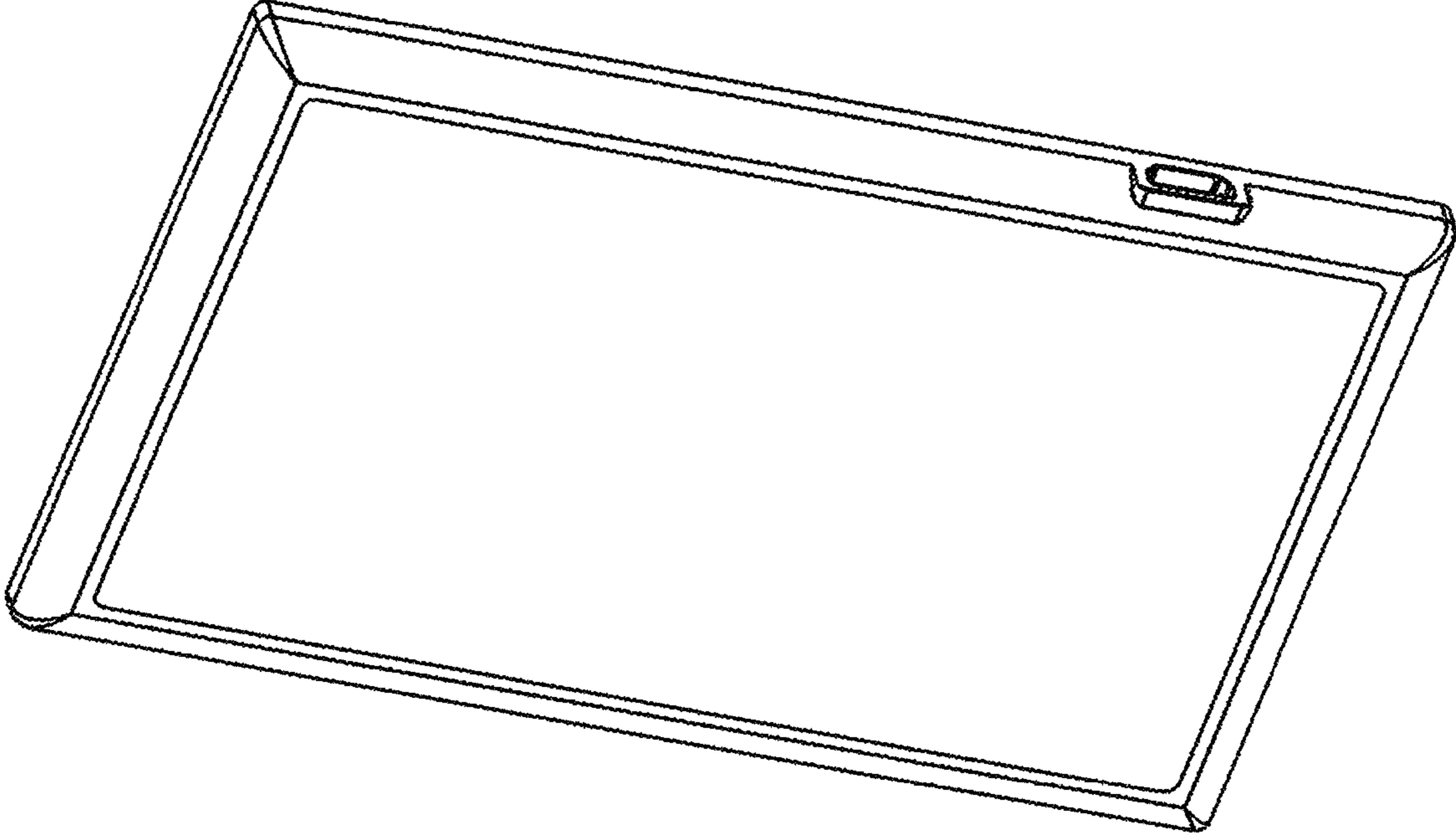


Fig. 1

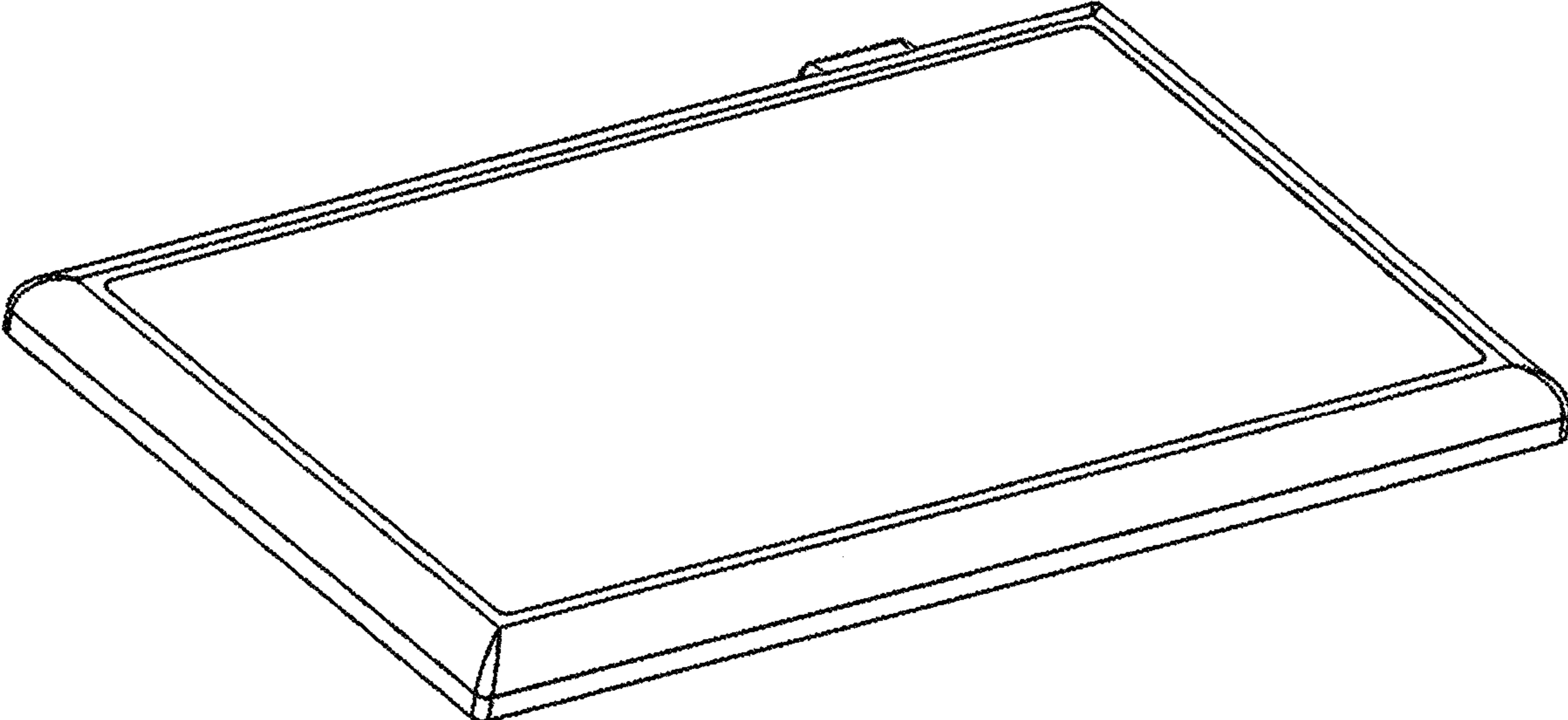


Fig. 2