



US00D786876S

(12) **United States Design Patent**
Huang

(10) **Patent No.:** **US D786,876 S**

(45) **Date of Patent:** **** May 16, 2017**

- (54) **RETRACTABLE DATA CABLE**
- (71) Applicant: **Hongping Huang**, Hunan (CN)
- (72) Inventor: **Hongping Huang**, Hunan (CN)
- (**) Term: **15 Years**
- (21) Appl. No.: **29/559,925**
- (22) Filed: **Mar. 31, 2016**
- (51) **LOC (10) Cl.** **14-02**
- (52) **U.S. Cl.**
USPC **D14/433**
- (58) **Field of Classification Search**
USPC D14/356, 432-434, 453, 454, 511, 203.8,
D14/209.1, 238.1, 240, 125; 439/638,
439/928, 105, 502; 710/303, 304;
361/679.41, 679.55, 679.56; D13/110,
D13/133, 146
CPC H01R 24/64; H01R 24/62; H01R 12/714;
H01R 13/506; H01R 13/6658
See application file for complete search history.

D691,140 S *	10/2013	Huang	D14/433
D709,504 S *	7/2014	Breines	D14/433
D727,907 S *	4/2015	Higashi	D14/433
D731,489 S *	6/2015	Langhammer	D14/433
D743,398 S *	11/2015	Smith	D14/433
D746,291 S *	12/2015	Solomon	D14/433
D755,790 S *	5/2016	Salvatori	D14/433
D757,011 S *	5/2016	Sakai	D14/433
D760,720 S *	7/2016	Laffon de Mazieres	D14/433
D761,262 S *	7/2016	Solomon	D14/433

* cited by examiner

Primary Examiner — Austin Murphy

(57) **CLAIM**

The ornamental design for a retractable data cable, as shown and described.

DESCRIPTION

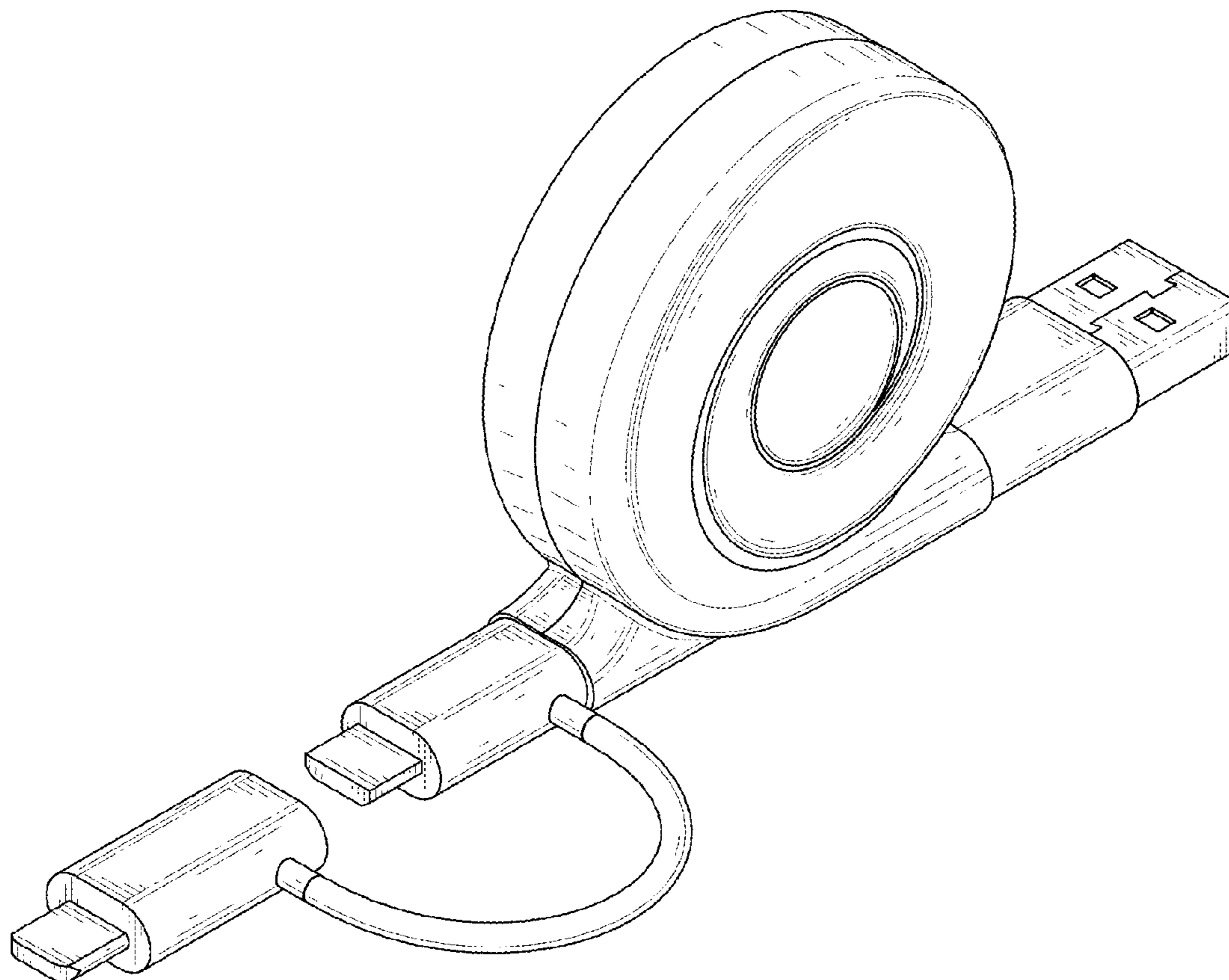
FIG. 1 is a perspective view of a retractable data cable showing my new design;
 FIG. 2 is a front elevational view thereof;
 FIG. 3 is a rear elevational view thereof;
 FIG. 4 is a left side view thereof;
 FIG. 5 is a right side view thereof;
 FIG. 6 is a top plan view thereof; and,
 FIG. 7 is a bottom plan view thereof.

1 Claim, 7 Drawing Sheets

(56) **References Cited**

U.S. PATENT DOCUMENTS

D601,150 S *	9/2009	Romero	D14/433
D678,285 S *	3/2013	Chen	D14/433



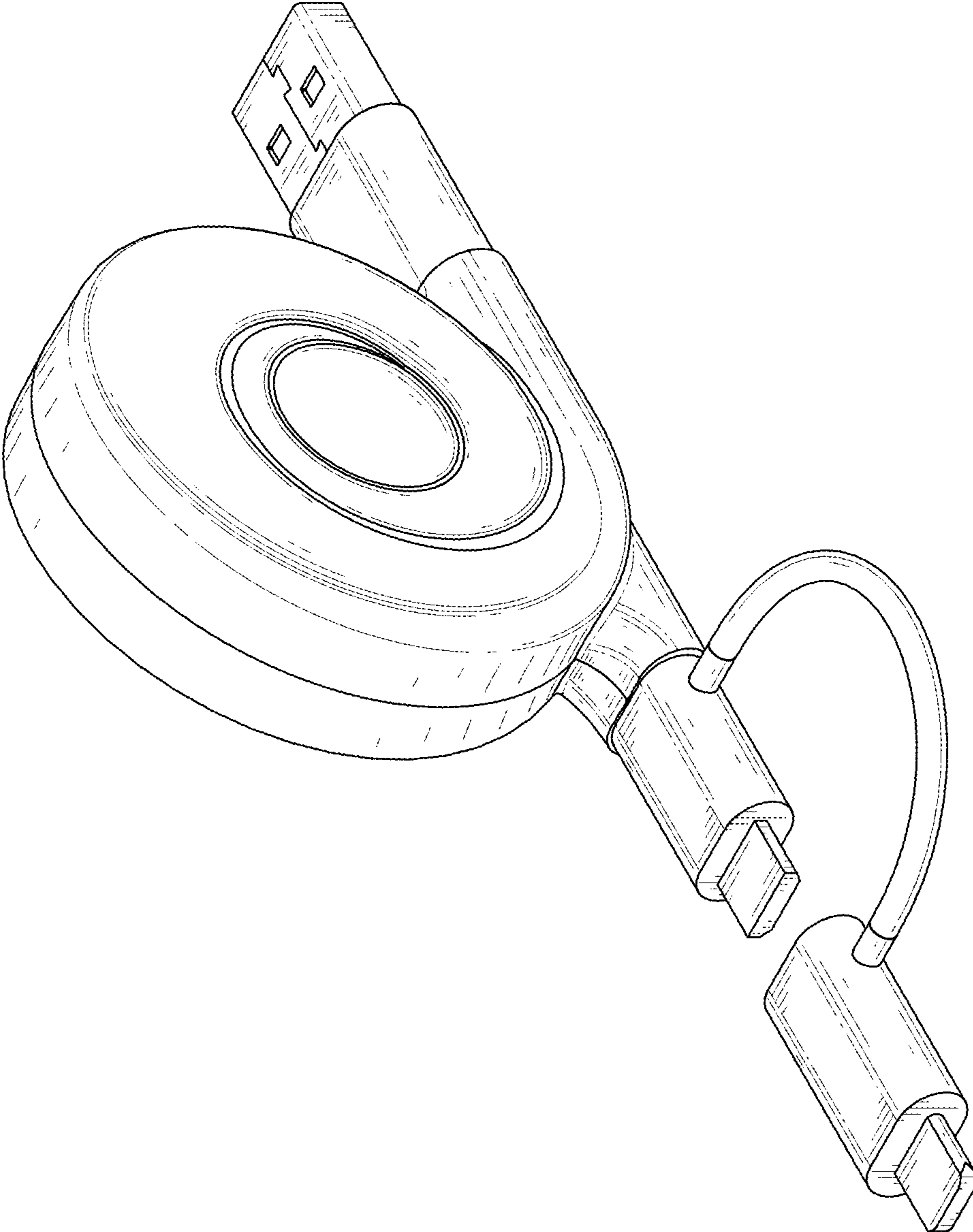


Fig. 1

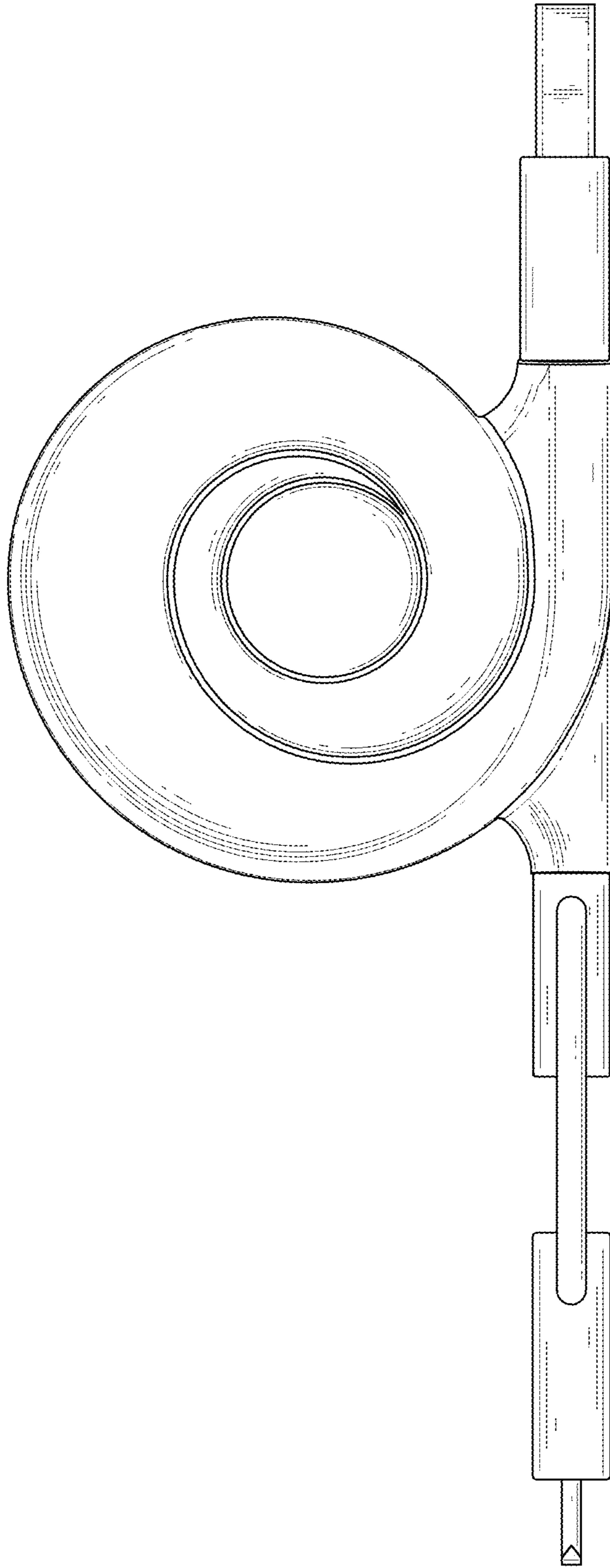


Fig. 2

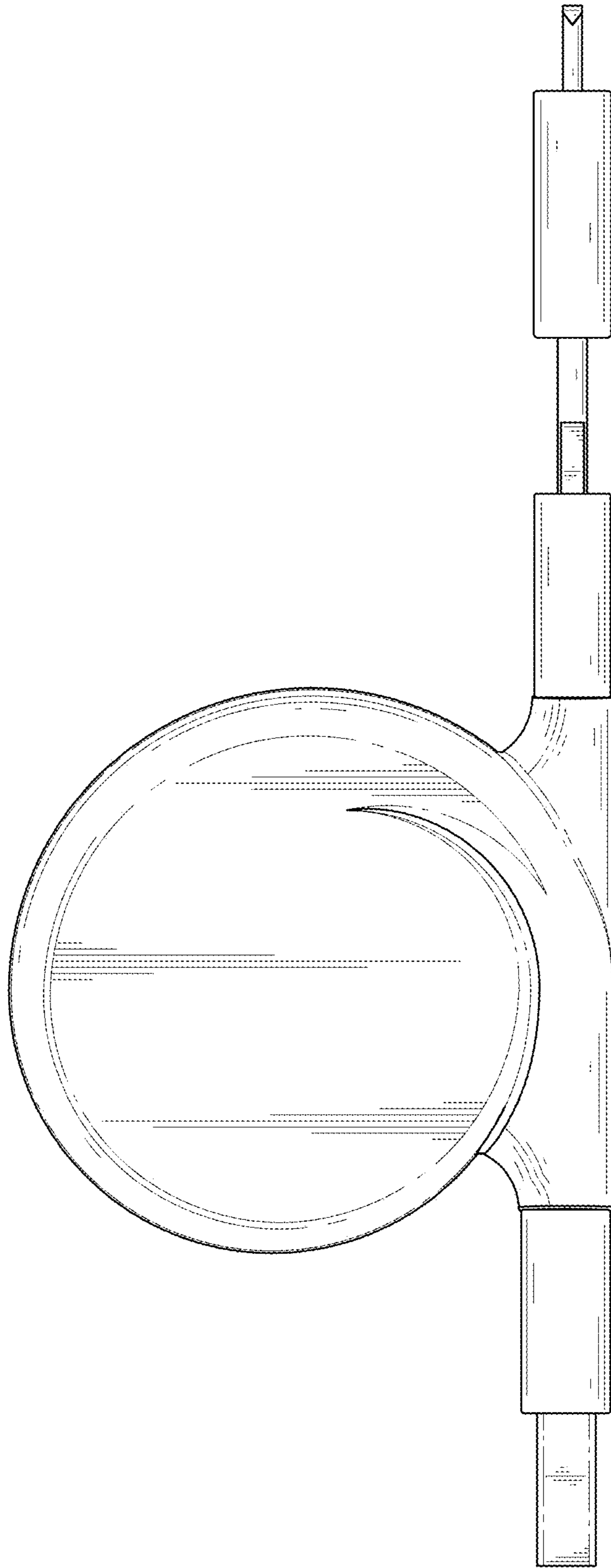


Fig. 3

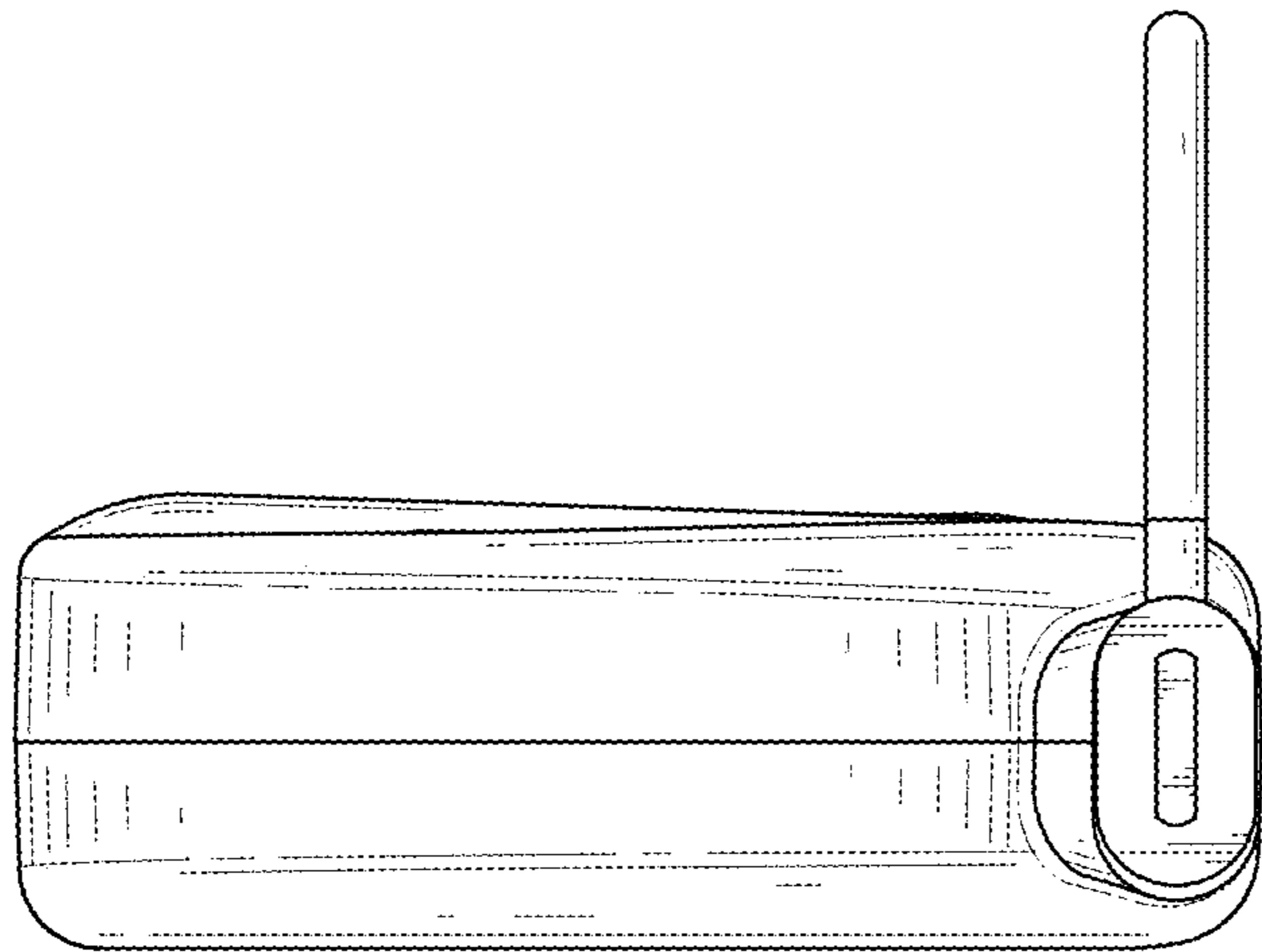


Fig. 4

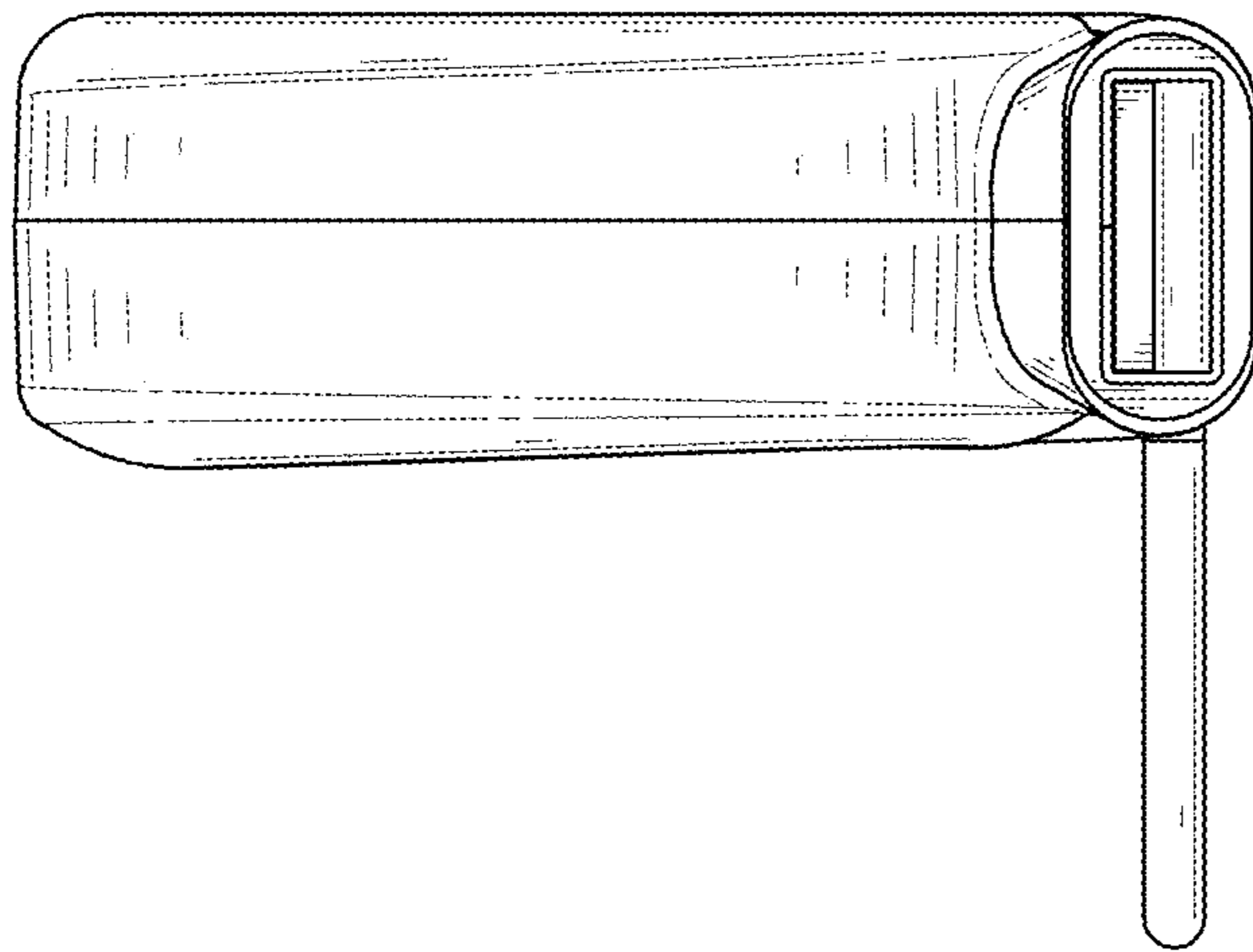


Fig. 5

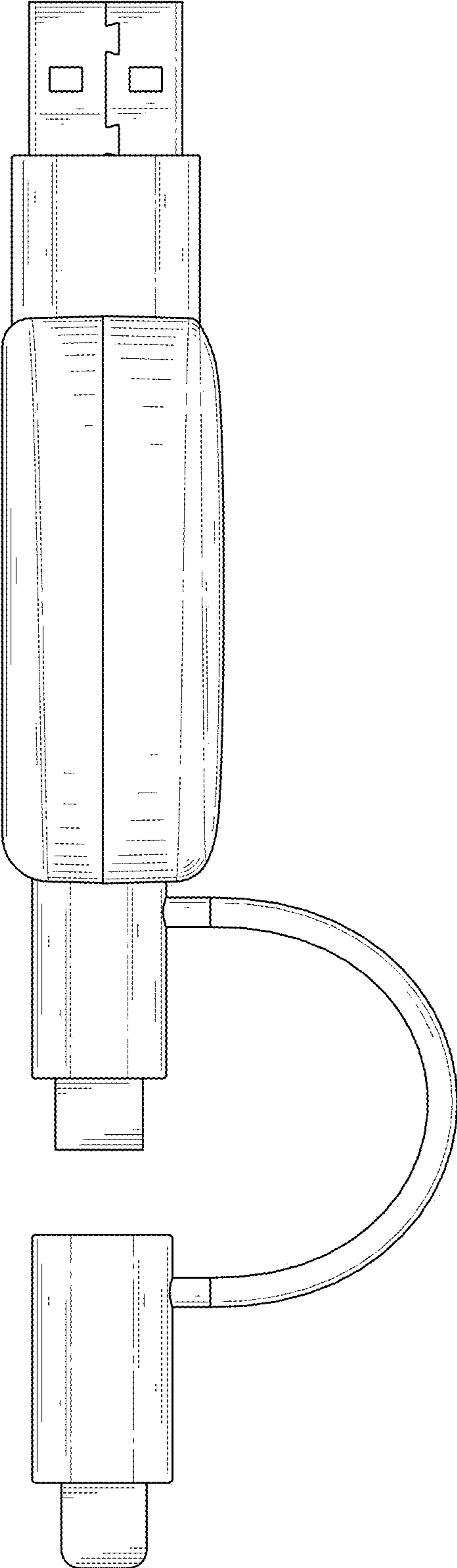


Fig. 6

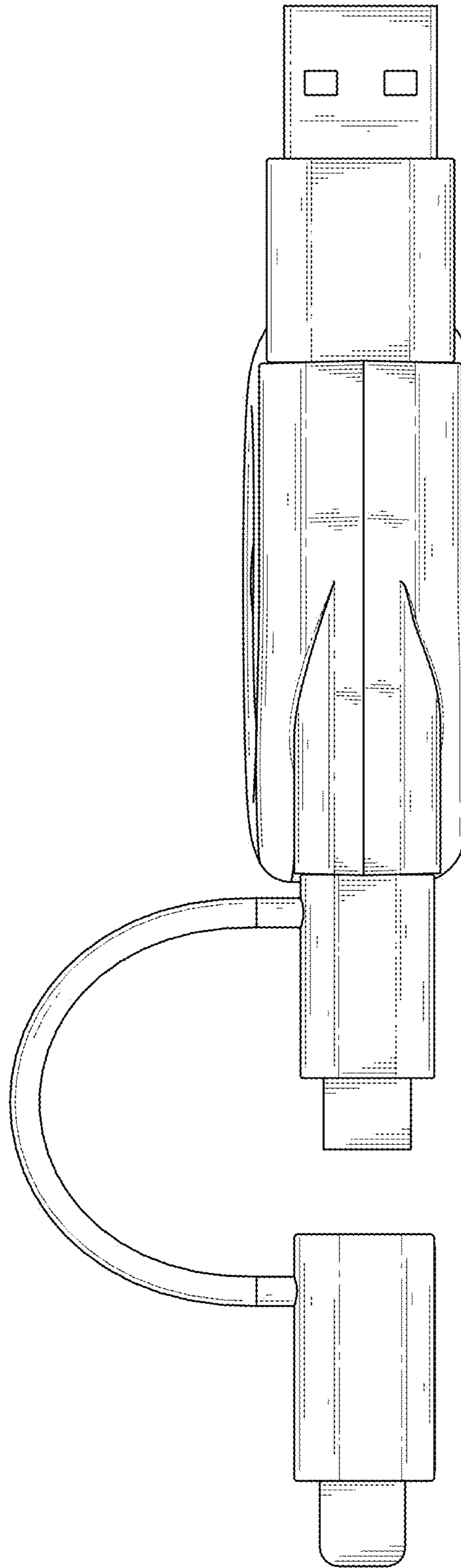


Fig. 7