



US00D786875S

(12) **United States Design Patent** (10) **Patent No.:** **US D786,875 S**  
**Kaminaga** (45) **Date of Patent:** **\*\* May 16, 2017**

(54) **ADAPTER FOR MOUNTING OPTICAL EQUIPMENT TO MOBILE COMPUTER**

(71) Applicant: **MICROSCOPE NETWORK CO., LTD.**, Kawaguchi-shi, Saitama (JP)

(72) Inventor: **Ryohei Kaminaga**, Kawaguchi (JP)

(73) Assignee: **MICROSCOPE NETWORK CO., LTD.**, Kawaguchi-Shi, Saitama (JP)

(\*\*) Term: **15 Years**

(21) Appl. No.: **29/559,796**

(22) Filed: **Mar. 31, 2016**

(51) **LOC (10) Cl.** ..... **14-02**

(52) **U.S. Cl.**  
USPC ..... **D14/433**; D16/131

(58) **Field of Classification Search**  
USPC ..... D8/349, 382; D16/130, 134, 136, 219, D16/235, 237; D26/120, 124  
CPC ..... H04N 1/00307; G02B 21/0004; G02B 21/0008; G02B 21/0088; G02B 21/20; G02B 21/21; G02B 21/24; G02B 21/362; G02B 21/364; G02B 23/16  
See application file for complete search history.

(56) **References Cited**

U.S. PATENT DOCUMENTS

3,545,355	A *	12/1970	Cahall, Jr.	.....	G03B 17/48	396/432
3,650,032	A *	3/1972	Kestler	.....	A61C 9/002	206/818
3,702,027	A *	11/1972	Marshall	.....	A61C 9/002	433/34
3,808,689	A *	5/1974	Spinella	.....	A61C 9/002	433/60
3,981,021	A *	9/1976	Beecher	.....	G03B 17/48	396/432
4,116,416	A *	9/1978	Segura	.....	A61C 9/002	249/54

D329,192	S *	9/1992	Susac	.....	D8/349	
6,318,912	B1 *	11/2001	Shono	.....	G03B 5/04	359/822
D531,888	S *	11/2006	Barnes	.....	D8/382	
9,289,869	B1 *	3/2016	Lelonek	.....	B23Q 3/062	
2004/0025362	A1 *	2/2004	Allen	.....	B27F 1/12	33/638
2009/0128934	A1 *	5/2009	Plangger	.....	G02B 21/362	359/827
2011/0042535	A1 *	2/2011	Cheng	.....	F16M 11/041	248/298.1
2011/0109983	A1 *	5/2011	Lu	.....	G02B 21/362	359/827
2013/0016963	A1 *	1/2013	Miller	.....	G02B 21/362	396/428

(Continued)

FOREIGN PATENT DOCUMENTS

JP 2002031765 A \* 1/2002

*Primary Examiner* — Sheryl Lane

*Assistant Examiner* — Calvin E Vansant

(74) *Attorney, Agent, or Firm* — Cantor Colburn LLP

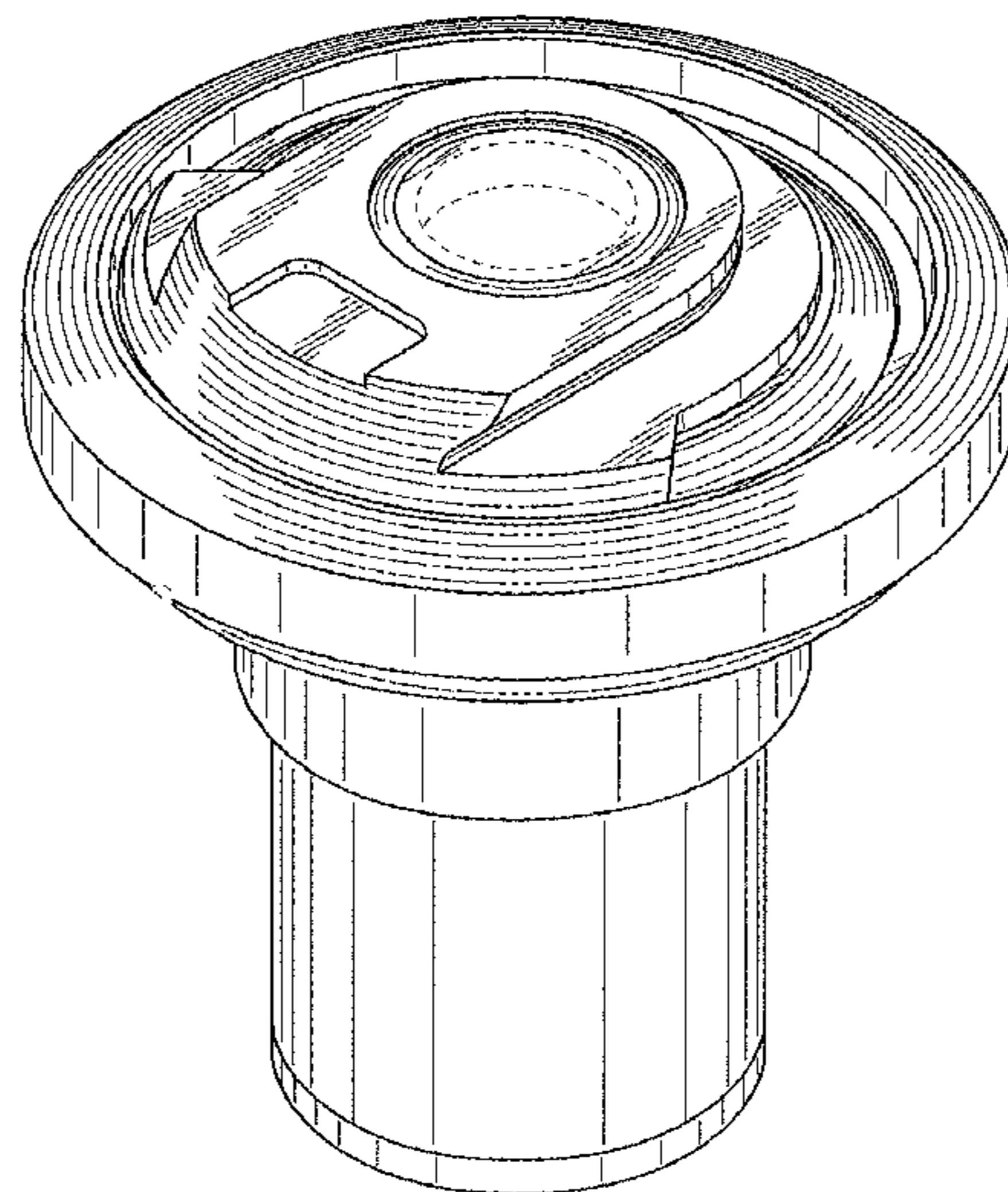
(57) **CLAIM**

The ornamental design for an, adapter for mounting optical equipment to mobile computer, as shown and described.

**DESCRIPTION**

FIG. 1 is a perspective view showing our new design; FIG. 2 is a front elevational view thereof; FIG. 3 is a rear elevational view thereof; FIG. 4 is a top plan view thereof; FIG. 5 is a bottom plan view thereof; FIG. 6 is a right side elevational view thereof; and, FIG. 7 is a cross sectional view of FIG. 6 along line 7-7 thereof; The broken lines depict environmental subject matter only and form no part of the claim.

**1 Claim, 7 Drawing Sheets**



(56)

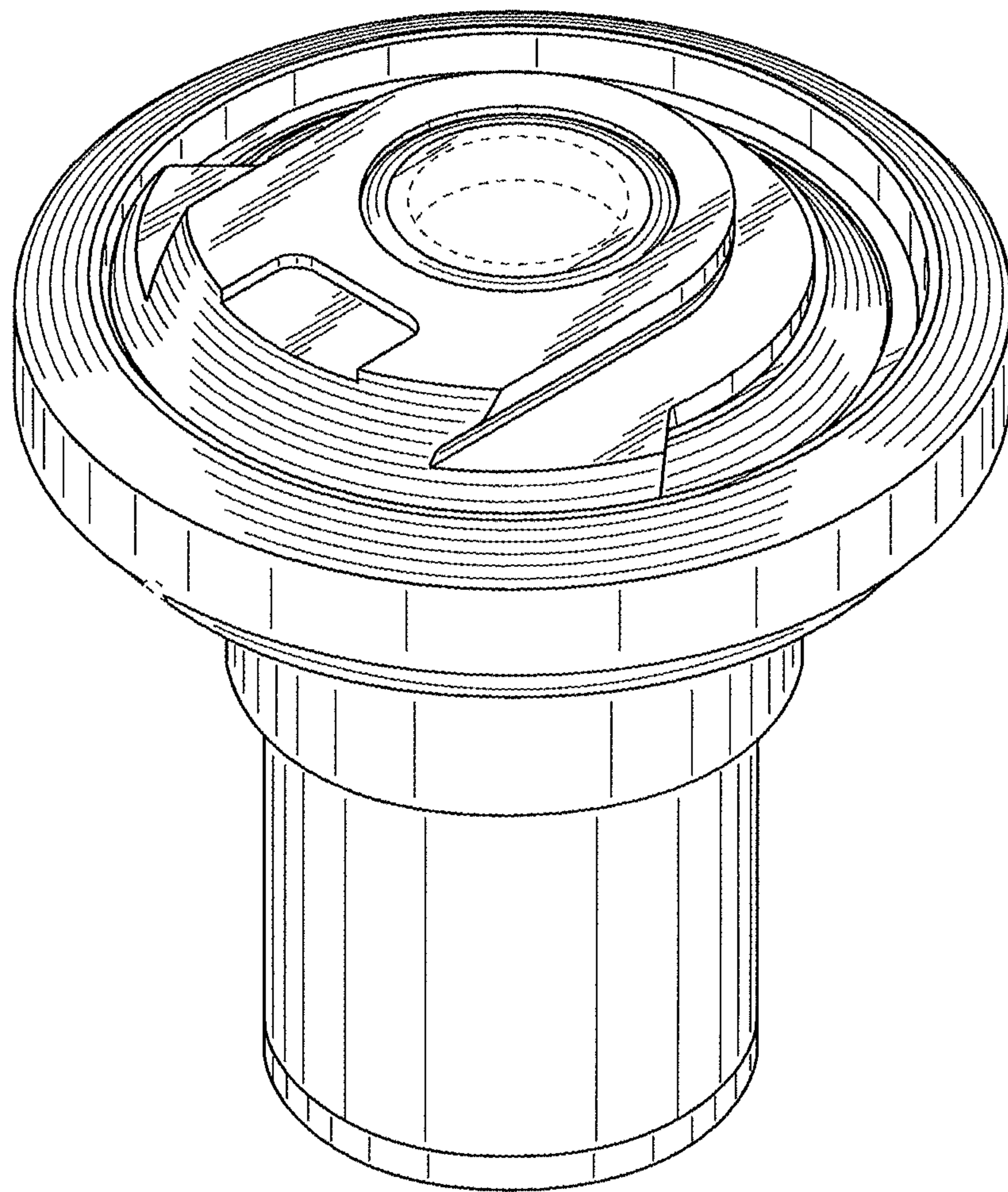
**References Cited**

U.S. PATENT DOCUMENTS

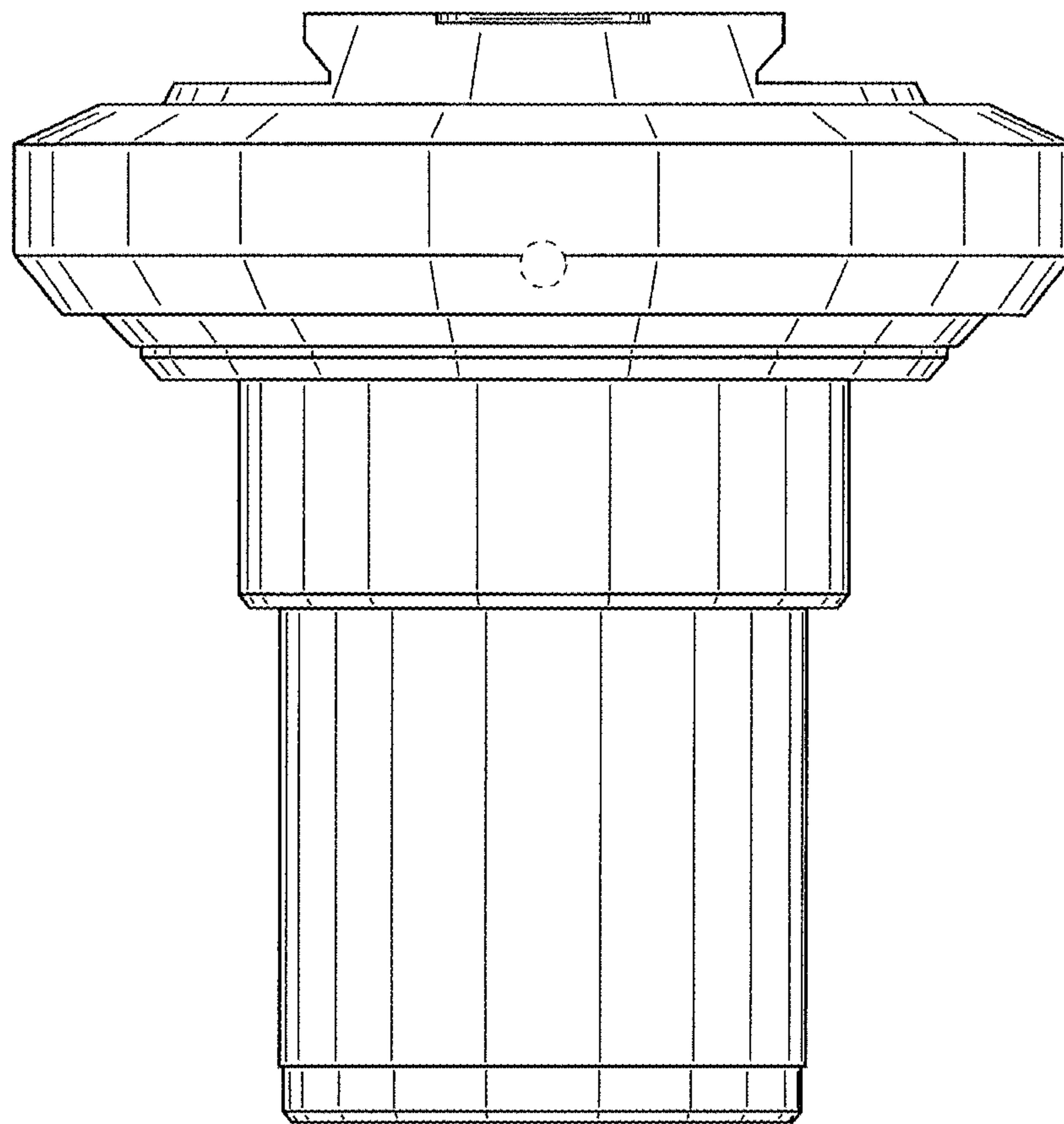
2015/0054935 A1\* 2/2015 Muramatsu ..... G02B 21/24  
348/79  
2016/0051142 A1\* 2/2016 Howes ..... A61B 3/14  
351/245

\* cited by examiner

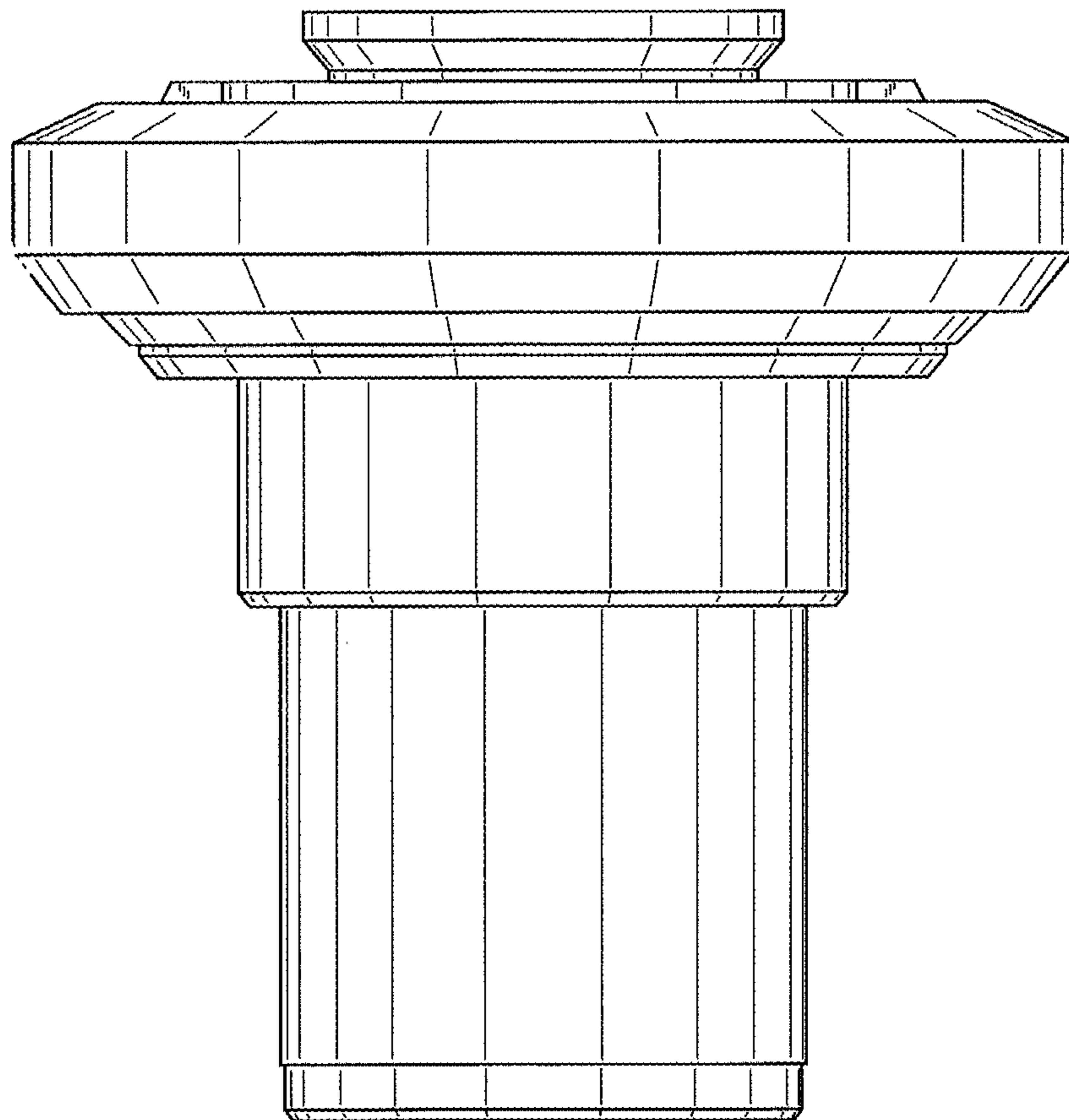
*FIG. 1*



**FIG. 2**

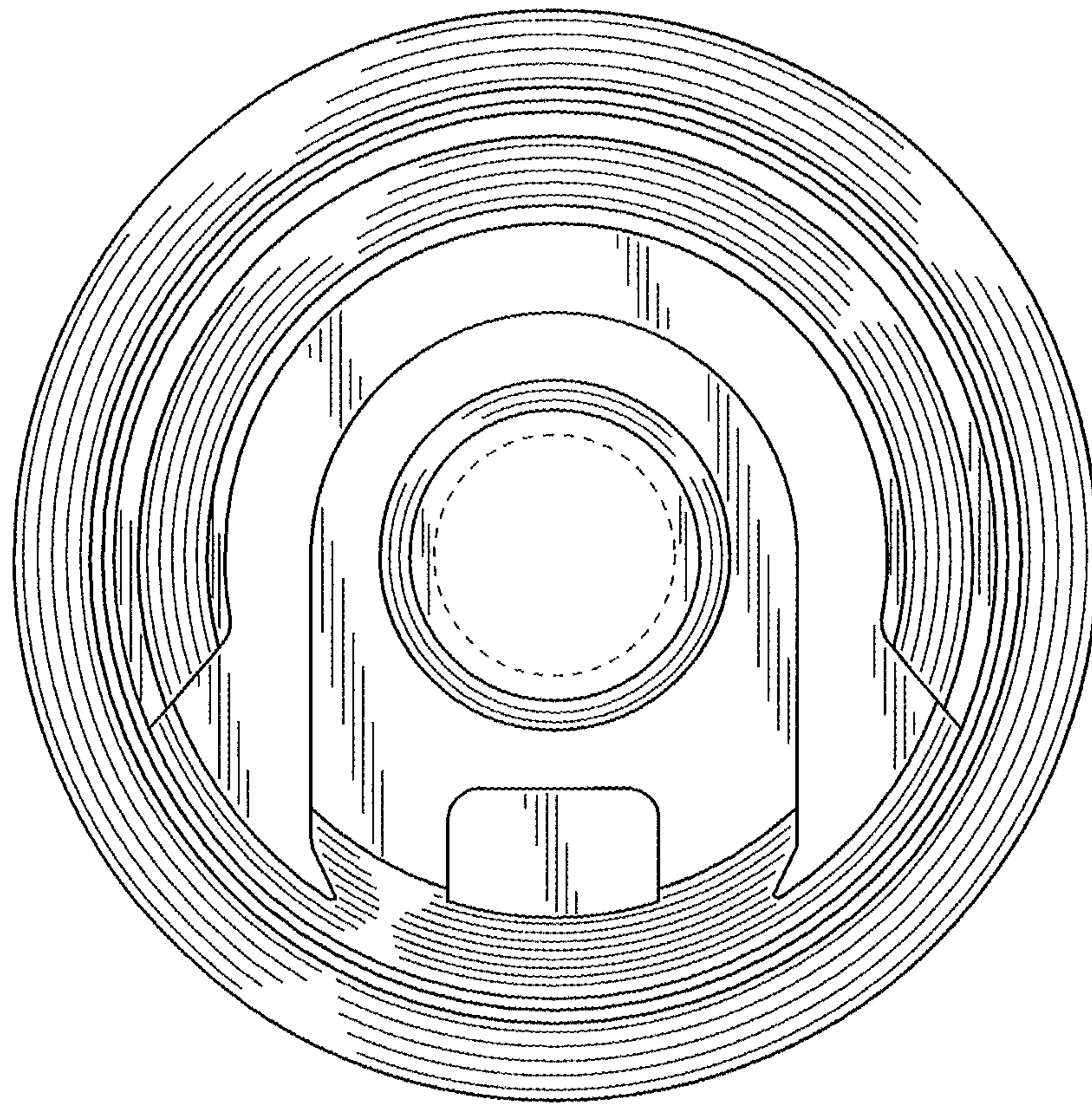


*FIG. 3*

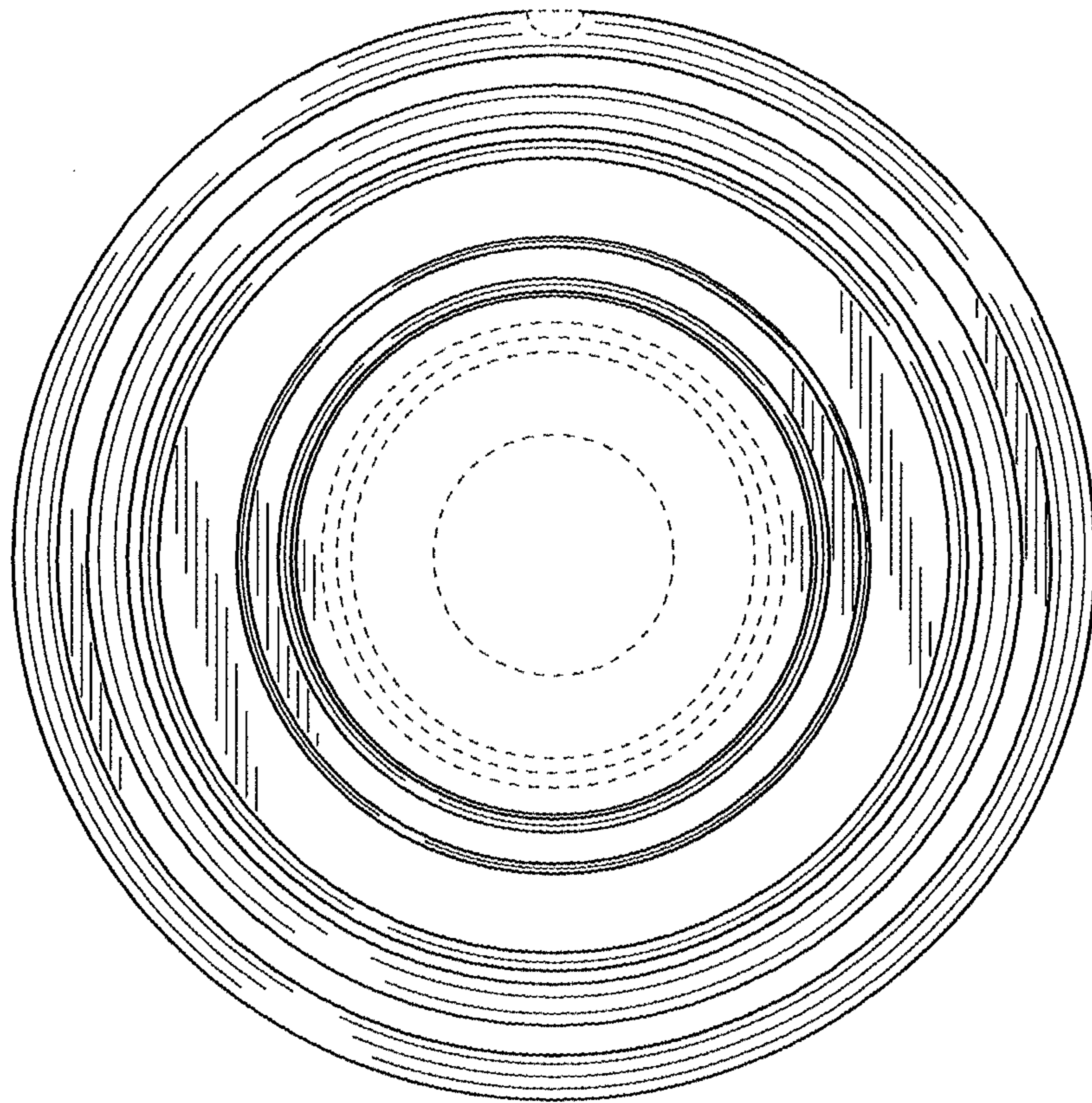




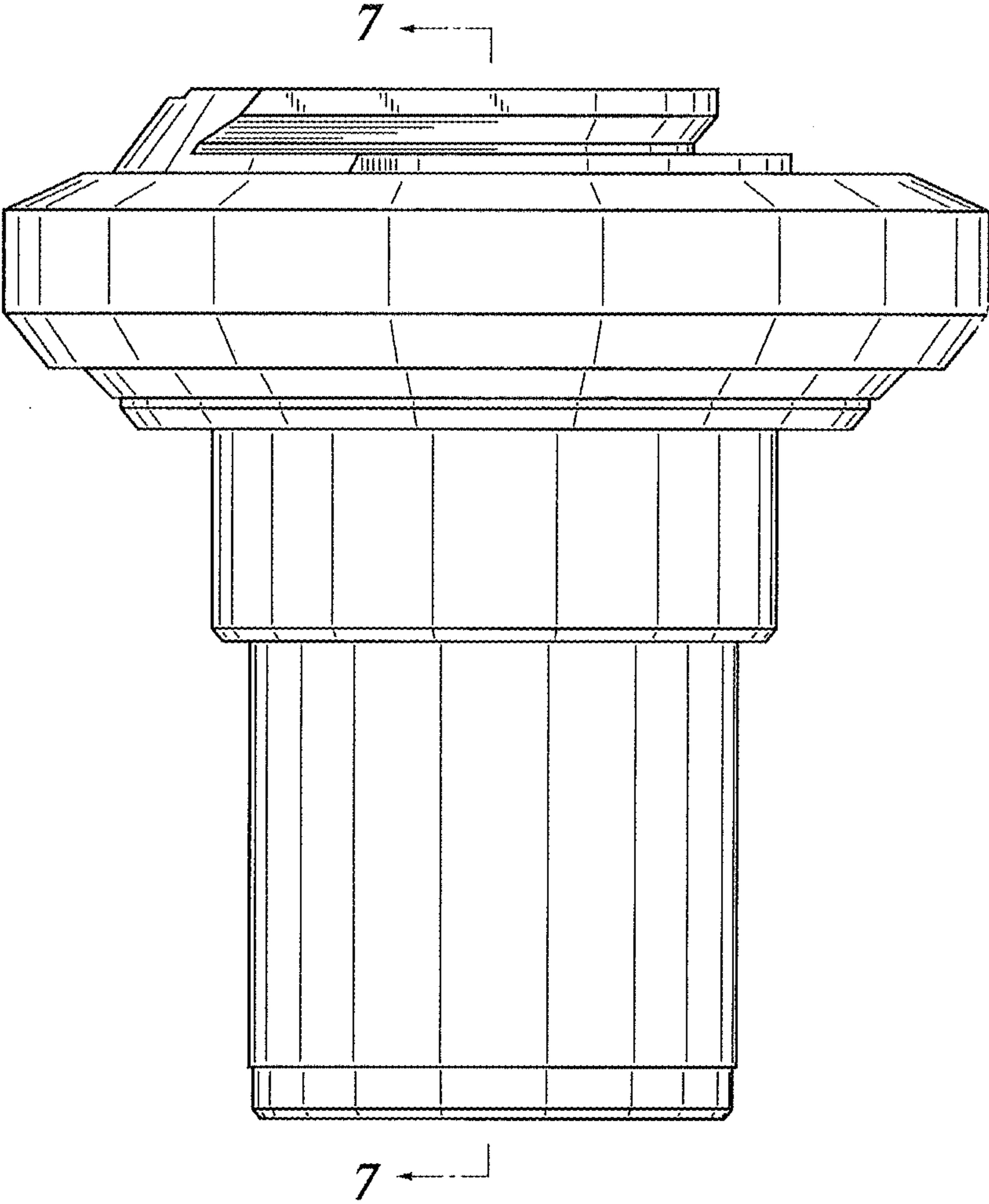
***FIG. 4***



*FIG. 5*



**FIG. 6**





*FIG. 7*

