



US00D786874S

(12) **United States Design Patent**
Eliyahu

(10) **Patent No.:** **US D786,874 S**

(45) **Date of Patent:** **** May 16, 2017**

(54) **SLIM 4-PORT USB HUB**

(71) Applicant: **Nexark, Inc.**, Los Angeles, CA (US)

(72) Inventor: **Menachem Eliyahu**, Los Angeles, CA (US)

(73) Assignee: **NEXARK, INC.**, Los Angeles, CA (US)

(**) Term: **15 Years**

(21) Appl. No.: **29/535,167**

(22) Filed: **Aug. 4, 2015**

(51) **LOC (10) Cl.** **14-02**

(52) **U.S. Cl.**
USPC **D14/433**

(58) **Field of Classification Search**
USPC D14/356, 432-434, 453, 454, 511, 203.8,
D14/209.1, 238.1, 240, 125; 439/638,
439/928, 105, 502; 710/303, 304;
361/679.41, 679.55, 679.56; D13/110,
D13/133, 146
CPC G06Q 20/202; G06Q 20/322; G06Q 20/32;
G06Q 20/20; G06Q 20/327
See application file for complete search history.

(56) **References Cited**

U.S. PATENT DOCUMENTS

D478,087 S * 8/2003 Aldridge D14/433
D537,036 S * 2/2007 Chen D14/433

D559,848 S * 1/2008 Siu D14/433
D559,849 S * 1/2008 Siu D14/433
D670,291 S * 11/2012 Dalton B25C 7/00
D14/433
D705,189 S * 5/2014 Chovin D14/159
D711,884 S * 8/2014 Turksu D14/433
D716,309 S * 10/2014 Krenkler D14/433
D740,291 S * 10/2015 Turksu D14/433
D743,398 S * 11/2015 Smith D14/433
D772,879 S * 11/2016 Eliyahu D14/433

* cited by examiner

Primary Examiner — Austin Murphy

(74) *Attorney, Agent, or Firm* — Leason Ellis LLP

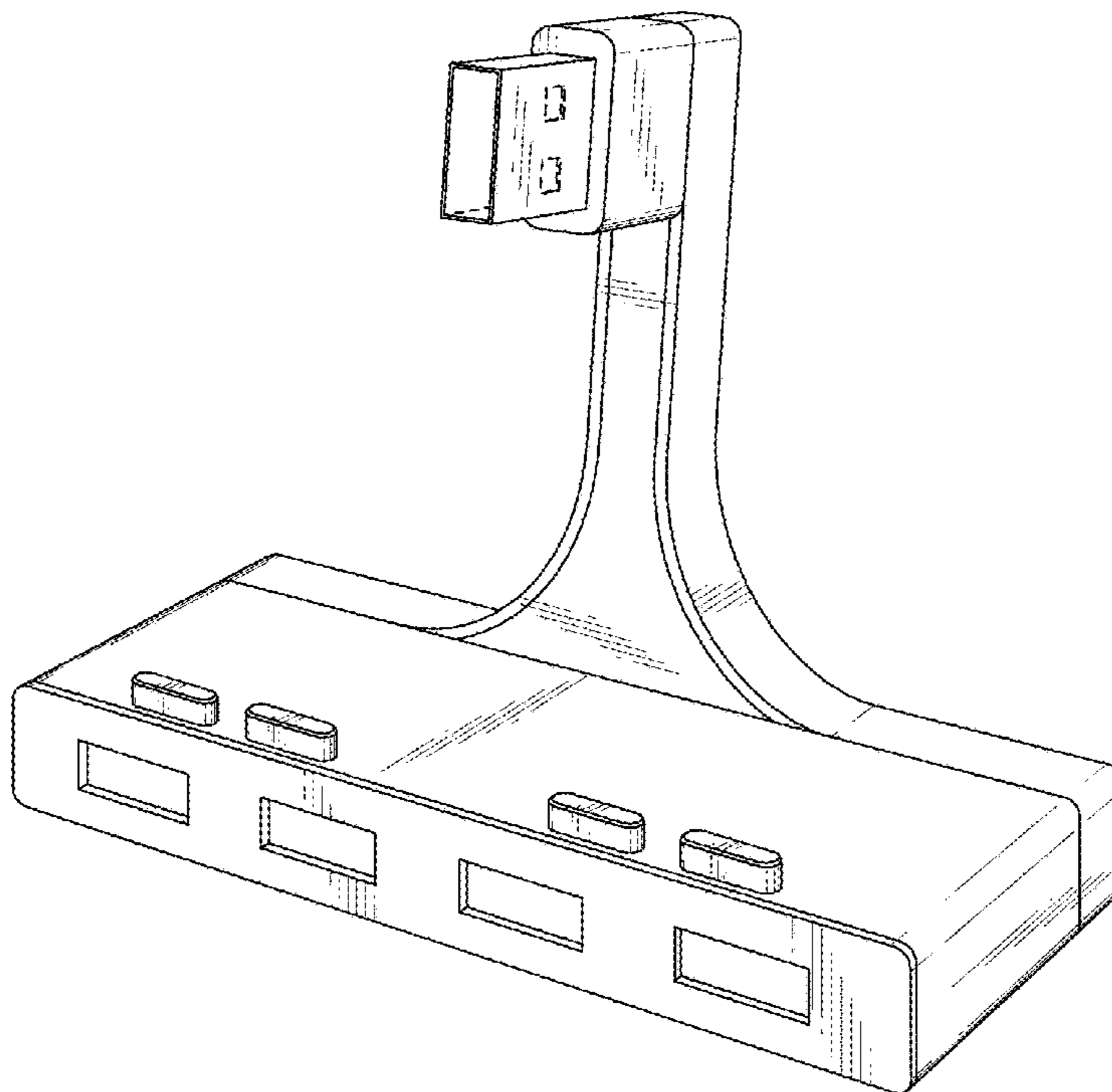
(57) **CLAIM**

I claim the ornamental design for the slim 4-port USB hub, as shown and described.

DESCRIPTION

FIG. 1 is a top, front, and right side perspective view of my new design for a slim 4-port USB hub;
FIG. 2 is a front elevation view thereof;
FIG. 3 is a rear elevation view thereof;
FIG. 4 is a right side elevation view thereof;
FIG. 5 is a left side elevation view thereof;
FIG. 6 is a top plan left side elevation view thereof; and,
FIG. 7 is a bottom plan view thereof.

1 Claim, 4 Drawing Sheets



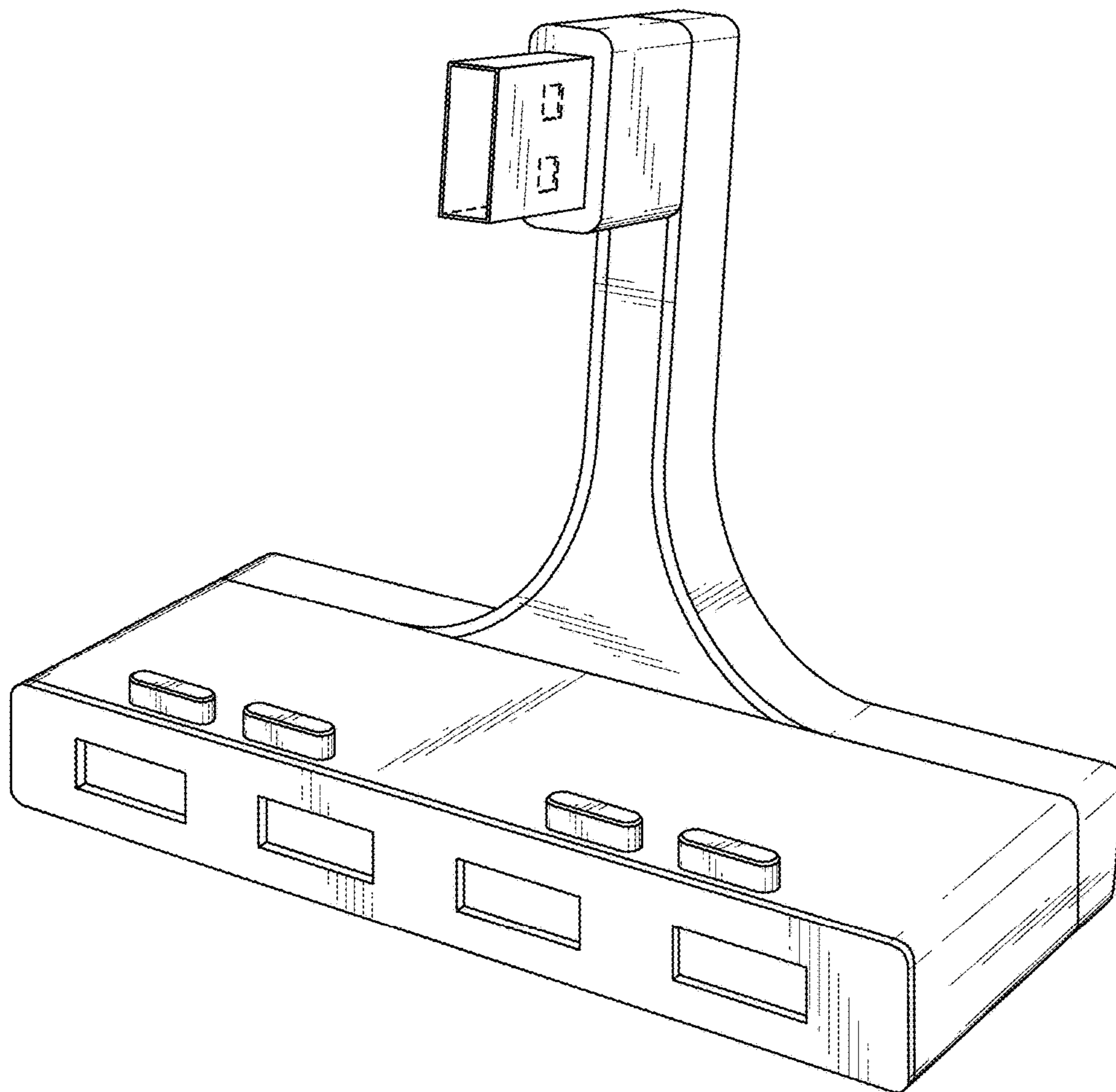


Fig. 1

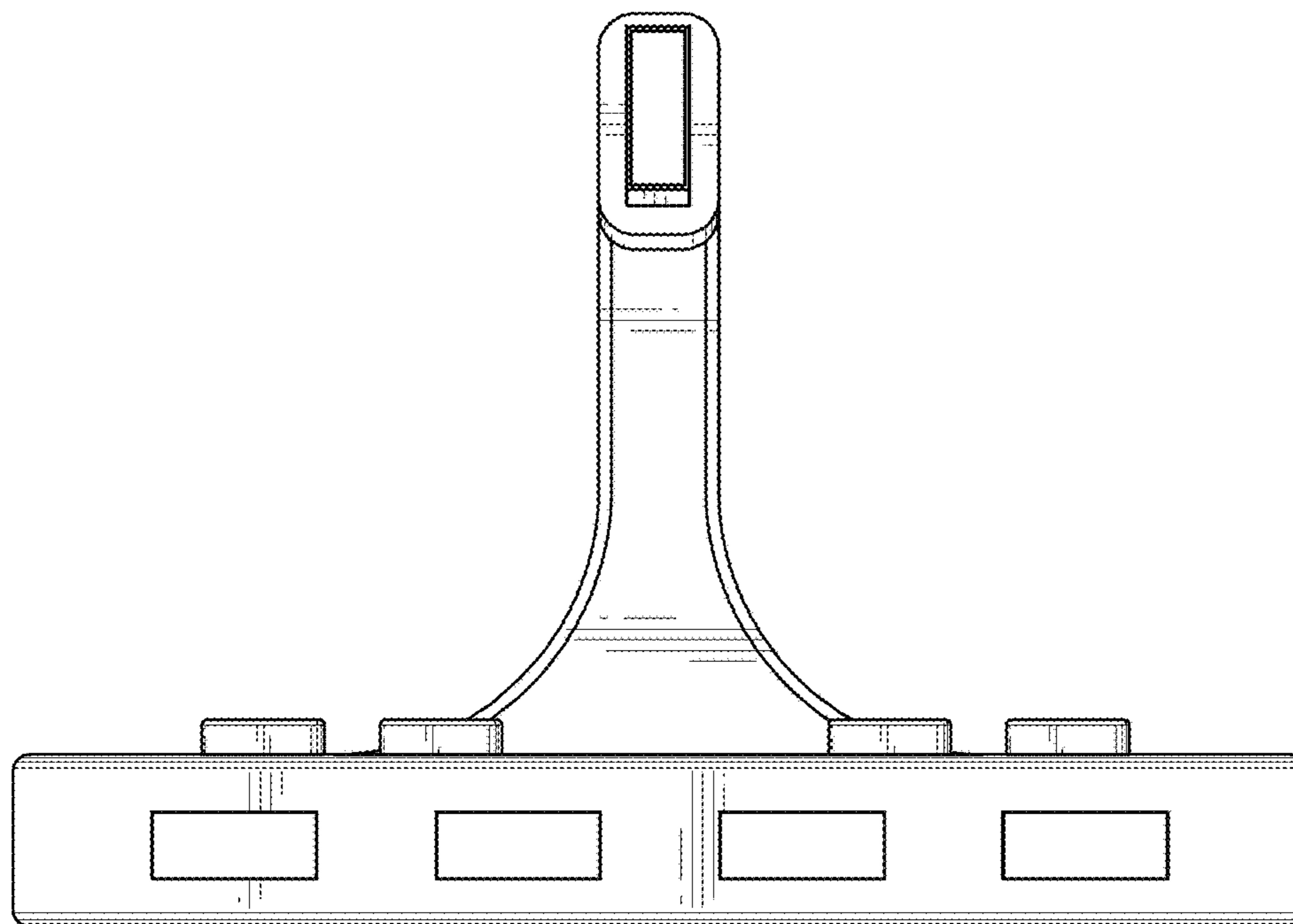


Fig. 2

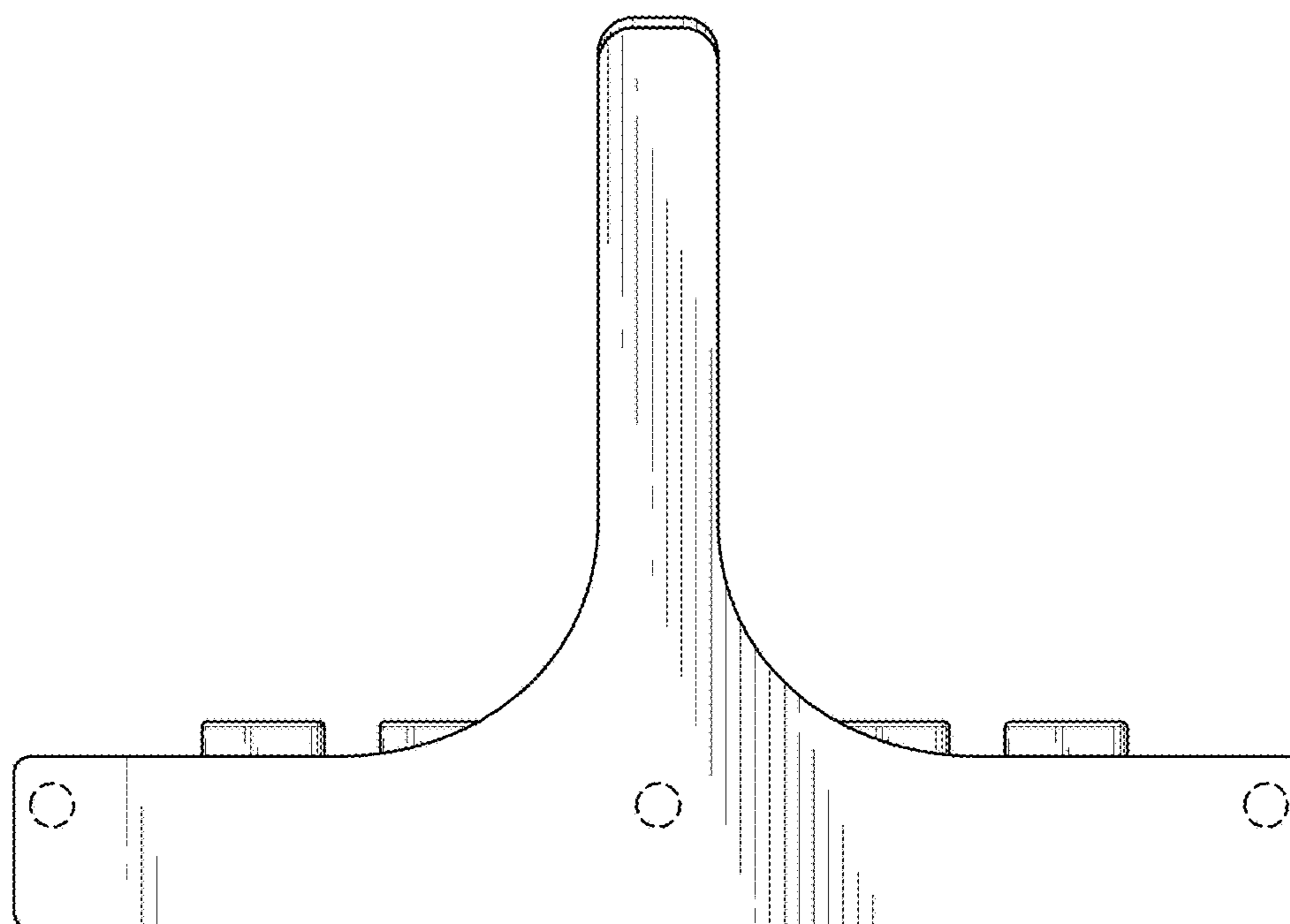


Fig. 3

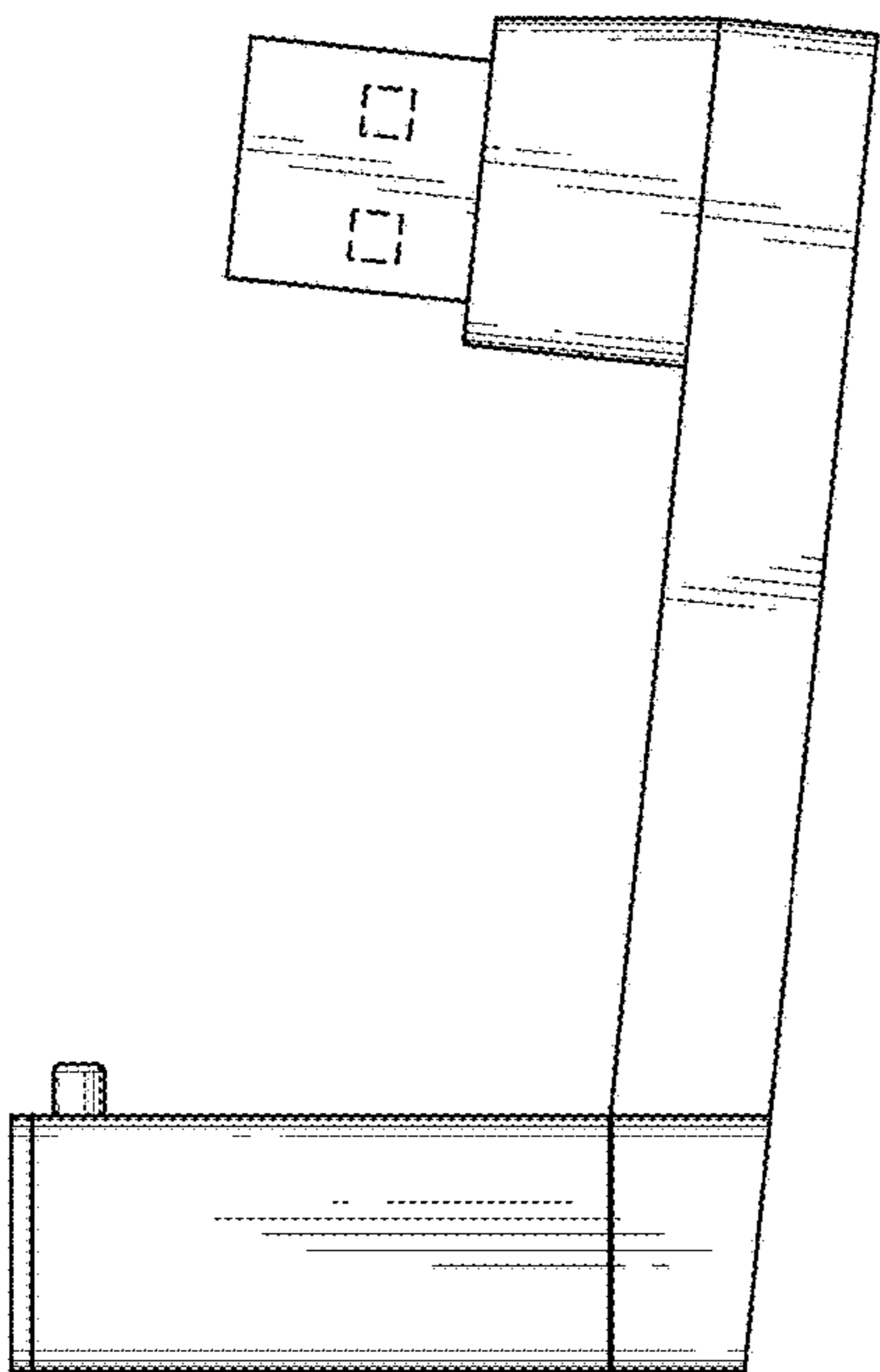


Fig. 4

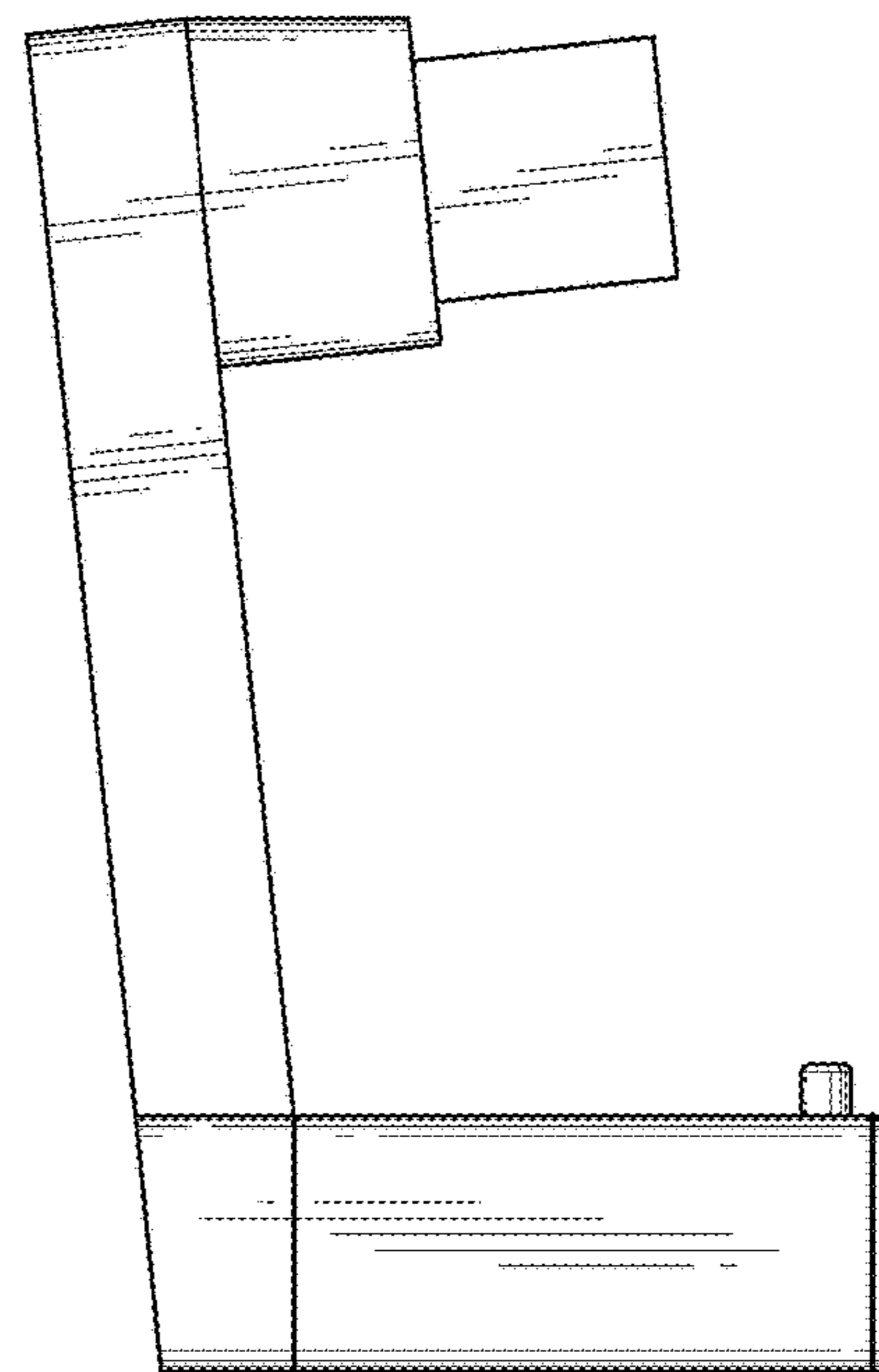


Fig. 5

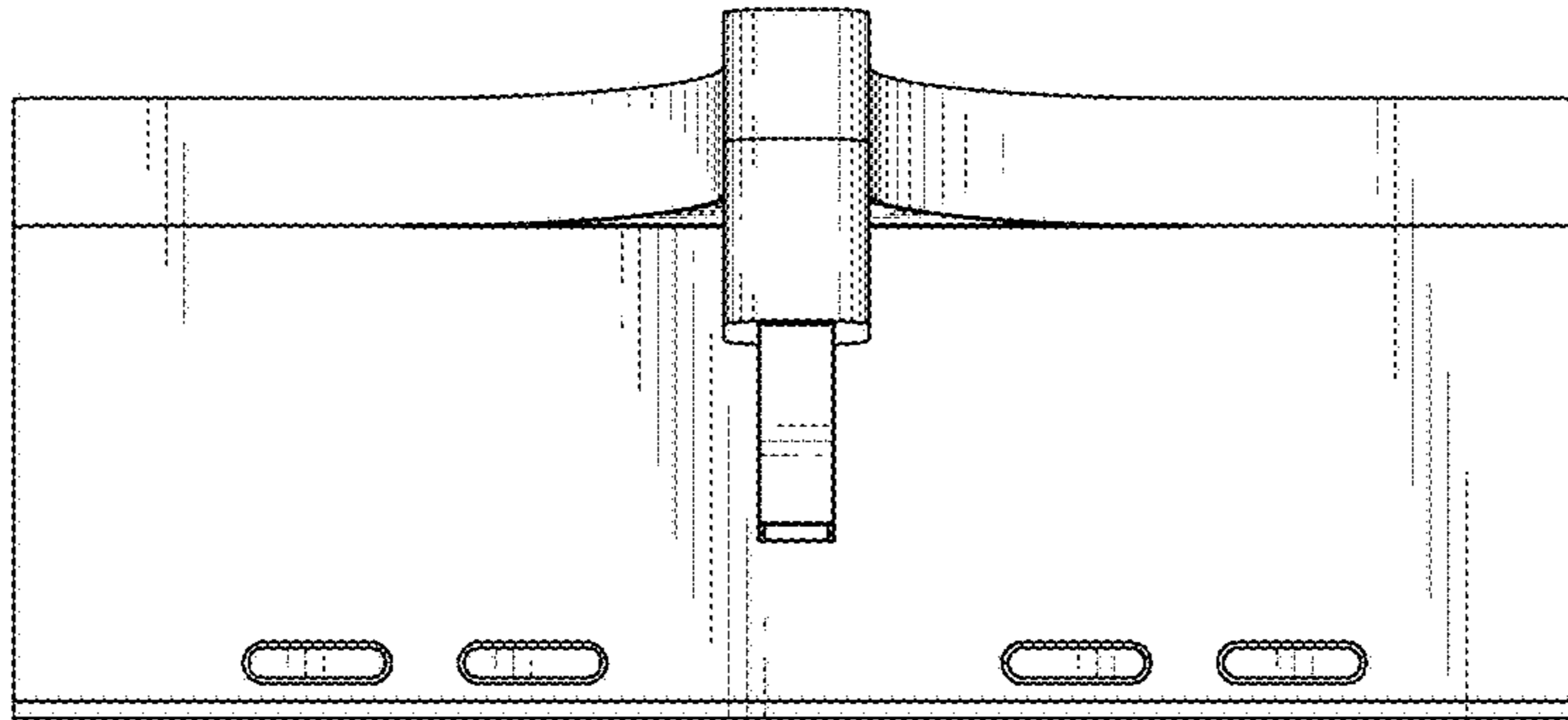


Fig. 6

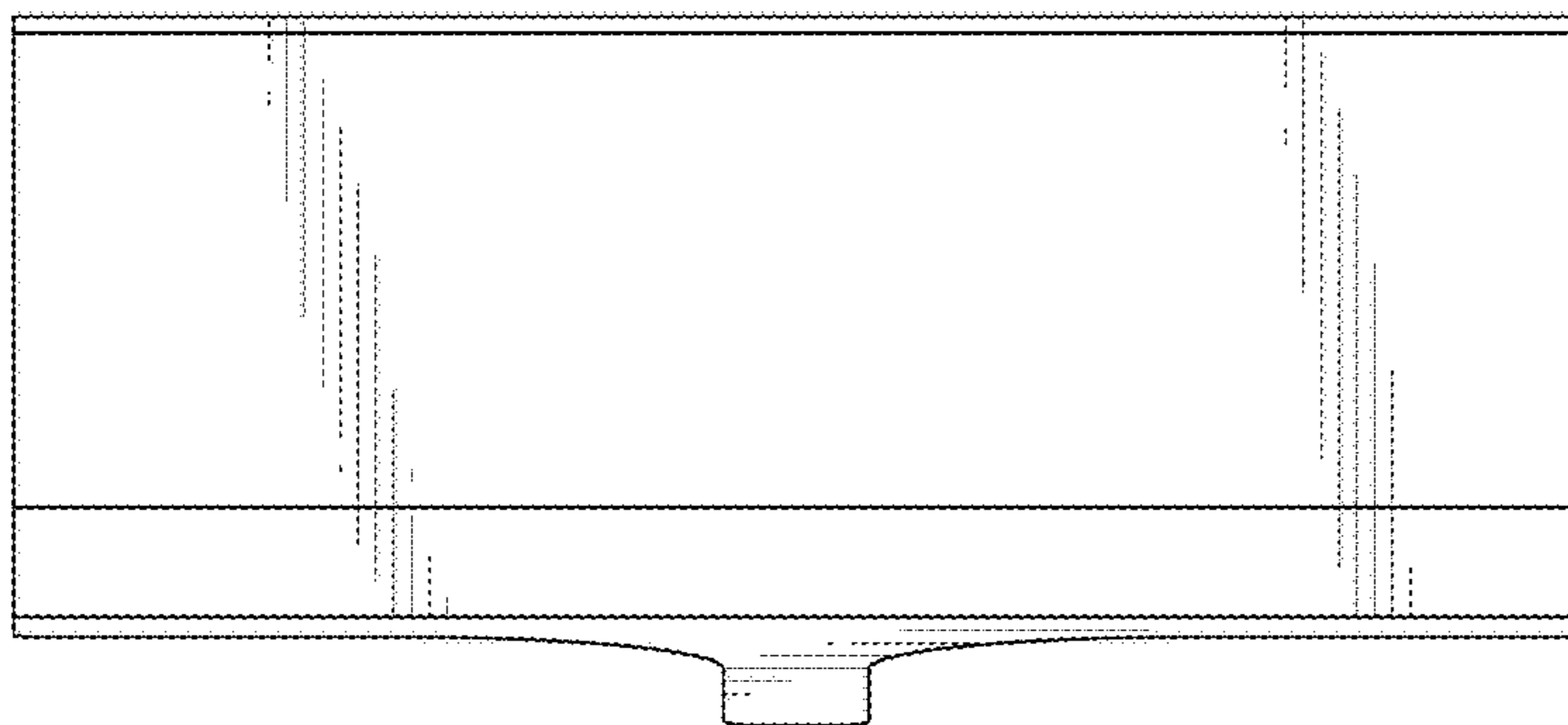


Fig. 7