



US00D786873S

(12) **United States Design Patent** (10) **Patent No.:** **US D786,873 S**  
**Yamamoto et al.** (45) **Date of Patent:** **\*\* May 16, 2017**

(54) **READ DEVICE FOR OPTICALLY READING INFORMATION**

(71) Applicant: **DENSO WAVE INCORPORATED**,  
Chita-gun, Aichi-pref. (JP)

(72) Inventors: **Kenryo Yamamoto**, Takahama (JP);  
**Hiroki Hoshida**, Kariya (JP)

(73) Assignee: **DENSO WAVE INCORPORATED**,  
Aichi-Pref. (JP)

(\*\*) Term: **15 Years**

(21) Appl. No.: **29/557,296**

(22) Filed: **Mar. 8, 2016**

(30) **Foreign Application Priority Data**

Sep. 11, 2015 (JP) ..... 2015-20244

(51) **LOC (10) Cl.** ..... **14-02**

(52) **U.S. Cl.**  
USPC ..... **D14/428**

(58) **Field of Classification Search**

USPC ..... D14/420, 426-430, 453, 346, 341, 347,  
D14/412, 138; D13/107, 184; 358/473;  
235/462.43, 462.45, 462.47, 462.48,  
235/462.44, 462.46, 487, 472.01, 472.02,  
235/145 A, 145 R; D10/78; 324/426;  
D3/273; 710/73; D18/7; 361/679, 728,  
361/679.56; 382/313, 321; 455/575.1,  
455/561, 572; 345/156, 168, 169, 172,  
345/173, 87; 705/17, 18, 22-25

CPC ..... G06F 1/626; G06F 1/1626; G06F 1/1656;  
G06F 1/1632; G06F 1/1684; G06F  
1/1635; G06F 8/63; G06F 17/30091;  
G06F 9/4401; G06K 7/10881; G06K  
7/1098; G06K 7/10722; G06K 7/1404;  
G06K 7/0004; G06K 7/10633; G06K  
7/10851; G06K 7/1091; G06K 7/1092;  
G06K 7/1093; G06K 7/10; G06K 7/109;

G06K 7/1417; G06K 9/228; G06K  
17/0022; G06K 17/00; G06K 2207/1011;  
G06K 2207/1013; G06K 2207/1016;  
G06K 2207/1018; G06K 2017/0051;  
G06K 2017/0067; G06K 2007/10524;  
G07G 1/0081; G07G 1/009; G06Q 20/20;  
G06Q 20/201; G06Q 20/202;  
(Continued)

(56) **References Cited**

U.S. PATENT DOCUMENTS

D618,813 S \* 6/2010 Doo ..... D24/200  
D692,004 S \* 10/2013 Man ..... D14/426  
(Continued)

*Primary Examiner* — Susan Moon Lee

(74) *Attorney, Agent, or Firm* — Oliff PLC

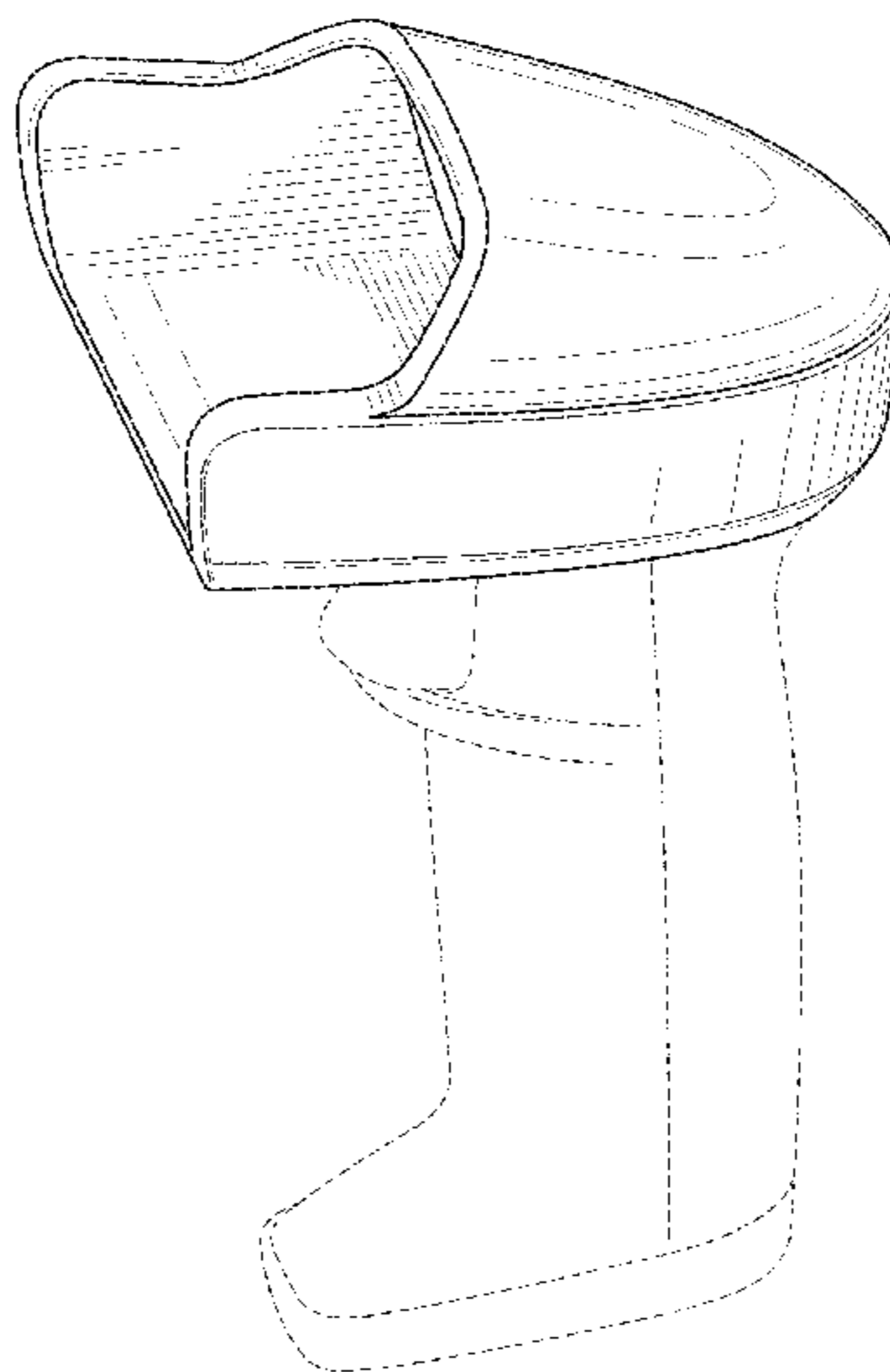
(57) **CLAIM**

We claim the ornamental design for a read device for optically reading information, as shown and described.

**DESCRIPTION**

FIG. 1 is a perspective view of a read device for optically reading information, showing a new design;  
FIG. 2 is a front view of the read device shown in FIG. 1;  
FIG. 3 is a rear view of the read device shown in FIG. 1;  
FIG. 4 is a right side view of the read device shown in FIG. 1;  
FIG. 5 is a left side view of the read device shown in FIG. 1;  
FIG. 6 is a top view of the read device shown in FIG. 1; and  
FIG. 7 is a bottom view of the read device shown in FIG. 1.  
The broken lines and unshaded portions contained within broken lines depict exemplary components of the read device that are being shown for illustrative purposes only and that form no part of the claimed design.

**1 Claim, 7 Drawing Sheets**



(58) **Field of Classification Search**

CPC ..... G06Q 20/203; G06Q 20/30; G06Q 20/32;  
G06Q 20/322; G06Q 20/4014; G06Q  
10/087; H04N 1/00127; H04N 1/00135;  
H04N 1/00326; H04N 1/00334; H04N  
1/00307; H04N 1/107; H04N 2201/0084;  
H04N 2101/00; H04M 1/0249; H04M  
1/0262; H04M 1/0266; H04M 1/18;  
H04M 1/23; H04M 1/236; H04B 1/3827;  
H04B 1/3833; H04B 1/3877; H04B  
1/3883; H04B 1/3888; H04B 2001/3894;  
H01M 2/1066

See application file for complete search history.

(56) **References Cited**

U.S. PATENT DOCUMENTS

D719,955 S \* 12/2014 Hsu ..... D14/428  
D724,749 S \* 3/2015 Koby ..... D24/209

9,183,426 B2 \* 11/2015 Gannon ..... G06K 7/10881  
2003/0226895 A1 \* 12/2003 Havens ..... G06K 7/10584  
235/462.22  
2009/0289116 A1 \* 11/2009 Copeland ..... G06K 7/0004  
235/440  
2009/0312053 A1 \* 12/2009 An ..... G06K 7/10326  
455/556.2  
2010/0026498 A1 \* 2/2010 Bellows ..... G06K 7/0004  
340/572.7  
2011/0290889 A1 \* 12/2011 Tamburrini ..... G06K 7/10881  
235/470  
2012/0187192 A1 \* 7/2012 Lee ..... G06K 7/10891  
235/462.44  
2014/0018128 A1 \* 1/2014 Martin ..... G06K 7/0004  
455/556.1  
2015/0220765 A1 \* 8/2015 Carnevali ..... G06K 7/10881  
235/462.45  
2016/0094070 A1 \* 3/2016 Mazzone ..... H02J 7/0044  
320/115  
2016/0321484 A1 \* 11/2016 Yamamoto ..... G06K 7/10732

\* cited by examiner

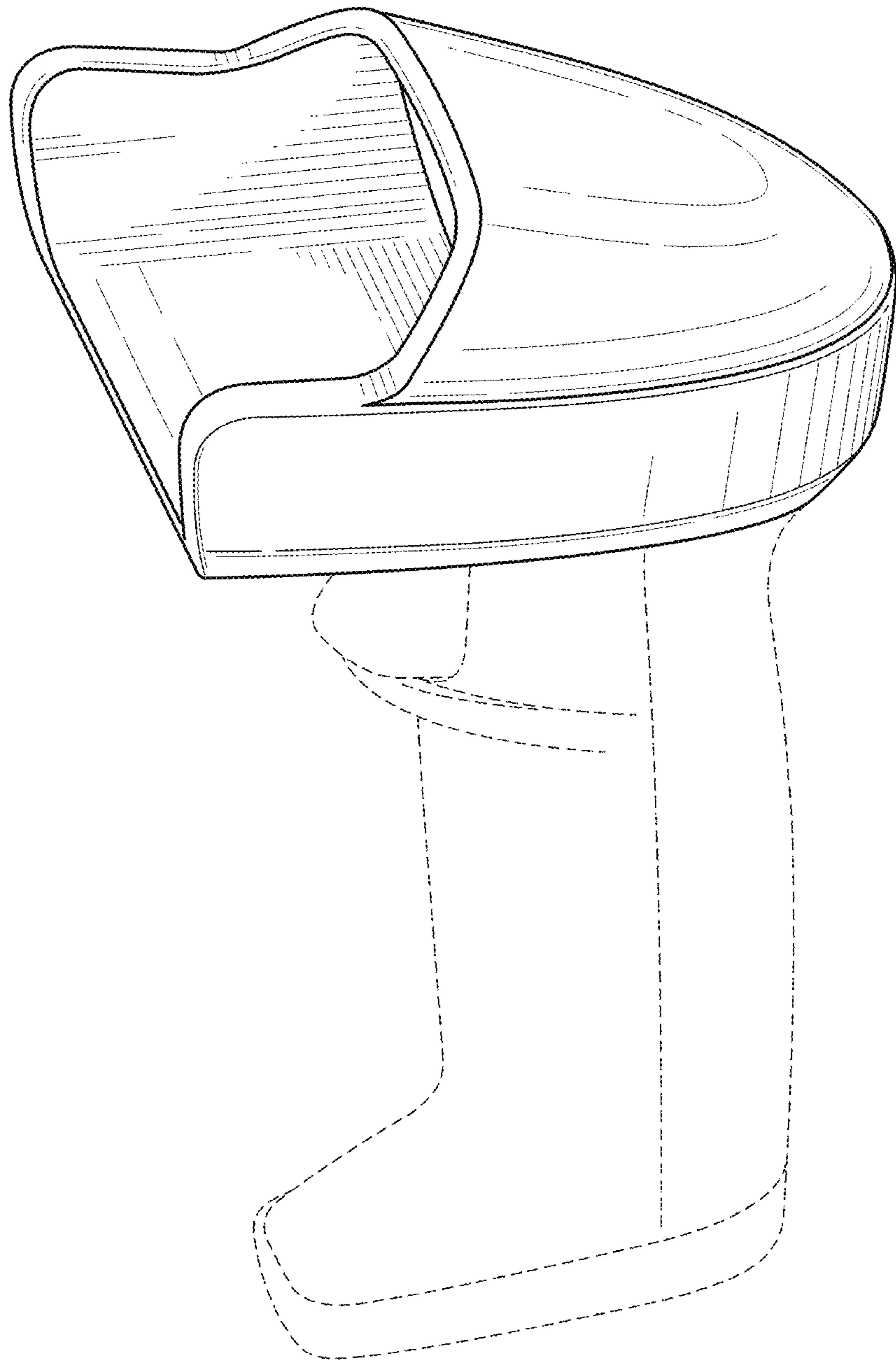


FIG. 1

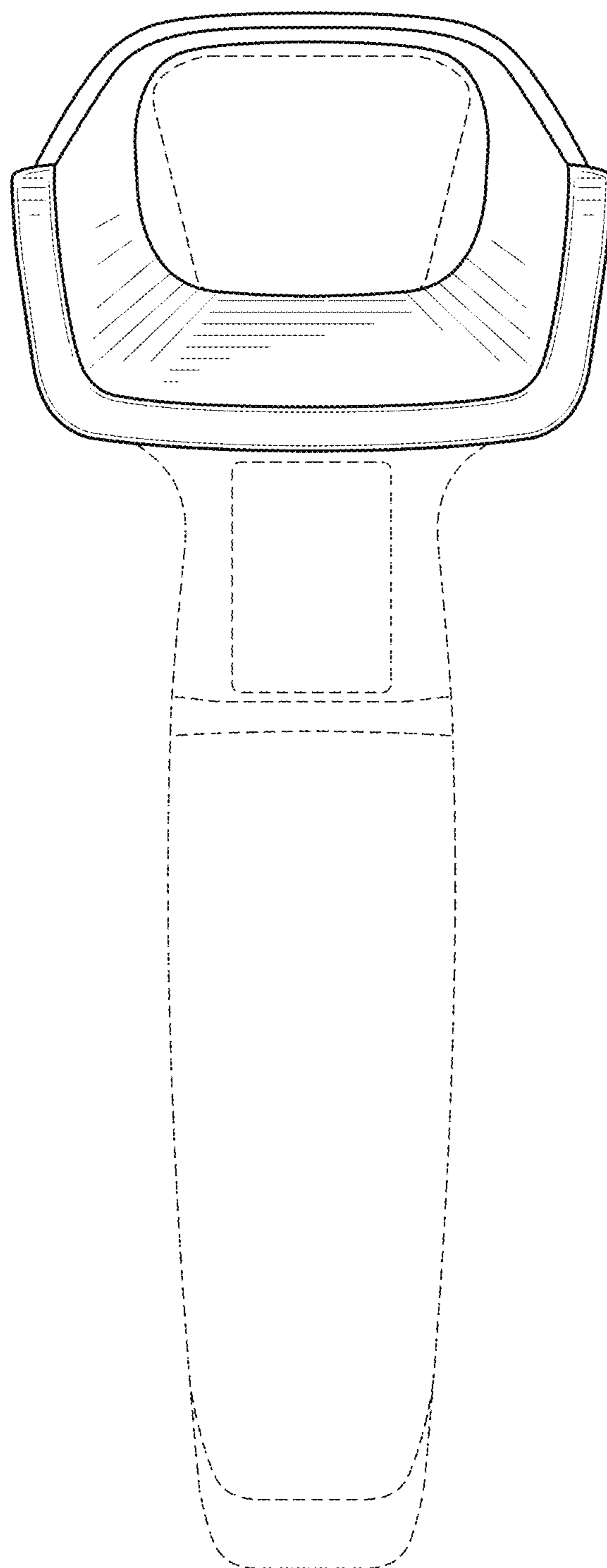


FIG. 2

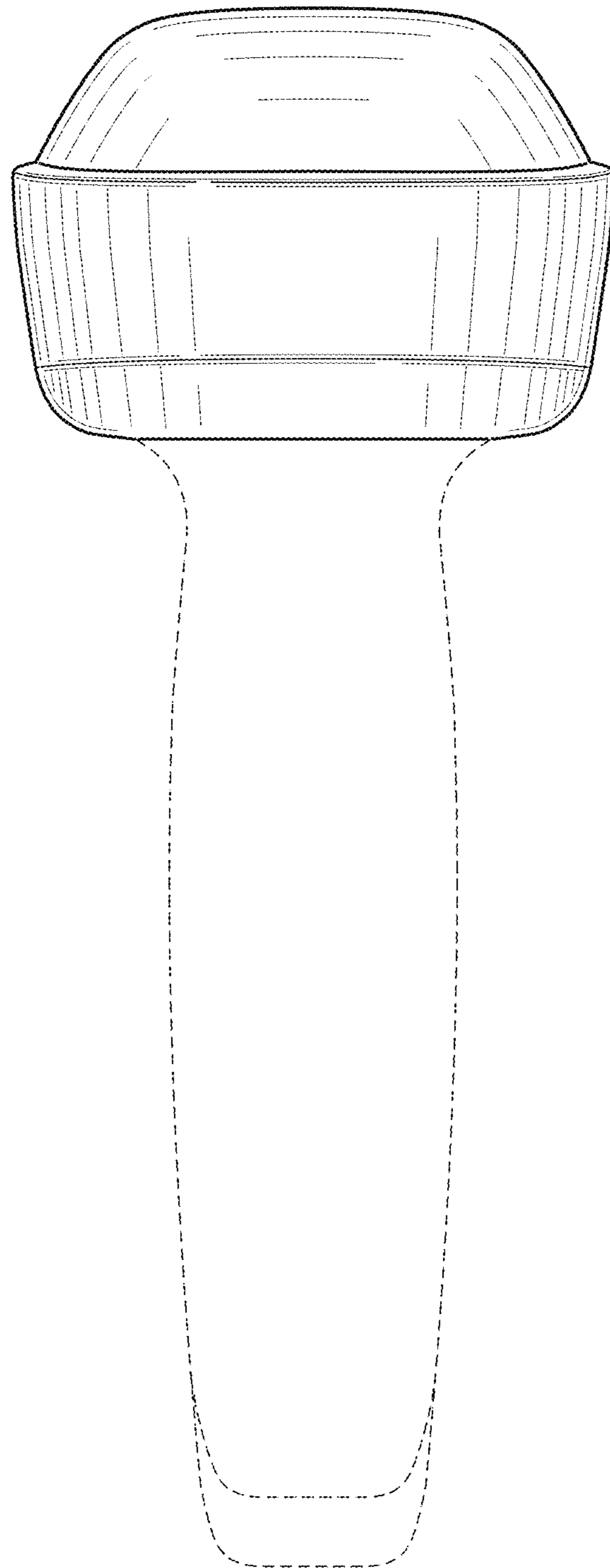


FIG. 3

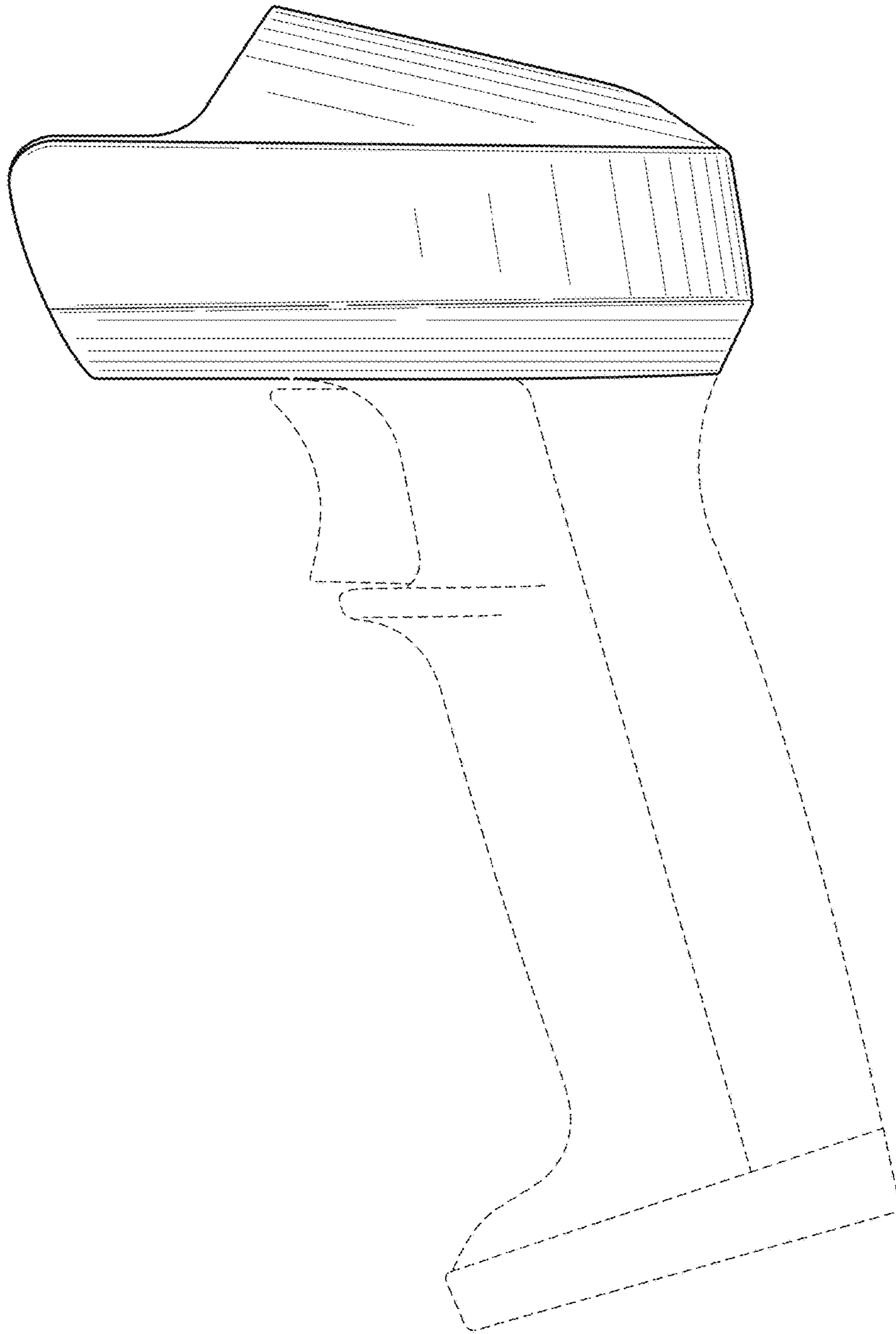


FIG. 4

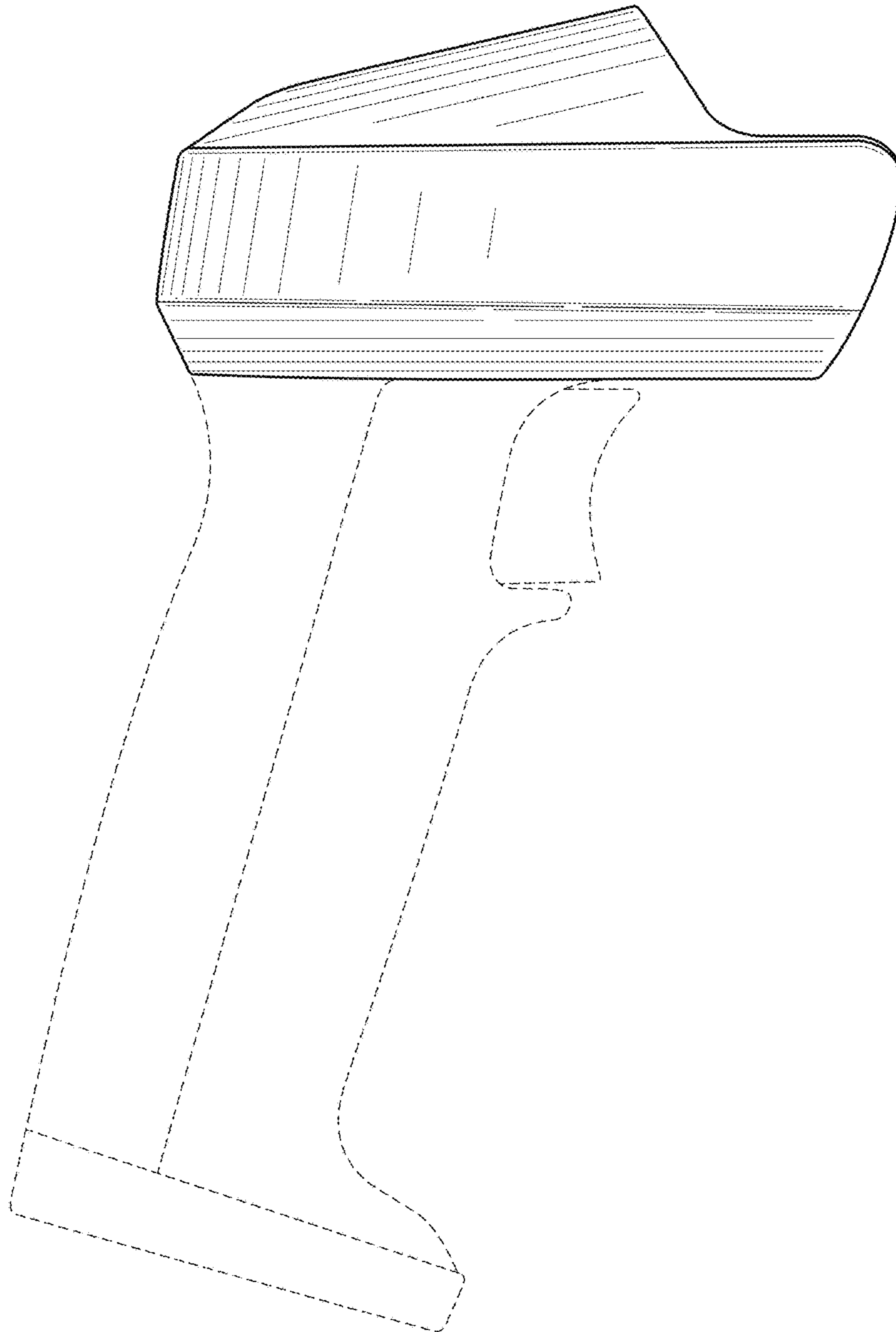


FIG. 5

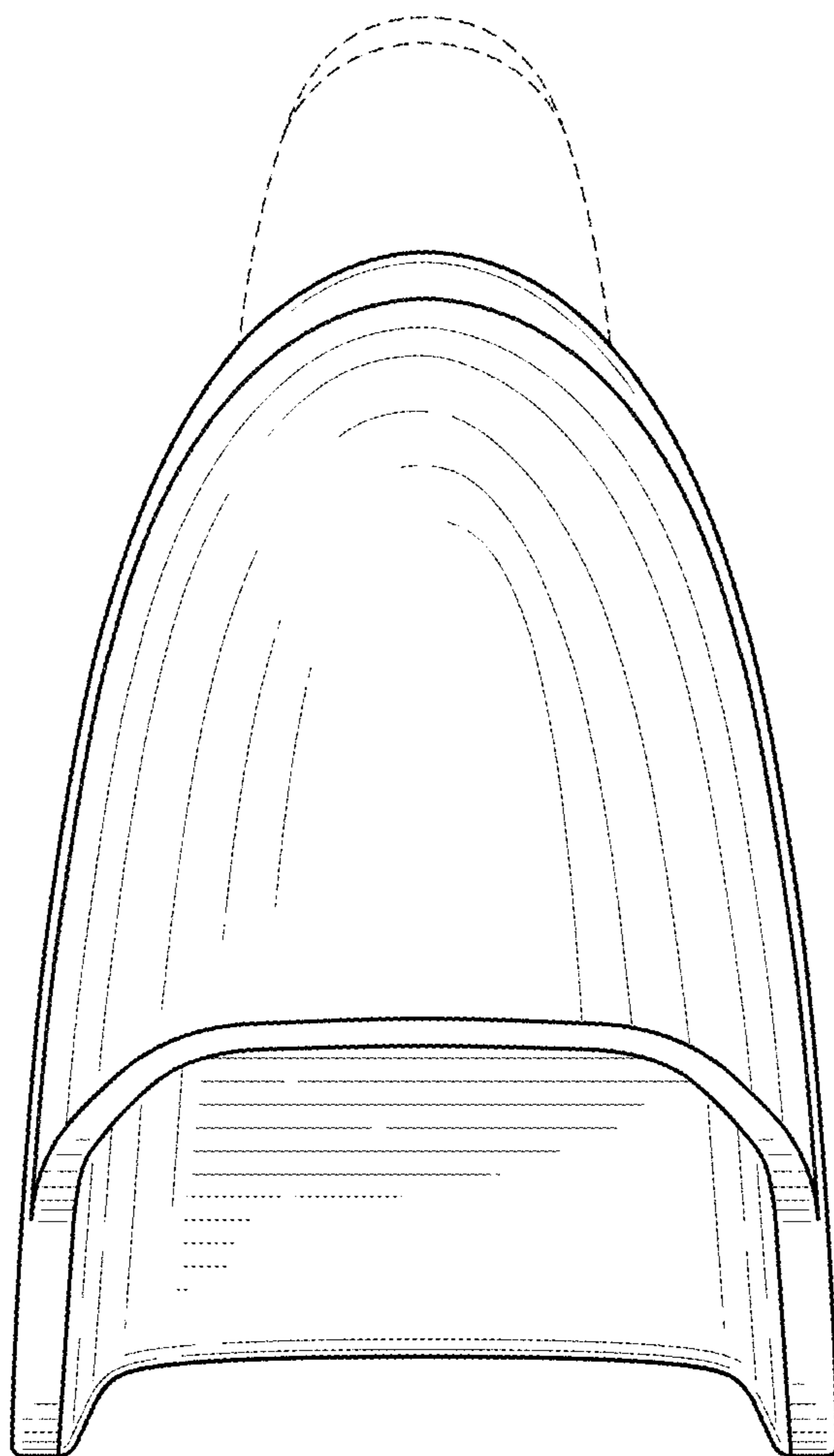


FIG. 6



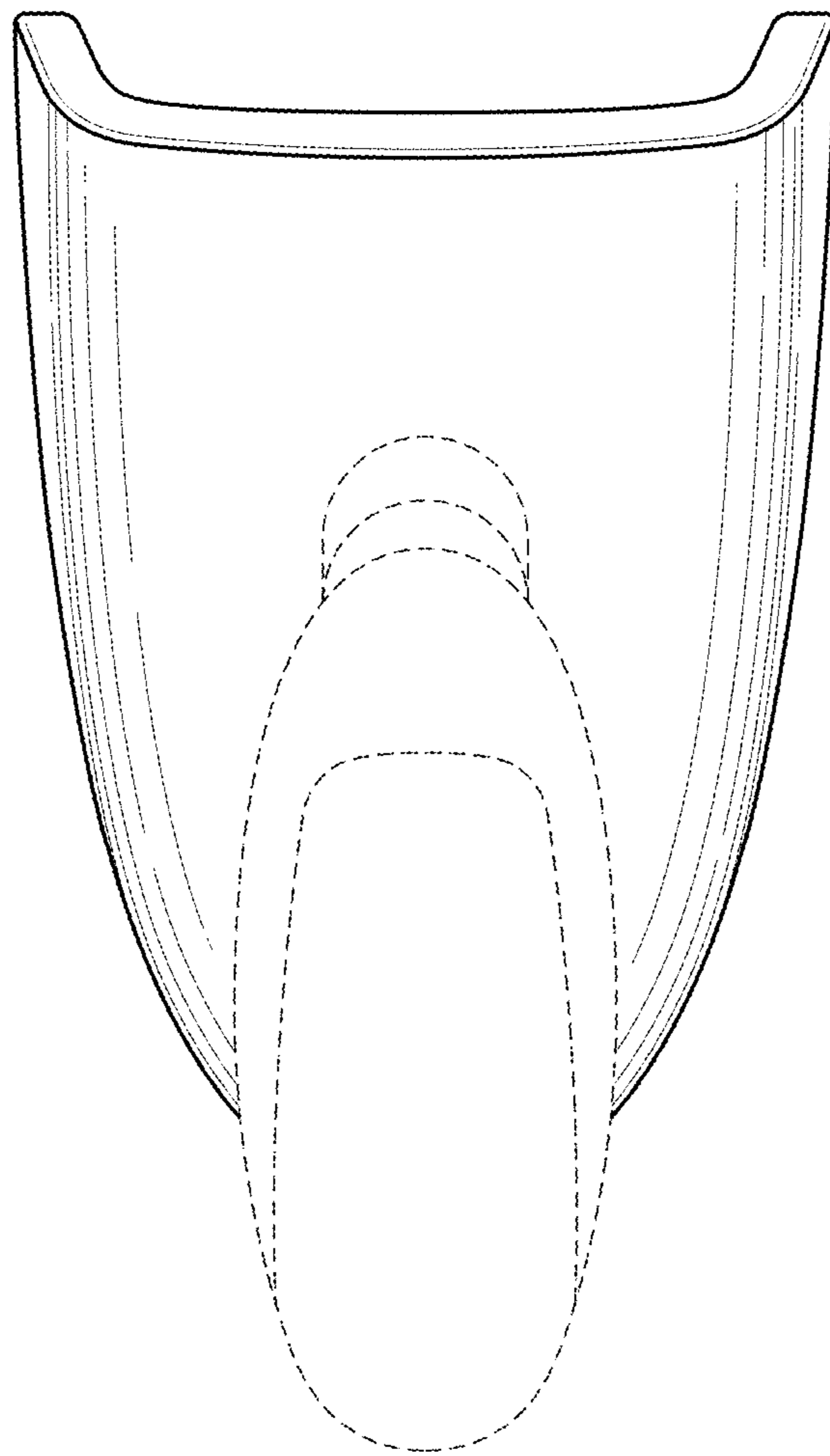


FIG. 7