



US00D786872S

(12) **United States Design Patent** (10) **Patent No.:** **US D786,872 S**
Akers, Jr. et al. (45) **Date of Patent:** **** May 16, 2017**

(54) **CARTRIDGE FOR SCANNING DEVICE**

(71) Applicant: **Akers BioSciences, Inc.**, Thorofare, NJ (US)

(72) Inventors: **Raymond F. Akers, Jr.**, Sewell, NJ (US); **Richard E. McKee**, Pilesgrove, NJ (US)

(73) Assignee: **AKERS BIOSCIENCES, INC.**, Thorofare, NJ (US)

(**) Term: **15 Years**

(21) Appl. No.: **29/564,405**

(22) Filed: **May 12, 2016**

(51) **LOC (10) Cl.** **07-05**

(52) **U.S. Cl.**
USPC **D14/411**

(58) **Field of Classification Search**
USPC D14/372, 496, 432, 371, 125, 126, 129, D14/299, 411; D16/300-342; 351/158, 351/153, 144; 345/7-9, 905; 455/344; 348/115, 53, 121, 739
CPC G02B 27/017; G06F 3/016; G06F 3/033; G06F 3/0317; G06F 3/03545; G06F 3/041; G06K 9/222
See application file for complete search history.

(56) **References Cited**

U.S. PATENT DOCUMENTS

D472,240 S * 3/2003 Seog D14/411
7,671,850 B2 * 3/2010 Fermgard G06F 3/03545
345/179

D641,222 S * 7/2011 Molina D14/411
D686,618 S * 7/2013 Wilson D14/411
D704,188 S * 5/2014 Leung D14/411
D720,348 S * 12/2014 Robinson D14/411
D749,173 S * 2/2016 Walker D19/180
D771,047 S * 11/2016 Martindale D14/411
D771,048 S * 11/2016 Martindale D14/411
D772,875 S * 11/2016 Kim D14/411
2003/0118394 A1 * 6/2003 King B41J 3/36
401/195

* cited by examiner

Primary Examiner — Austin Murphy

(74) *Attorney, Agent, or Firm* — Panitch Schwarze Belisario & Nadel LLP

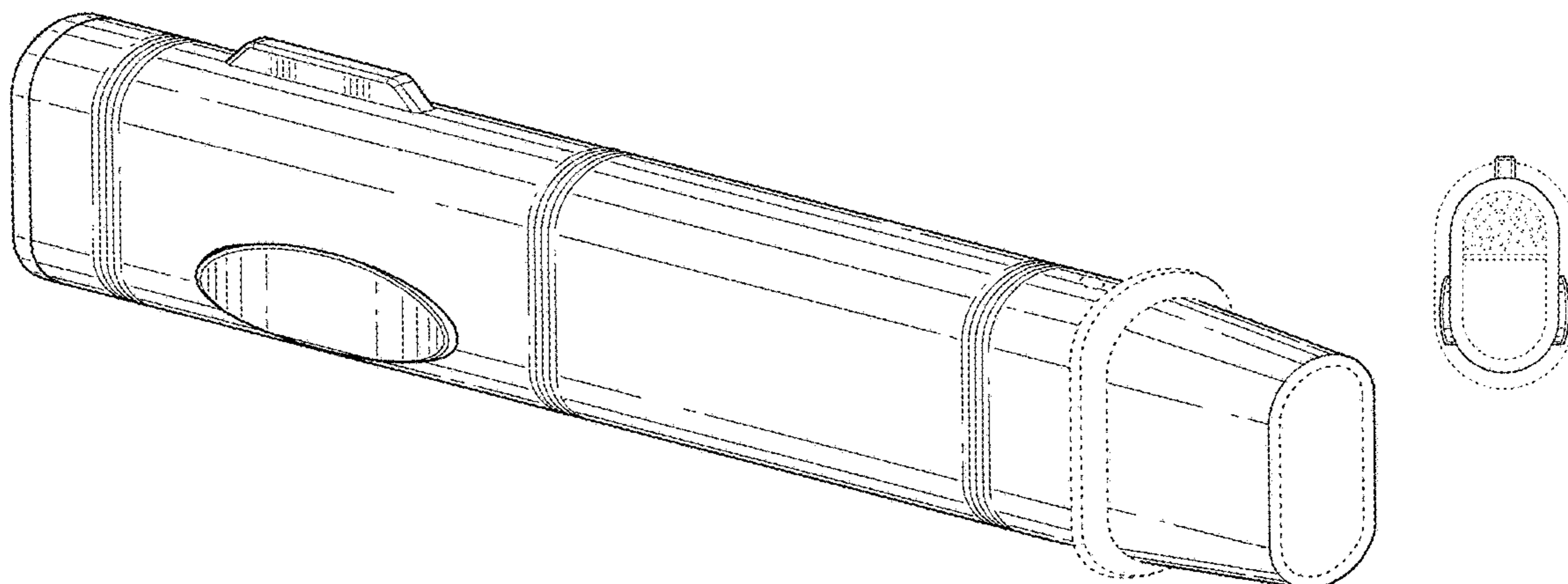
(57) **CLAIM**

The ornamental design for a cartridge for a scanning device, as shown and described.

DESCRIPTION

FIG. 1 is a front and left side perspective view of a cartridge for a scanning device in accordance with our new design; FIG. 2 is a front elevational view thereof; FIG. 3 is a rear elevational view thereof; FIG. 4 is a top plan view thereof; FIG. 5 is a bottom plan view thereof; FIG. 6 is a left side elevational view thereof; and, FIG. 7 is a right side elevational view thereof. The broken lines in the figures are directed to environment and are for illustrative purposes only; the broken lines form no part of the claimed design.

1 Claim, 3 Drawing Sheets



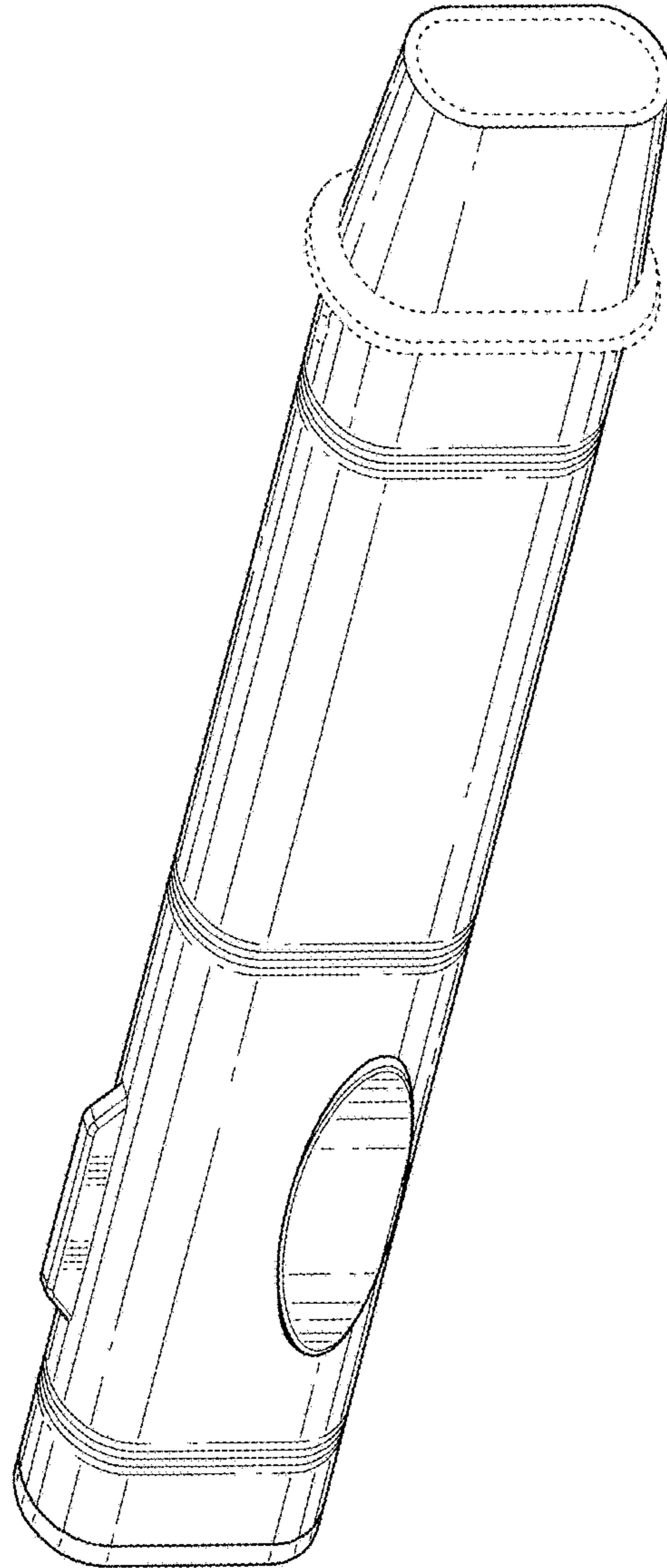


FIG. 1

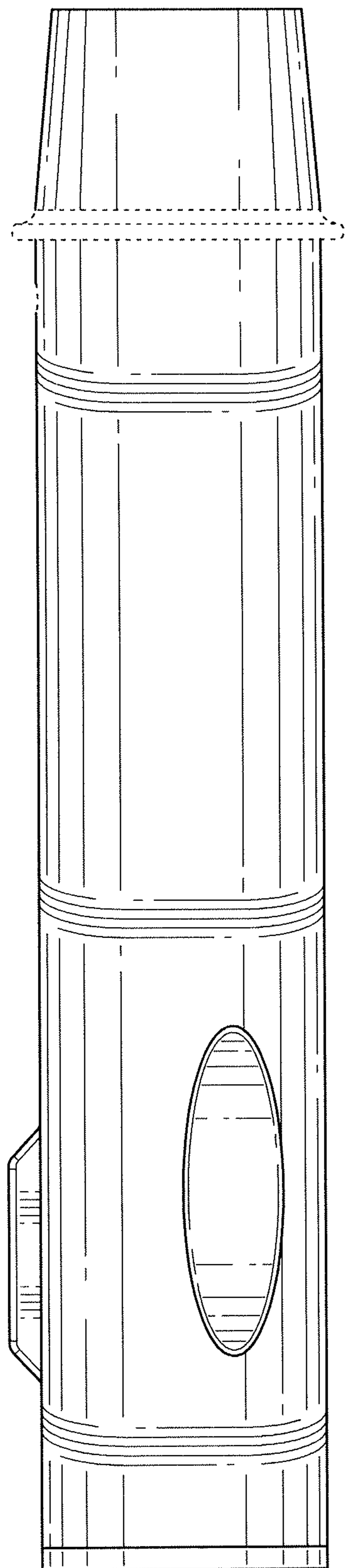


FIG. 2

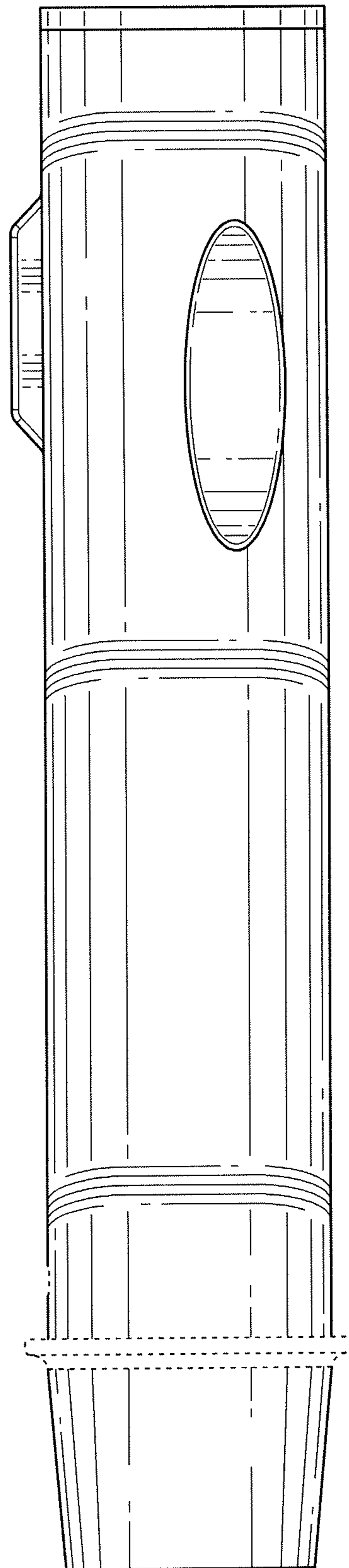


FIG. 3

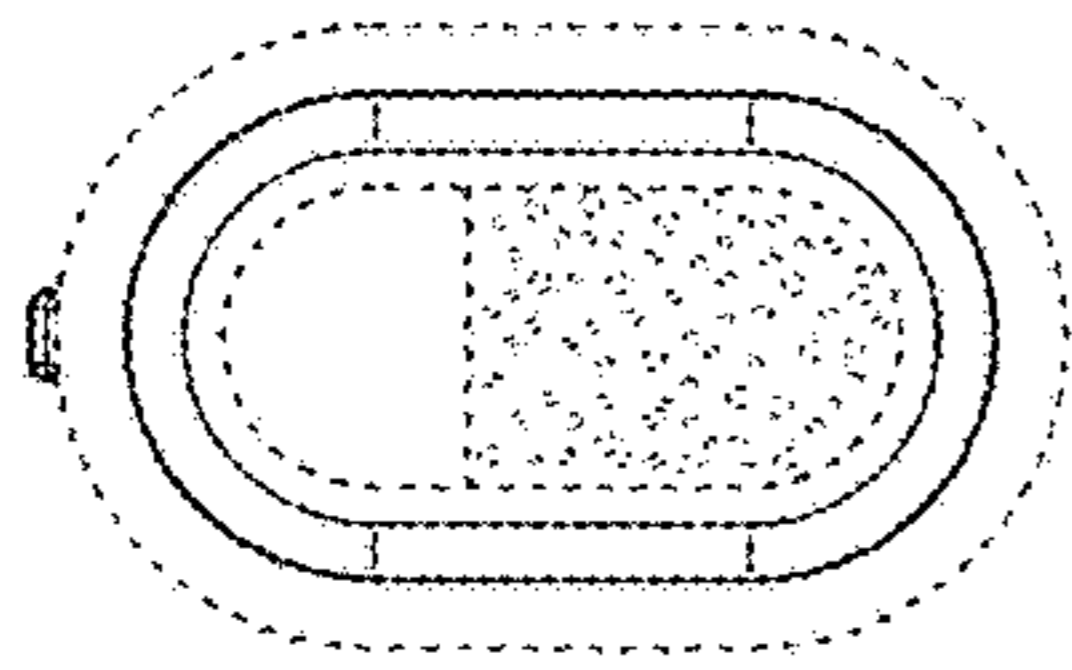


FIG. 4

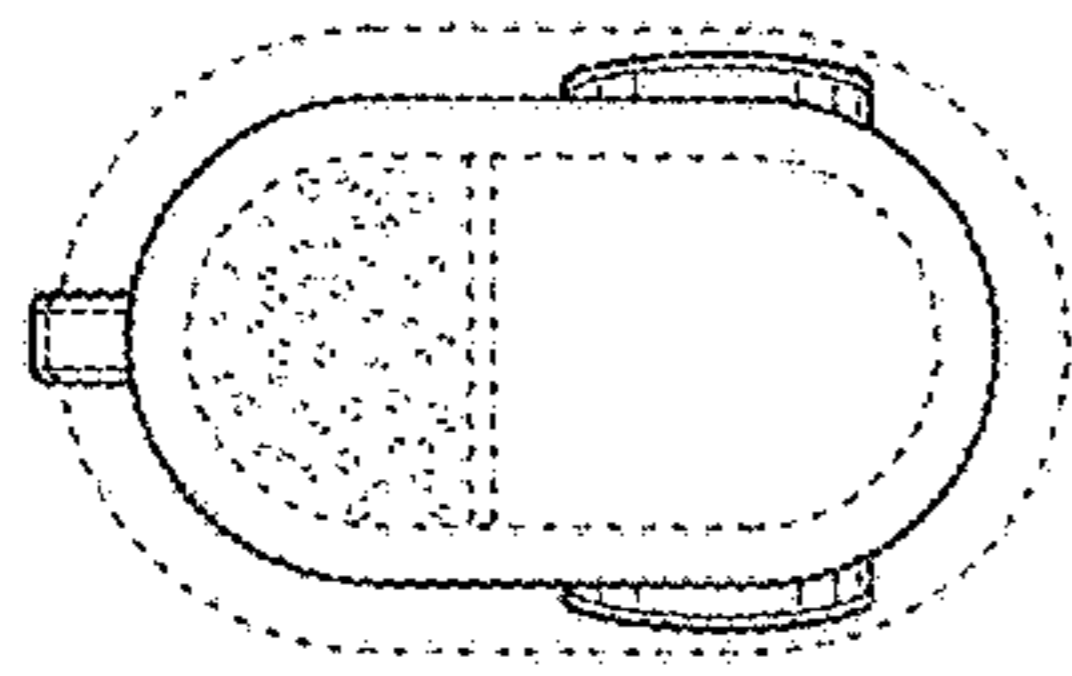


FIG. 5

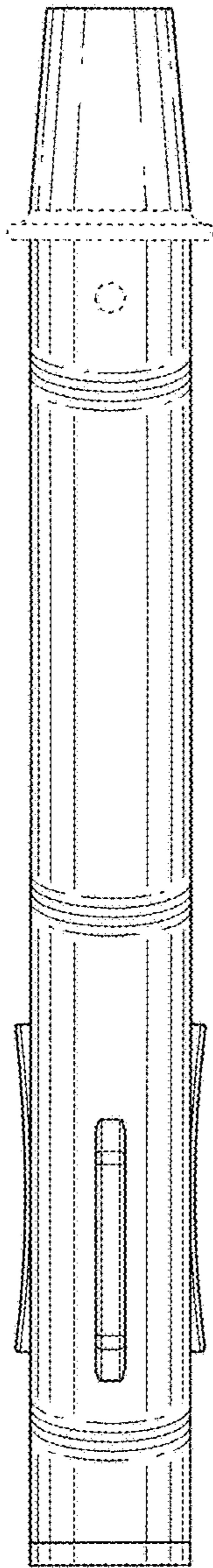


FIG. 6

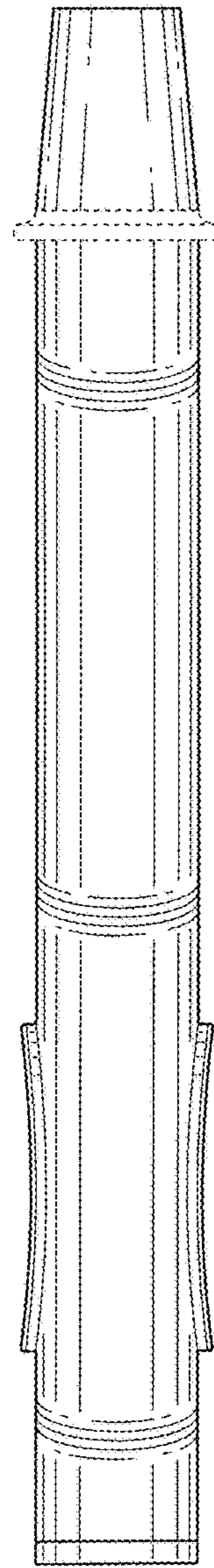


FIG. 7