



US00D786862S

(12) **United States Design Patent**
Park et al.

(10) **Patent No.:** **US D786,862 S**
(45) **Date of Patent:** **** May 16, 2017**

(54) **WEARABLE ELECTRONIC DEVICE**

1/3888; G06Q 20/10; G06Q 20/108;
G06Q 20/12; G06Q 20/145

See application file for complete search history.

(71) Applicant: **LG ELECTRONICS INC.**, Seoul
(KR)

(56) **References Cited**

(72) Inventors: **Seala Park**, Seoul (KR); **Dongsoon Kim**, Seoul (KR); **Chanwoo Park**, Seoul (KR)

U.S. PATENT DOCUMENTS

(73) Assignee: **LG ELECTRONICS INC.**, Seoul
(KR)

2,306,317	A *	12/1942	Morrow	A44C 5/0092
					29/896.411
3,726,279	A *	4/1973	Barefoot	A61B 17/11
					606/151
D273,009	S *	3/1984	Isaacs	D11/2
D320,572	S *	10/1991	Bulgari	D11/16
D336,866	S *	6/1993	Tasou	D11/12
D366,036	S *	1/1996	Houlihan	D10/30
D404,318	S *	1/1999	Slowinski	D10/32
D410,854	S *	6/1999	Cheung	D10/30

(Continued)

(**) Term: **15 Years**

(21) Appl. No.: **29/534,899**

OTHER PUBLICATIONS

(22) Filed: **Jul. 31, 2015**

iWatch Concept Images Show Curved Screen, Thick Band, and Sensors, posted Feb. 13, 2014, [retrieved Jan. 6, 2017]. Retrieved from Internet, <URL: <http://www.macrumors.com/2014/02/13/iwatch-concept-sensors/>>.*

(Continued)

(30) **Foreign Application Priority Data**

Feb. 3, 2015 (KR) 30-2015-0005935

(51) **LOC (10) Cl.** **14-02**

(52) **U.S. Cl.**

USPC **D14/344**

(58) **Field of Classification Search**

USPC D2/623, 626, 639, 878; D8/88, 356;
D10/30-39, 70, 98; D11/3, 87, 93-94,
D11/200, 201, 210, 216, 218, 221,
D11/230-231; D14/344, 138 R, 144,
D14/358; D24/167, 169, 186-187

CPC G06F 1/163; G06F 1/1628; G06F 1/1626;
G06F 1/1635; G06F 1/08; G06F 1/10;
G06F 1/04; G06F 1/14; G06F 1/3203;
A41D 1/002; H04M 1/02; H04M 1/03;
H04M 1/04; H04M 1/05; H04M 1/667;
Y02B 60/1217; H04B 1/385; H04B

Primary Examiner — Barbara Fox

Assistant Examiner — Kristin E Reed

(74) *Attorney, Agent, or Firm* — Birch, Stewart, Kolasch & Birch, LLP

(57) **CLAIM**

The ornamental design for a wearable electronic device, as shown and described.

DESCRIPTION

FIG. 1 is a perspective view of a wearable electronic device showing our new design;
FIG. 2 is a front view thereof;
FIG. 3 is a rear view thereof;
FIG. 4 is a left side view thereof where the right side view is a mirror image;
FIG. 5 is a top plan view thereof; and,

(Continued)

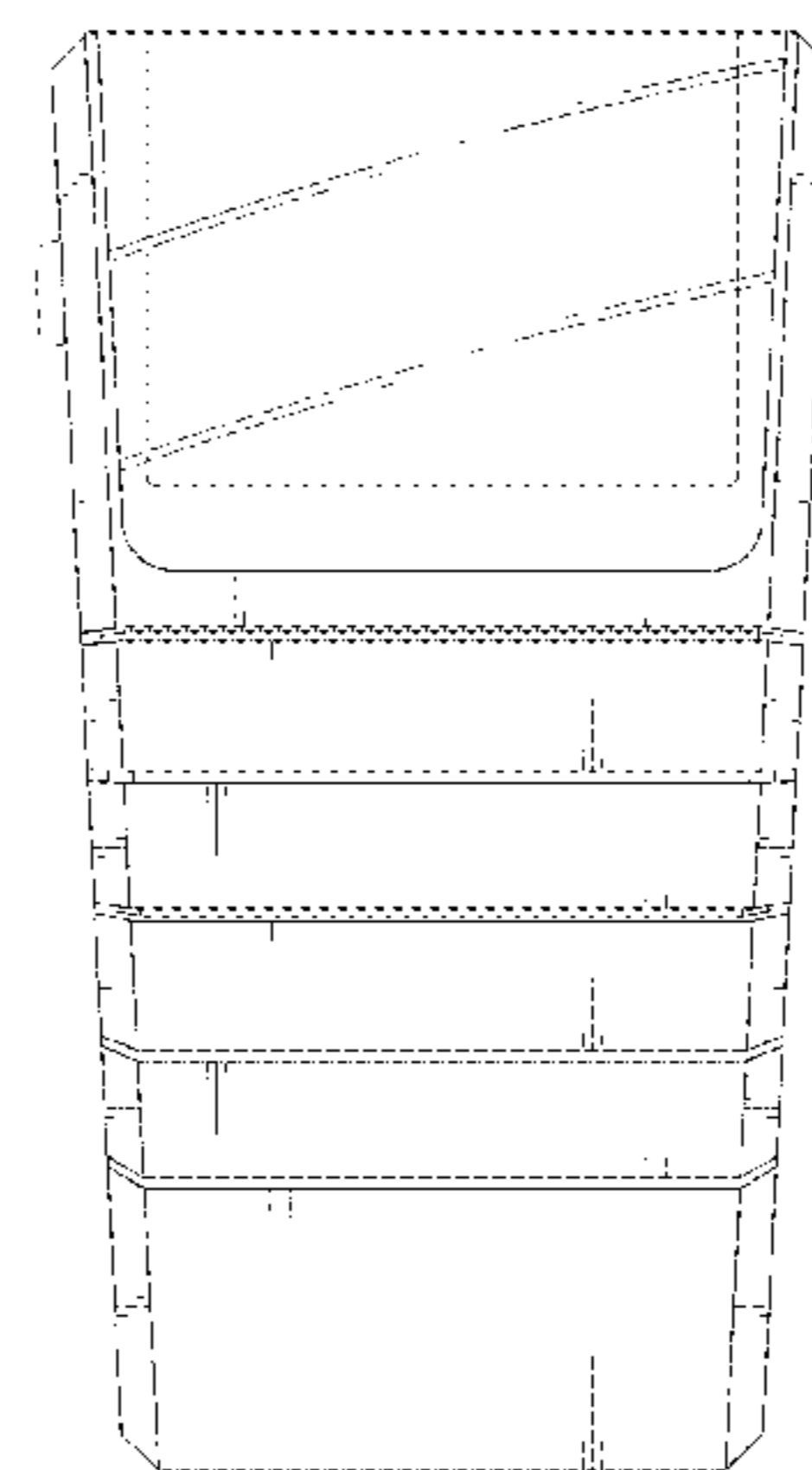
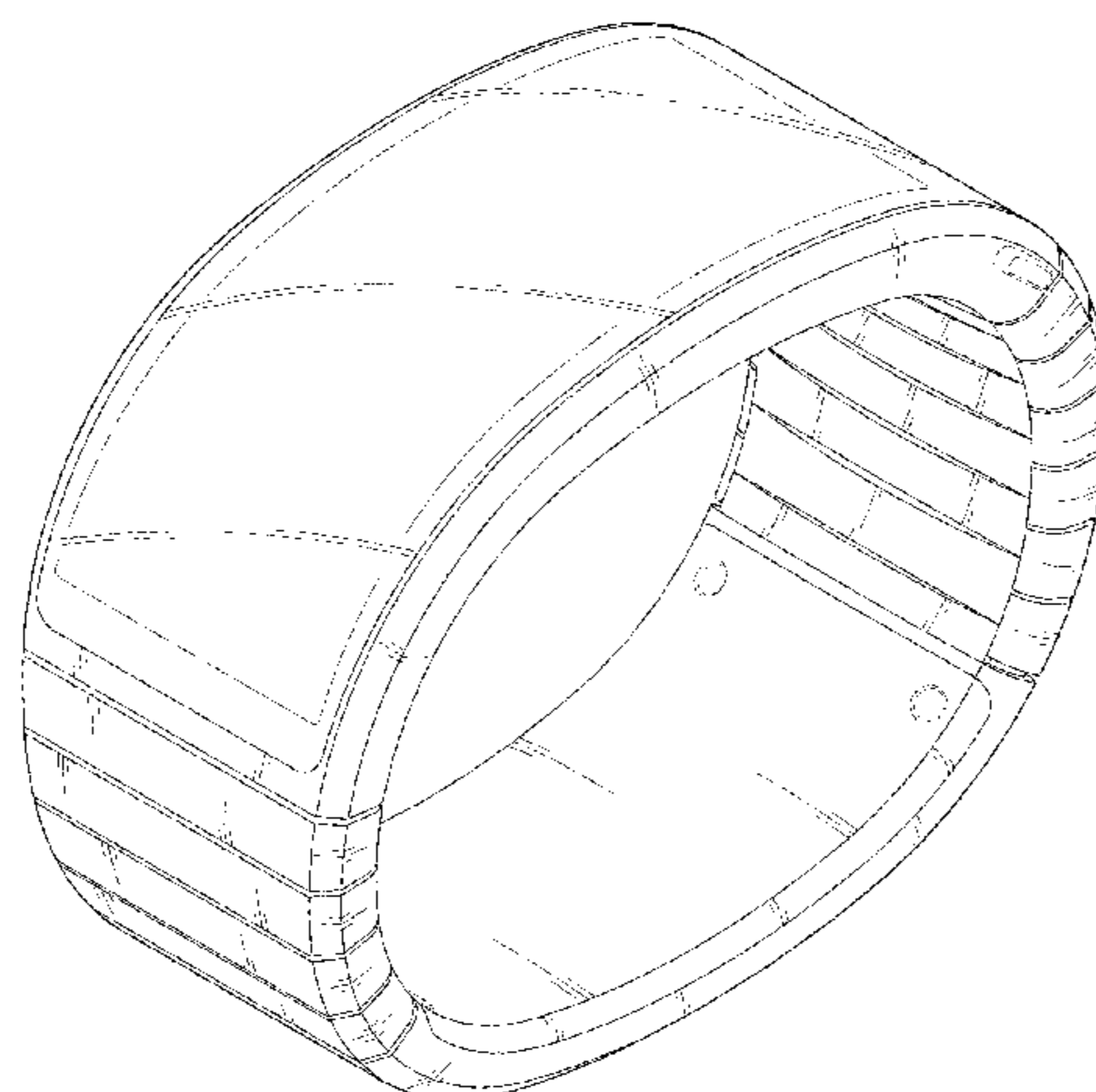


FIG. 6 is a bottom plan view thereof.
The broken lines depict portions of the wearable electronic device that form no part of the claimed design.

1 Claim, 6 Drawing Sheets

(56)

References Cited

U.S. PATENT DOCUMENTS

D422,513 S * 4/2000 Bodino D10/32
D432,028 S * 10/2000 Burgener D10/32
D441,665 S * 5/2001 Giardiello D10/32
D466,487 S * 12/2002 Wada D10/31
D537,738 S * 3/2007 Ohki D10/32
D570,711 S * 6/2008 Dorsz D10/32
D576,501 S * 9/2008 Tang D10/31

D703,069 S * 4/2014 Adams D10/31
D716,174 S * 10/2014 Tsang D11/3
D741,855 S * 10/2015 Park D14/344
D759,009 S * 6/2016 Kim D14/344
D762,641 S * 8/2016 Lee D14/344
D768,622 S * 10/2016 Kim D14/344
D772,867 S * 11/2016 Park D10/39
D772,870 S * 11/2016 Park D14/138 R
D772,871 S * 11/2016 Park D14/138 R
D772,872 S * 11/2016 Park D14/138 R
2015/0049591 A1* 2/2015 Adams G04G 21/08
368/13

OTHER PUBLICATIONS

Samsung Gear S hands-on, posted Sep. 3, 2014, [retrieved Jan. 6, 2017]. Retrieved from Internet, <URL: <http://www.androidcentral.com/samsung-gear-s-hands-on> >.*

* cited by examiner

FIG. 1

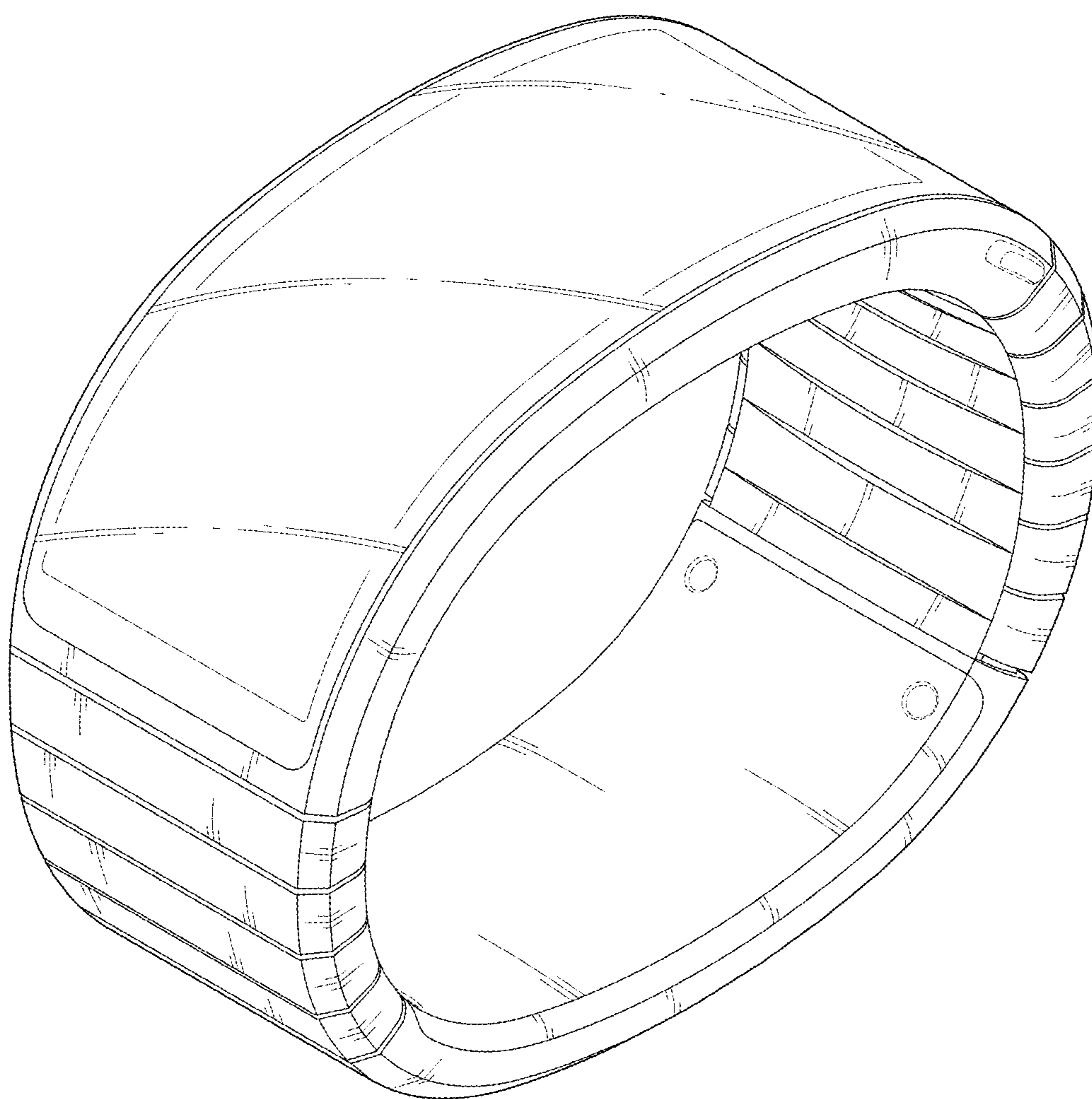


FIG. 2

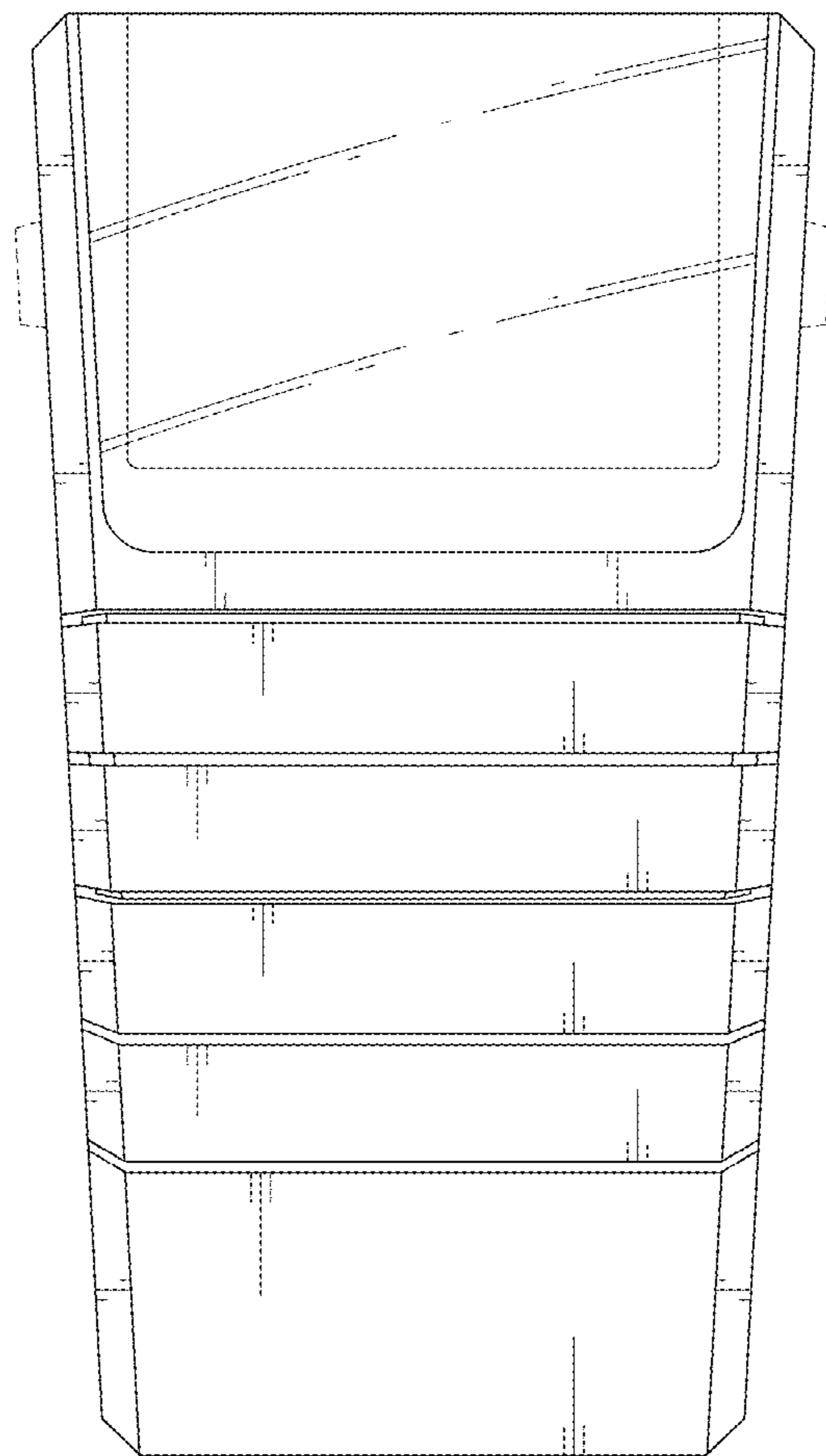


FIG. 3

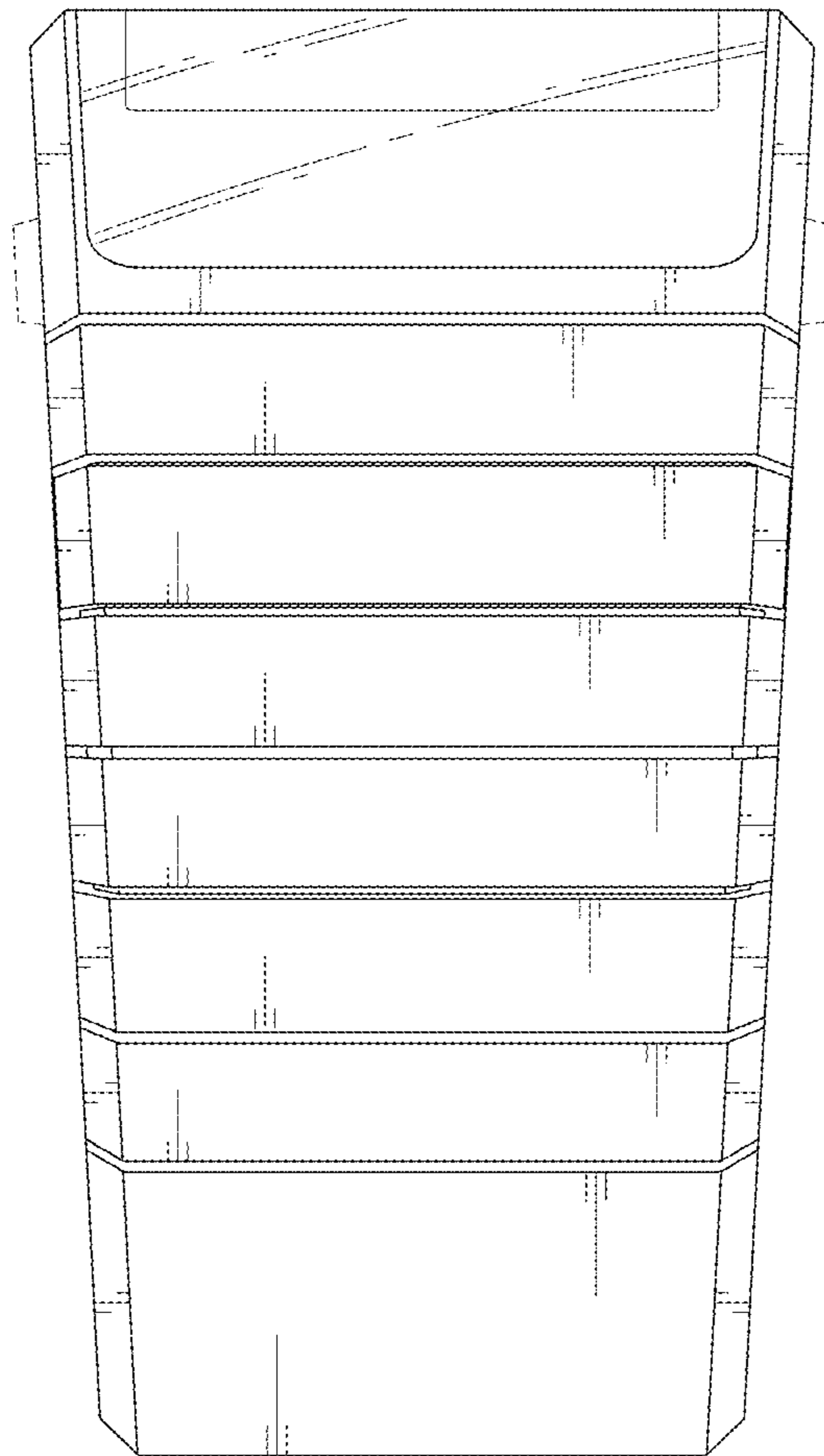


FIG. 4

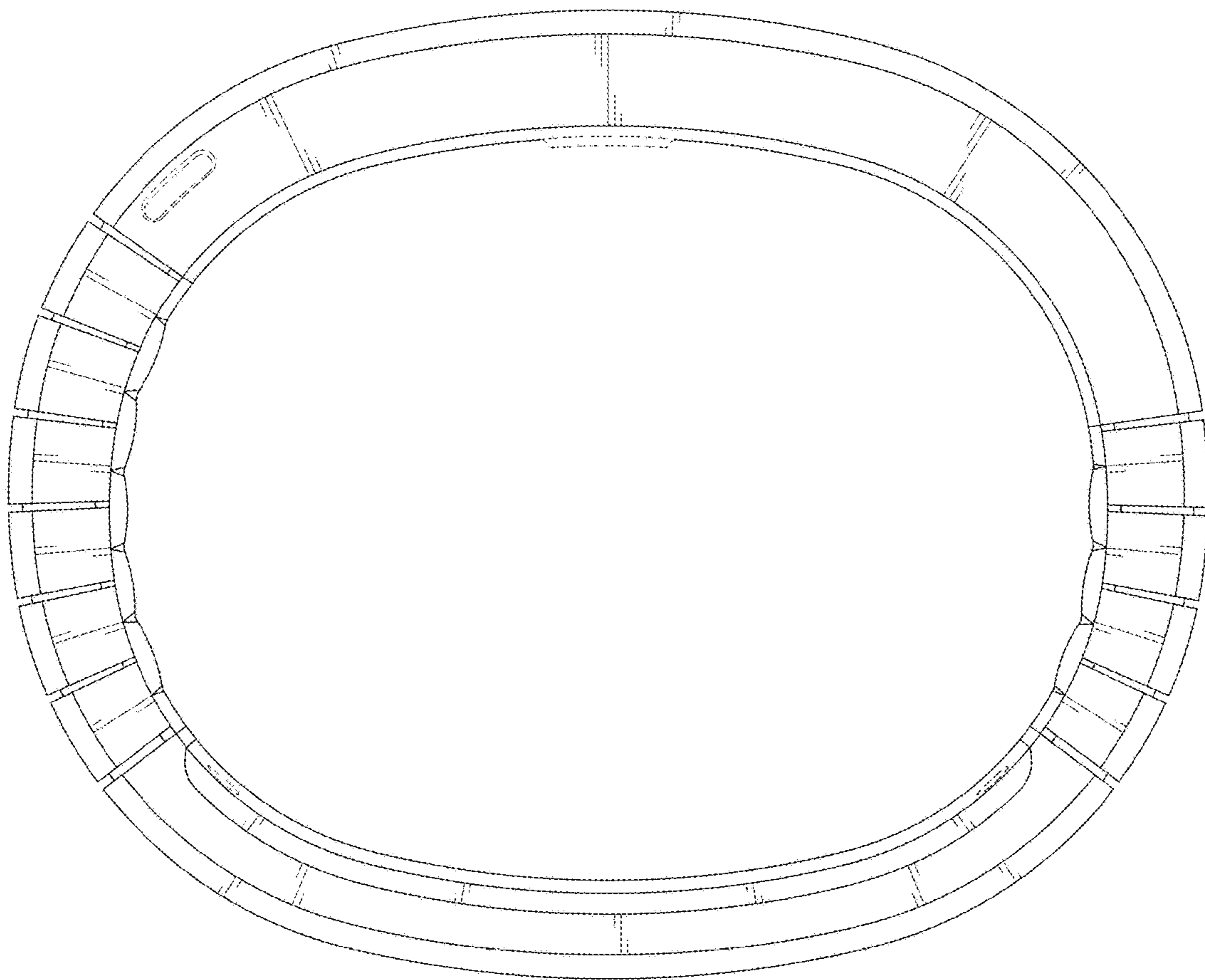


FIG. 5

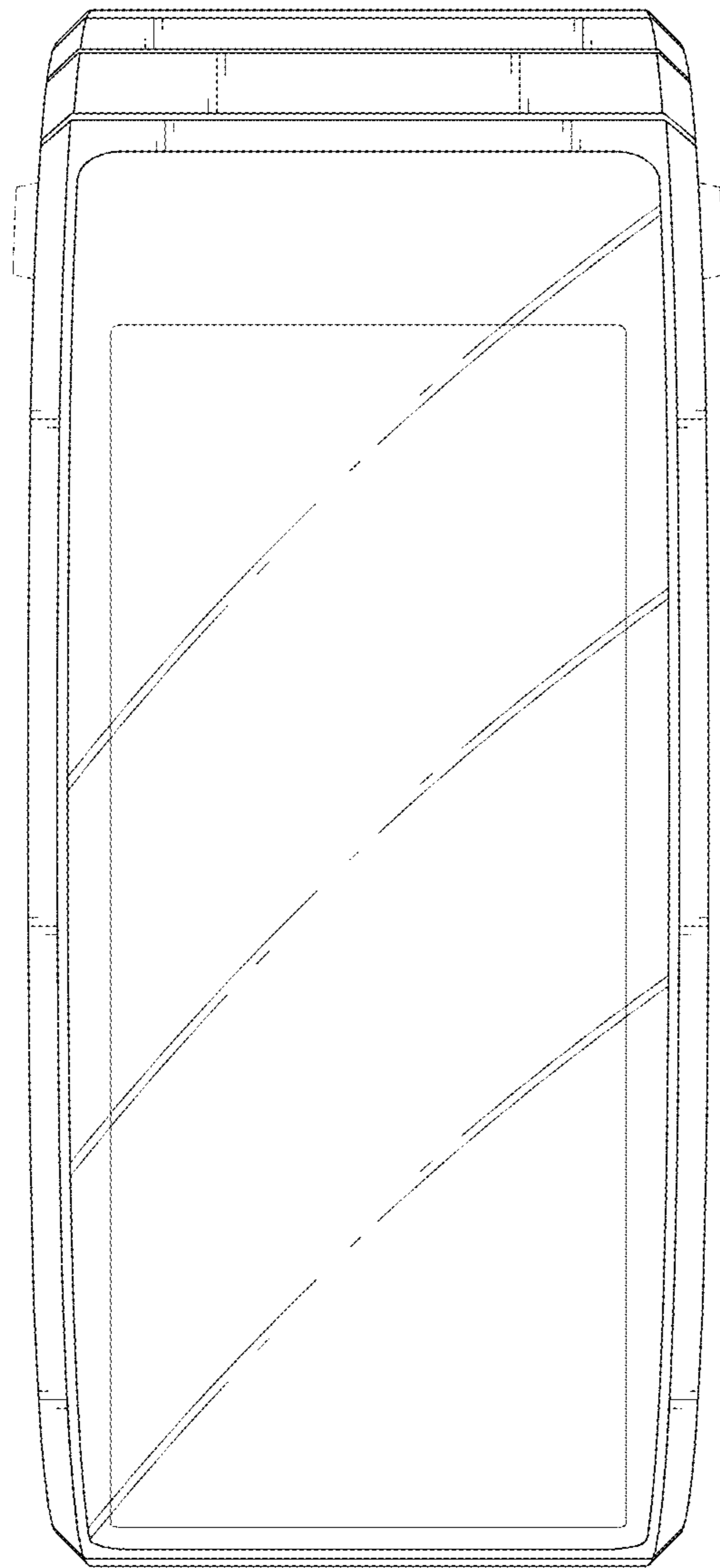


FIG. 6

