



US00D786861S

(12) **United States Design Patent**
Pu

(10) **Patent No.:** **US D786,861 S**

(45) **Date of Patent:** **** *May 16, 2017**

(54) **SMARTWATCH**

(71) Applicant: **Yang Pu**, Shenzhen (CN)

(72) Inventor: **Yang Pu**, Shenzhen (CN)

(*) Notice: This patent is subject to a terminal disclaimer.

(**) Term: **14 Years**

(21) Appl. No.: **29/498,214**

(22) Filed: **Aug. 1, 2014**

(51) **LOC (10) Cl.** **14-02**

(52) **U.S. Cl.**
USPC **D14/344**

(58) **Field of Classification Search**

USPC D14/344, 358, 138 R, 144; D24/167,
D24/169, 186-187; D11/3, 93-94;
D10/70, 98, 30-32, 38-39
CPC . H04B 1/03; H04B 1/385; G04G 9/00; G04G
17/00; G04G 17/04; G04G 17/06; G04G
17/083; H04M 1/0227; H04M 1/03;
H04M 1/04; G08G 1/096883; G08G
1/096872; G08G 1/09775; G01C 21/16;
G01C 21/3688; G01C 21/30; G01V 8/20;
G01J 5/02; G01J 5/023; G01J 5/24; G01J
5/10; G01J 5/20; G01J 5/0235; G01J
5/08; G01J 5/0853; A44C 5/00; G04B
37/0008

See application file for complete search history.

(56) **References Cited**

U.S. PATENT DOCUMENTS

D263,452 S * 3/1982 Wada D10/38
D270,430 S * 9/1983 Fukuoka D10/39
D313,941 S * 1/1991 Wakamatsu D10/38

D622,856 S * 8/2010 Ramsey D24/186
D622,857 S * 8/2010 Ramsey D24/186
D729,237 S * 5/2015 Fagnot D14/344
D729,653 S * 5/2015 Nuovo D10/103
D734,331 S * 7/2015 Wu D14/344

* cited by examiner

Primary Examiner — Barbara Fox

(74) *Attorney, Agent, or Firm* — Carlson, Gaskey & Olds, P.C.

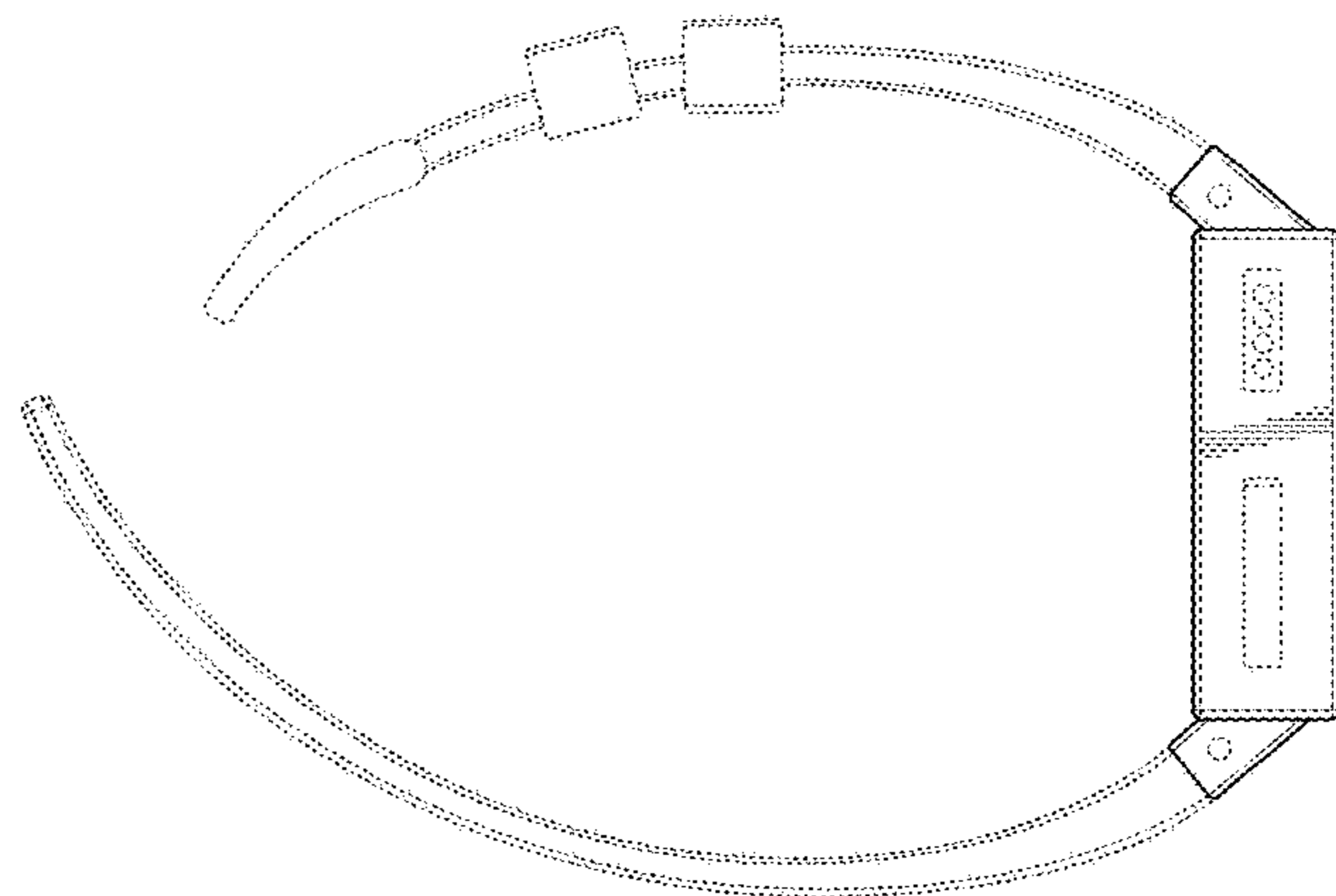
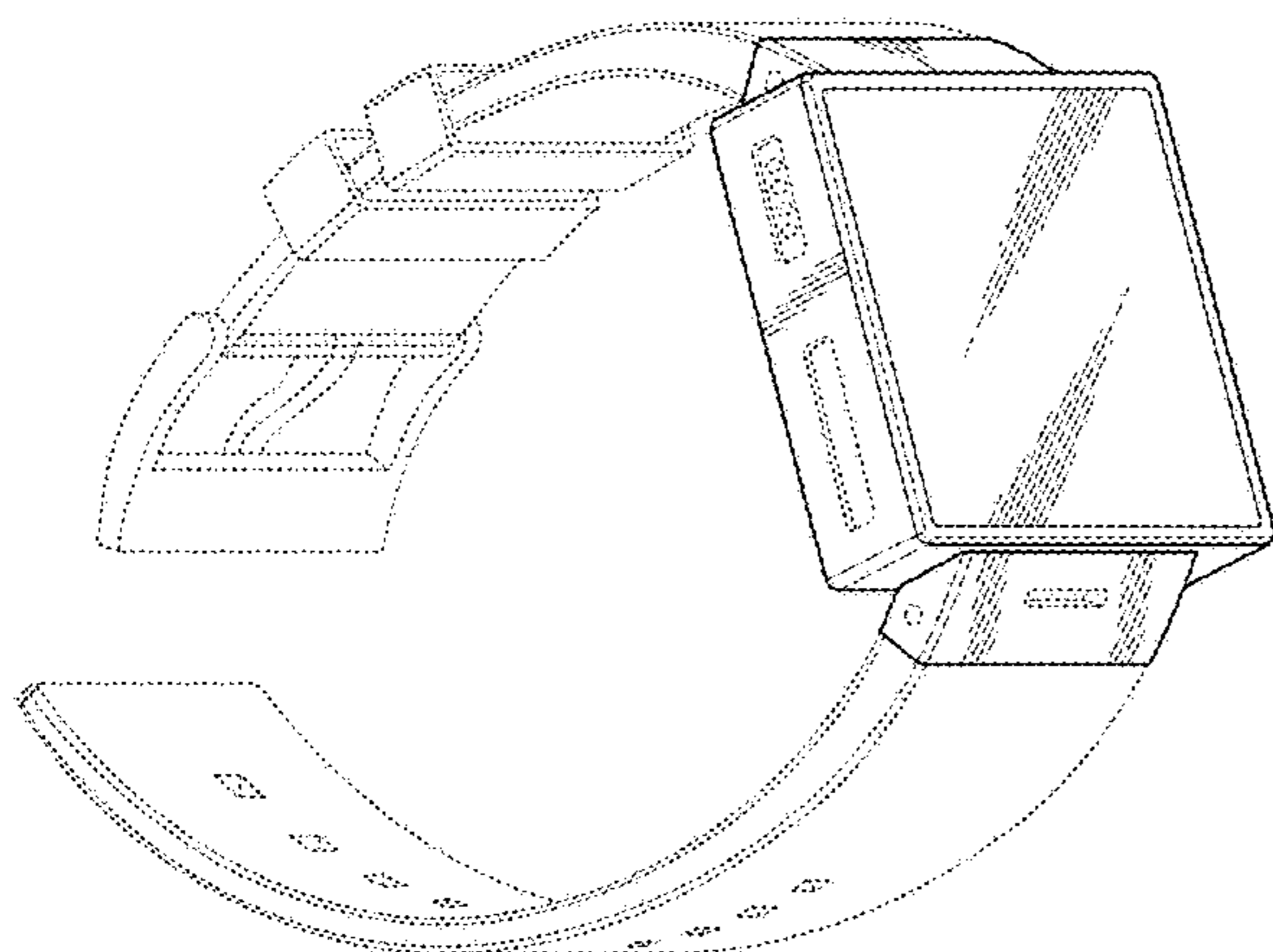
(57) **CLAIM**

The ornamental design for a smartwatch, as shown and described.

DESCRIPTION

FIG. 1 is a perspective view of a smartwatch showing the new design;
FIG. 2 is a perspective view of the smartwatch of FIG. 1 shown with the band removed for ease of illustration;
FIG. 3 is a second perspective view of the smartwatch of FIG. 1;
FIG. 4 is a second perspective view of the smartwatch of FIG. 2;
FIG. 5 is a top view of the smartwatch of FIG. 1;
FIG. 6 is a top view of the smartwatch of FIG. 2;
FIG. 7 is a bottom view of the smartwatch of FIG. 1;
FIG. 8 is a bottom view of the smartwatch of FIG. 2;
FIG. 9 is a side view of the smartwatch of FIG. 1;
FIG. 10 is a side view of the smartwatch of FIG. 2;
FIG. 11 is a second side view of the smartwatch of FIG. 1;
FIG. 12 is a second side view of the smartwatch of FIG. 2;
FIG. 13 is a third side view of the smartwatch of FIG. 1;
FIG. 14 is a third side view of the smartwatch of FIG. 2; and
FIG. 15 is a fourth side view of the smartwatch of FIG. 2.
The broken lines shown in the drawings represent portions of the smartwatch that form no part of the claimed design.

1 Claim, 3 Drawing Sheets



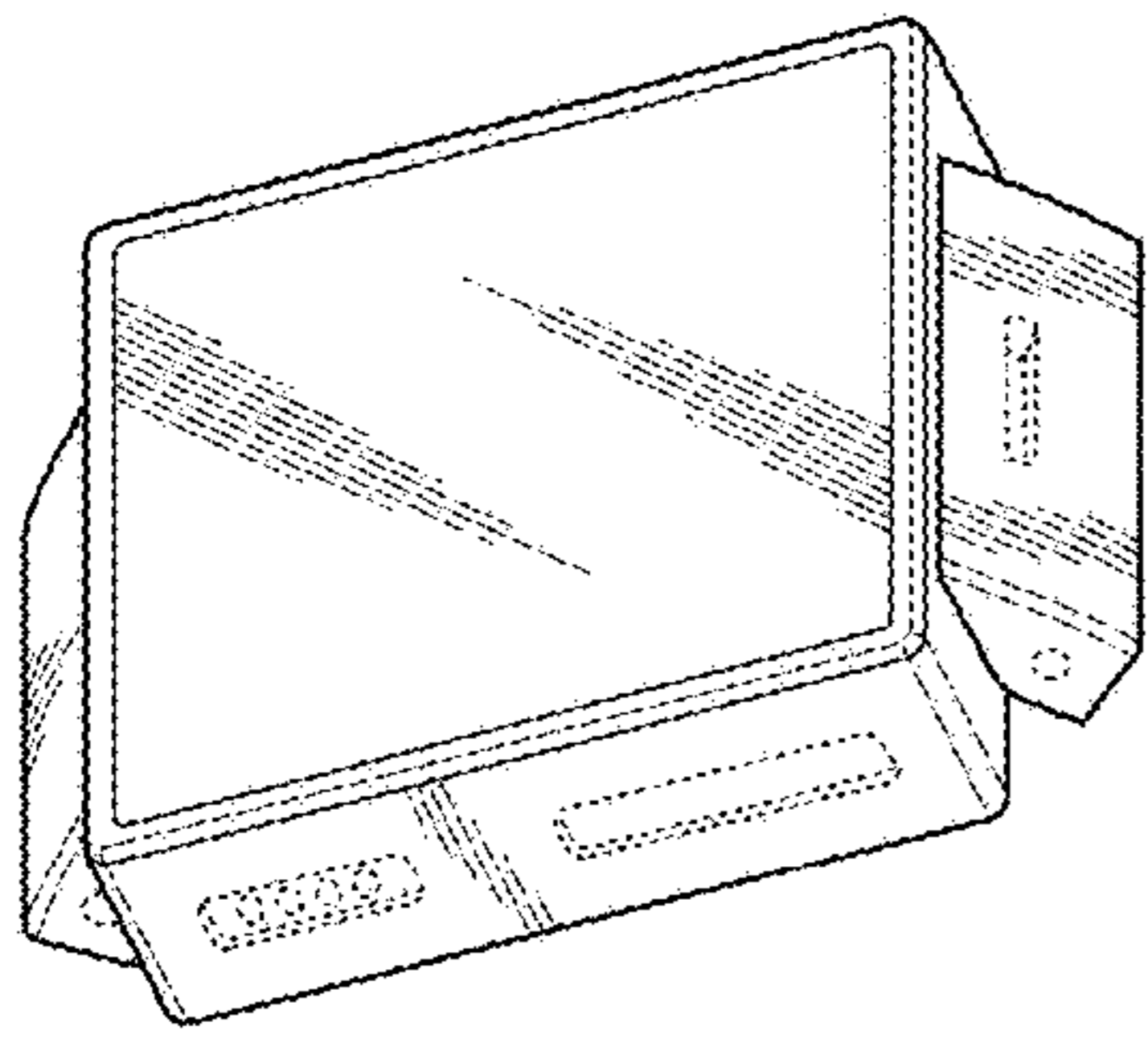


FIG. 2

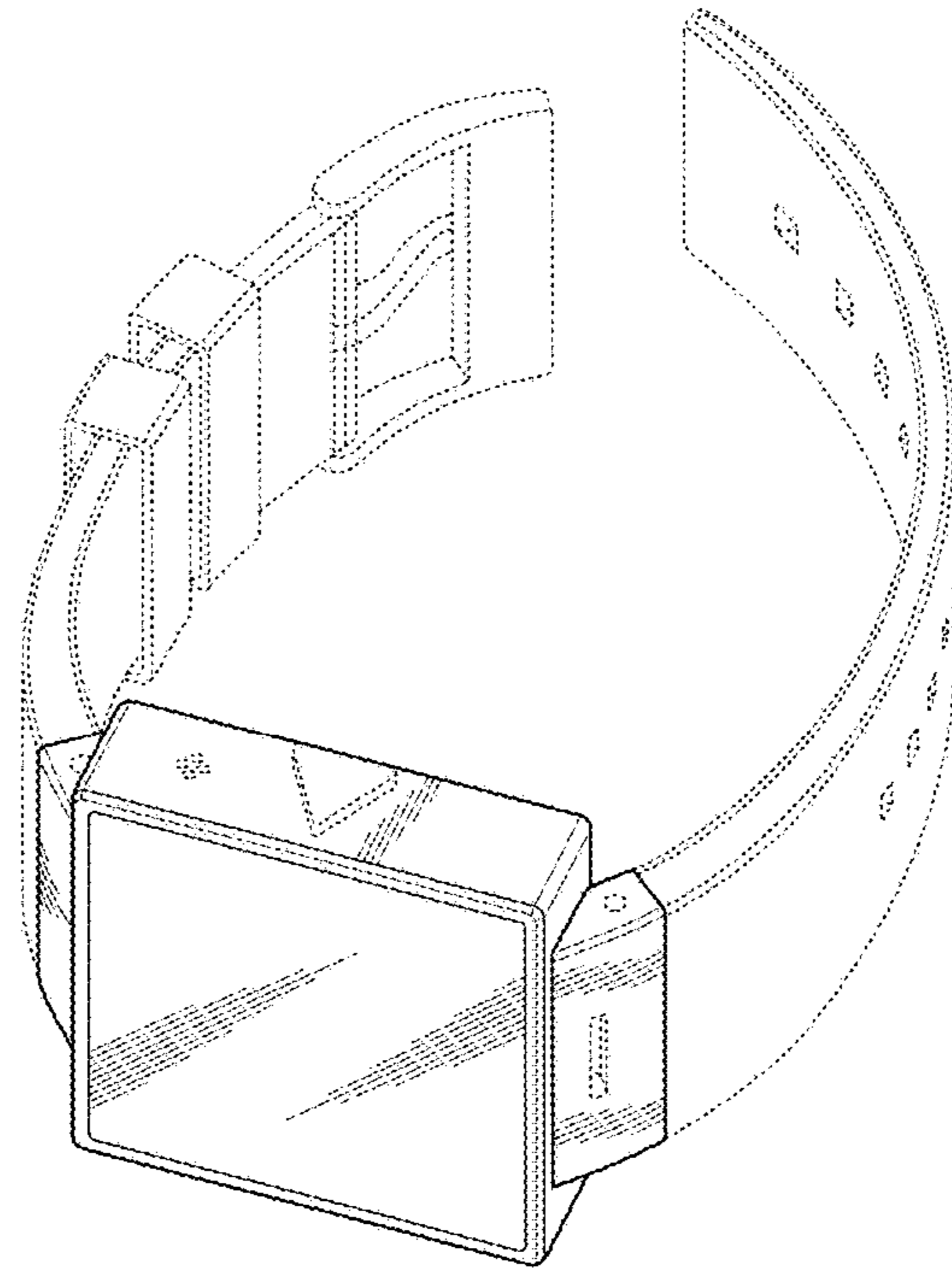


FIG. 3

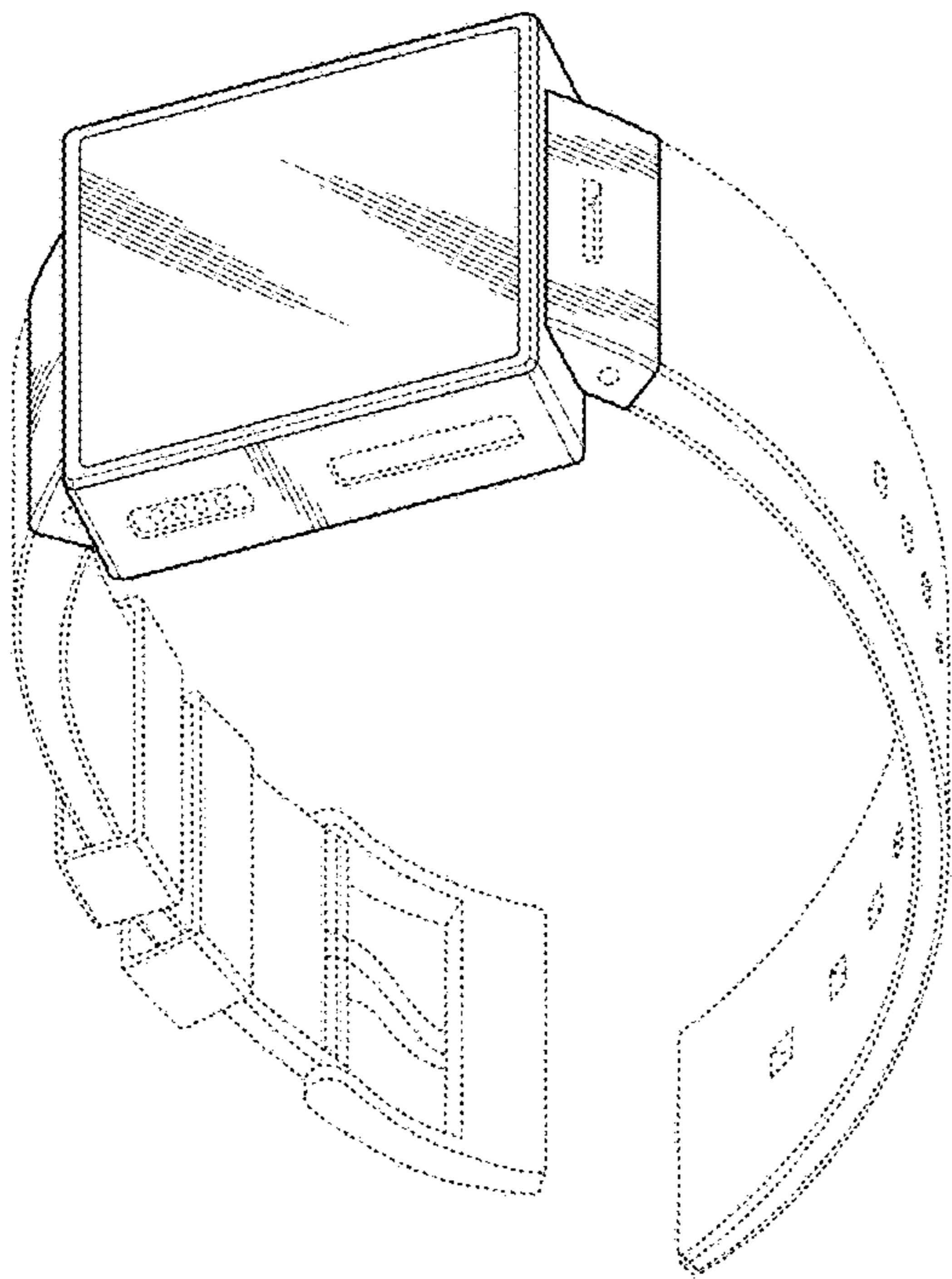


FIG. 1

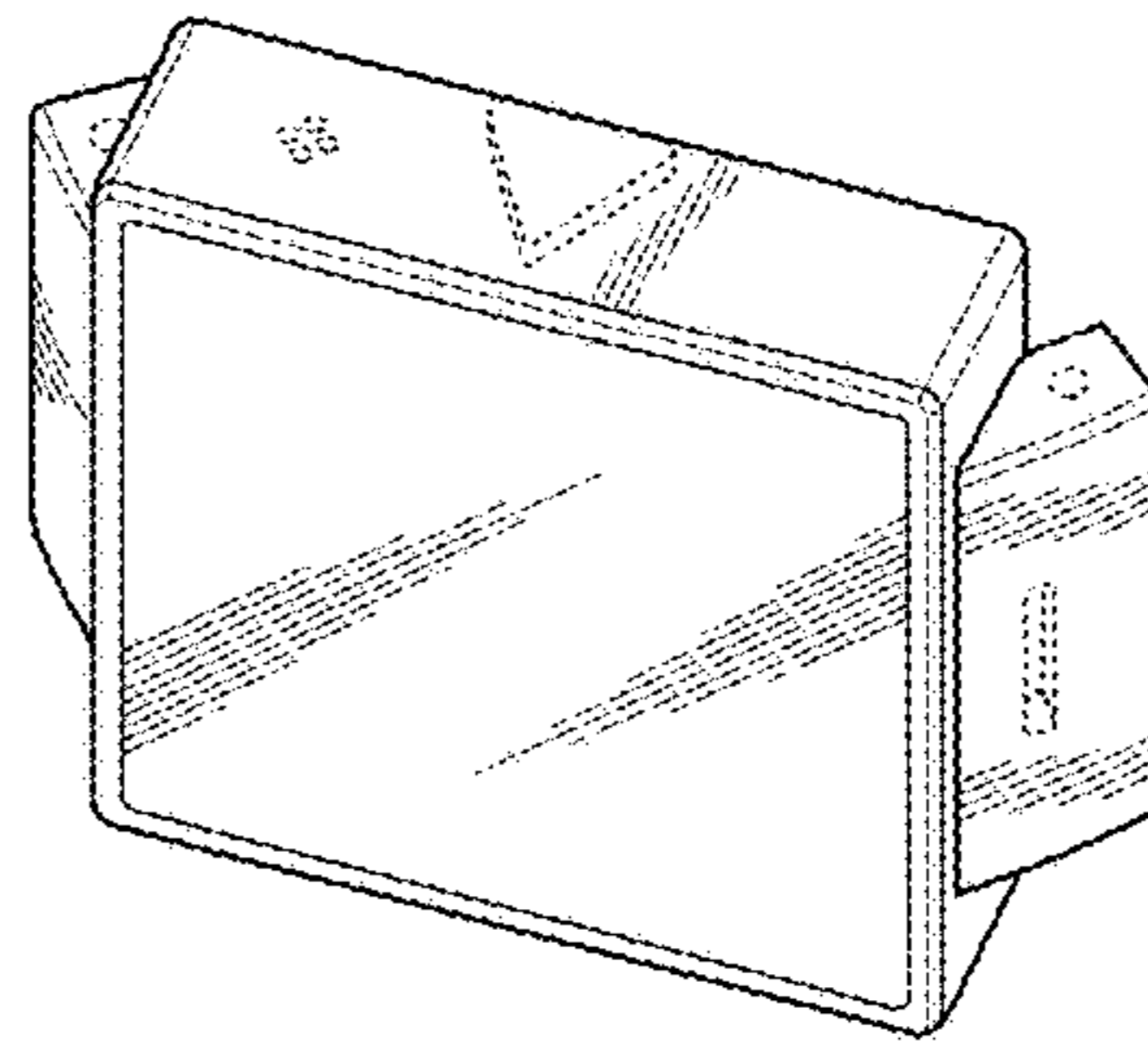


FIG. 4

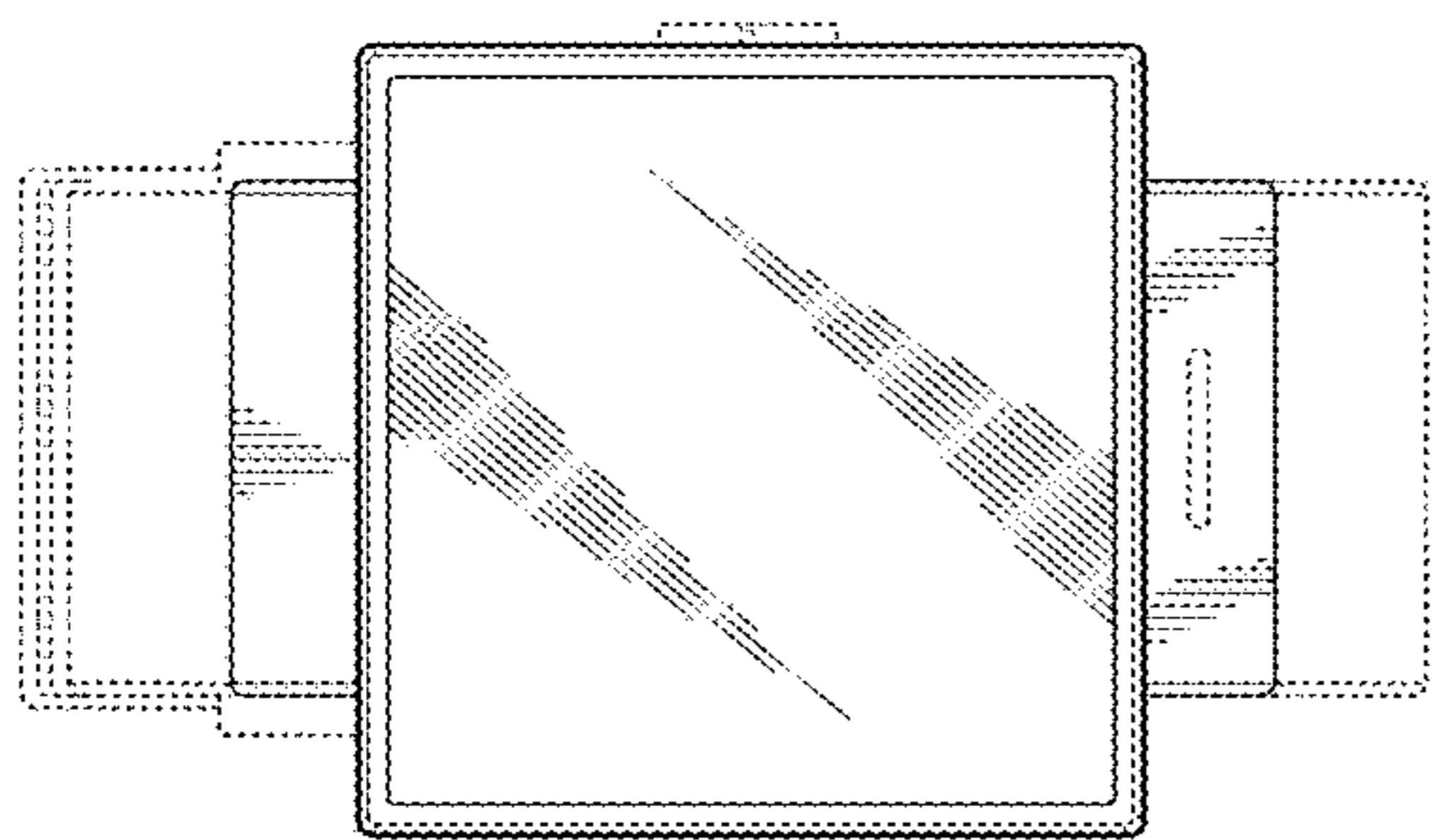


FIG. 5

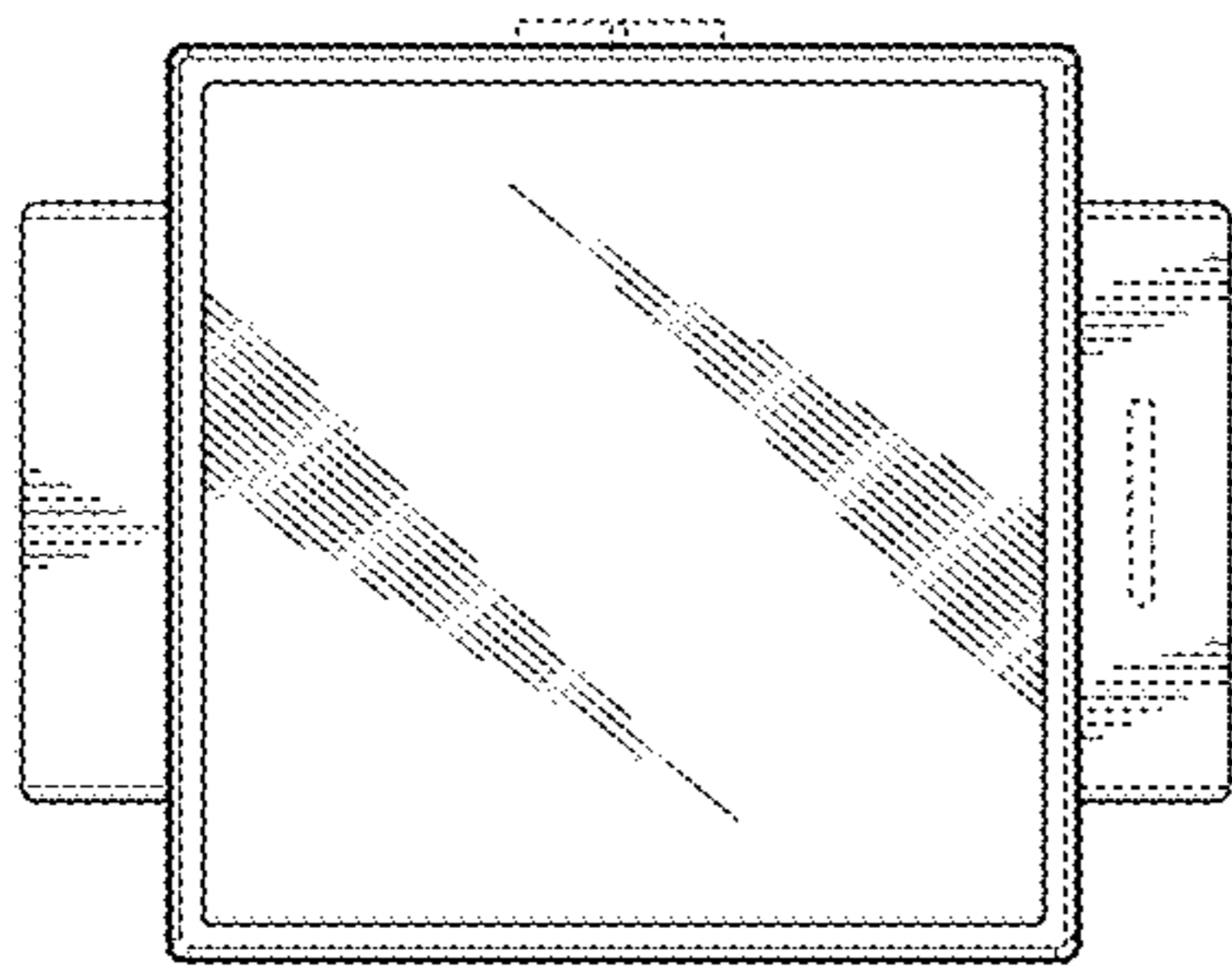


FIG. 6

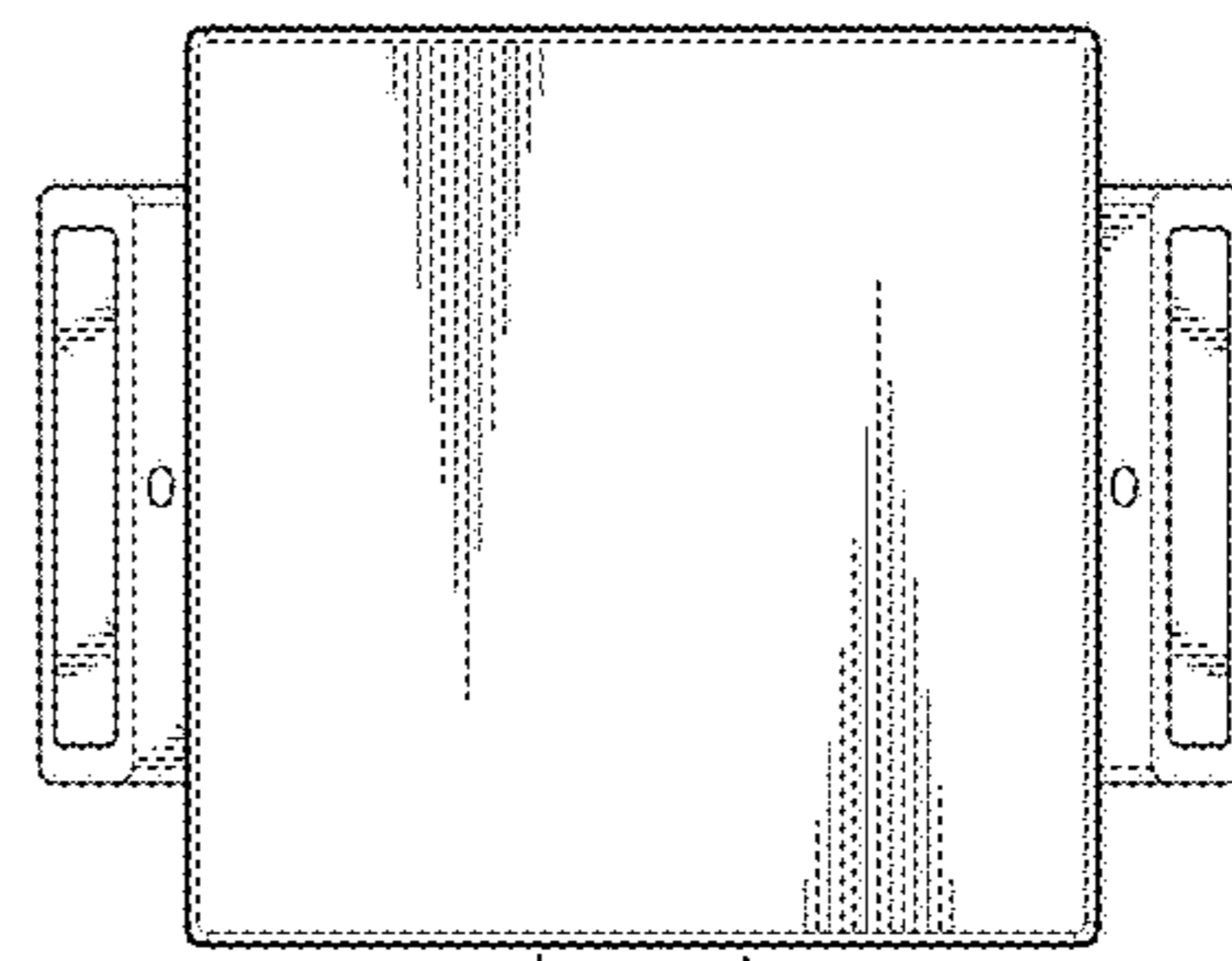


FIG. 8

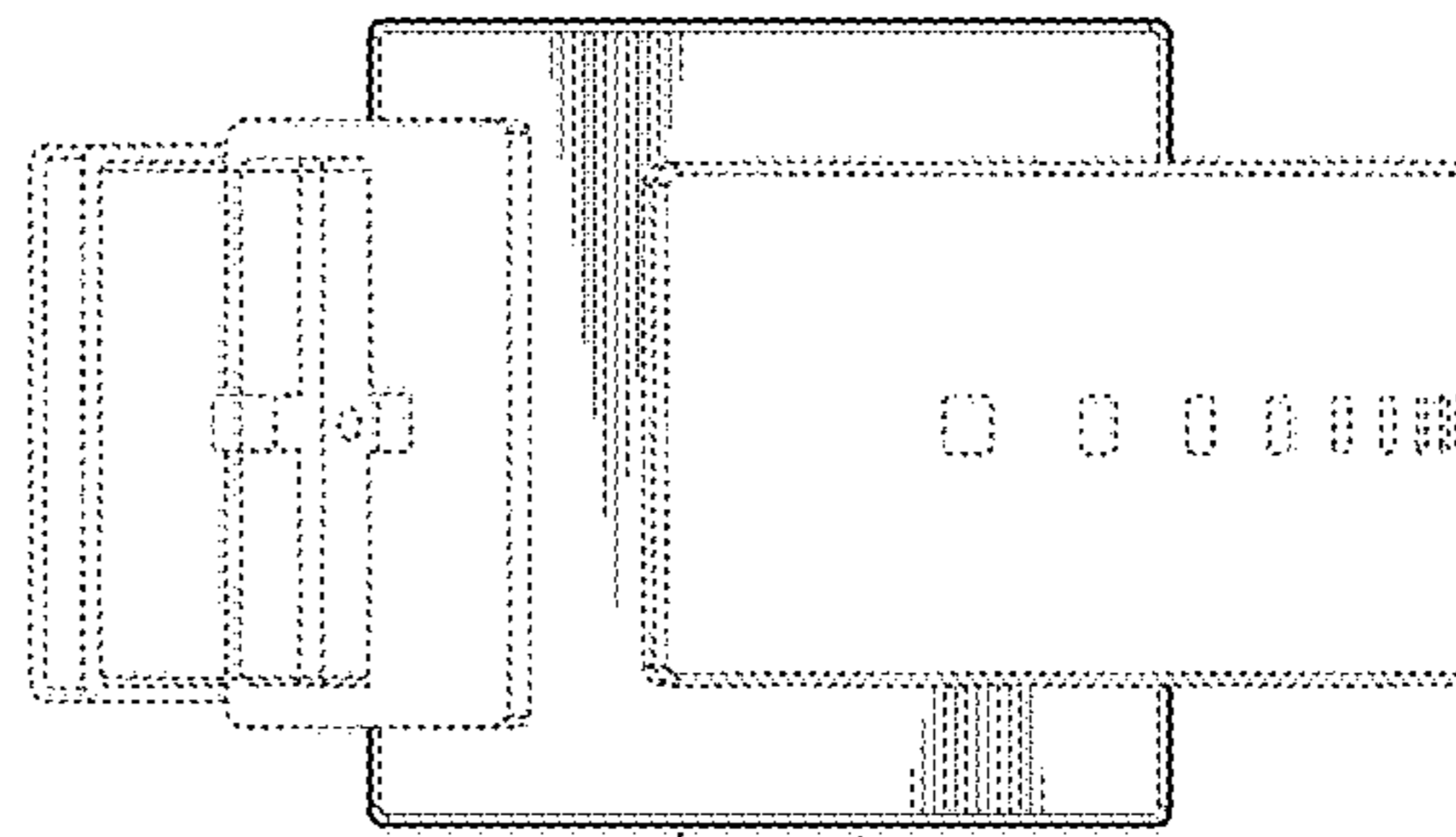


FIG. 7

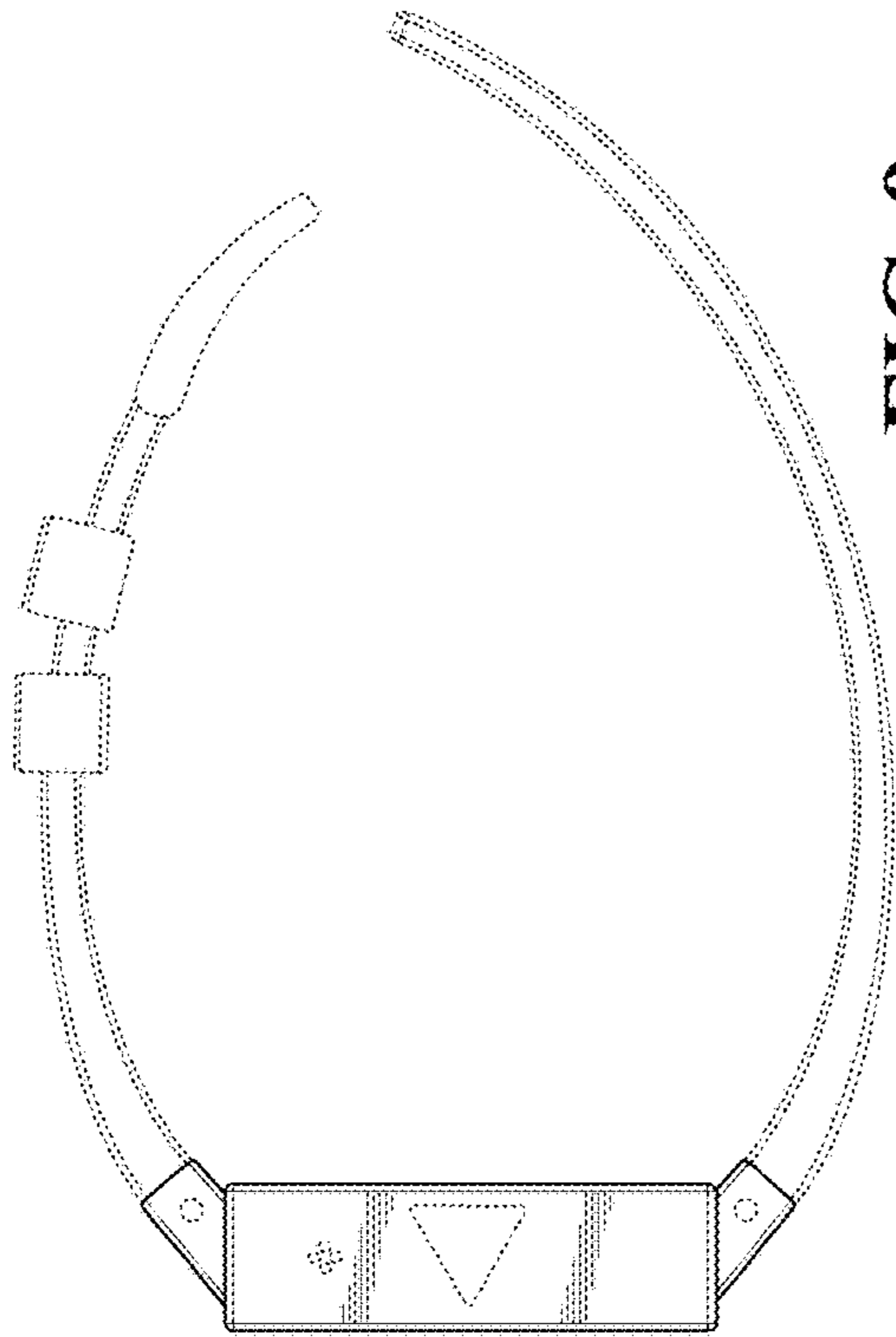


FIG. 9

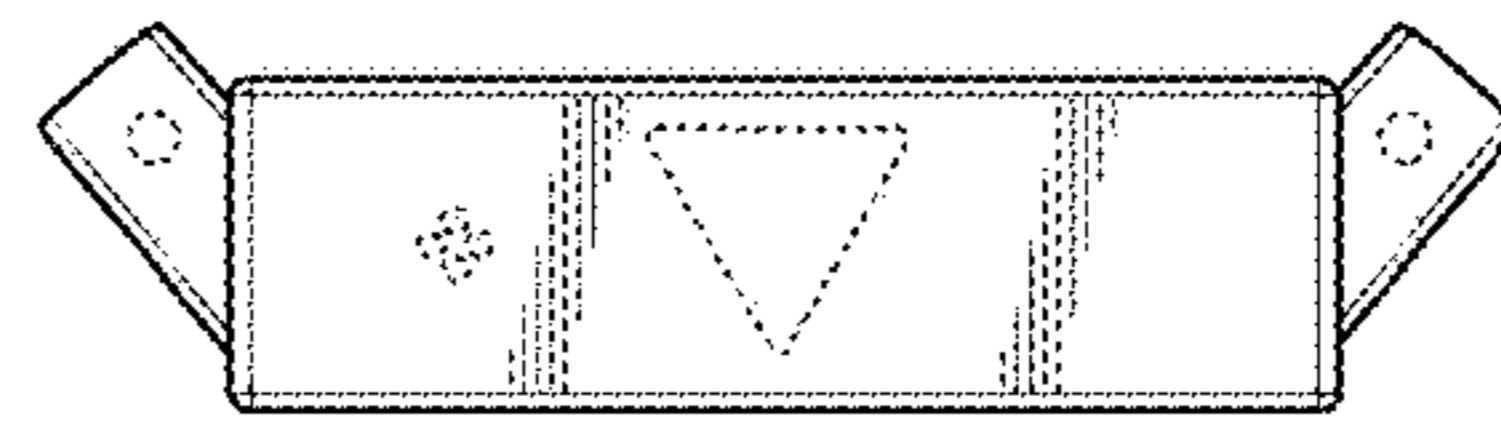


FIG. 10

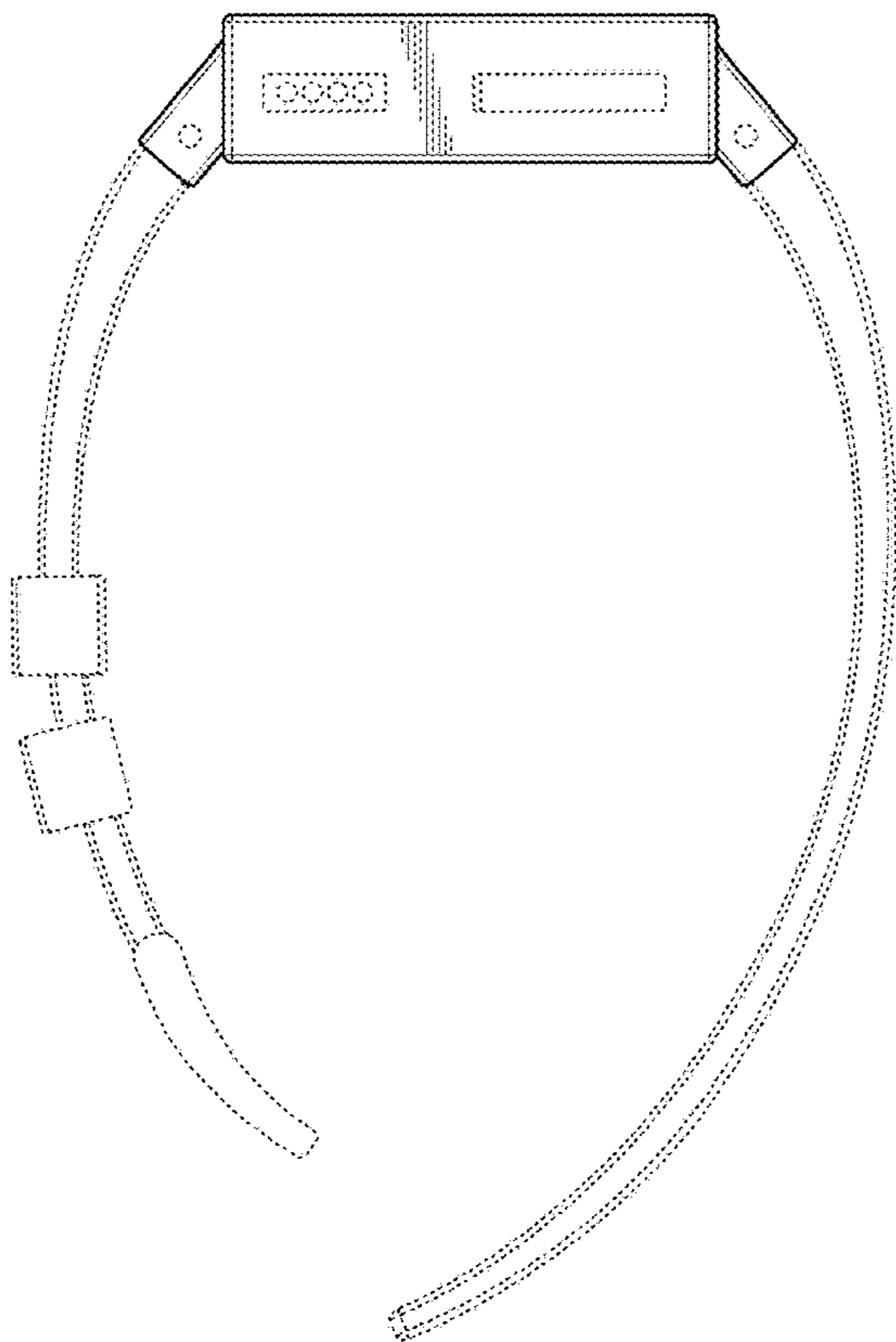


FIG. 11

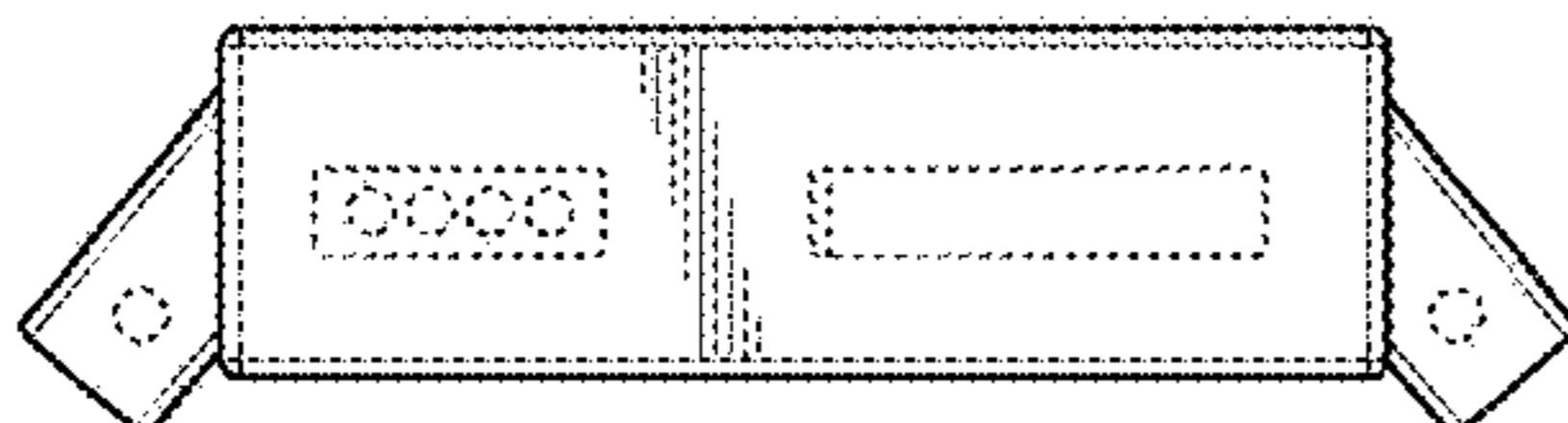


FIG. 12

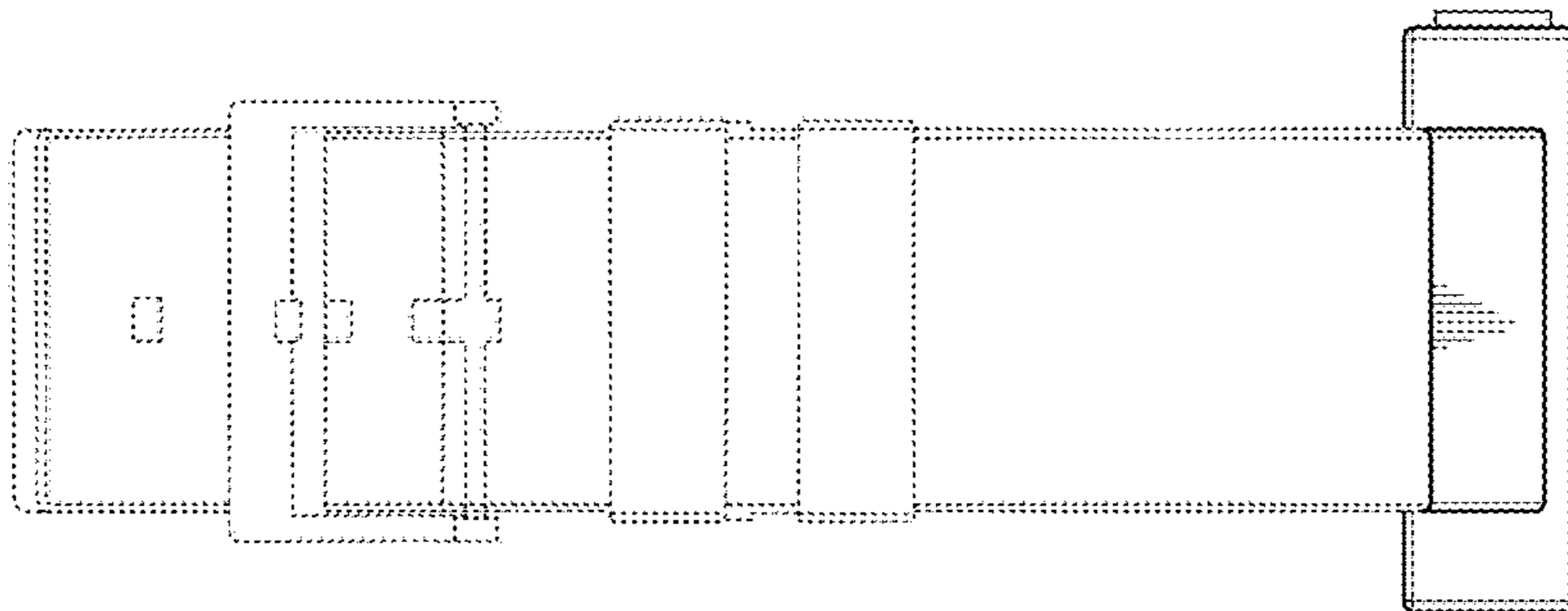


FIG. 13

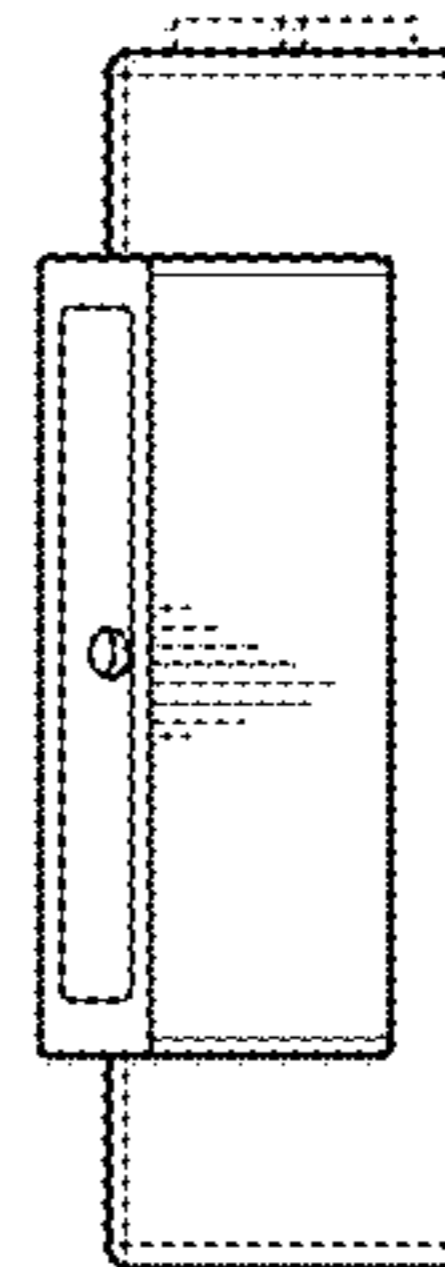


FIG. 14

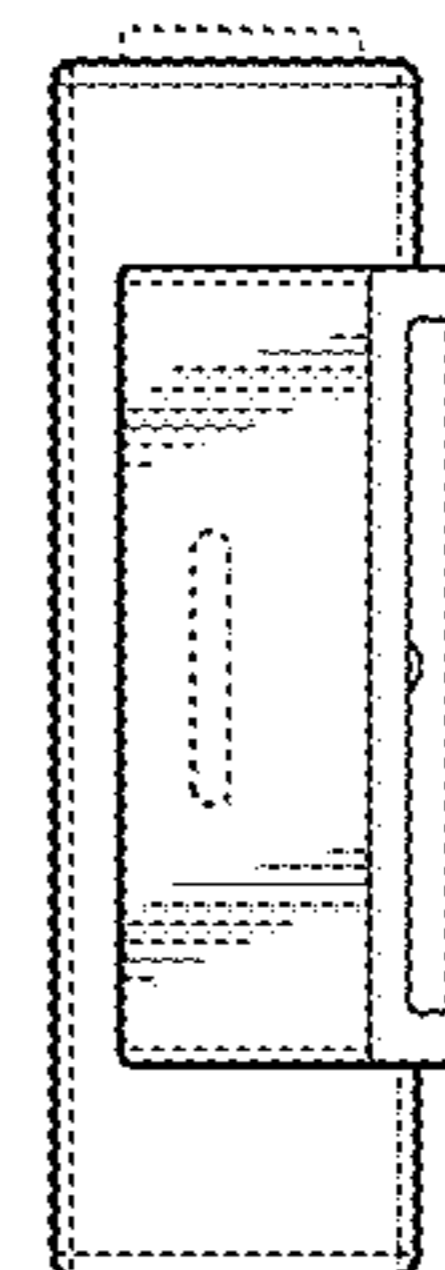


FIG. 15