



US00D786854S

(12) **United States Design Patent** (10) **Patent No.:** **US D786,854 S**
Kim (45) **Date of Patent:** **** May 16, 2017**

(54) **CASE FOR ELECTRONIC DEVICE**
(71) Applicant: **SPIGEN KOREA CO., LTD.**, Seoul (KR)
(72) Inventor: **Dae-Young Kim**, Seoul (KR)
(73) Assignee: **SPIGEN KOREA CO., LTD.**, Geumcheon-Gu, Seoul (KR)
(**) Term: **15 Years**
(21) Appl. No.: **29/571,936**
(22) Filed: **Jul. 22, 2016**

Related U.S. Application Data

(63) Continuation of application No. 29/518,402, filed on Feb. 23, 2015.
(51) **LOC (10) Cl.** **14-03**
(52) **U.S. Cl.**
USPC **D14/250**
(58) **Field of Classification Search**
USPC D14/143, 189, 203.2–203.7, 217, 238.1, D14/240, 248, 250, 251–253, 440, 447,
(Continued)

(56) **References Cited**

U.S. PATENT DOCUMENTS

D619,361 S 7/2010 Andre
D646,265 S 10/2011 Fathollahi
(Continued)

OTHER PUBLICATIONS

<https://www.youtube.com/watch?v=VqO0G67VROs>—Published Apr. 8, 2015.*

(Continued)

Primary Examiner — Ian Simmons
Assistant Examiner — Mojtaba Tehrani

(74) *Attorney, Agent, or Firm* — East West Law Group; Heedong Chae

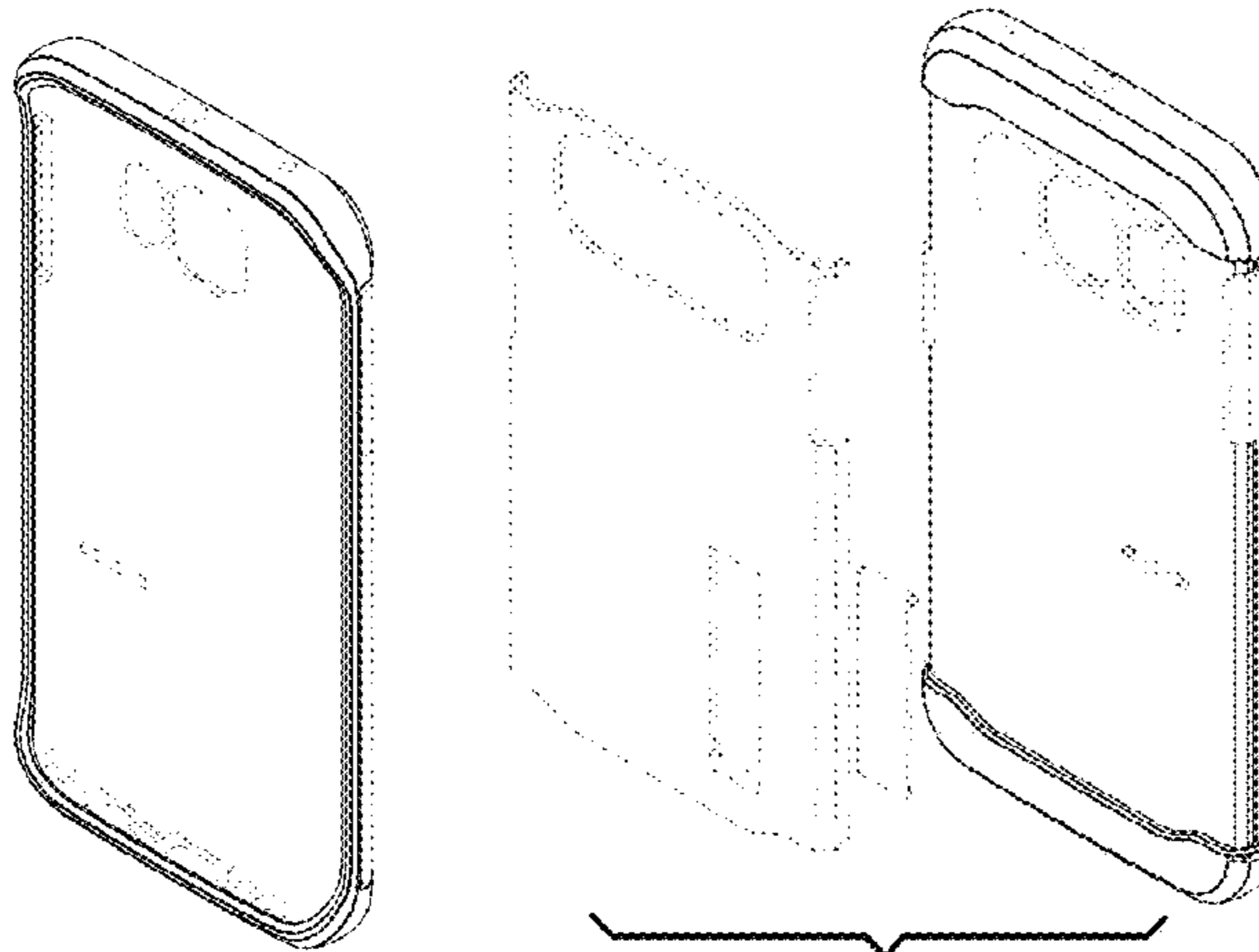
(57) **CLAIM**

The ornamental design for a case for an electronic device, as shown and described.

DESCRIPTION

FIG. 1 is a front perspective view of a case for an electronic device showing my new design;
FIG. 2 is a rear perspective view thereof;
FIG. 3 is a front elevational view thereof;
FIG. 4 is a rear elevational view thereof;
FIG. 5 is a left side elevational view thereof;
FIG. 6 is a right side elevational view thereof;
FIG. 7 is a top plan view thereof;
FIG. 8 is a bottom plan view thereof;
FIG. 9 is a rear perspective view thereof with a support leg extended;
FIG. 10 is an exploded front perspective view thereof showing an inner shell, the support leg, and an outer frame of the case;
FIG. 11 is an exploded rear perspective view thereof showing an inner shell, the support leg and an outer frame of the case;
FIG. 12 is a front perspective view of the inner shell of the case;
FIG. 13 is a rear perspective view of the inner shells of the case;
FIG. 14 is a front perspective view of the support leg of the case;
FIG. 15 is a rear perspective view of the support leg of the case;
FIG. 16 is a front perspective view of the outer frame of the case; and,
FIG. 17 is a rear perspective view of the outer frame of the case.
The broken line in the figure drawings represents an unclaimed environment only and forms no part of the claimed design.

1 Claim, 17 Drawing Sheets



(58) **Field of Classification Search**

USPC D14/496; D13/103, 107–108, 119;
 D3/201, 218, 247, 269, 273, 301, 303
 CPC A45C 1/06; A45C 11/00; A45C 13/02; A45C
 2011/002; A45F 2005/026; A45F
 2200/0525; A45F 2200/0516; H04B
 1/3888; H04M 1/0283; H04M 1/0202
 See application file for complete search history.

D753,099 S * 4/2016 Kim D14/250
 D763,841 S * 8/2016 Kim D14/250
 D765,645 S * 9/2016 Kim D14/250
 2011/0050606 A1 3/2011 Zhang
 2015/0335116 A1* 11/2015 Kim A45C 11/00
 224/191
 2016/0204817 A1* 7/2016 Kim H04B 1/3888
 455/575.8
 2016/0269516 A1* 9/2016 Kim H04M 1/04

(56) **References Cited**

U.S. PATENT DOCUMENTS

D650,371 S 12/2011 Wibby
 D655,281 S * 3/2012 Turocy D14/250
 D681,615 S 5/2013 Fathollahi
 D703,646 S * 4/2014 Fathollahi D14/250
 D706,254 S * 6/2014 Chang D14/217
 D718,757 S * 12/2014 Jaffee D14/250
 D718,758 S * 12/2014 Jaffee D14/250
 D721,360 S * 1/2015 Laffon de Mazieres D14/250
 D746,273 S 12/2015 Herbst
 D746,275 S * 12/2015 Mohammad D14/250
 D749,535 S 2/2016 Joung

OTHER PUBLICATIONS

“Galaxy S6 Edge Case,”http://cdn.shopify.com/s/files/1/0808/0067/products/m_GS6_edge_title_SA_white_1024x1024.jpg?v=1466725946, Downloaded Jul. 21, 2016, 6Pages.
 “Galaxy S6 Edge Case Slim Armor,”https://www.amazon.com/Spigen%C2%AE-CUSHION-Cushioned-Corners-Protective/dp/B00SV63G38?ie=UTF*&ref_=cm_cr_ar_p_d_product_top, Downloaded Jul. 21, 2016, 9Pages.
 “Best 10 cases for Samsung Galaxy S6 edge,”<http://www.androidcentral.com/top-6-cases-samsung-galaxy-s6-edge>, Downloaded Jul. 21, 2016, 11Pages.

* cited by examiner

FIG. 1

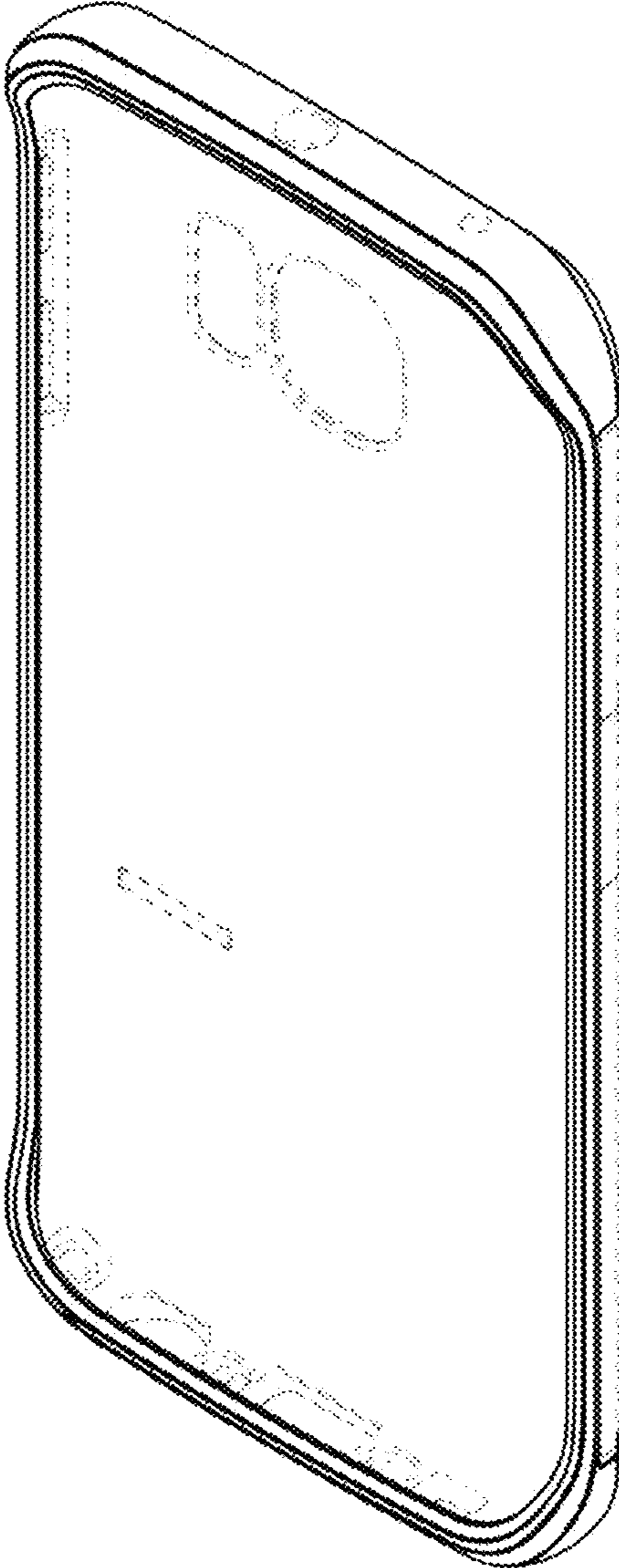


FIG. 2

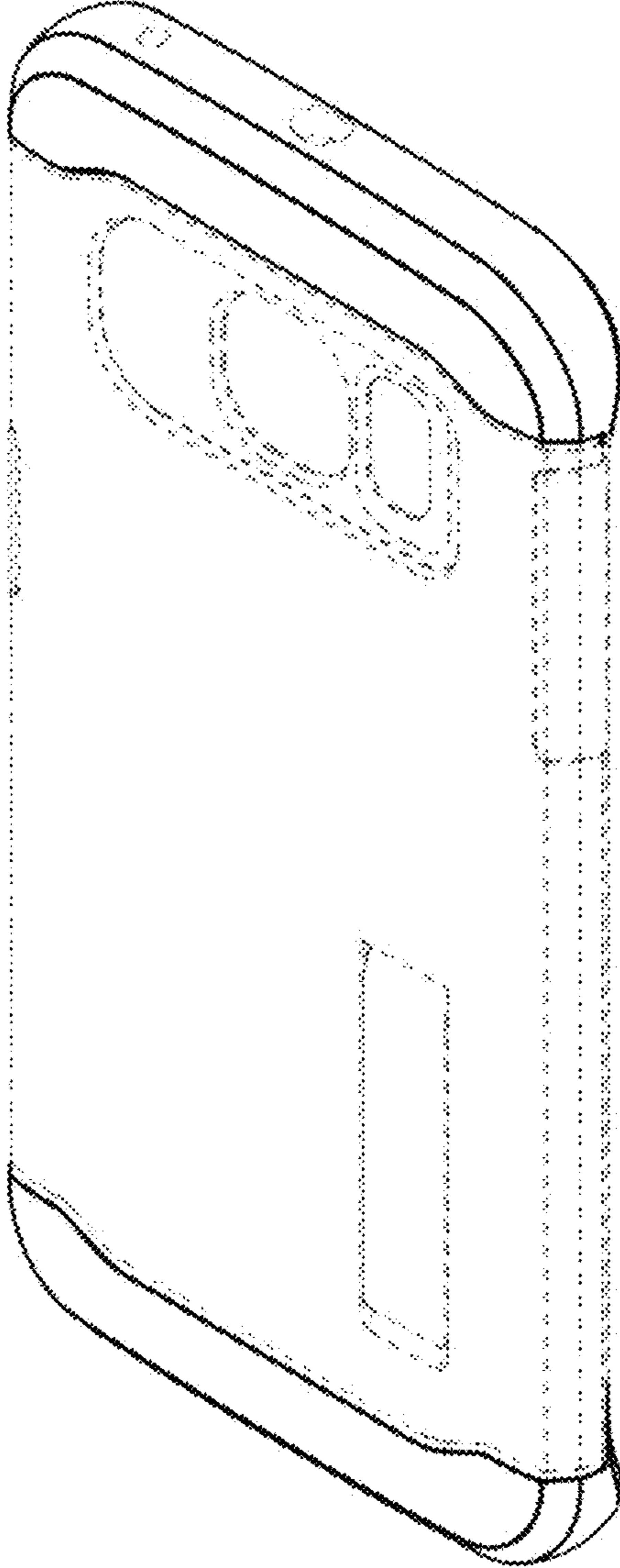


FIG. 3

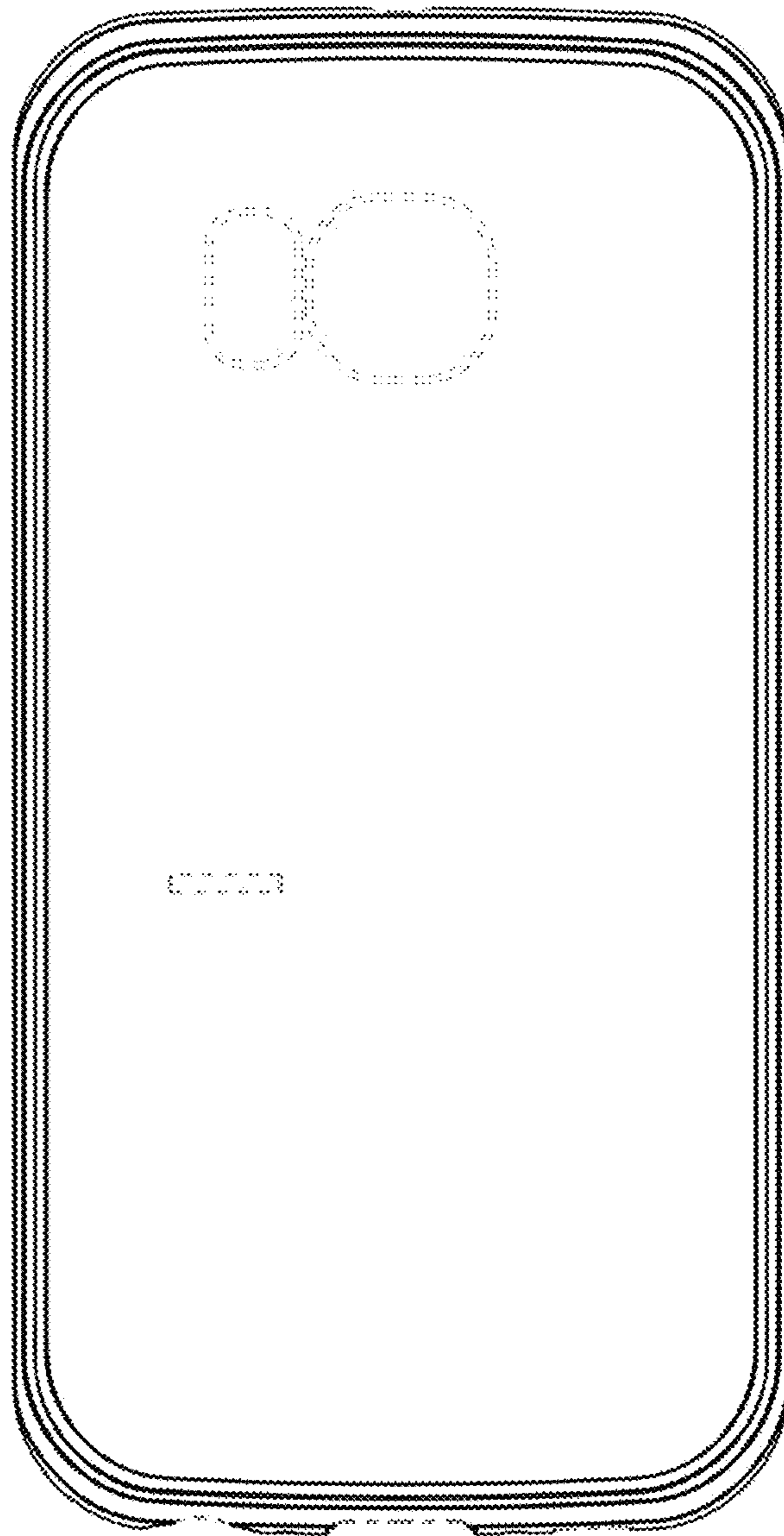


FIG. 4

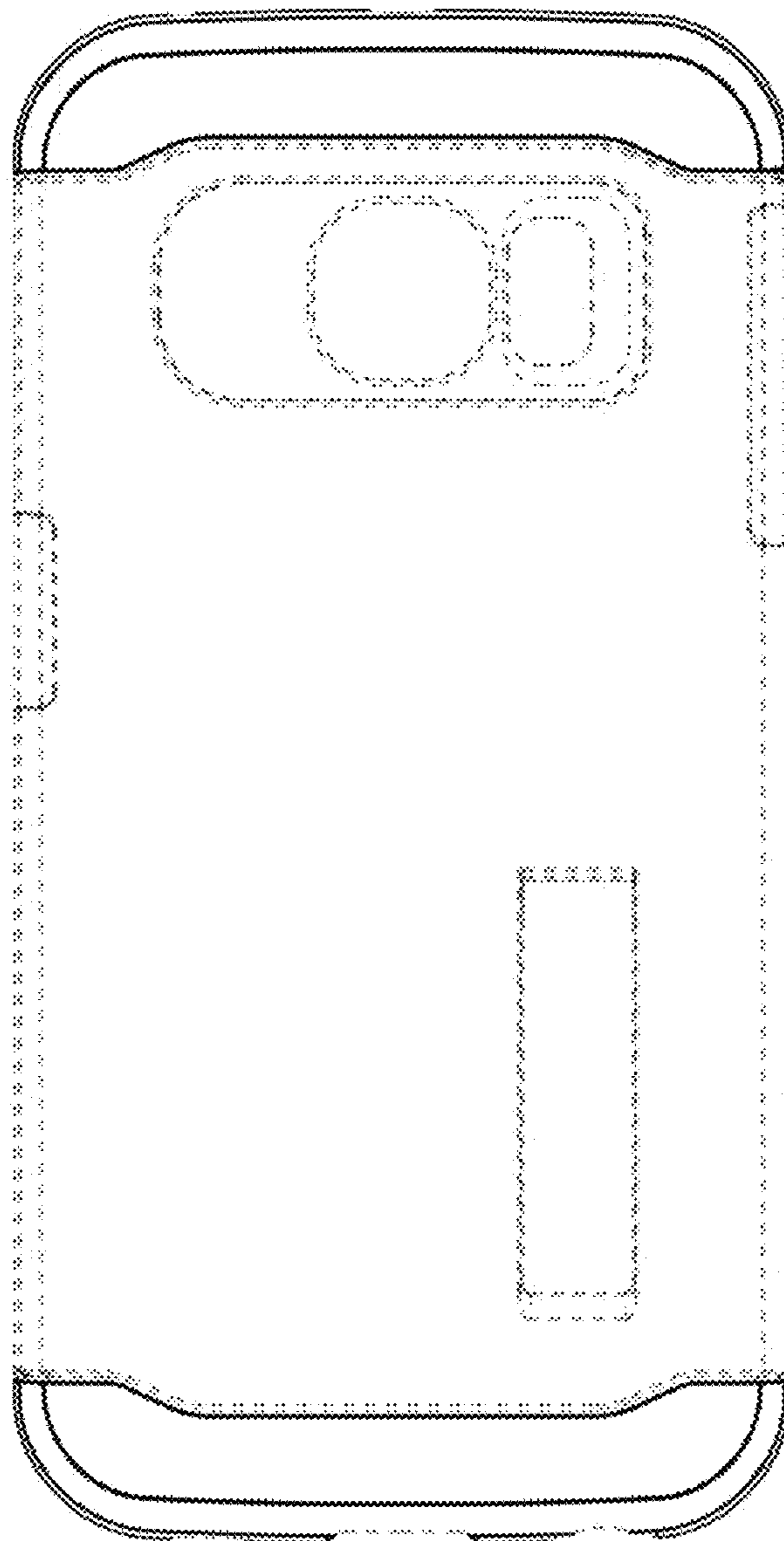


FIG. 5

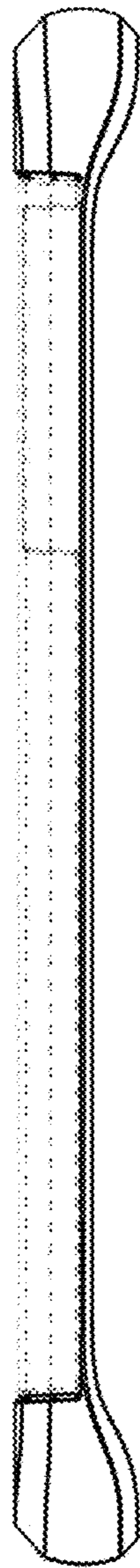


FIG. 6

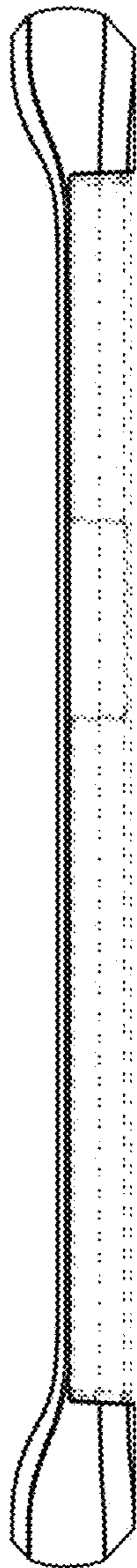


FIG. 7



FIG. 8



FIG. 9

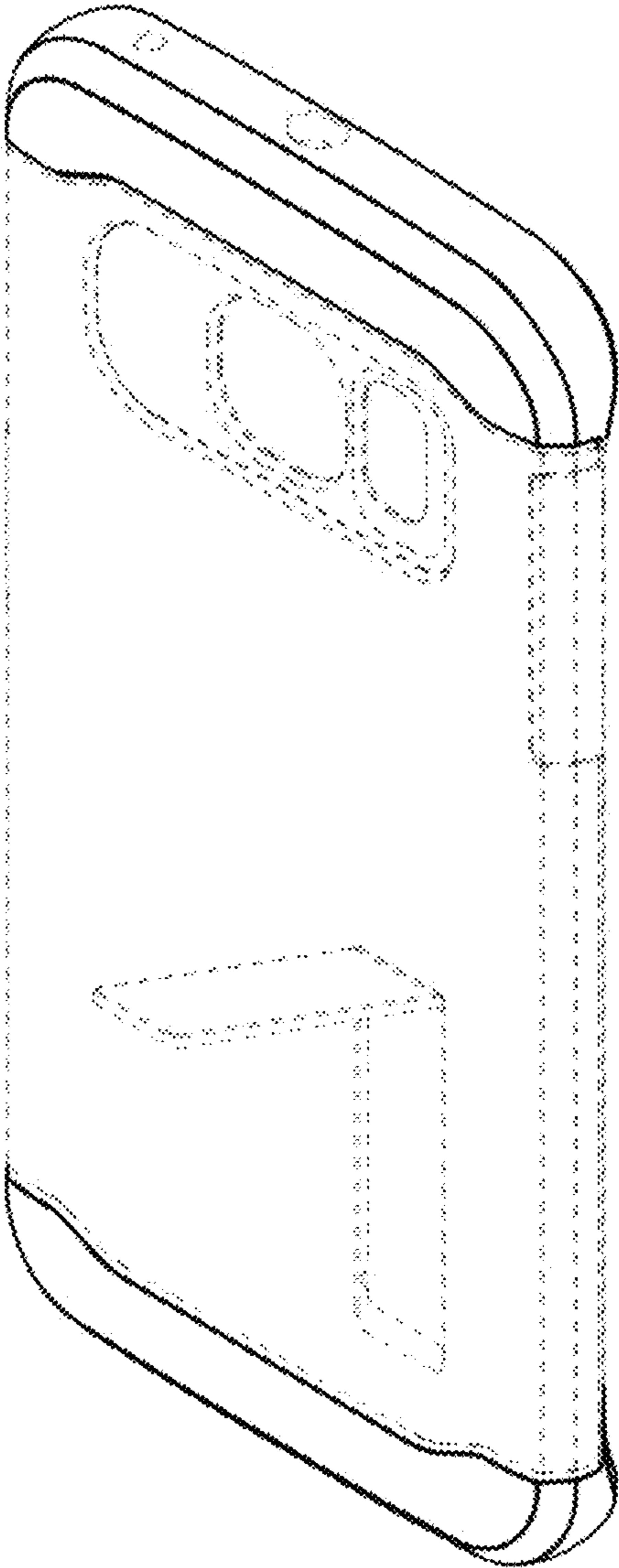


FIG. 10

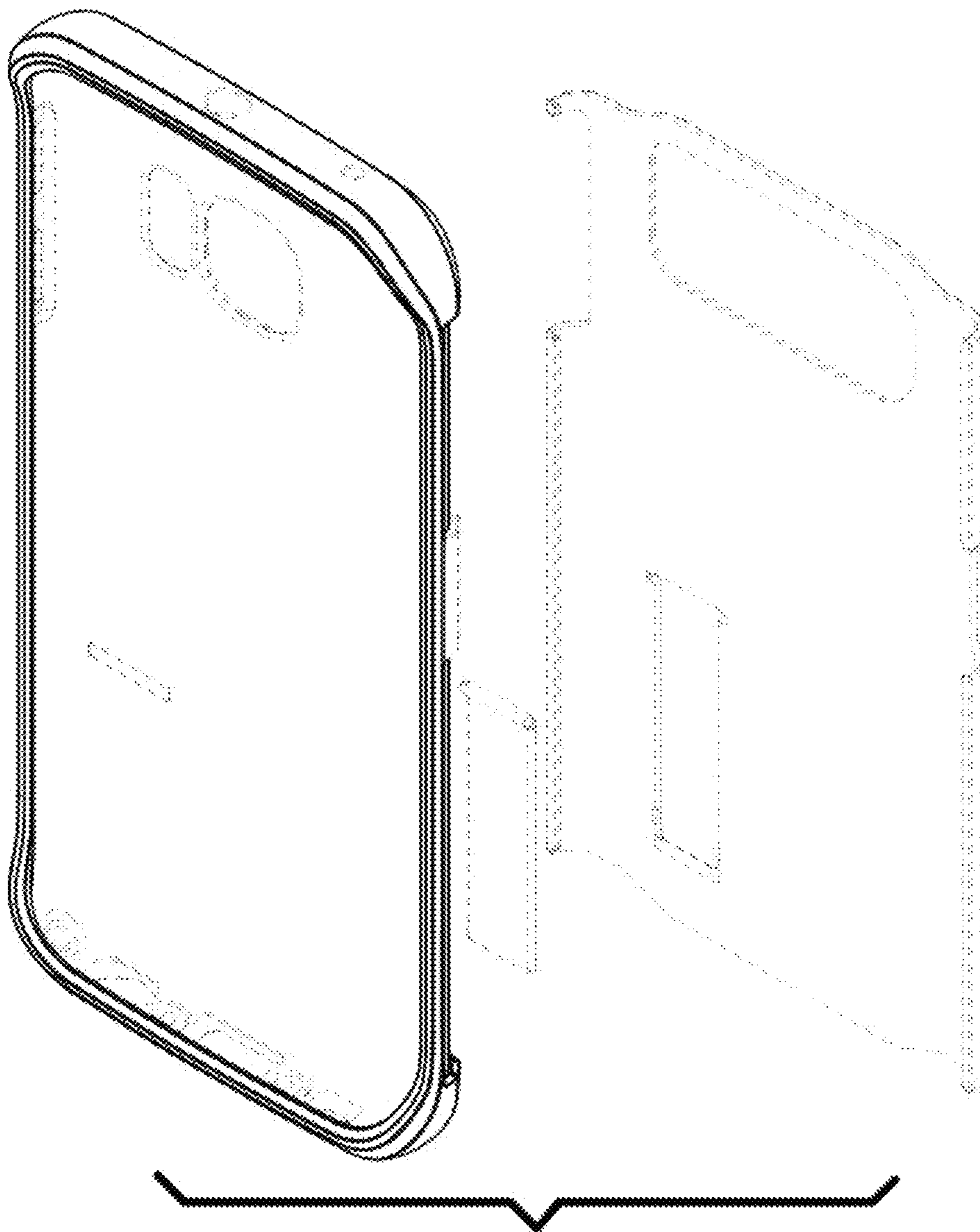


FIG. 11

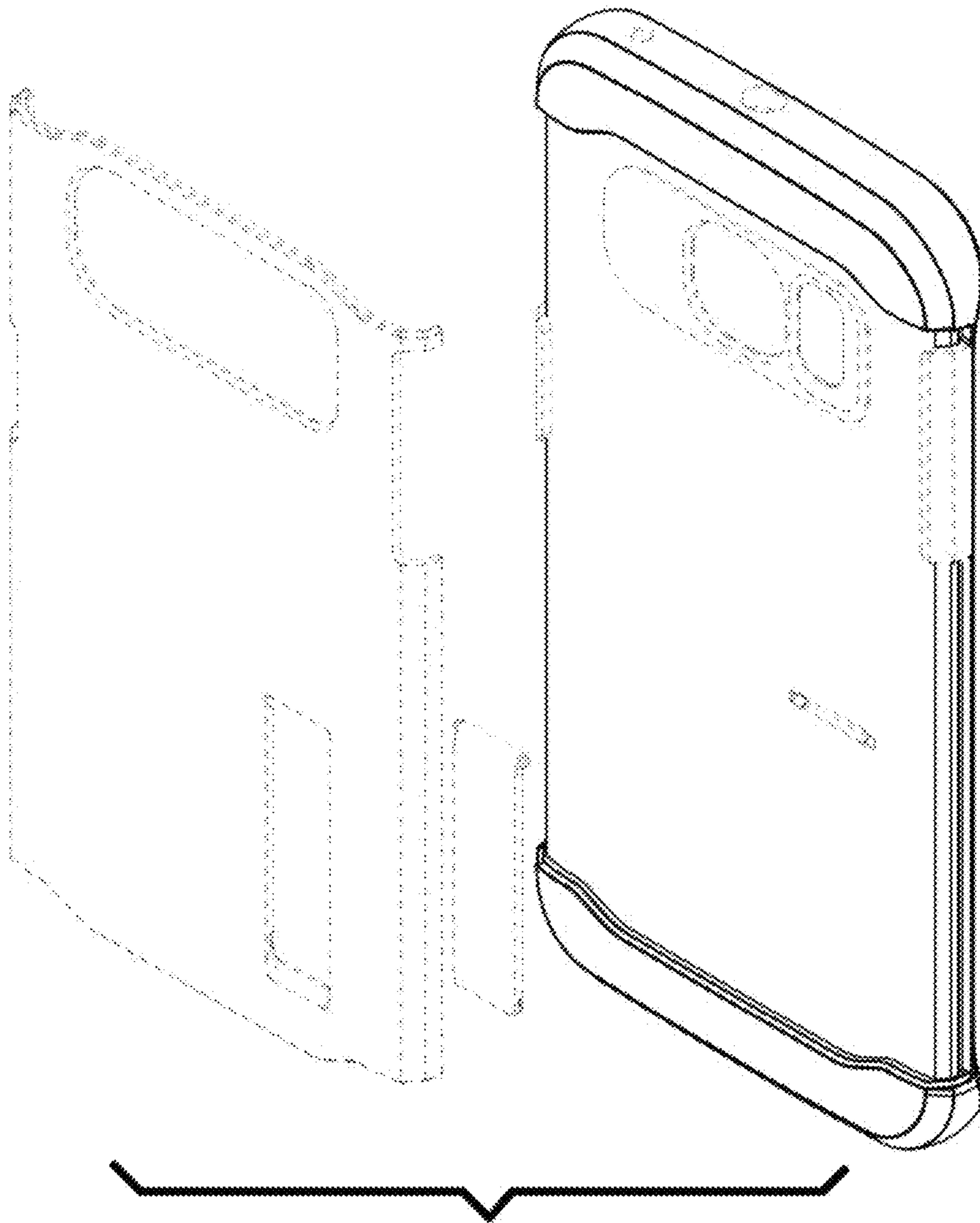


FIG. 12

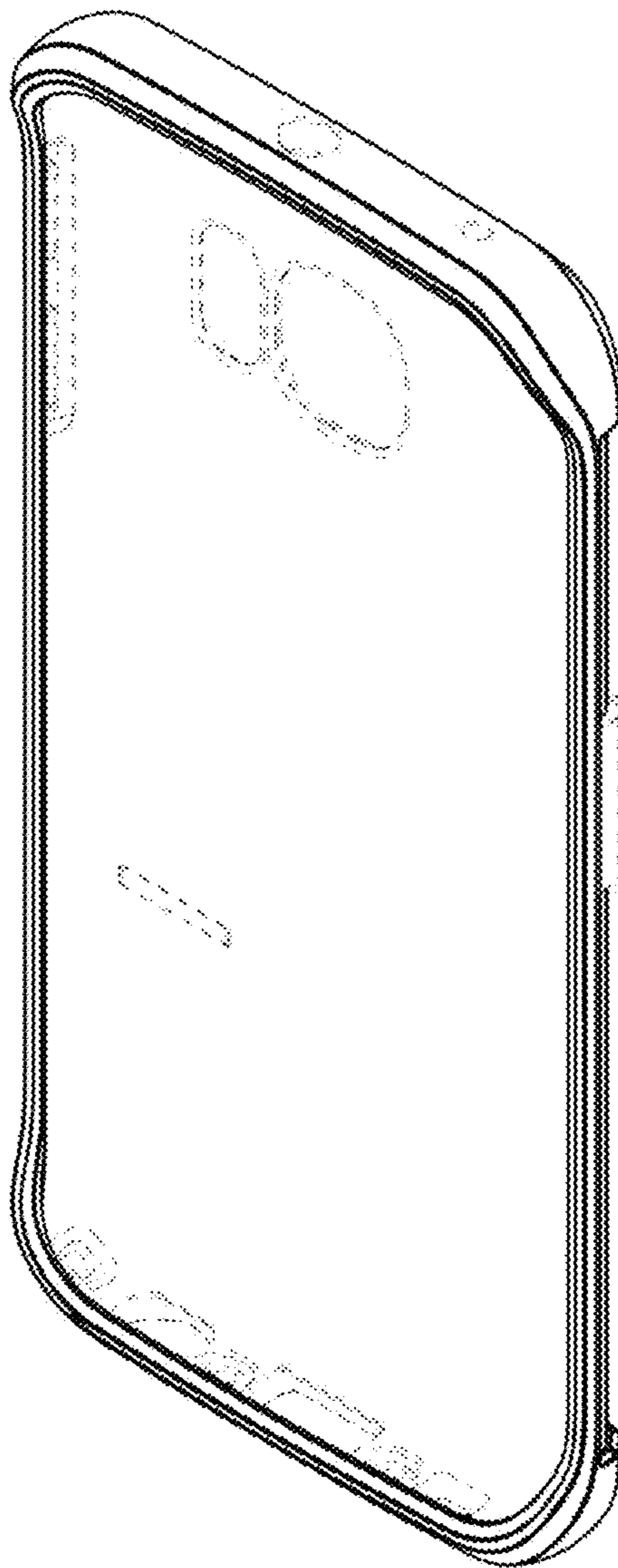


FIG. 13

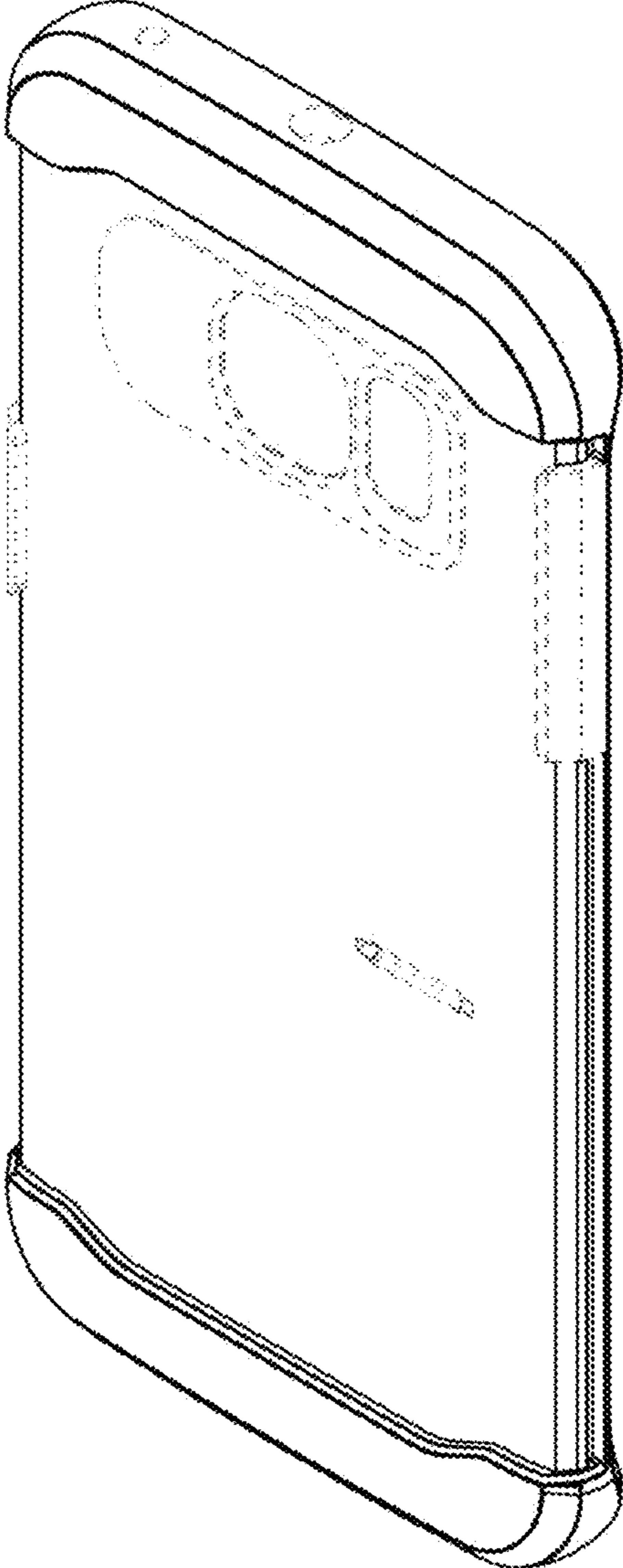


FIG. 14

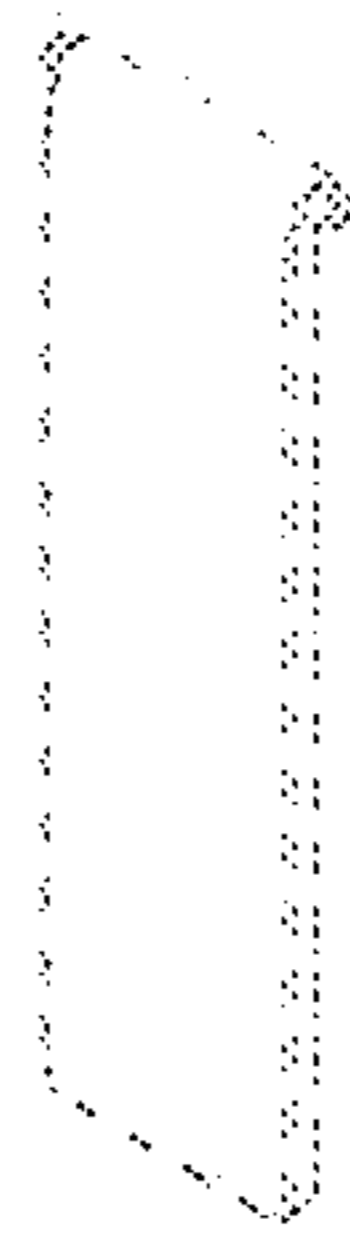


FIG. 15

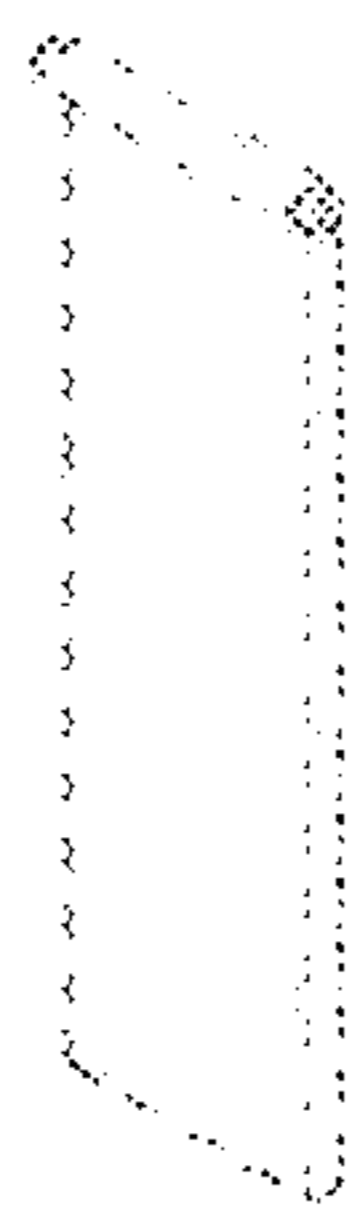


FIG. 16

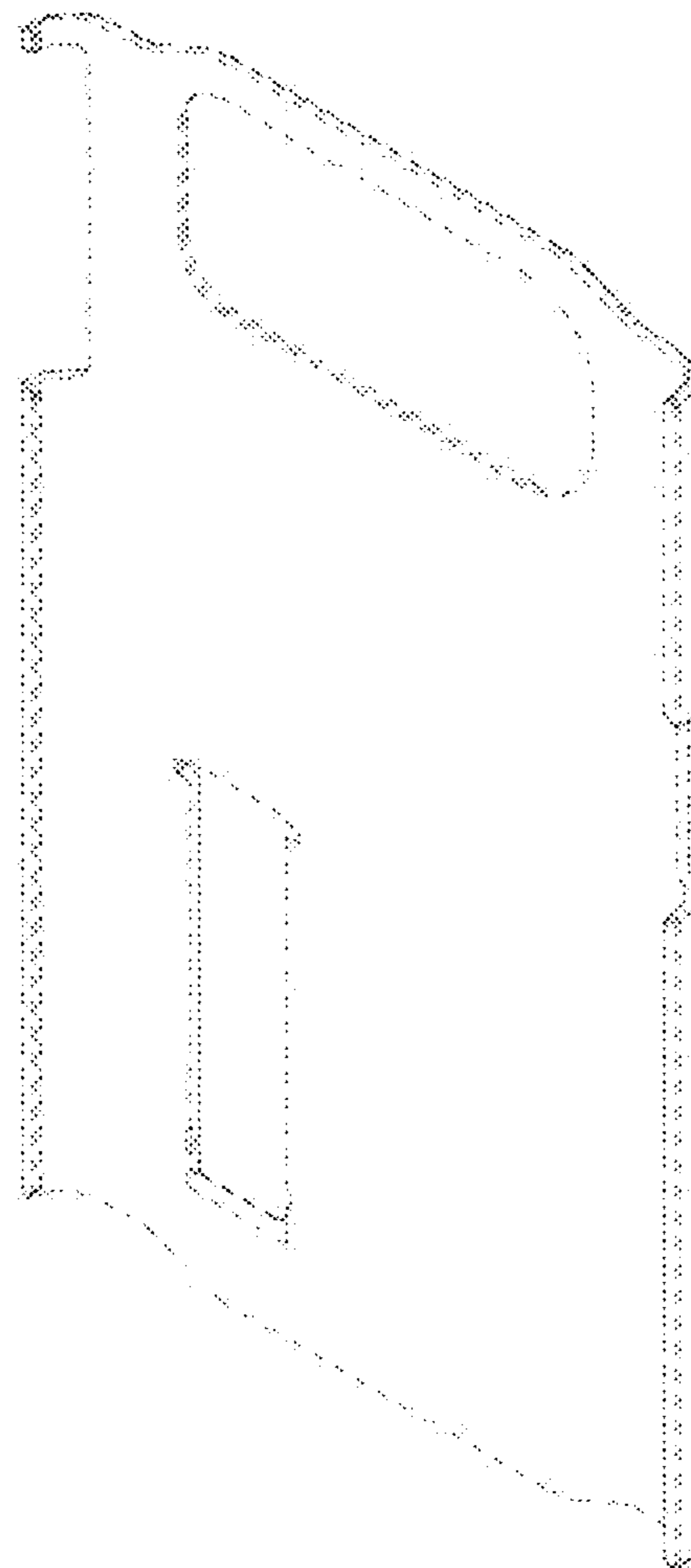


FIG. 17

