



US00D786851S

(12) **United States Design Patent** (10) **Patent No.:** **US D786,851 S**
Kim (45) **Date of Patent:** **** May 16, 2017**

(54) **CASE FOR ELECTRONIC DEVICES**

(71) Applicant: **Dae-Young Kim**, Seoul (KR)

(72) Inventor: **Dae-Young Kim**, Seoul (KR)

(73) Assignee: **SPIGEN KOREA CO., LTD.**,
Geumcheon-Gu, Seoul (KR)

(**) Term: **14 Years**

(21) Appl. No.: **29/518,402**

(22) Filed: **Feb. 23, 2015**

(51) **LOC (10) Cl.** **14-03**

(52) **U.S. Cl.**
USPC **D14/250**

(58) **Field of Classification Search**

USPC D14/143, 189, 203.2–203.7, 217, 238.1,
D14/240, 248, 250, 251–253, 440, 447,
D14/496; D13/103, 107–108, 119;
D3/201, 218, 247, 269, 273, 301, 303
CPC A45C 1/06; A45C 11/00; A45C 13/02; A45C
2011/002; A45F 2005/026; A45F
2200/0525; A45F 2200/0516; H04B
1/3888; H04M 1/0283; H04M 1/0202
See application file for complete search history.

(56) **References Cited**

U.S. PATENT DOCUMENTS

D619,361 S * 7/2010 Andre D3/269
D646,265 S * 10/2011 Fathollahi D14/250
(Continued)

OTHER PUBLICATIONS

<http://www.spigen.com/collections/galaxy-s6-edge/products/galaxy-s6-edge-case-slim-armor?variant=1161474189>—Downloaded
Mar. 23, 2016.*

(Continued)

Primary Examiner — Manpreet Matharu

Assistant Examiner — Mojtaba Tehrani

(74) *Attorney, Agent, or Firm* — East West Law Group;
Heedong Chae

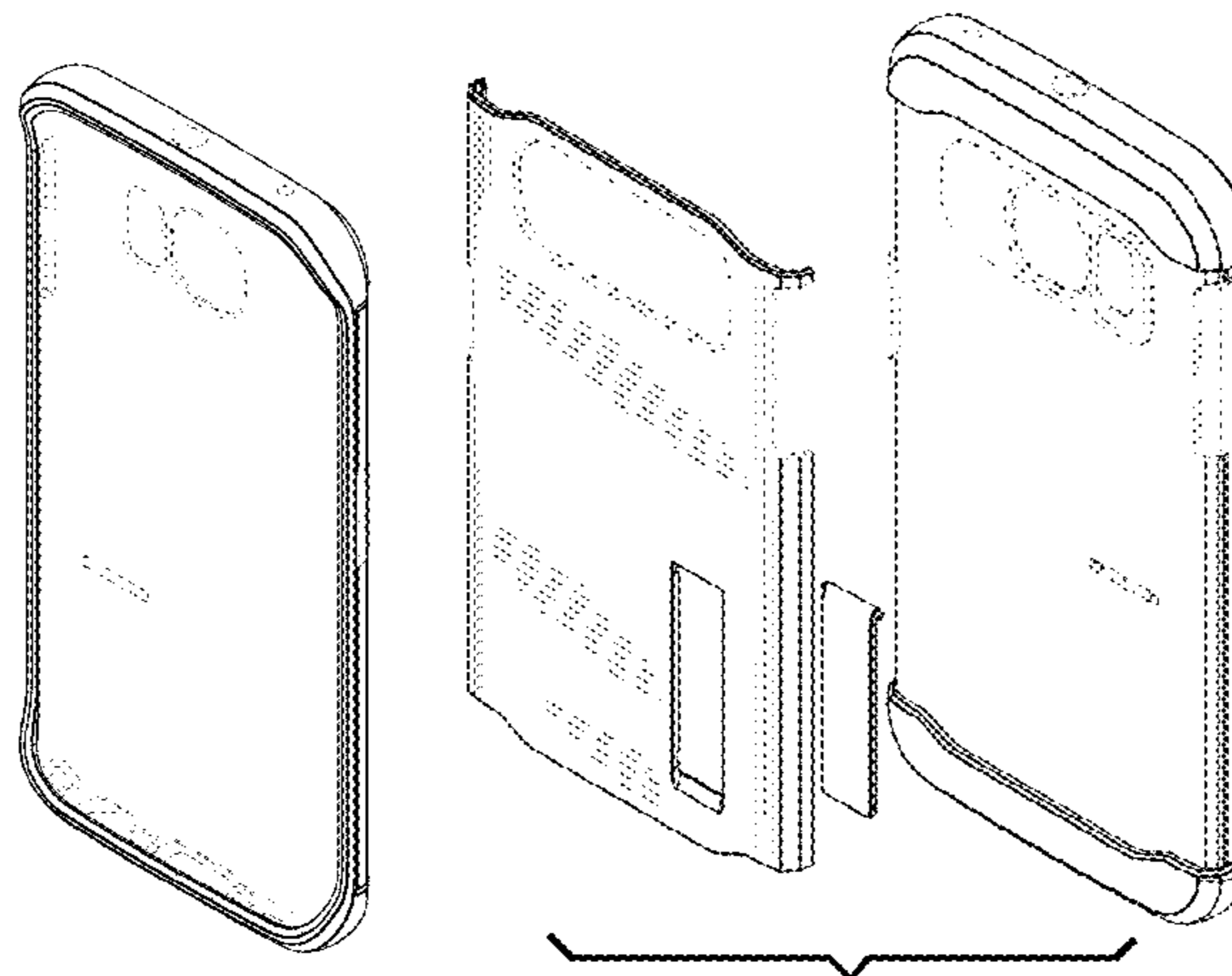
(57) **CLAIM**

The ornamental design for a case for electronic devices, as shown and described.

DESCRIPTION

FIG. 1 is a front perspective view of a case for electronic devices showing my new design;
FIG. 2 is a rear perspective view thereof;
FIG. 3 is a front elevational view thereof;
FIG. 4 is a rear elevational view thereof;
FIG. 5 is a left side elevational view thereof;
FIG. 6 is a right side elevational view thereof;
FIG. 7 is a top plan view thereof;
FIG. 8 is a bottom plan view thereof;
FIG. 9 is rear perspective view thereof with a support leg extended;
FIG. 10 is an exploded front perspective view thereof showing an inner shell, the support leg, and an outer frame of the case;
FIG. 11 is an exploded rear perspective view thereof showing an inner shell, the support leg, and an outer frame of the case;
FIG. 12 is a front perspective view of the inner shell of the case;
FIG. 13 is a rear perspective view of the inner shell of the case;
FIG. 14 is a front perspective view of the support leg of the case;
FIG. 15 is a rear perspective view of the support leg of the case;
FIG. 16 is a front perspective view of the outer frame of the case; and,
FIG. 17 is a rear perspective view of the outer frame of the case.
The broken line in the figure drawing represents an unclaimed environment only and forms no part of the claimed design.

1 Claim, 17 Drawing Sheets



(56)

References Cited

U.S. PATENT DOCUMENTS

D650,371 S * 12/2011 Wibby D14/238.1
D681,615 S * 5/2013 Fathollahi D14/250
D703,646 S * 4/2014 Fathollahi D14/250
D706,254 S * 6/2014 Chang D14/217
D746,273 S * 12/2015 Herbst D14/250
D749,535 S * 2/2016 Joung D14/138 G
2011/0050606 A1* 3/2011 Zhang H04M 1/0202
345/173
2015/0335116 A1* 11/2015 Kim A45C 11/00
224/191

OTHER PUBLICATIONS

http://www.amazon.com/Spigen%C2%AE-CUSHION-Cushioned-Corners-Protective/dp/B00SV63G38/ref=cm_cr_arp_d_product_top?ie=UTF8—Earliest review date of Apr. 3, 2015.*

<http://www.androidcentral.com/top-6-cases-samsung-galaxy-s6-edge>—Published Apr. 30, 2015.*

* cited by examiner

FIG. 1

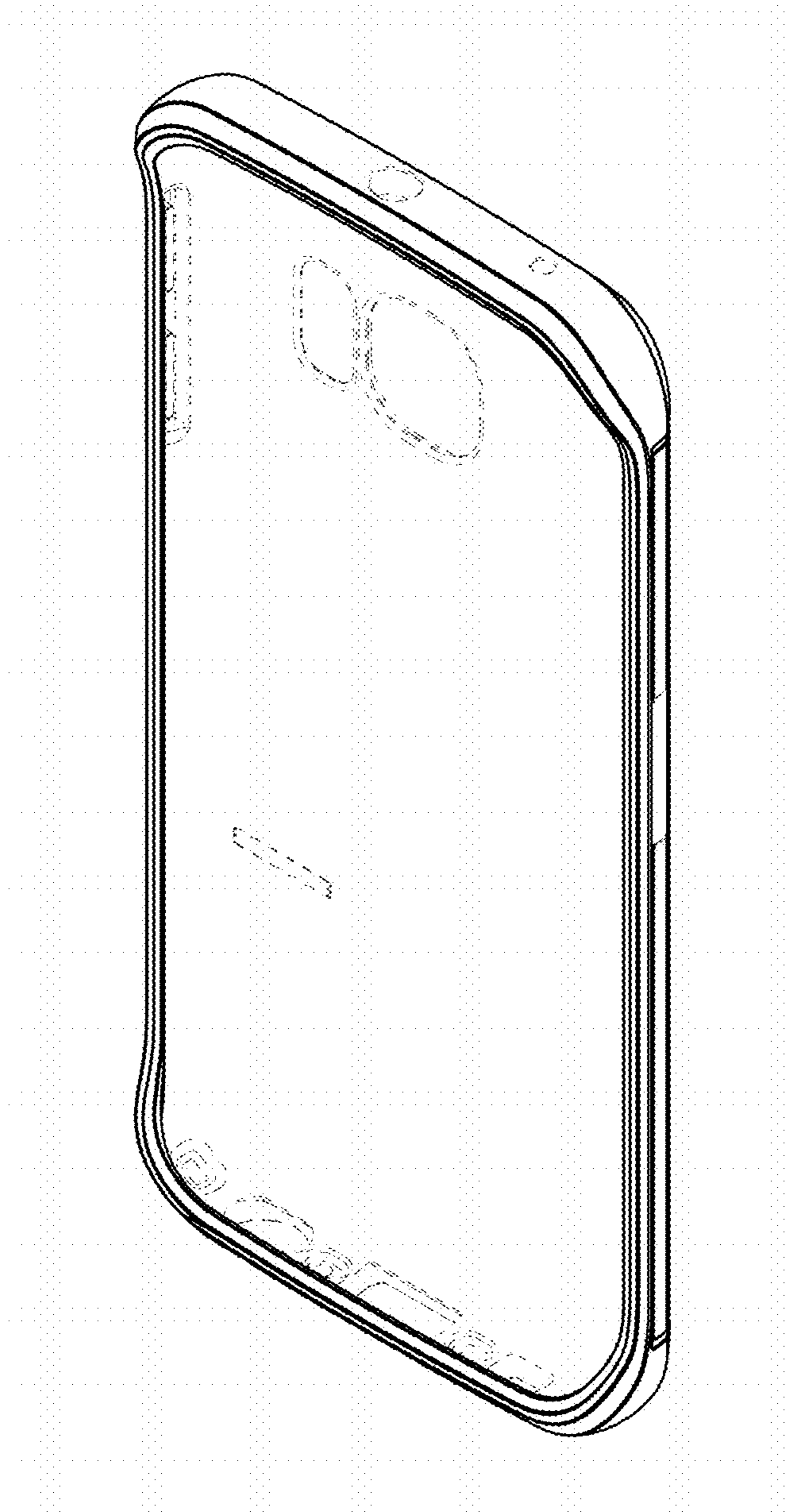


FIG. 2

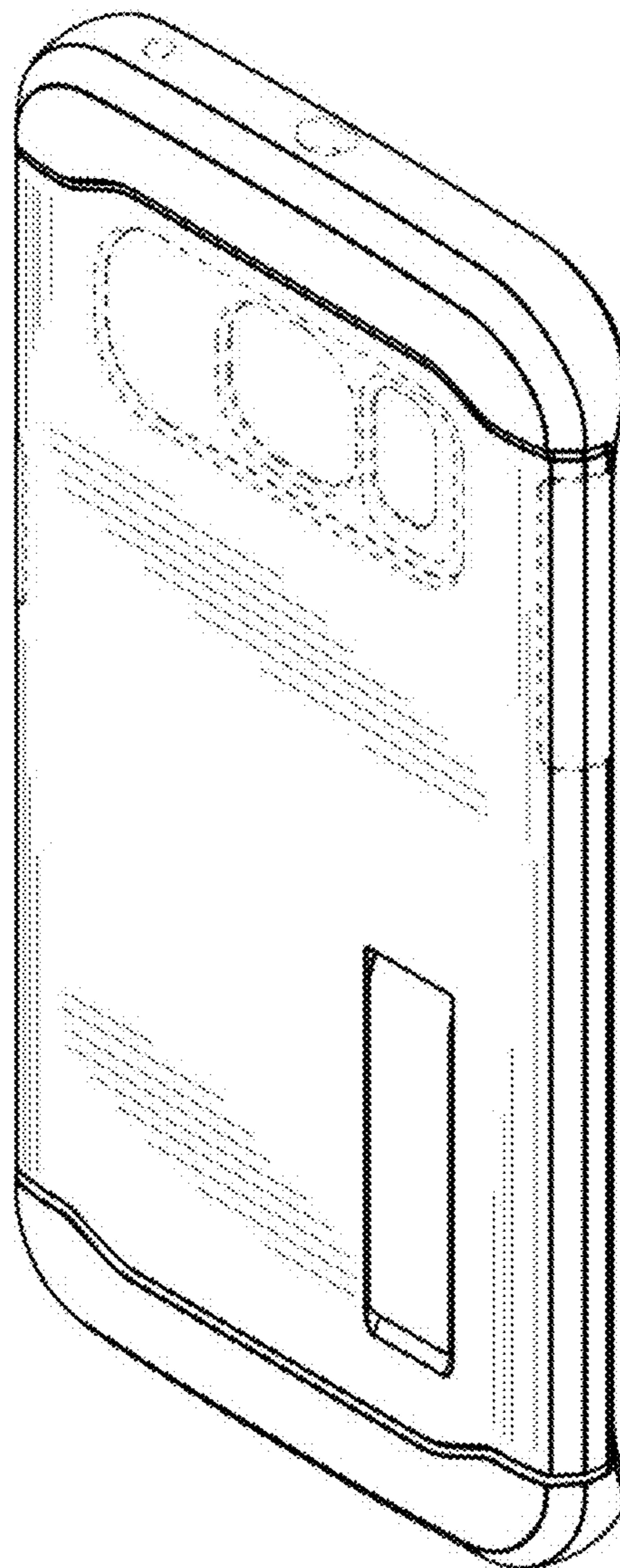


FIG. 3

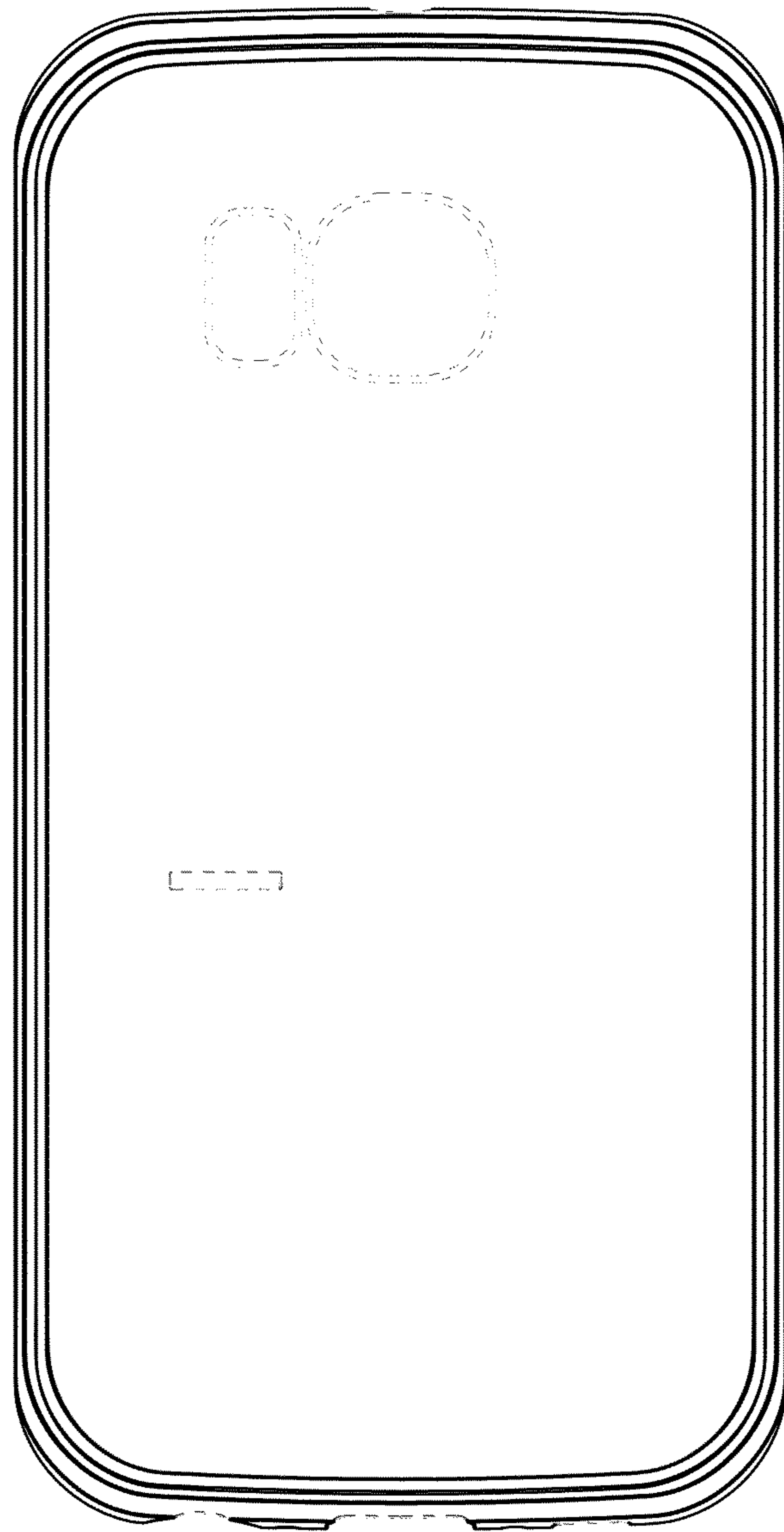


FIG. 4

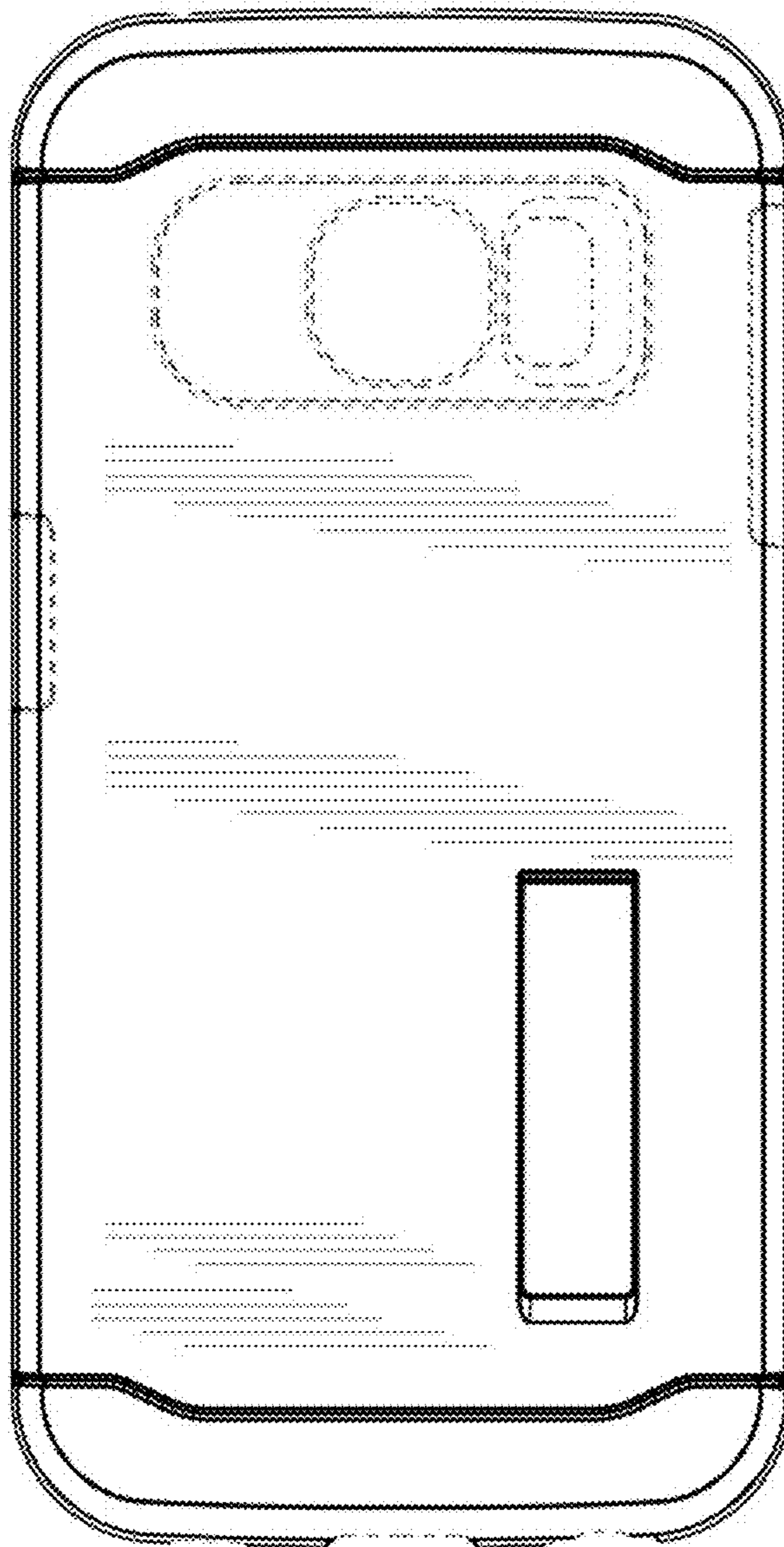


FIG. 5

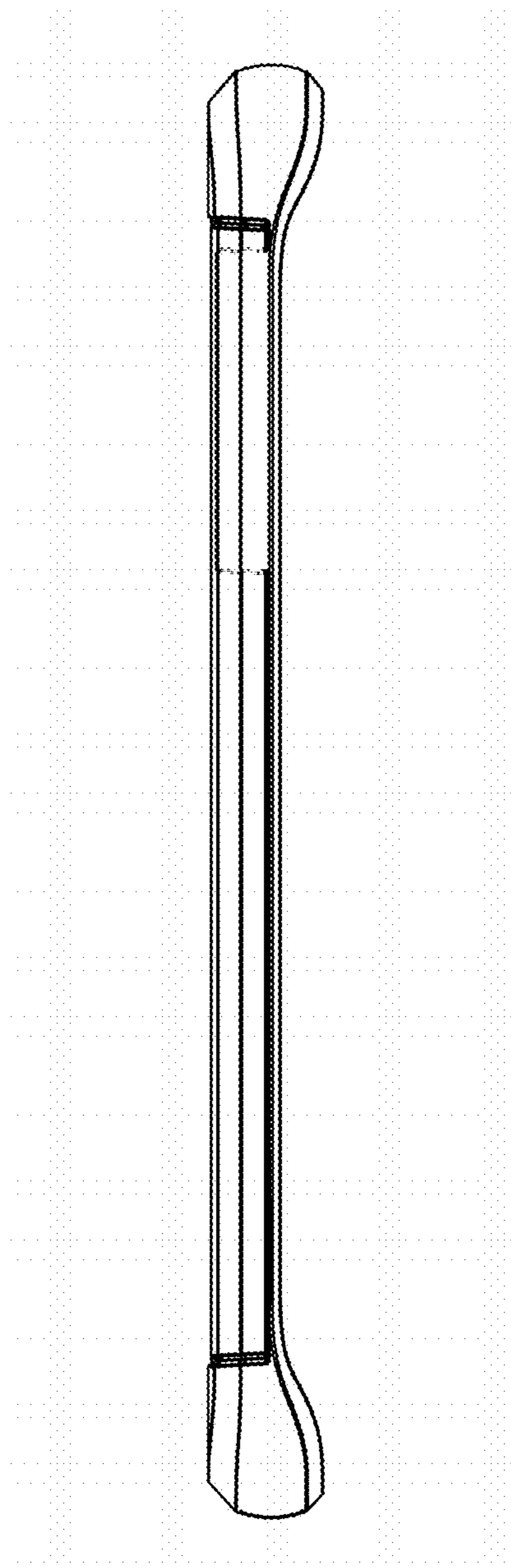


FIG. 6

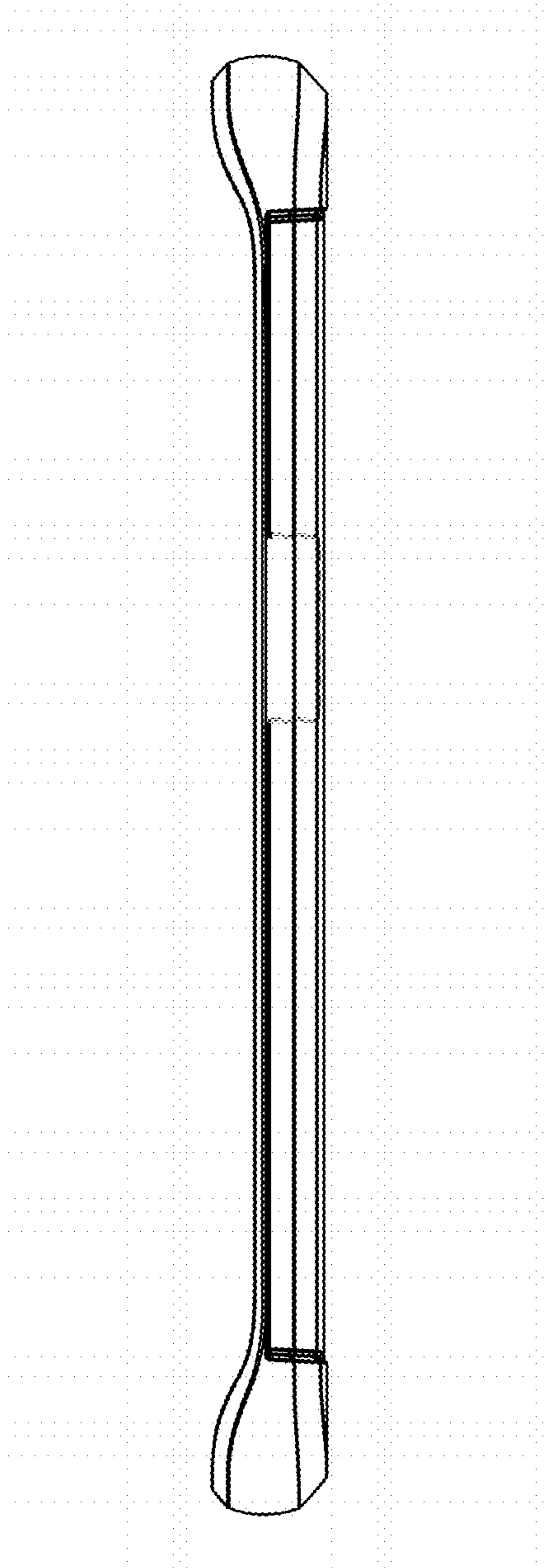


FIG. 7

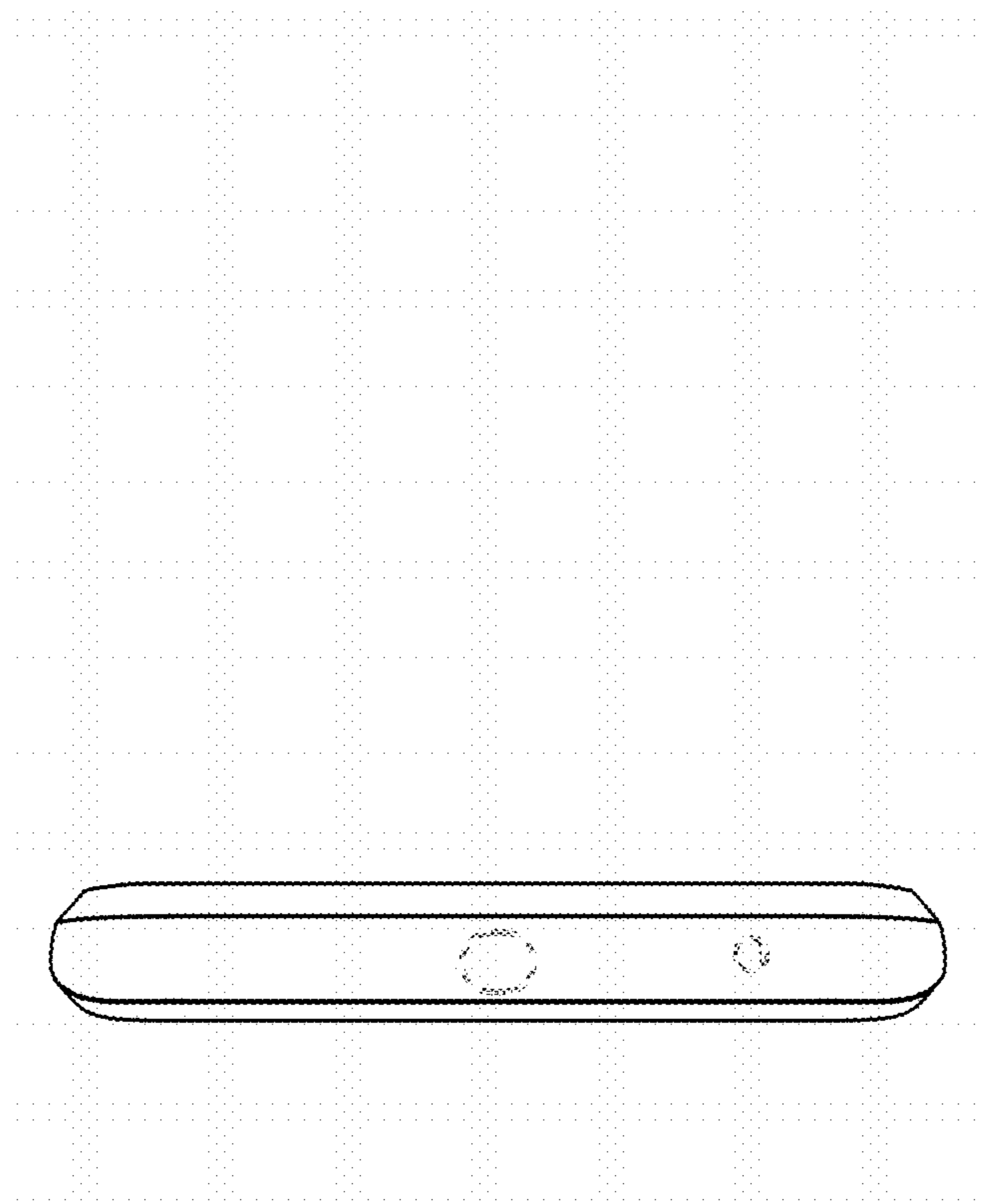


FIG. 8

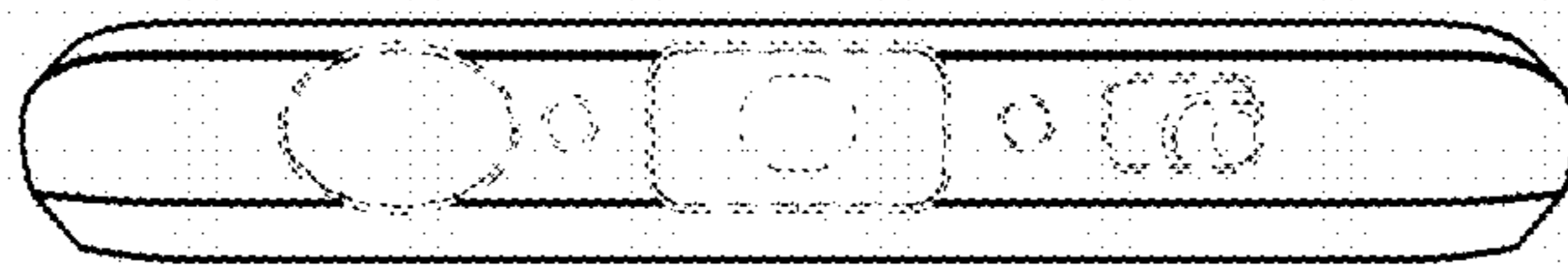


FIG. 9

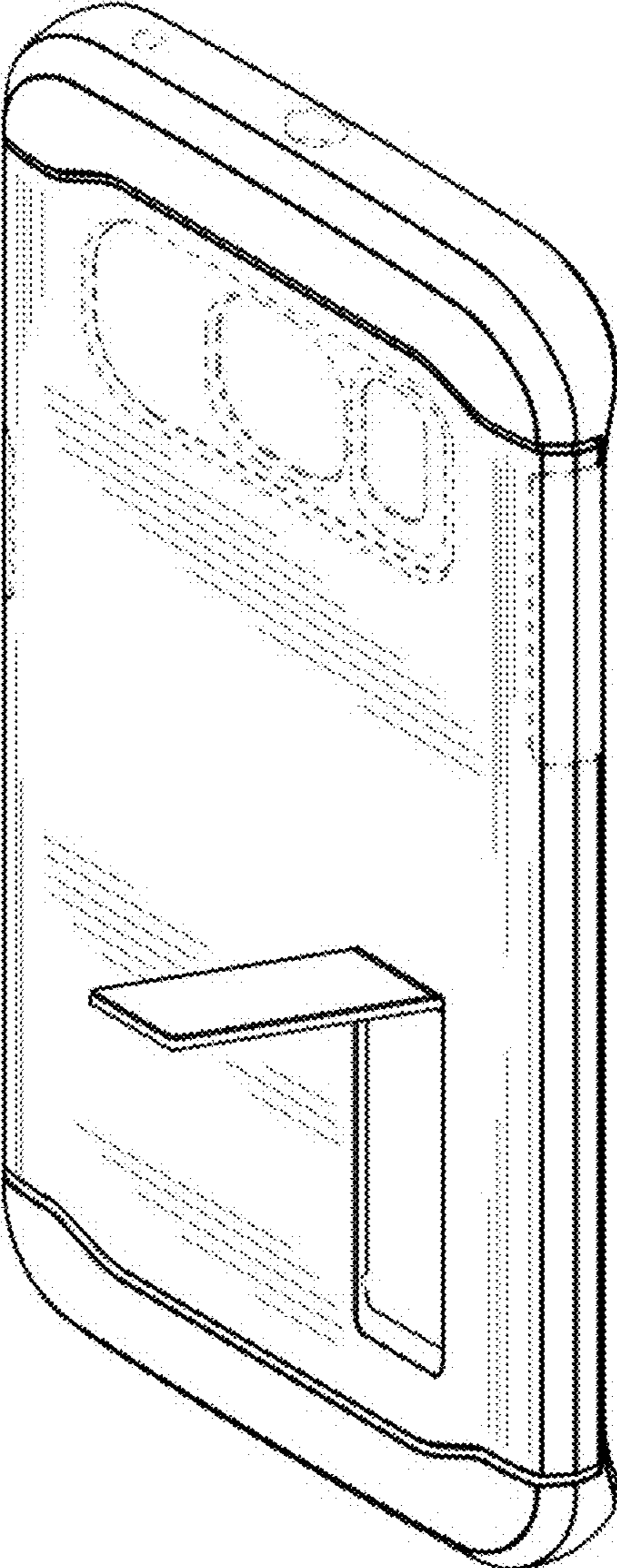


FIG. 10

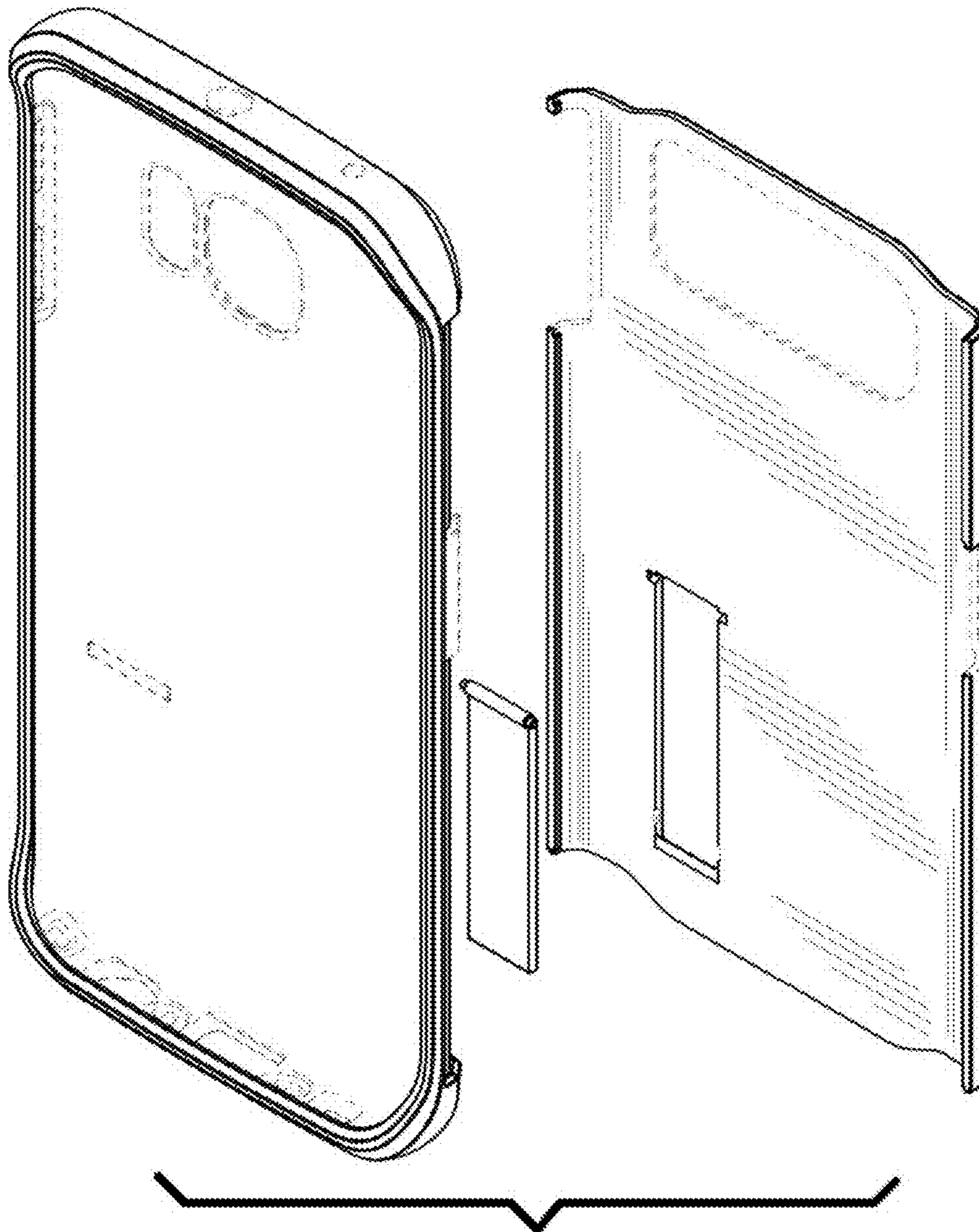


FIG. 11

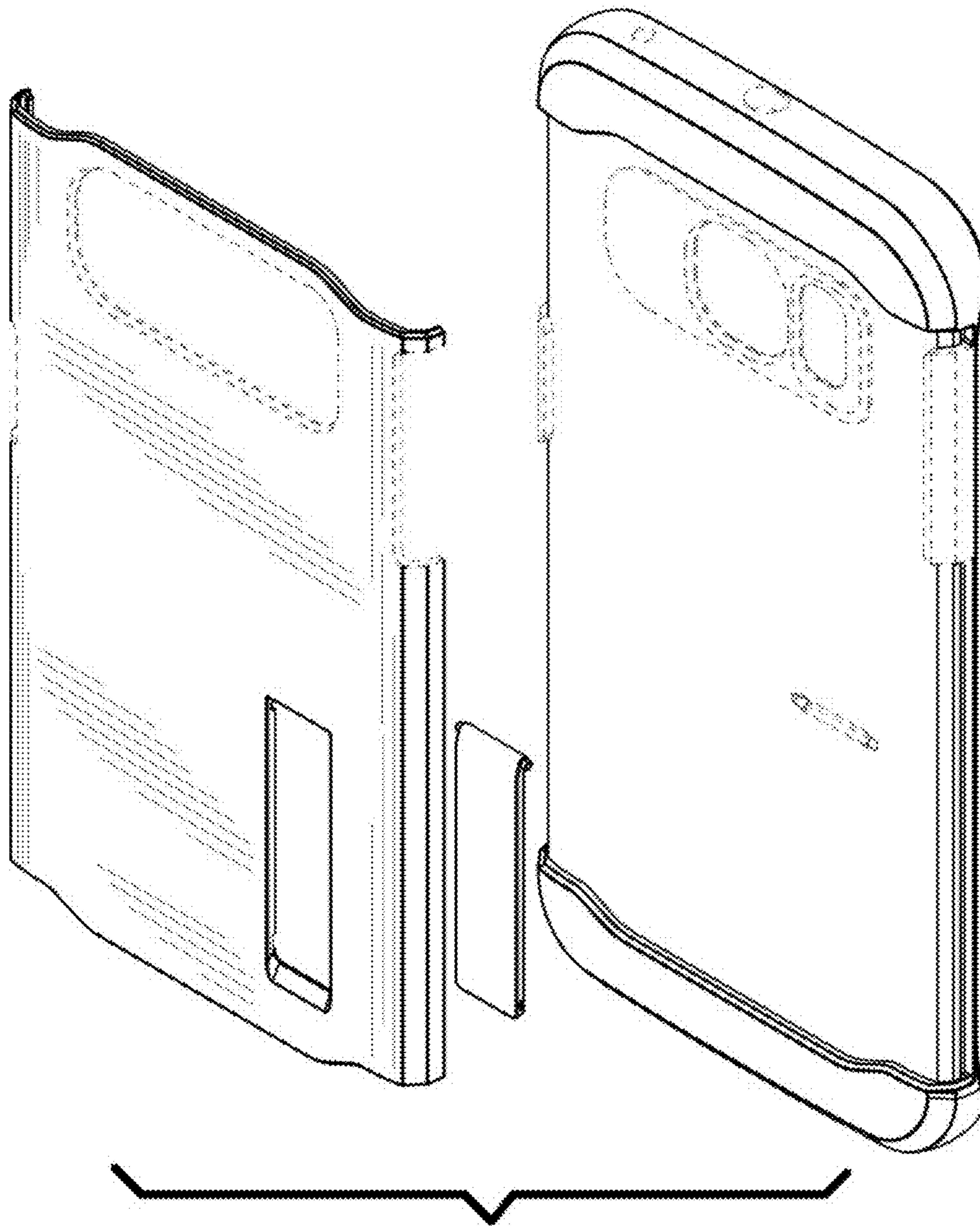


FIG. 12

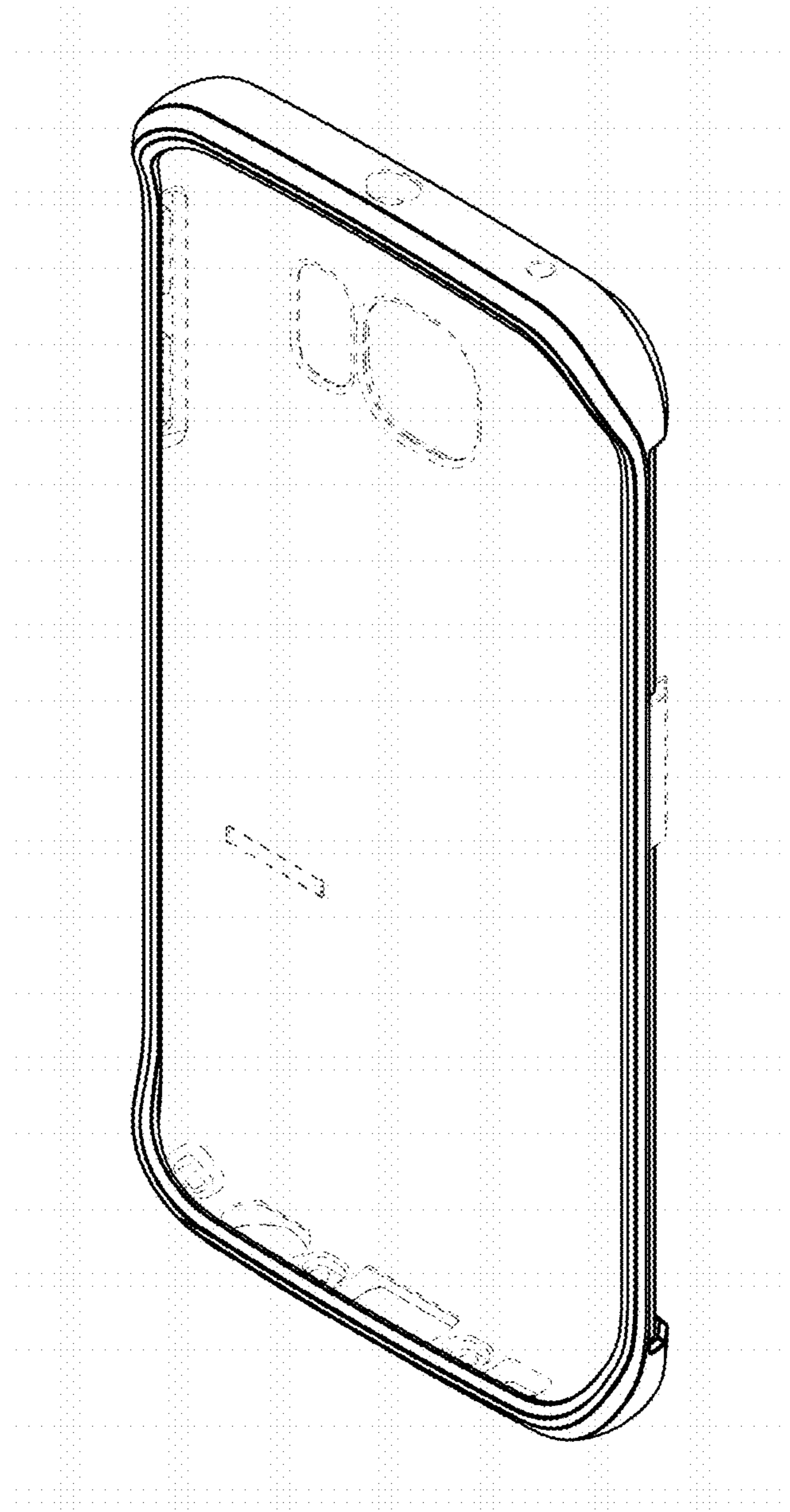


FIG. 13

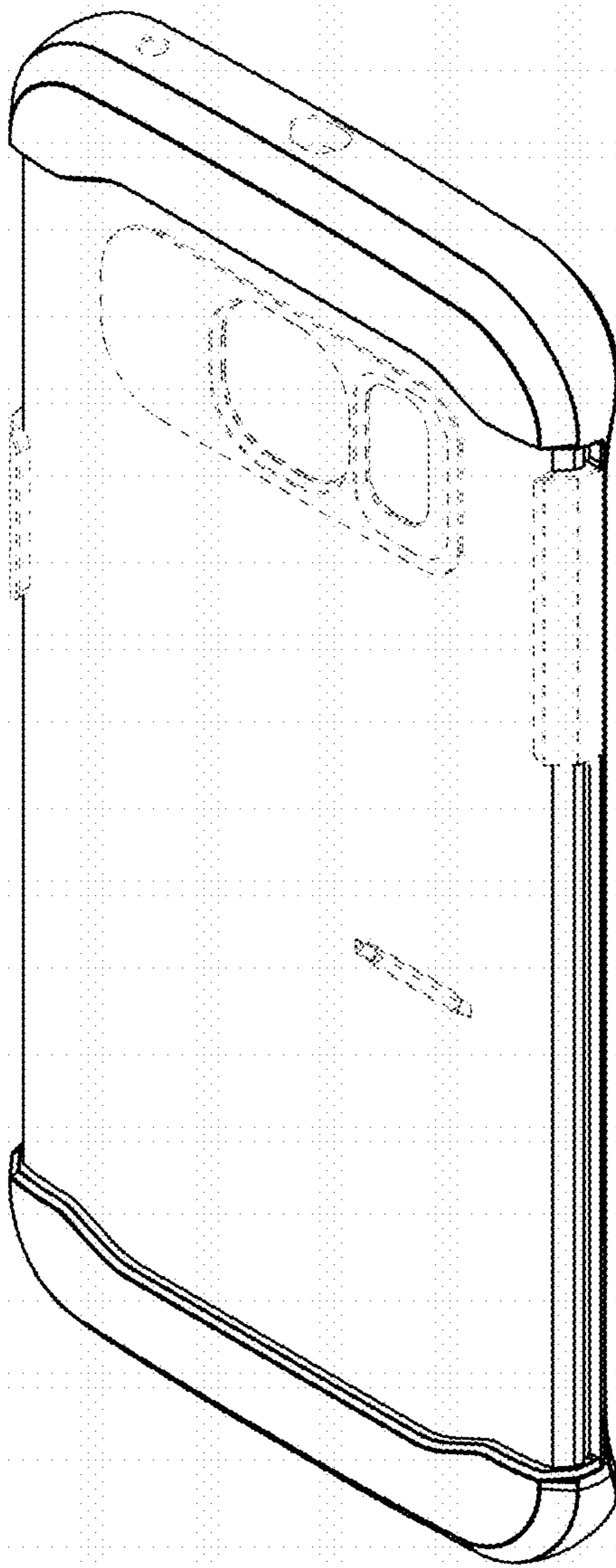


FIG. 14

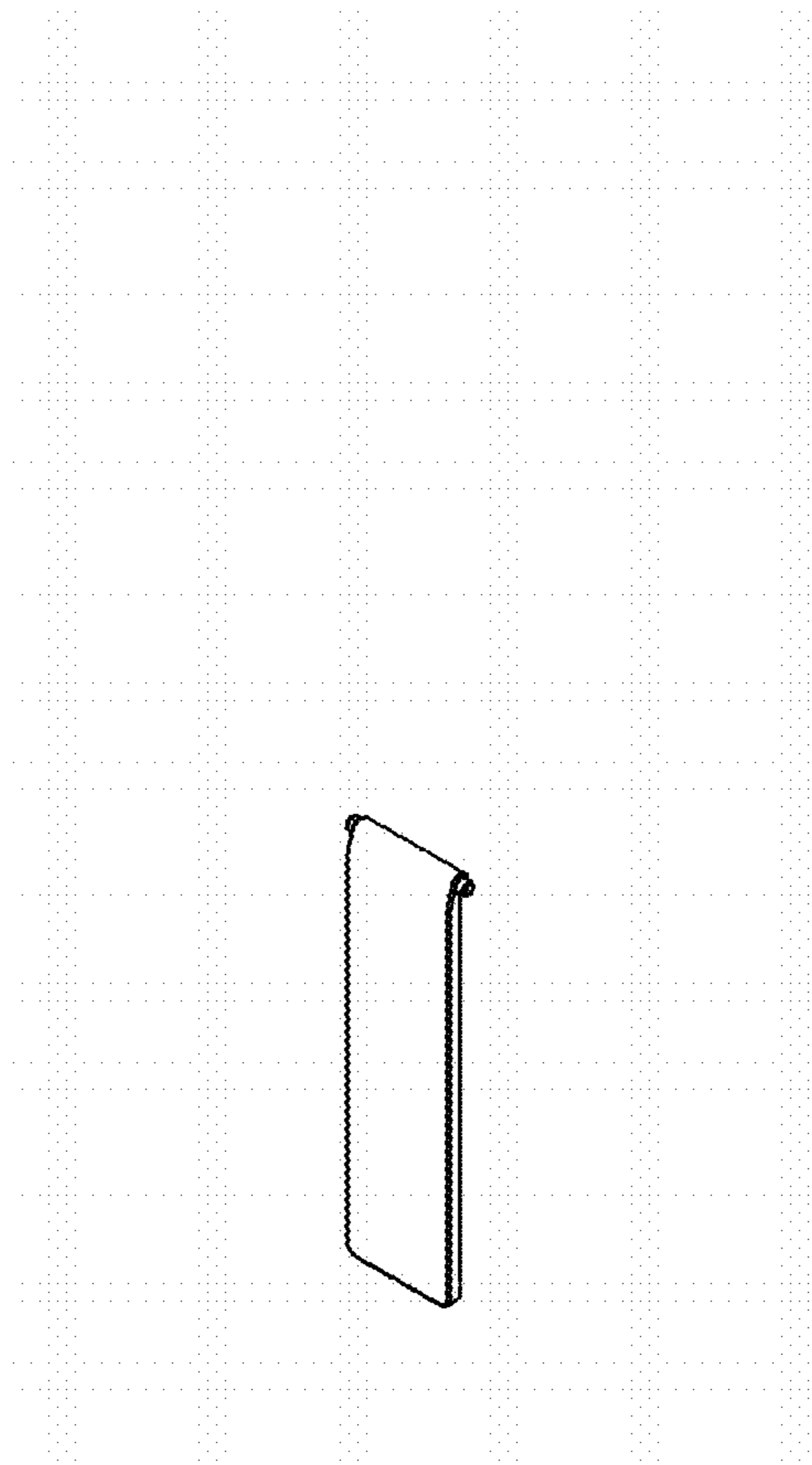


FIG. 15

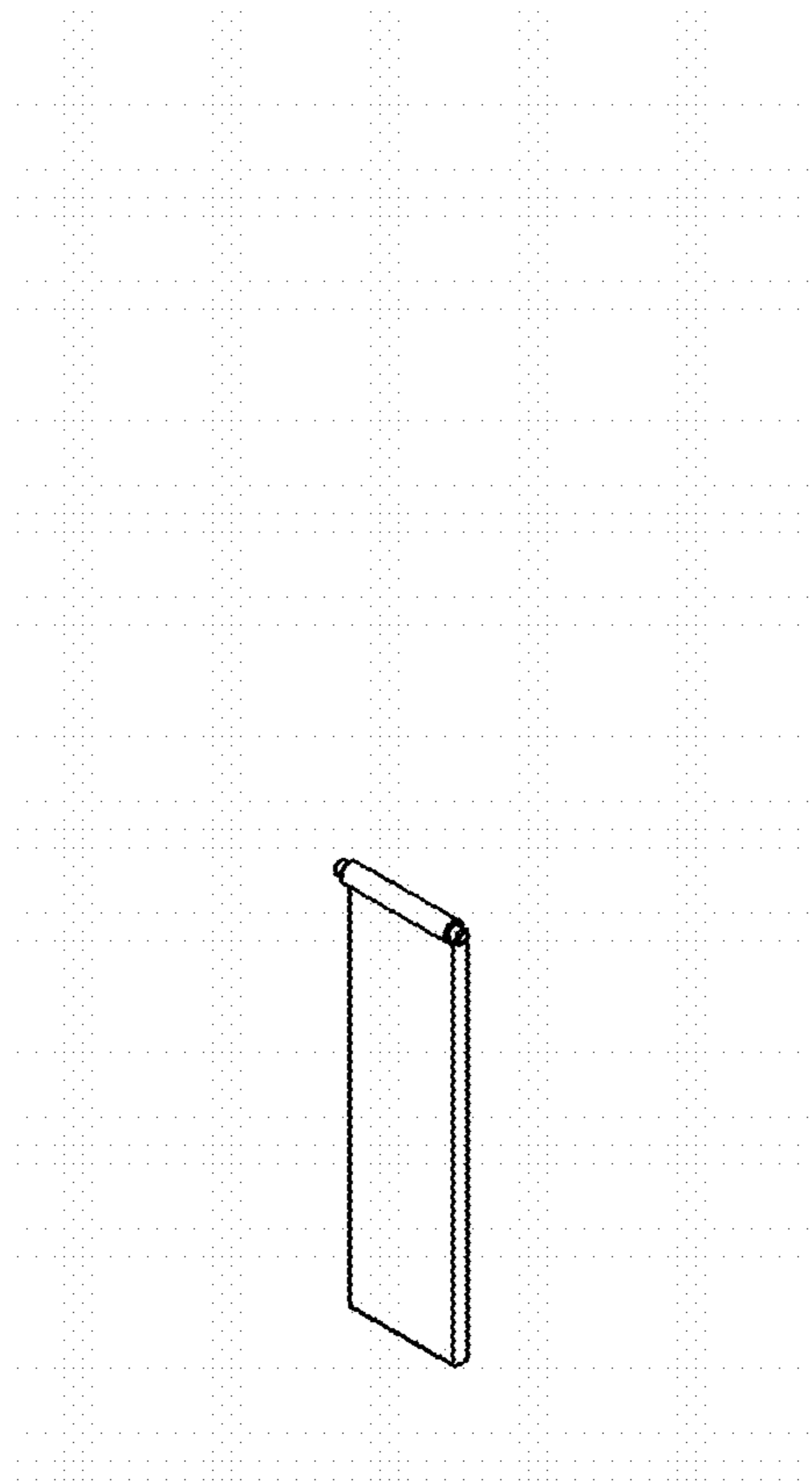


FIG. 16

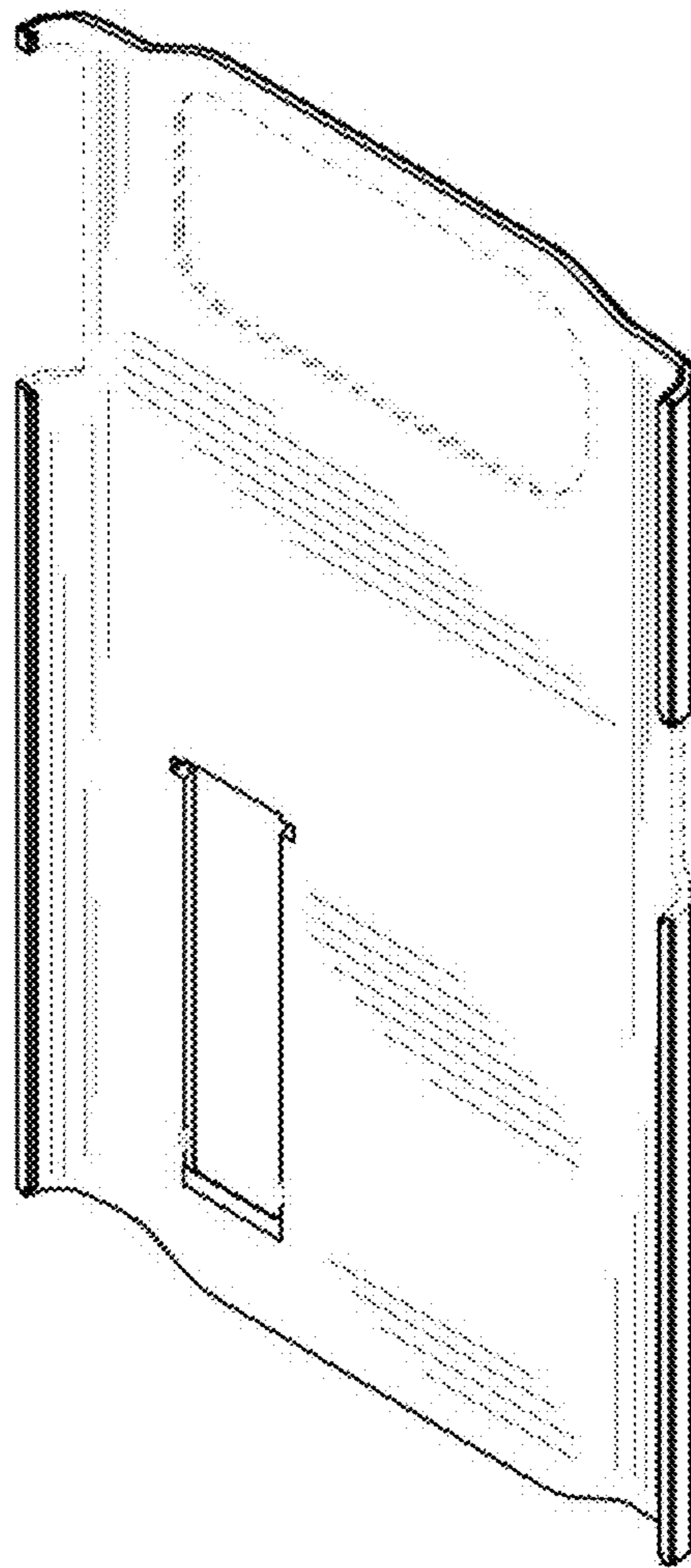


FIG. 17

