



US00D786842S

(12) **United States Design Patent**
Lee et al.

(10) **Patent No.:** **US D786,842 S**

(45) **Date of Patent:** **** May 16, 2017**

(54) **STAND FOR TELEVISION**

CPC ... G06F 1/1601; G06F 1/1643; H05K 5/0004;
H05K 5/0017; H05K 5/02; H05K 5/0217
See application file for complete search history.

(71) Applicant: **Samsung Electronics Co., Ltd.**,
Suwon-si (KR)

(56) **References Cited**

(72) Inventors: **Hyungsun Lee**, Yongin-si (KR);
Donggyun Ye, Seoul (KR); **Woojong Huh**,
Yongin-si (KR); **Jeasung Kim**,
Hwaseong-si (KR); **Sangyoung Lee**,
Anyang-si (KR); **Joonyoung Lee**, Seoul
(KR); **Heeseok Jeong**, Suwon-si (KR);
Kyuhyun Cho, Suwon-si (KR); **Shiyun Cho**,
Anyang-si (KR); **Younho Choi**,
Seoul (KR)

U.S. PATENT DOCUMENTS

D483,726 S * 12/2003 Teng D14/126
D499,907 S * 12/2004 Zarelius D6/708.23
D704,198 S * 5/2014 Kim D14/447
D722,068 S * 2/2015 Jung D14/447

(73) Assignee: **Samsung Electronics Co., Ltd.**,
Suwon-si (KR)

* cited by examiner

Primary Examiner — Randall Gholson
(74) *Attorney, Agent, or Firm* — NSIP Law

(**) Term: **15 Years**

(57) **CLAIM**

We claim the ornamental design for a stand for television, as shown and described.

(21) Appl. No.: **29/564,915**

DESCRIPTION

(22) Filed: **May 17, 2016**

(30) **Foreign Application Priority Data**

Nov. 18, 2015 (KR) 30-2015-0058003

(51) **LOC (10) Cl.** **14-03**

(52) **U.S. Cl.**
USPC **D14/239**; D14/126

(58) **Field of Classification Search**
USPC D14/125-134, 239, 371, 136, 374-377,
D14/440, 450, 448, 336, 342, 159;
312/7.2; 348/836, 838, 180, 184, 325,
348/739; 248/917-924, 465; 345/104,
345/133, 156, 168, 87, 173; D21/329,
D21/515, 577, 622, 333, 433, 448, 452,
D21/450, 331, 505; D10/15, 26;
446/484, 175, 356; D6/477, 479, 300;
D24/185; D34/14

FIG. 1 is a front perspective view of a stand for television showing our new design;
FIG. 2 is a front view thereof;
FIG. 3 is a rear view thereof;
FIG. 4 is a left-side view thereof;
FIG. 5 is a right-side view thereof;
FIG. 6 is a top view thereof;
FIG. 7 is a bottom view thereof;
FIG. 8 is an enlarged view of the encircled portion in FIG. 1; and,
FIG. 9 is a front perspective view of the stand for television in which a display is provided in broken lines to illustrate an example environment.
The broken lines in the figures show portions of the stand for television which form no part of the claimed design.
The dot-dash broken lines encircling portions of the claimed design that are illustrated in enlargements form no part of the claimed design.

1 Claim, 8 Drawing Sheets

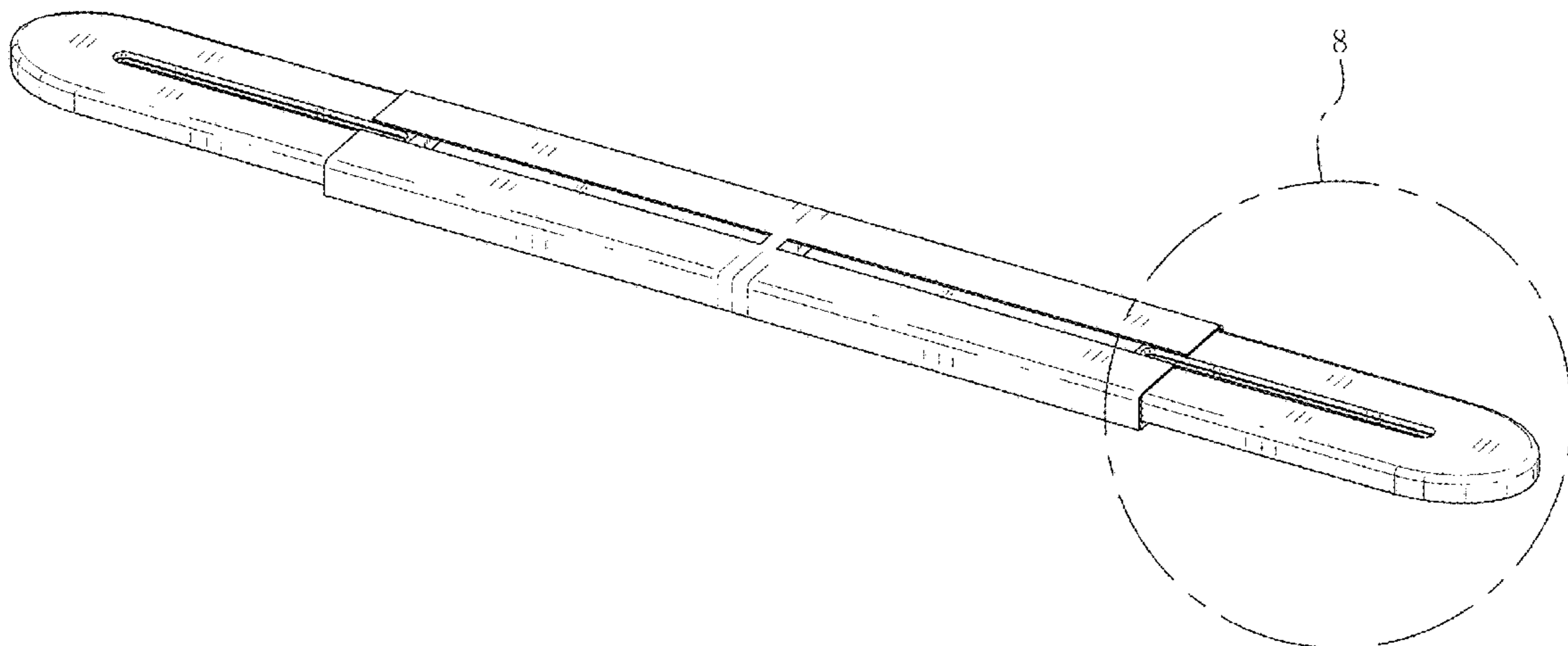


FIG. 1

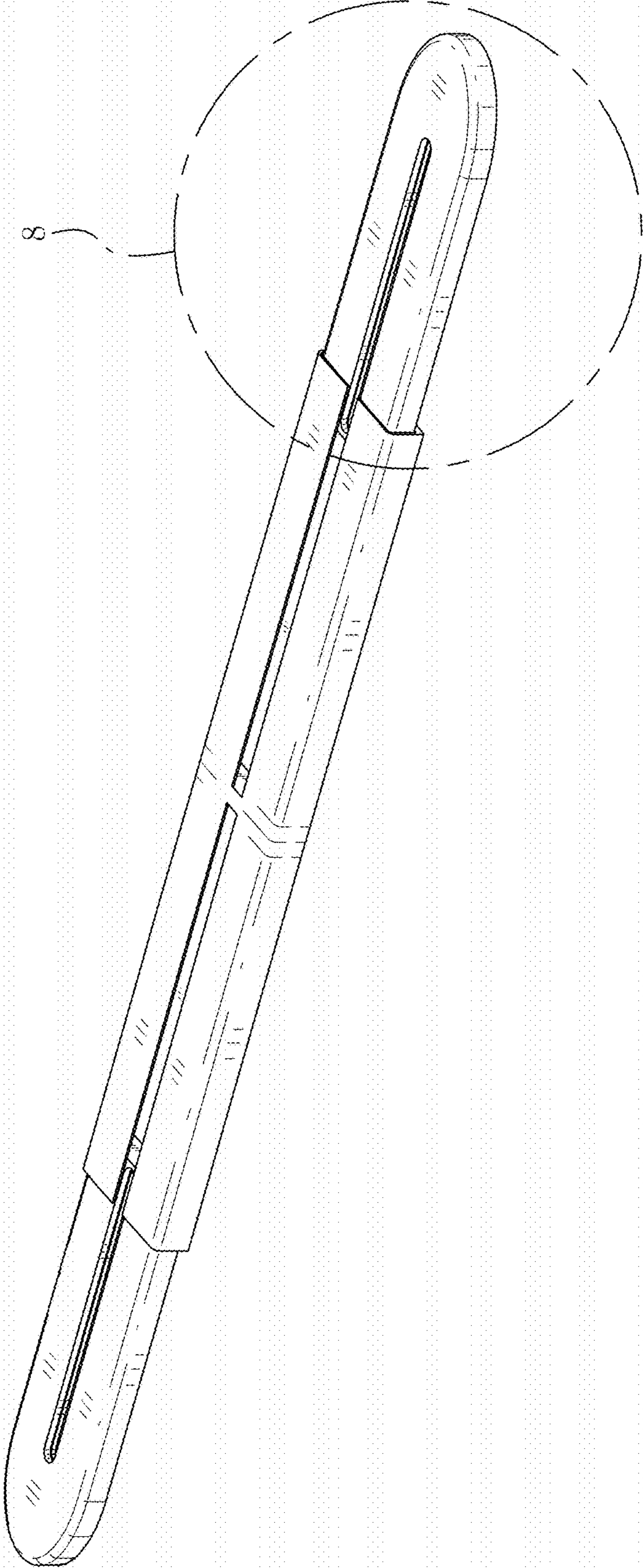


FIG. 2



FIG. 3

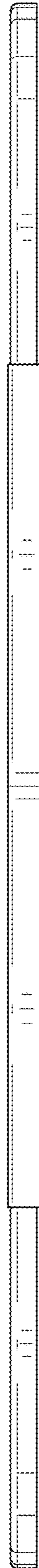


FIG. 4

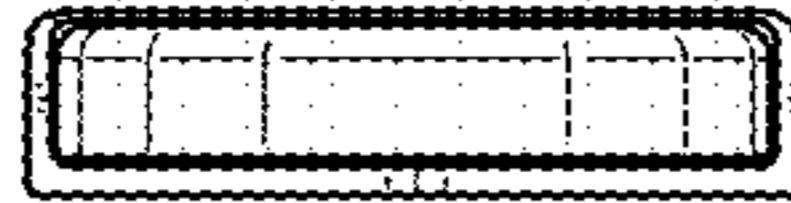


FIG. 5

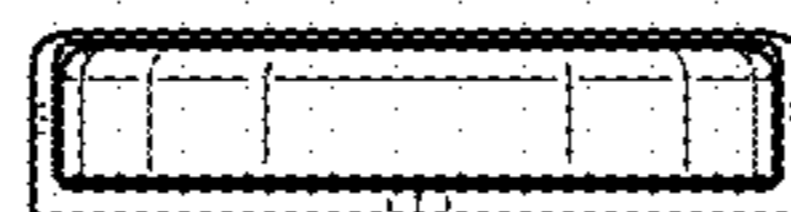


FIG. 6

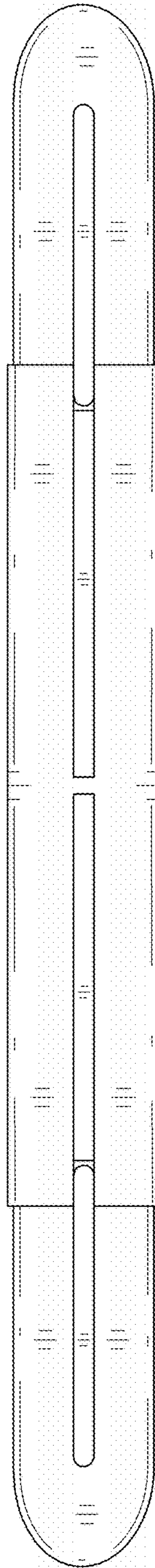


FIG. 7

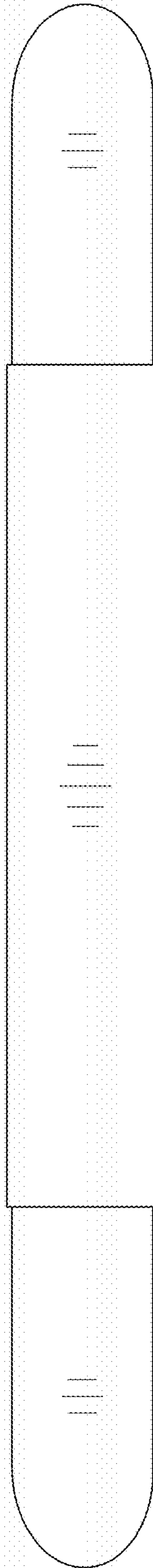


FIG. 8

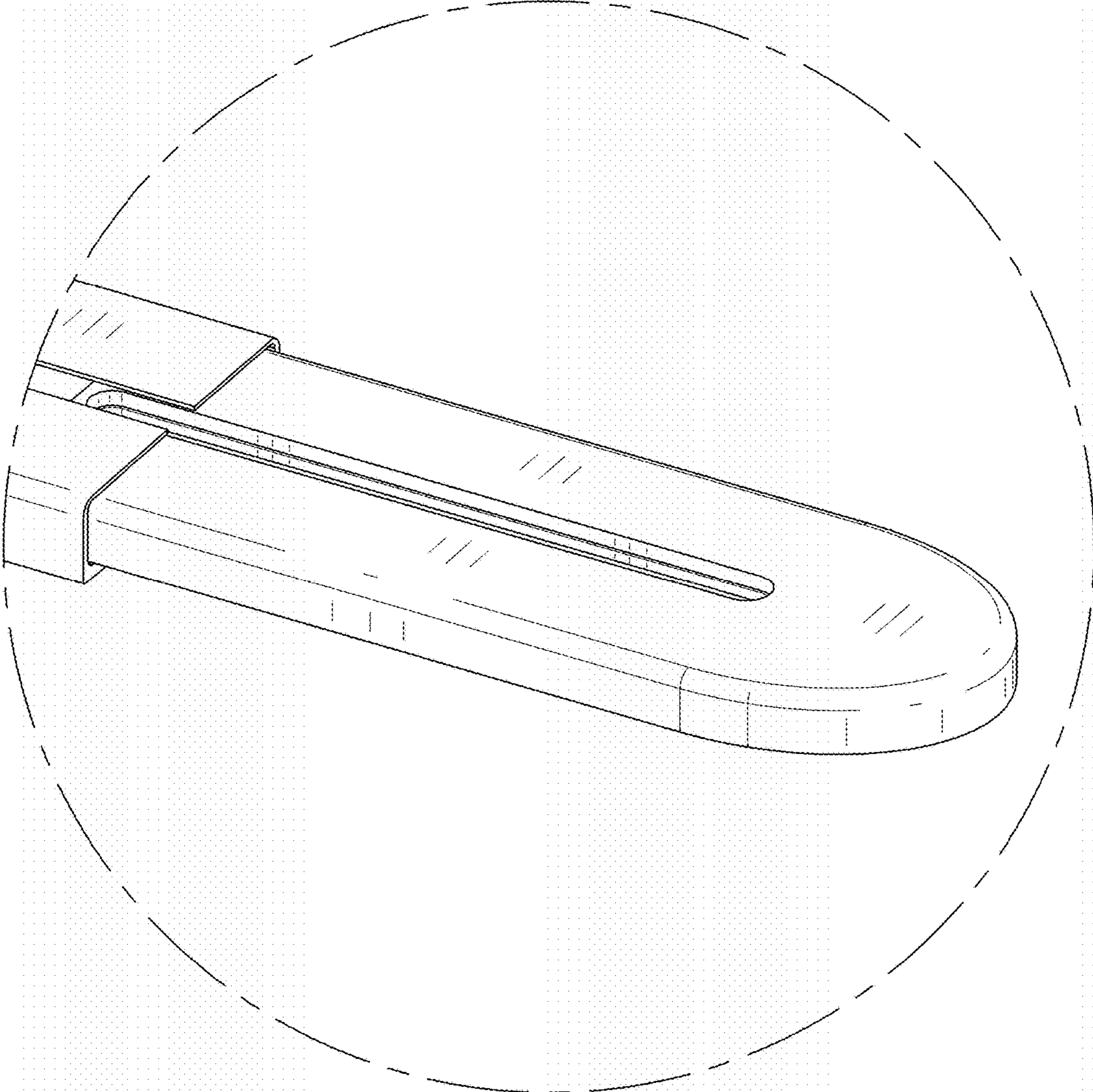


FIG. 9

