



US00D786841S

(12) **United States Design Patent**  
**Minn et al.**

(10) **Patent No.:** **US D786,841 S**  
(45) **Date of Patent:** **\*\* May 16, 2017**

(54) **APPARATUS FOR MOUNTING A PORTABLE ELECTRONIC DEVICE IN A VEHICLE**

(71) Applicant: **Kenu, Inc.**, San Francisco, CA (US)

(72) Inventors: **Kenneth Y. Minn**, San Francisco, CA (US); **David E. Yao**, San Francisco, CA (US); **Leonard John Duran**, Mill Valley, CA (US)

(73) Assignee: **Kenu, Inc.**, San Francisco, CA (US)

(\*\*) Term: **15 Years**

(21) Appl. No.: **29/563,391**

(22) Filed: **May 4, 2016**

(51) **LOC (10) Cl.** ..... **14-01**

(52) **U.S. Cl.**  
USPC ..... **D14/238.1**

(58) **Field of Classification Search**  
USPC ..... D14/432, 434, 447, 357, 299, 496, D14/203.1-203.8, 238.1; D21/324, 328, D21/332, 333; 361/600, 679-686, 361/679.55, 679.56; 320/114, 115; 345/156-161, 905, 901; 439/529, 534, 439/929; 248/127, 307, 309.1, 918, 248/176.1, 187.1, 126; 348/373, 376, 348/825, 836; 224/545, 547, 552, 555  
CPC ..... H05K 5/00; H05K 5/0204; H04N 5/64; G06F 1/1601; A45F 5/00; A45F 220/0516; A45F 2200/0508; A45F 220/0525; B60R 7/06; B60R 11/0241; B60R 2011/0005; B60R 2011/0294  
See application file for complete search history.

(56) **References Cited**

**U.S. PATENT DOCUMENTS**

5,673,628 A \* 10/1997 Boos ..... B60N 3/001  
108/138  
6,166,533 A \* 12/2000 Musha ..... G01R 23/173  
324/76.22

6,186,459 B1 \* 2/2001 Ma ..... B60R 11/0235  
224/311  
7,296,771 B2 \* 11/2007 Kalis ..... B60R 11/0258  
248/205.5  
7,360,833 B2 \* 4/2008 Vitito ..... B60K 35/00  
297/217.3  
D609,030 S \* 2/2010 Barabas ..... D14/238  
D618,692 S \* 6/2010 Deutsch ..... D14/238.1  
D654,054 S \* 2/2012 Kohte ..... F16M 11/041  
D14/217  
D655,692 S \* 3/2012 Silverman ..... D14/217  
8,561,863 B2 10/2013 LaColla et al.  
D710,340 S \* 8/2014 Wengreen ..... D14/238.1  
9,010,597 B2 4/2015 Prescott et al.  
(Continued)

**FOREIGN PATENT DOCUMENTS**

WO 2014161022 A1 10/2014

*Primary Examiner* — Prabhakar Deshmukh

(74) *Attorney, Agent, or Firm* — Vierra Magen Marcus LLP

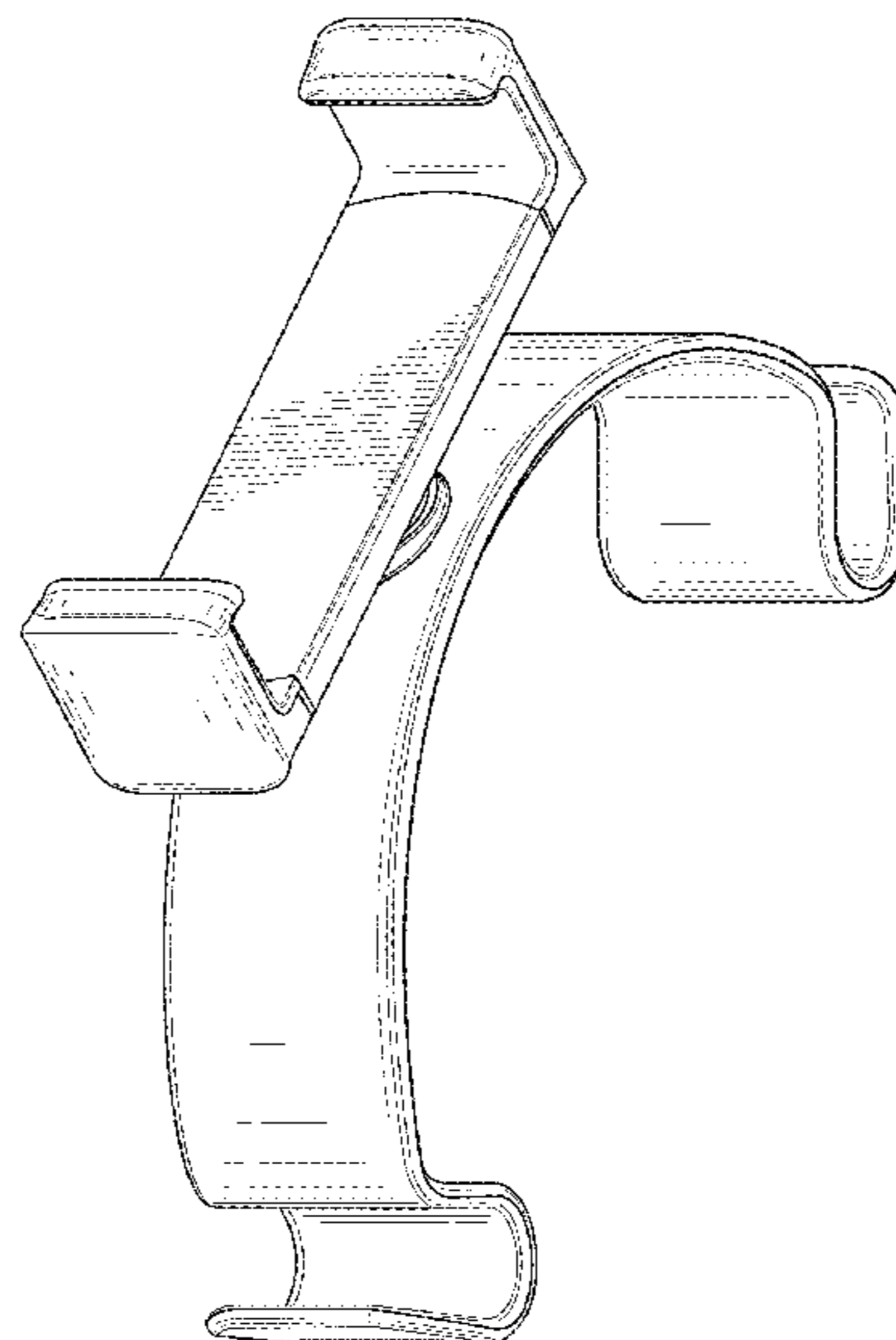
(57) **CLAIM**

The ornamental design for an apparatus for mounting a portable electronic device in a vehicle, as shown and described.

**DESCRIPTION**

FIG. 1 is a front perspective view of an apparatus for mounting a portable electronic device in a vehicle showing our new design;  
FIG. 2 is a rear perspective view thereof;  
FIG. 3 is a front view thereof;  
FIG. 4 is a rear view thereof;  
FIG. 5 is a left side view thereof;  
FIG. 6 is a right side view thereof;  
FIG. 7 is a top view thereof; and,  
FIG. 8 is a bottom view thereof.

**1 Claim, 8 Drawing Sheets**



(56)

**References Cited**

U.S. PATENT DOCUMENTS

D734,305 S \* 7/2015 Wengreen ..... D14/238  
9,080,714 B2 7/2015 Minn et al.  
9,103,487 B2 8/2015 Hale et al.  
9,150,164 B2 10/2015 Mitchell  
D765,064 S \* 8/2016 Wengreen ..... D14/238.1  
2014/0077576 A1 3/2014 Brawner

\* cited by examiner

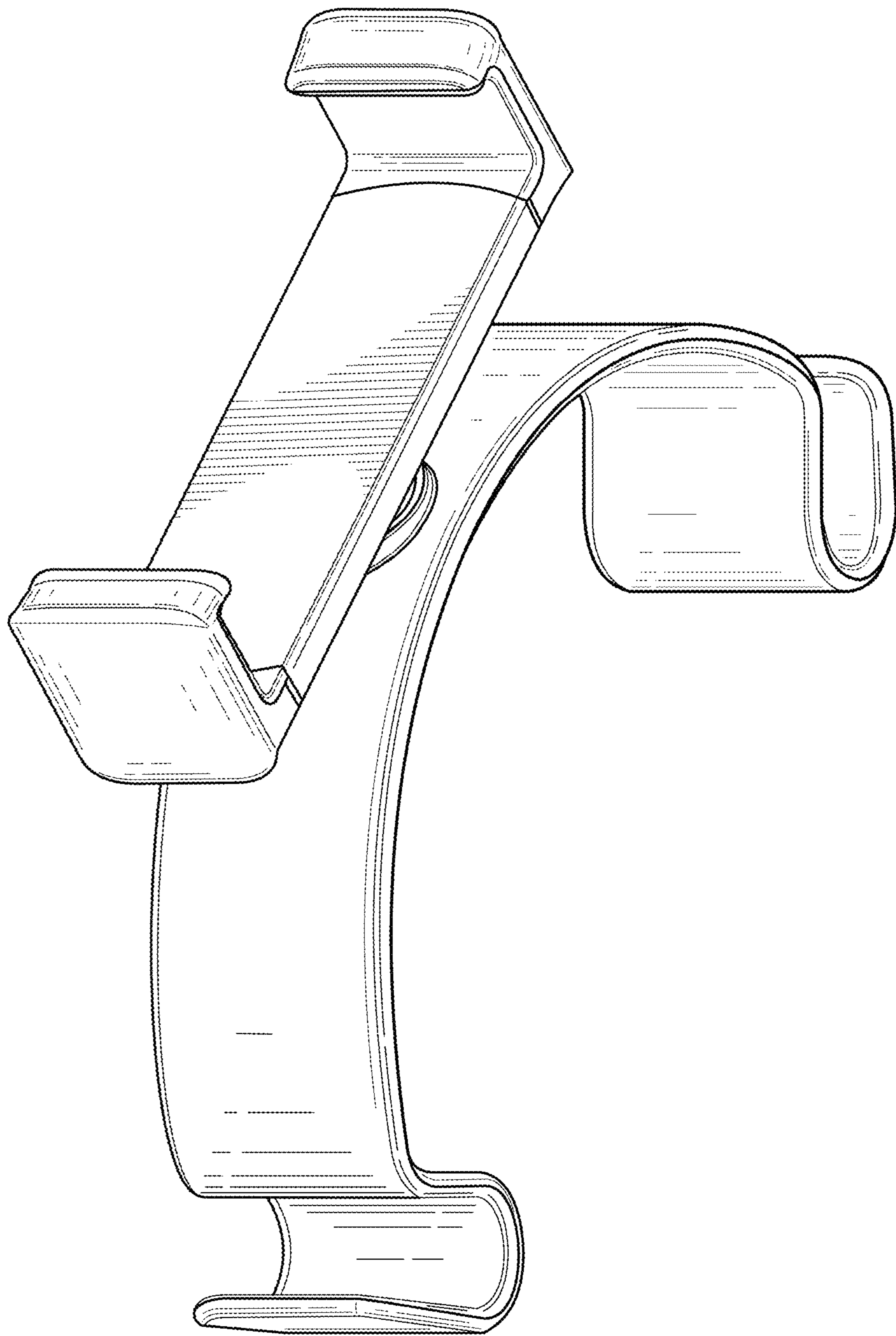


FIG. 1

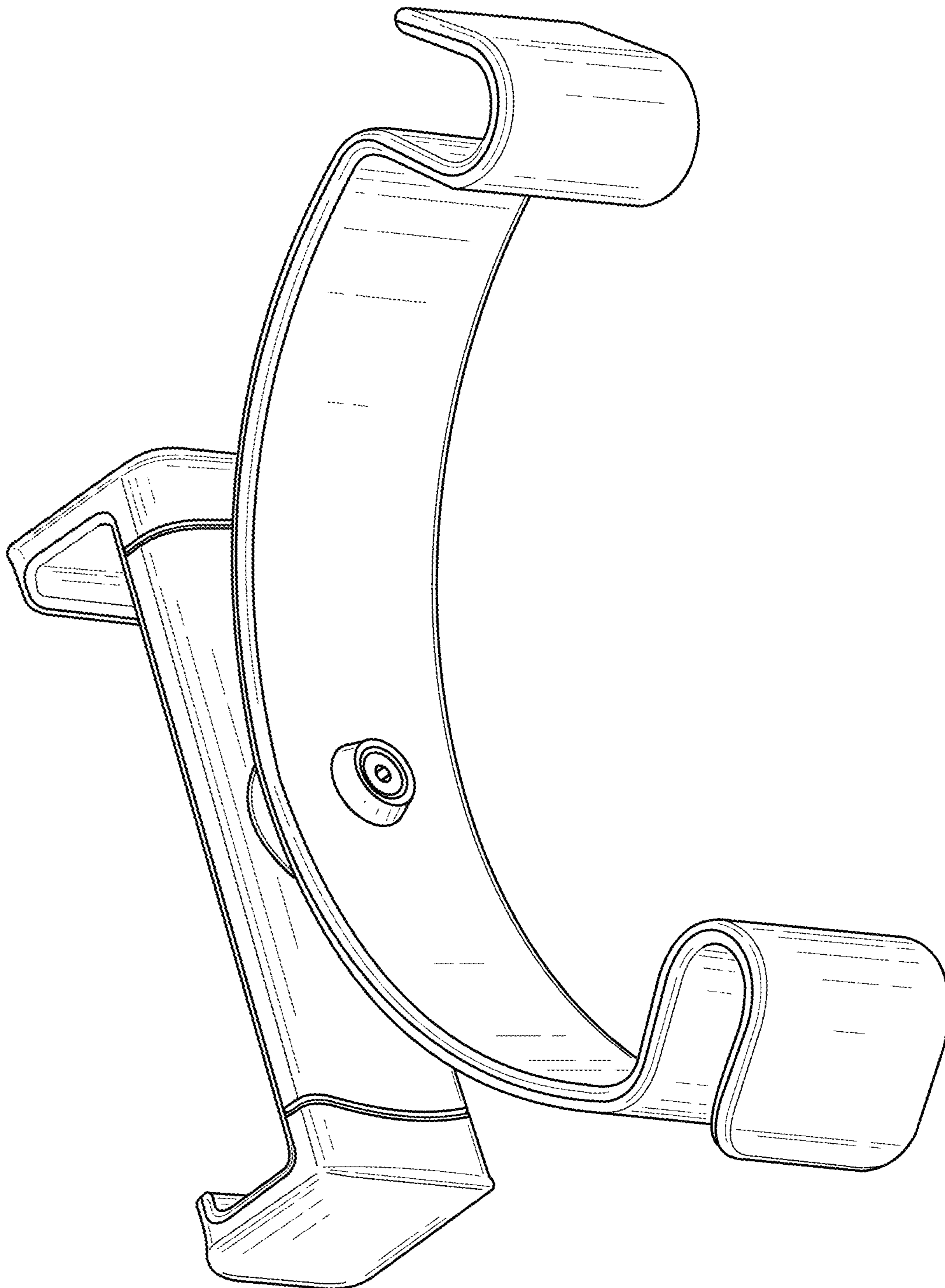
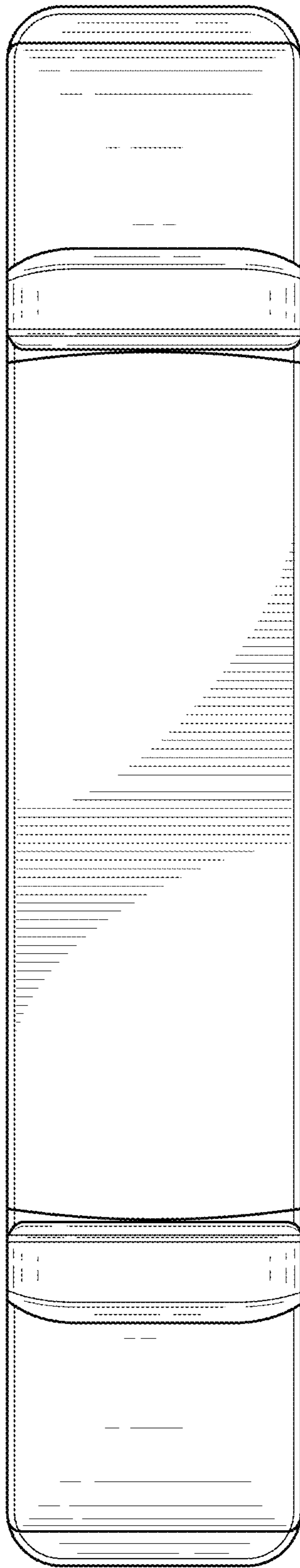
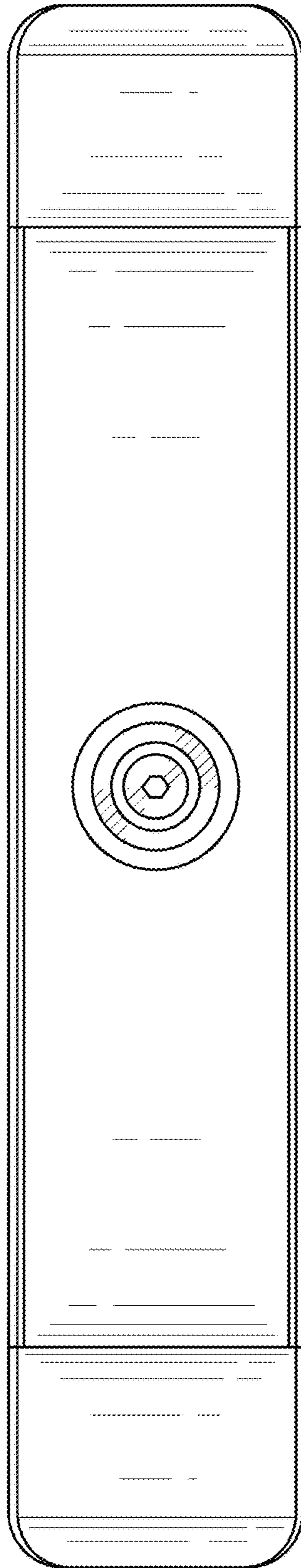


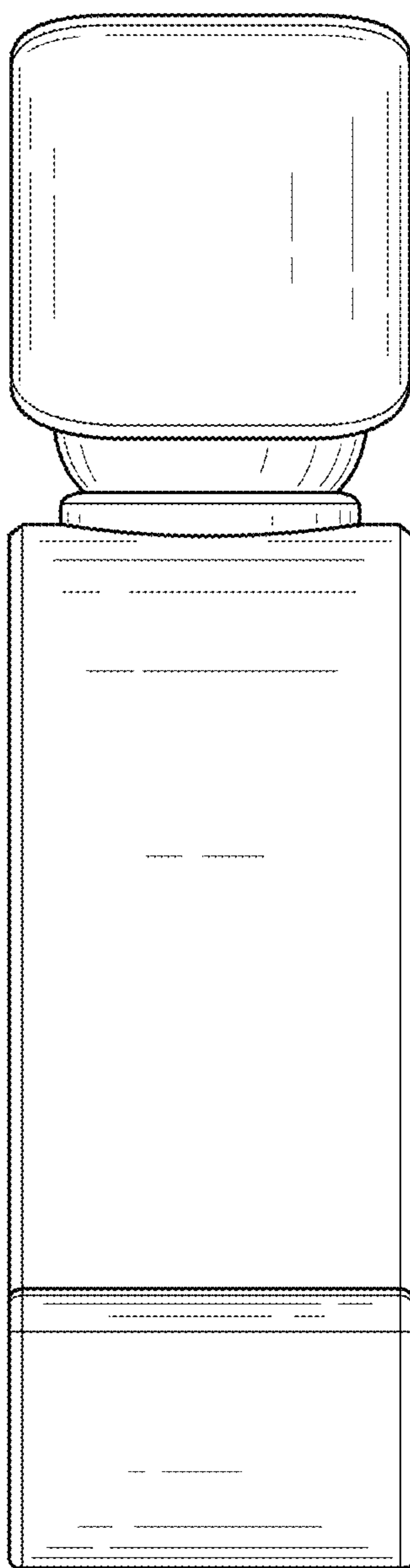
FIG. 2



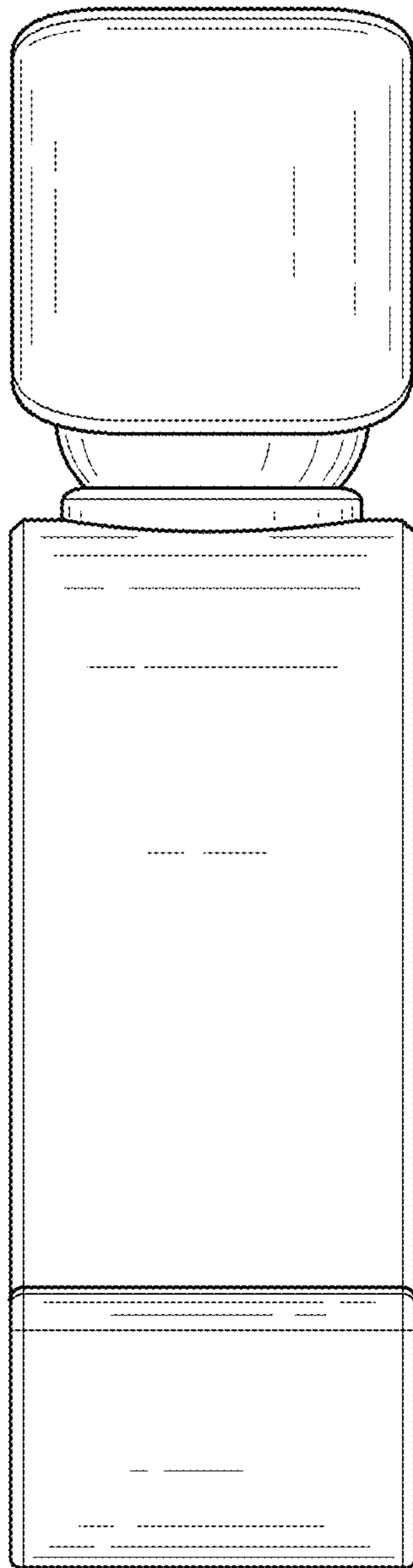
**FIG. 3**



**FIG. 4**



**FIG. 5**



**FIG. 6**



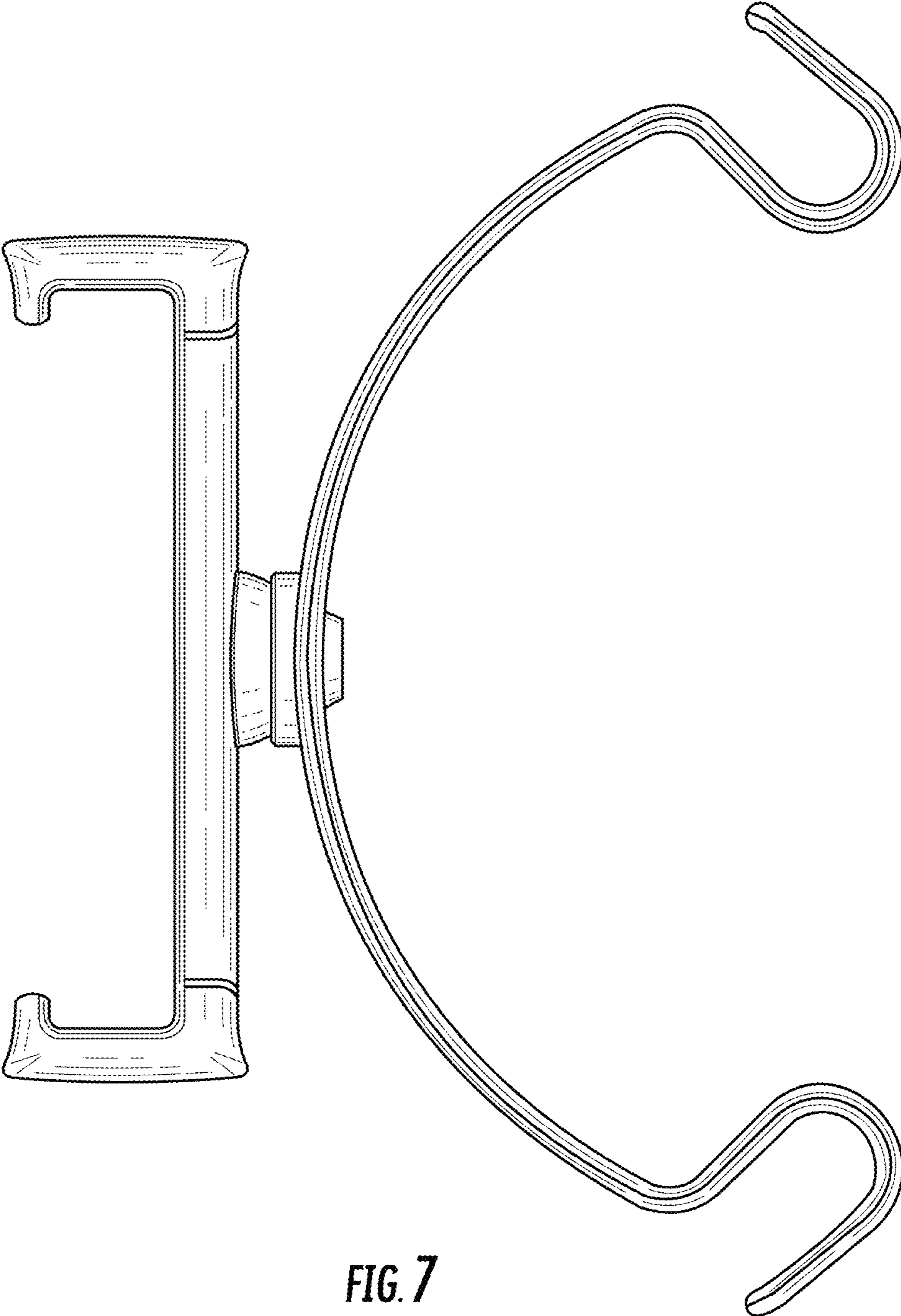


FIG. 7

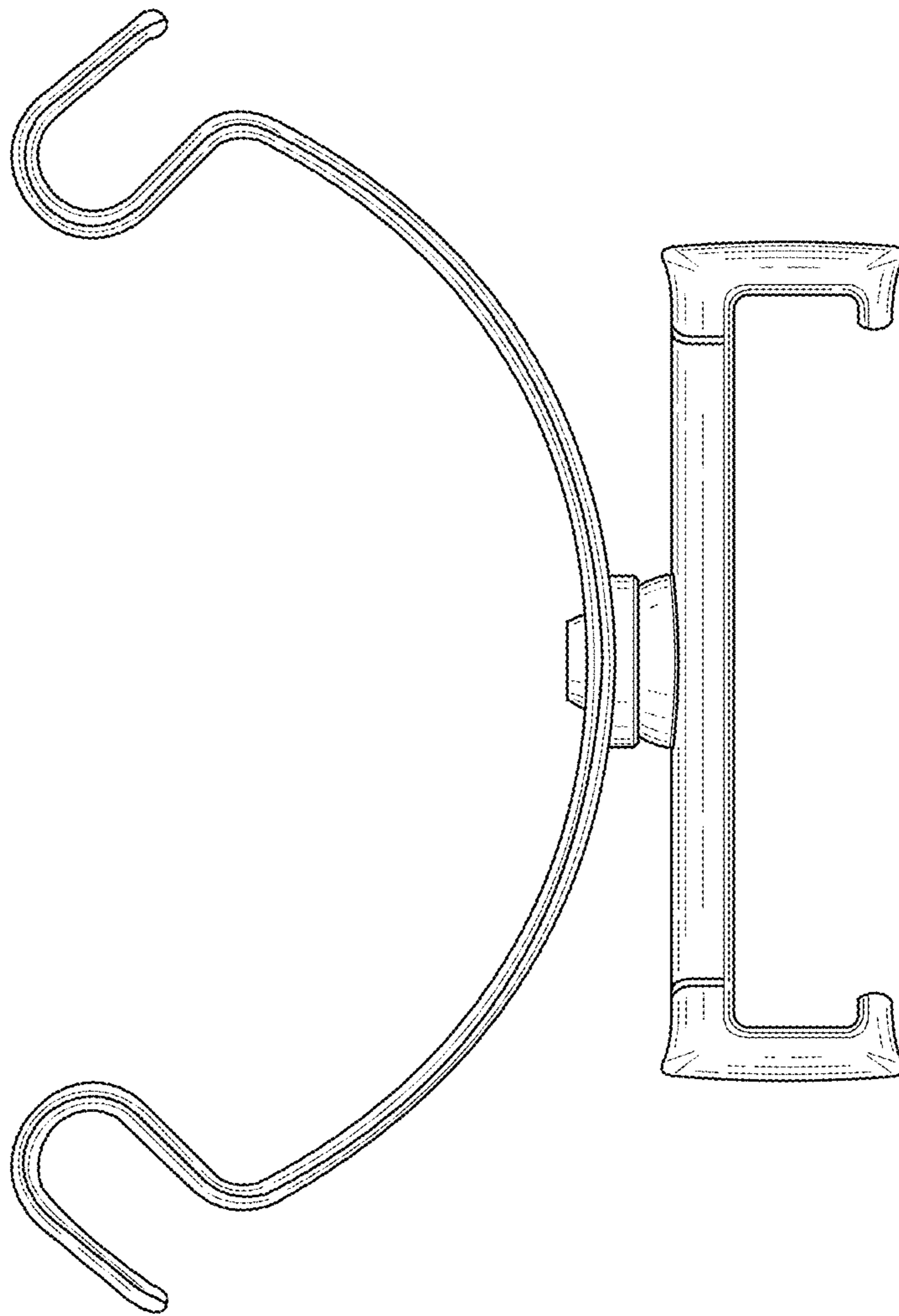


FIG. 8