



US00D786840S

(12) **United States Design Patent** (10) **Patent No.:** **US D786,840 S**
He et al. (45) **Date of Patent:** **** May 16, 2017**

(54) **ANTENNA**
(71) Applicant: **Airgain Incorporated**, San Diego, CA (US)
(72) Inventors: **Ziming He**, Irvine, CA (US); **Simon Yang**, Carlsbad, CA (US)
(73) Assignee: **Airgrain Incorporated**, San Diego, CA (US)
(**) Term: **15 Years**
(21) Appl. No.: **29/555,958**
(22) Filed: **Feb. 25, 2016**
(51) **LOC (10) Cl.** **14-03**
(52) **U.S. Cl.**
USPC **D14/230**
(58) **Field of Classification Search**
USPC D14/138, 230-238.1, 299, 358; D13/182
CPC H01L 33/48; H01L 33/486; H01L 23/02;
H05K 5/00; H01Q 13/10
See application file for complete search history.

(56) **References Cited**

U.S. PATENT DOCUMENTS

7,061,437 B2	6/2006	Lin et al.	
7,148,849 B2	12/2006	Lin	
7,215,296 B2	5/2007	Abramov et al.	
D546,821 S	7/2007	Oliver	
D549,696 S	8/2007	Oshima et al.	
7,333,067 B2	2/2008	Hung et al.	
7,336,959 B2	2/2008	Khitrik et al.	
D573,589 S	7/2008	Montgomery et al.	
7,405,704 B1	7/2008	Lin et al.	
7,477,195 B2	1/2009	Vance	
D588,115 S *	3/2009	Yoshioka	D14/230
D592,195 S *	5/2009	Wu	D14/230
7,570,215 B2	8/2009	Abramov et al.	

(Continued)

OTHER PUBLICATIONS

<http://airgain.com/our-services/embedded-antennas/>—Retrieved Jan. 4, 2017.*

https://www.alibaba.com/product-detail/FPC-PCB-WIFI-antenna-2-4Ghz_60279271947.html—Retrieved Jan. 12, 2017.*

Primary Examiner — Manpreet Matharu
Assistant Examiner — Mojtaba Tehrani
(74) *Attorney, Agent, or Firm* — Clause Eight IPS; Michael Catania

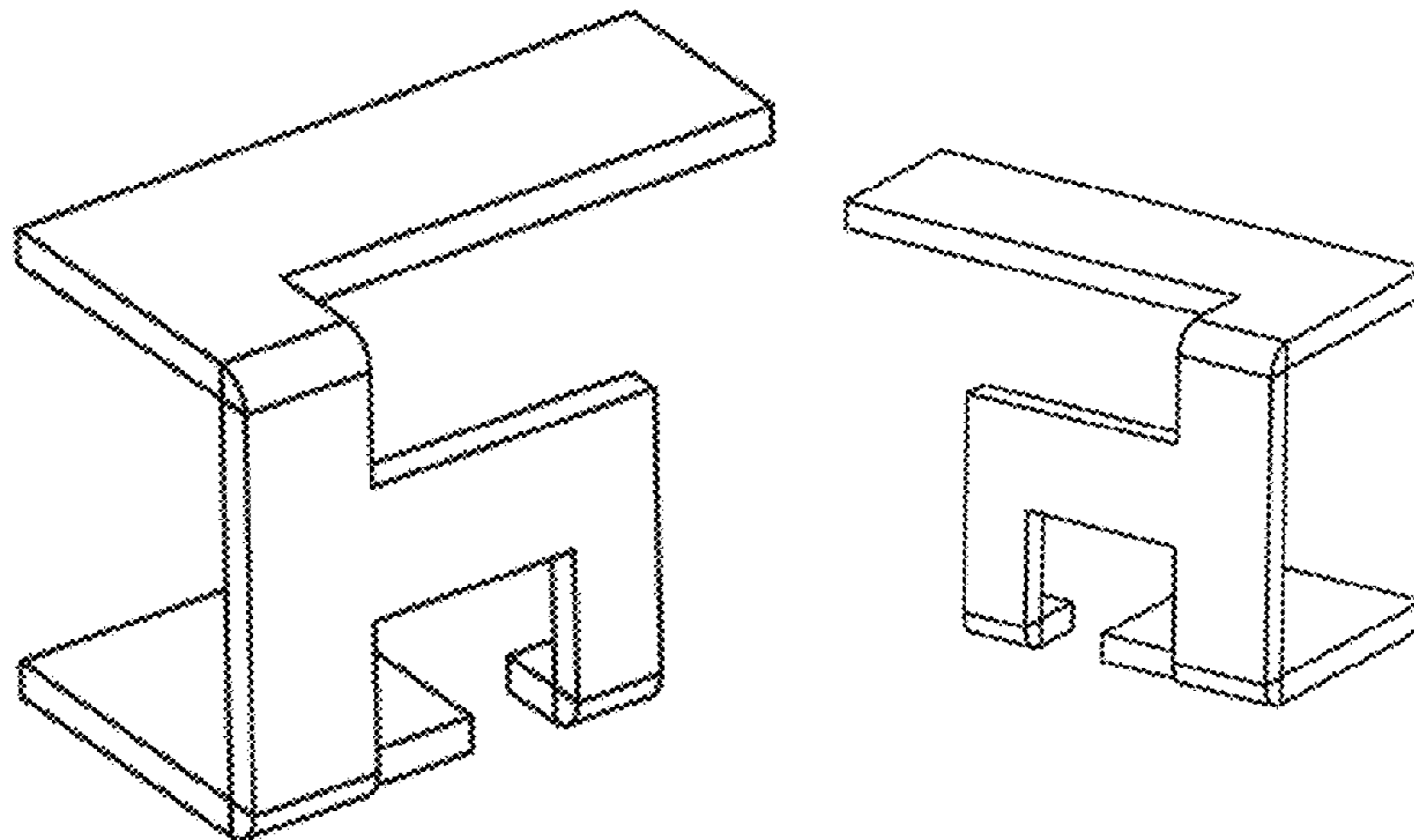
(57) **CLAIM**

The ornamental design for an antenna, as shown and described.

DESCRIPTION

FIG. 1 is a top perspective view of the first embodiment of an antenna, showing our new design; FIG. 2 is a top plan view thereof; FIG. 3 is a front elevation view thereof; FIG. 4 is a bottom plan view thereof; FIG. 5 is a side elevation view thereof; FIG. 6 is a top perspective view of the second embodiment of an antenna; FIG. 7 is a top plan view thereof; FIG. 8 is a front elevation view thereof; FIG. 9 is a bottom plan view thereof; FIG. 10 is a side elevation view thereof; FIG. 11 is a top perspective view of the third embodiment of an antenna; FIG. 12 is a top plan view thereof; FIG. 13 is a front elevation view thereof; FIG. 14 is a bottom plan view thereof; FIG. 15 is a side elevation view thereof; FIG. 16 is a top perspective view of the fourth embodiment of an antenna; FIG. 17 is a top plan view thereof; FIG. 18 is a front elevation view thereof; FIG. 19 is a bottom plan view thereof; and, FIG. 20 is a side elevation view thereof.

1 Claim, 8 Drawing Sheets



(56)

References Cited

U.S. PATENT DOCUMENTS

D599,334 S	9/2009	Chiang		D689,474 S	9/2013	Yang et al.	
7,589,679 B2 *	9/2009	Shih	H01Q 1/243 343/700 MS	D692,870 S	11/2013	He	
D606,053 S	12/2009	Wu et al.		D694,738 S	12/2013	Yang	
D607,442 S	1/2010	Su et al.		D695,279 S	12/2013	Yang et al.	
D608,769 S	1/2010	Bufe		D695,280 S	12/2013	Yang et al.	
D612,368 S	3/2010	Yang et al.		D703,195 S	4/2014	Zheng	
7,705,783 B2	4/2010	Rao et al.		D703,196 S	4/2014	Zheng	
7,729,662 B2	6/2010	Abramov et al.		D706,247 S	6/2014	Zheng et al.	
D621,819 S	8/2010	Tsai et al.		D706,750 S	6/2014	Bringuir	
7,843,390 B2	11/2010	Liu		D706,751 S	6/2014	Chang et al.	
D633,483 S	3/2011	Su et al.		D707,665 S *	6/2014	Chu	D14/230
D635,127 S	3/2011	Tsai et al.		D708,602 S	7/2014	Gosalia et al.	
7,907,971 B2	3/2011	Salo et al.		D709,053 S	7/2014	Chang et al.	
D635,560 S	4/2011	Tsai et al.		D710,832 S	8/2014	Yang	
D635,963 S	4/2011	Poddaturi		D710,833 S	8/2014	Zheng et al.	
D635,964 S	4/2011	Poddaturi		8,854,265 B1	10/2014	Yang et al.	
D635,965 S	4/2011	Mi et al.		D716,775 S	11/2014	Bidermann	
D636,382 S	4/2011	Poddaturi		9,130,261 B2 *	9/2015	Chang	H01Q 9/0421
7,965,242 B2	6/2011	Abramov et al.		D765,062 S *	8/2016	Zheng	D14/230
D649,534 S *	11/2011	Mi	D14/230	D768,116 S *	10/2016	Zheng	D14/230
D649,962 S	12/2011	Tseng et al.		2002/0003499 A1	1/2002	Kouam et al.	
D651,198 S	12/2011	Mi et al.		2004/0222936 A1	11/2004	Hung et al.	
D654,059 S	2/2012	Mi et al.		2005/0073462 A1	4/2005	Lin et al.	
D654,060 S	2/2012	Ko et al.		2005/0190108 A1	9/2005	Lin et al.	
D658,639 S	5/2012	Huang et al.		2005/0259024 A1 *	11/2005	Hung	H01Q 1/36 343/770
D659,129 S	5/2012	Mi et al.		2006/0208900 A1	9/2006	Tavassoli Hozouri	
D659,685 S	5/2012	Huang et al.		2007/0030203 A1	2/2007	Tsai et al.	
D659,688 S	5/2012	Huang et al.		2008/0150829 A1	6/2008	Lin et al.	
8,175,036 B2	5/2012	Visuri et al.		2009/0002244 A1	1/2009	Woo	
8,184,601 B2	5/2012	Abramov et al.		2009/0058739 A1	3/2009	Konishi	
D662,916 S	7/2012	Huang et al.		2009/0135072 A1	5/2009	Ke et al.	
8,248,970 B2	8/2012	Abramov et al.		2009/0262028 A1	10/2009	Mumbru et al.	
D671,097 S	11/2012	Mi et al.		2010/0171664 A1 *	7/2010	Yang	H01Q 1/2266 343/700 MS
8,310,402 B2	11/2012	Yang		2010/0188297 A1	7/2010	Chen et al.	
D676,429 S	2/2013	Gosalia et al.		2010/0309067 A1	12/2010	Tsou et al.	
D678,255 S	3/2013	Ko et al.		2011/0006950 A1	1/2011	Park et al.	
8,423,084 B2	4/2013	Abramov et al.		2012/0038514 A1	2/2012	Bang	
D684,565 S	6/2013	Wei		2012/0074456 A1 *	3/2012	Jin	H01L 33/62 257/99
D685,352 S	7/2013	Wei		2012/0229348 A1	9/2012	Chiang	
D685,772 S	7/2013	Zheng et al.		2012/0242546 A1	9/2012	Hu et al.	
D686,600 S	7/2013	Yang					

* cited by examiner

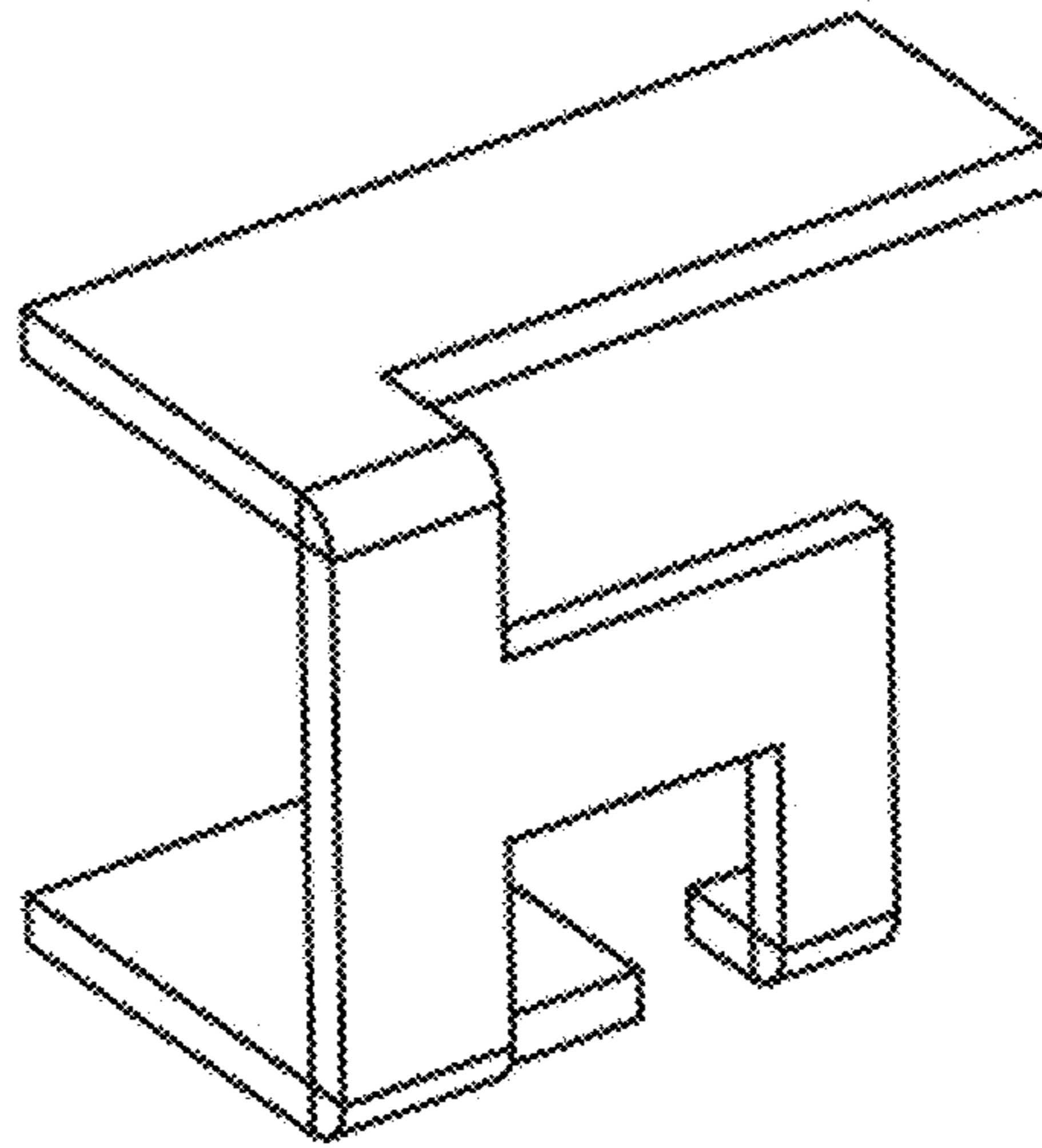


FIG. 1

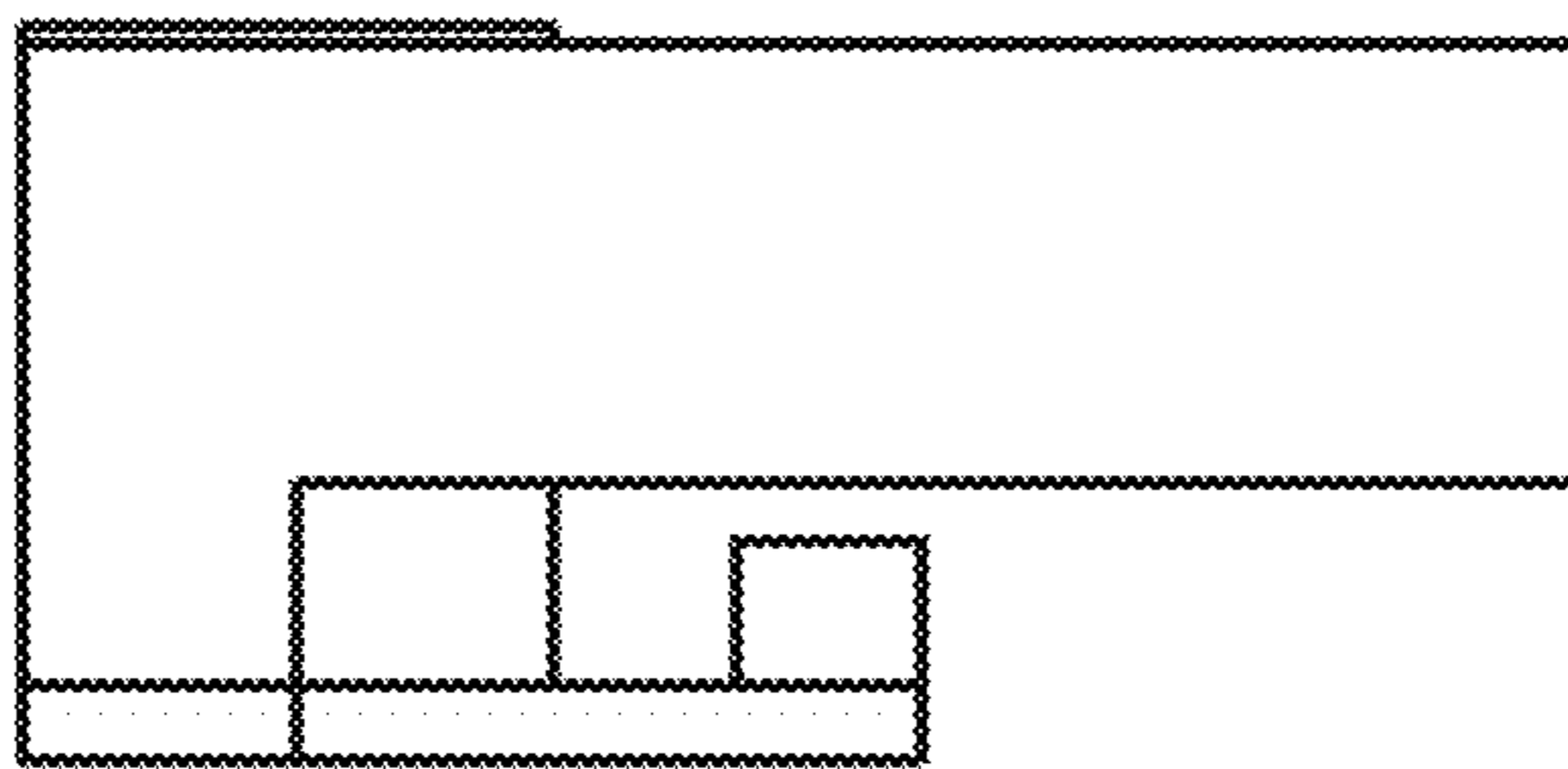


FIG. 2

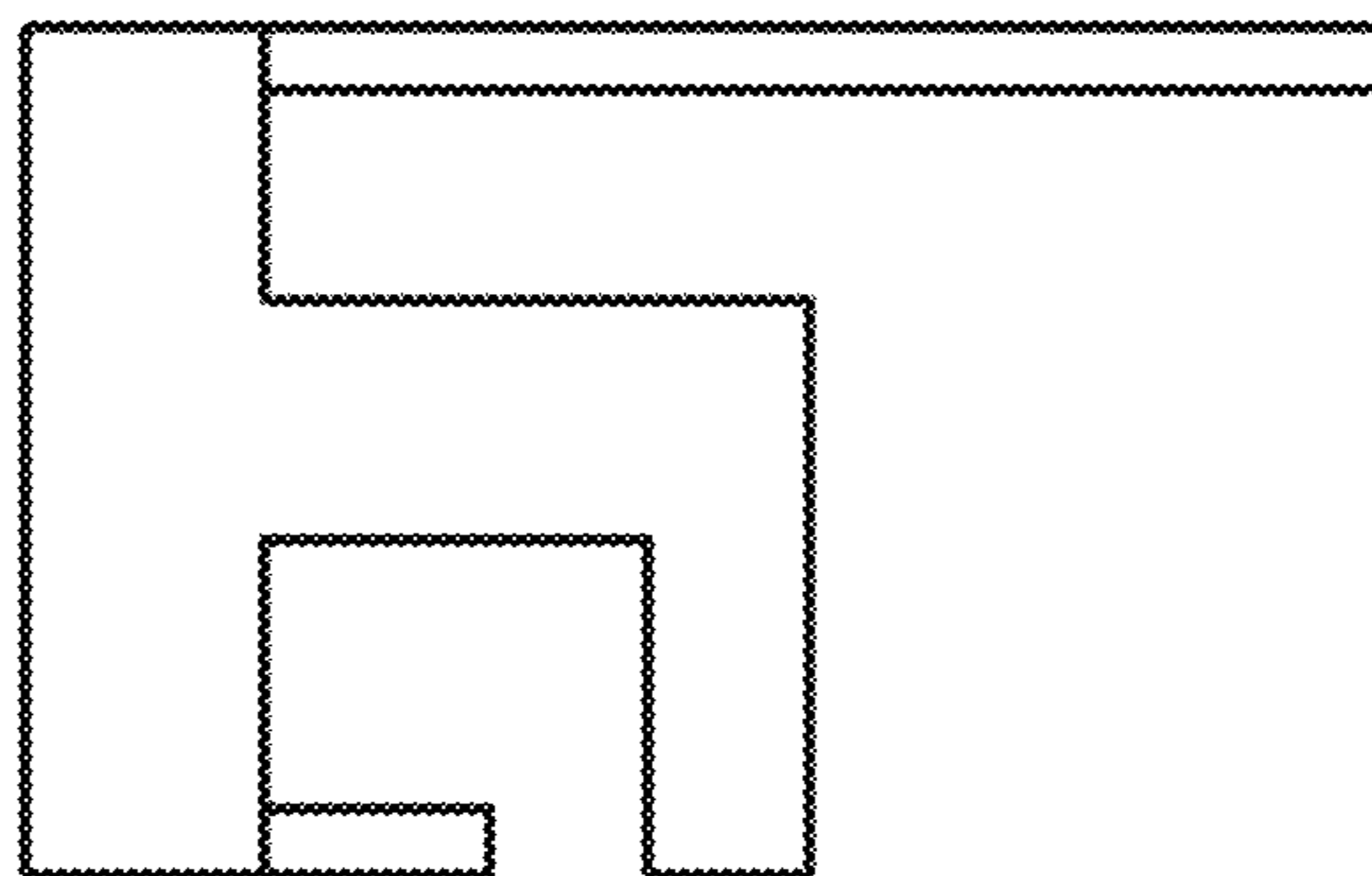


FIG. 3

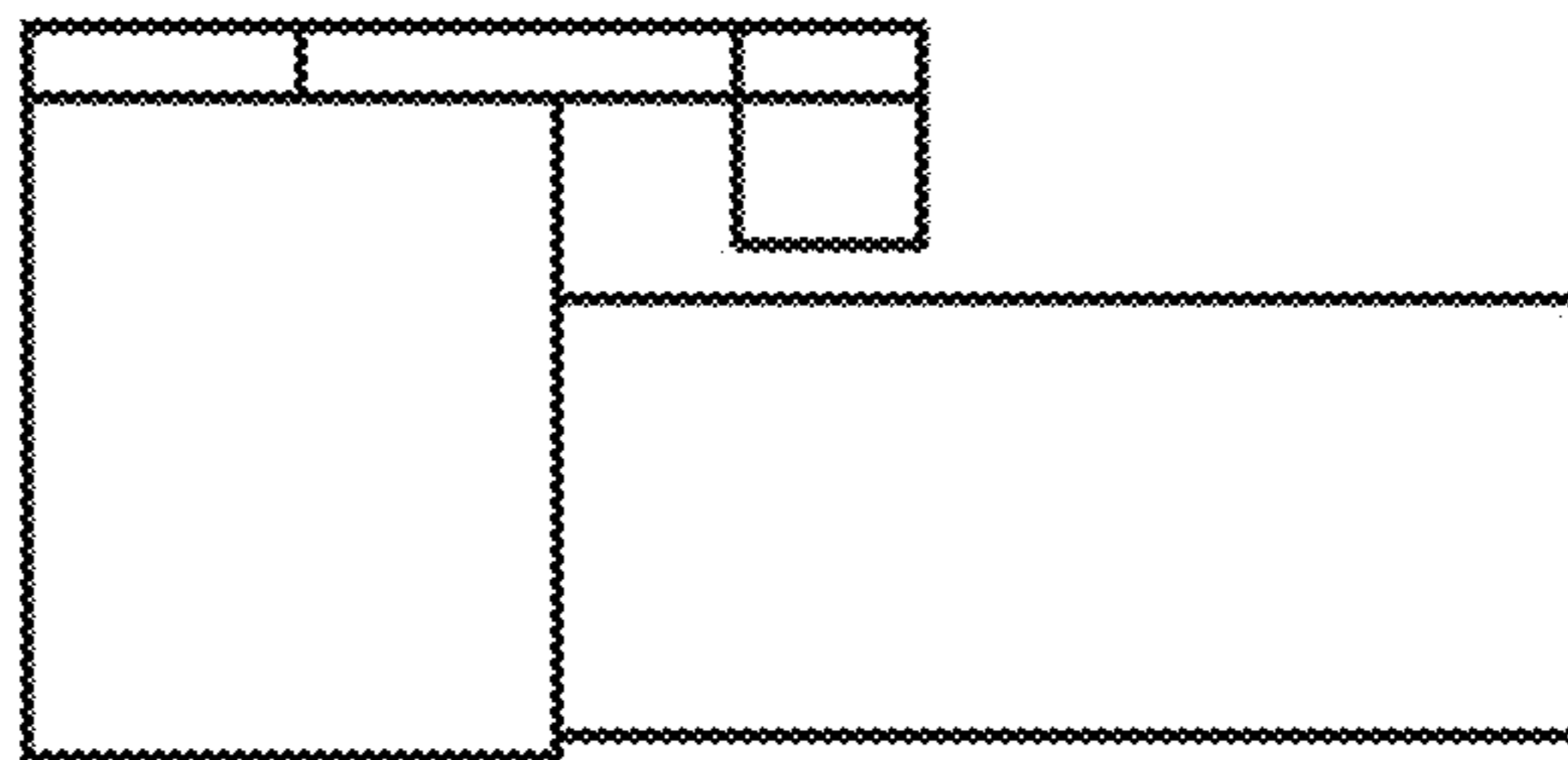


FIG. 4

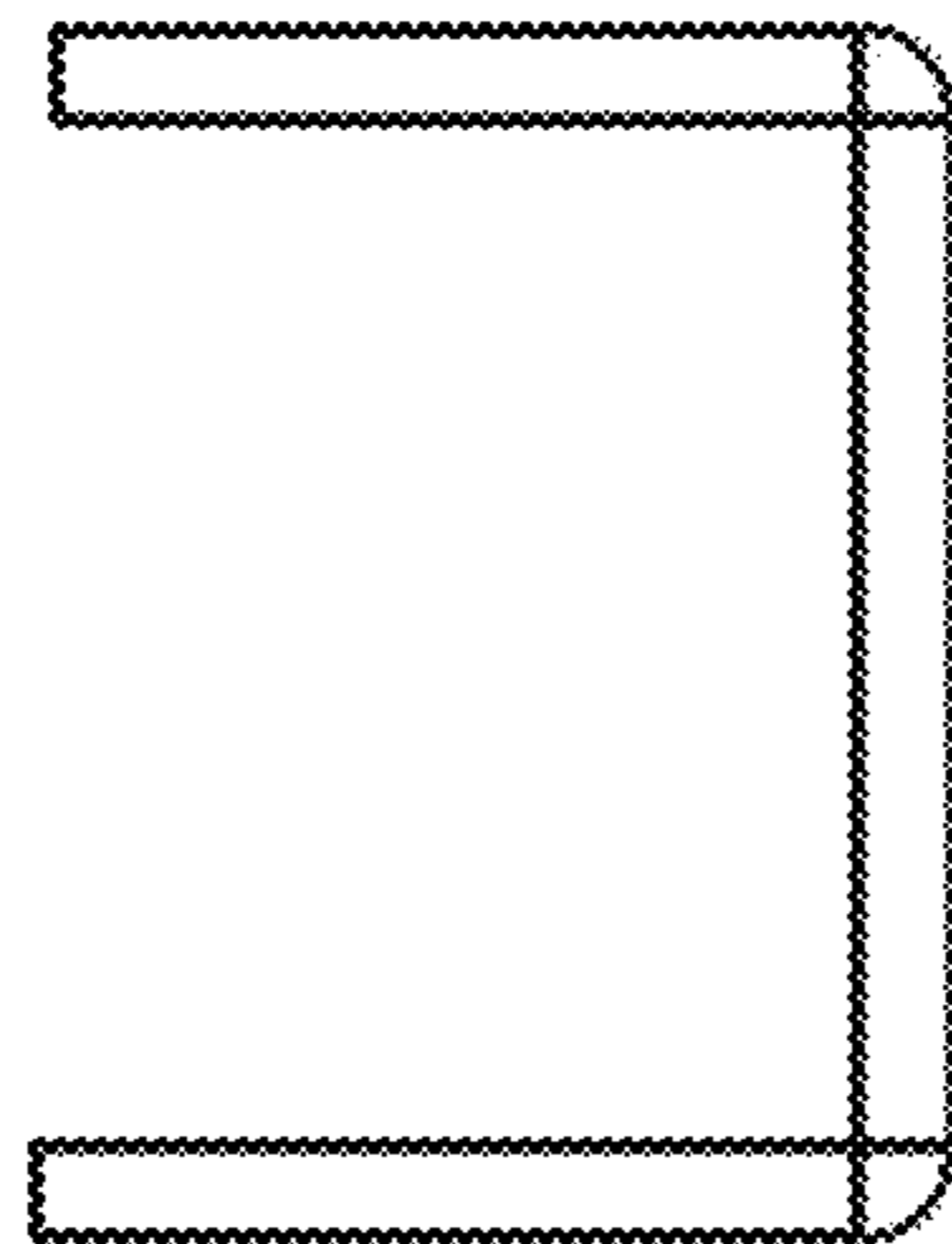


FIG. 5

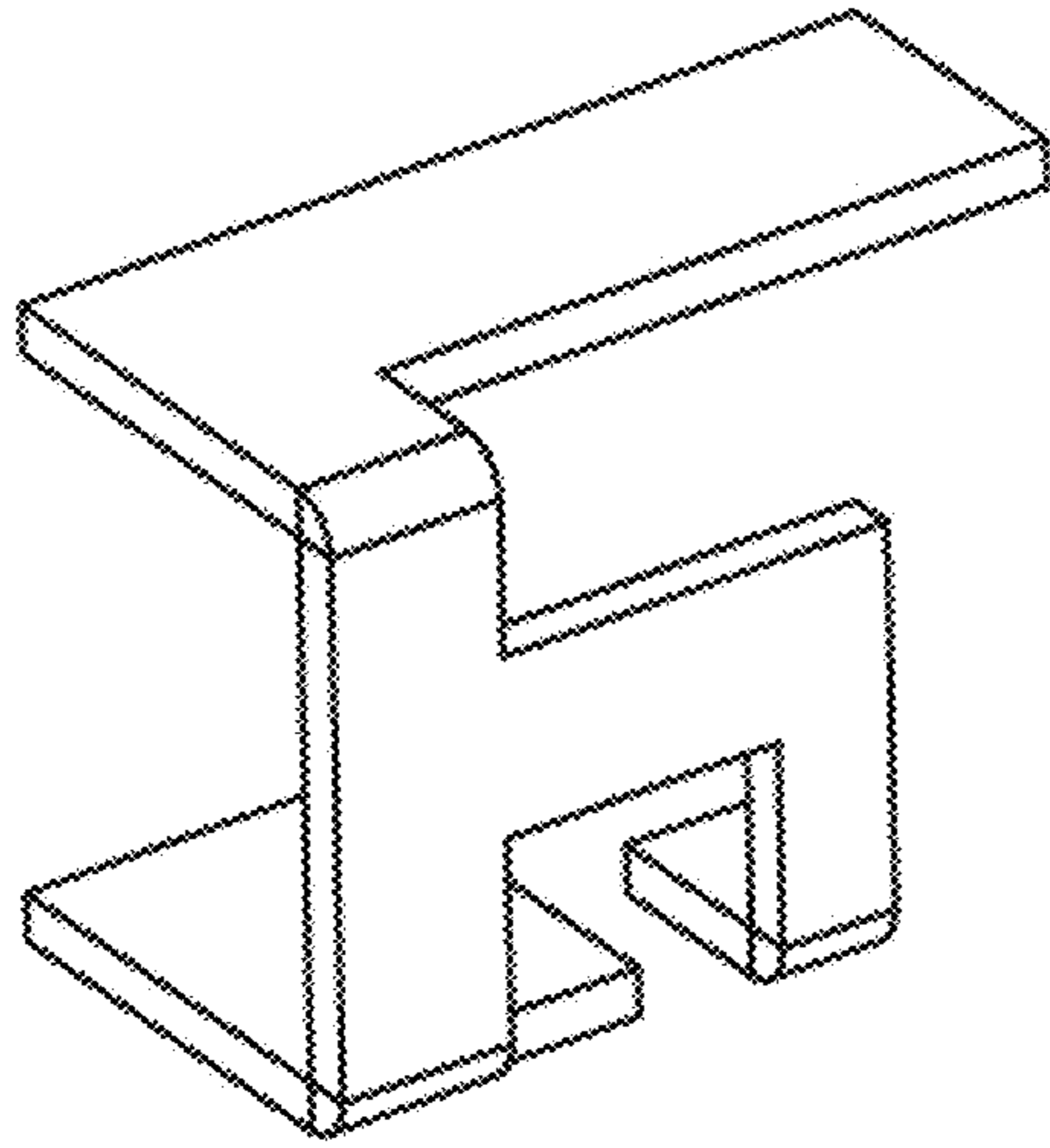


FIG. 6

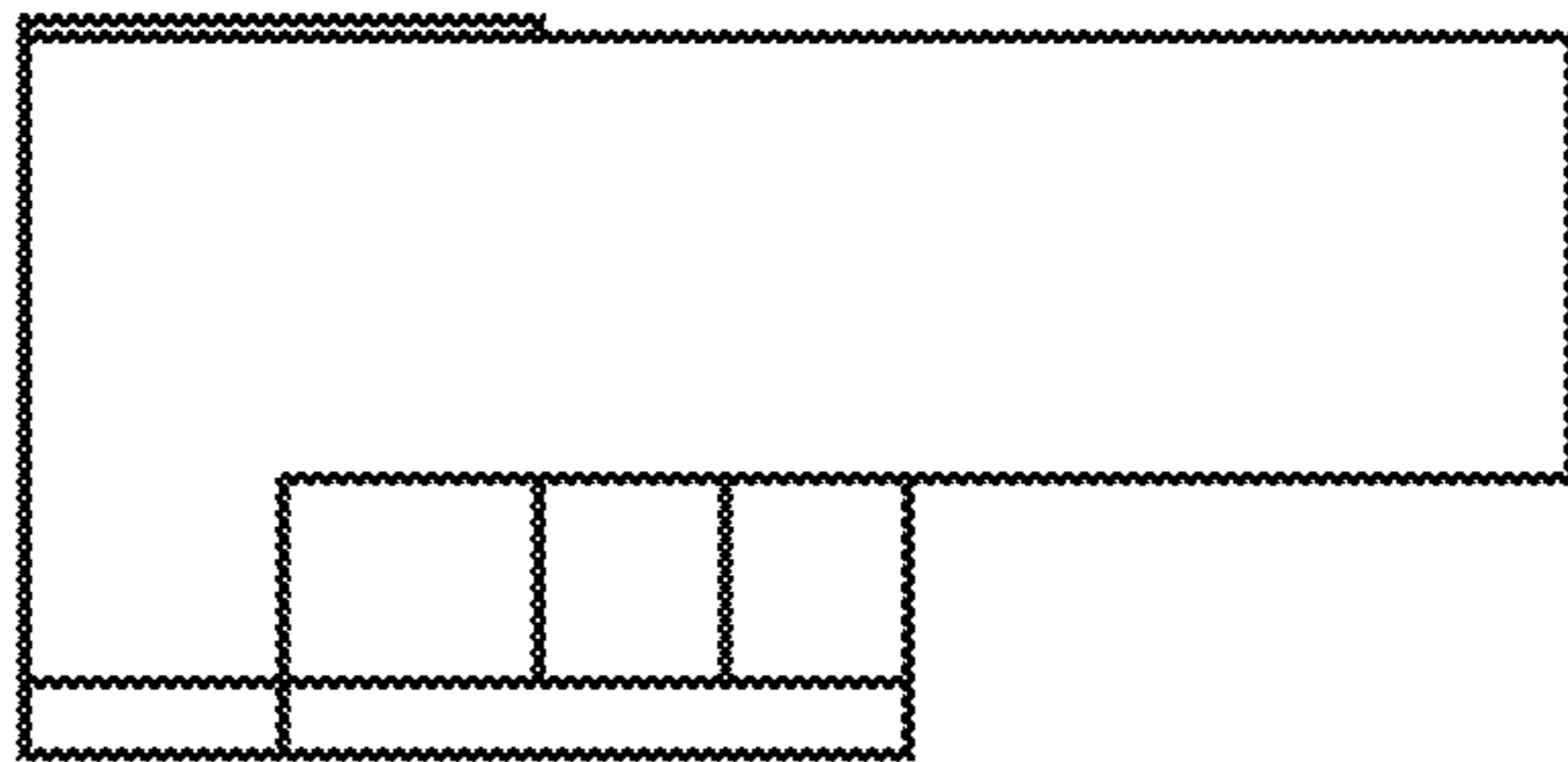


FIG. 7

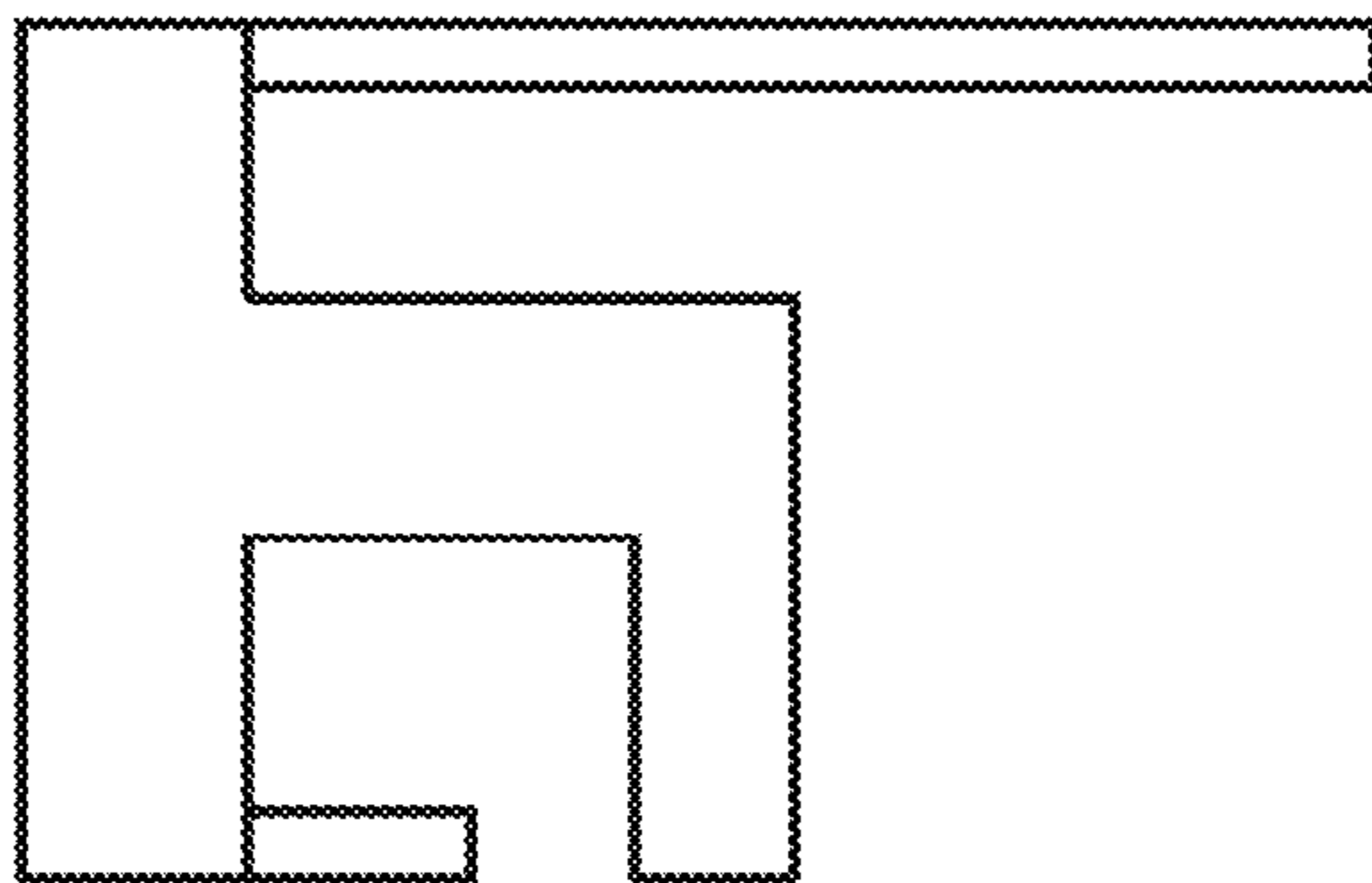


FIG. 8

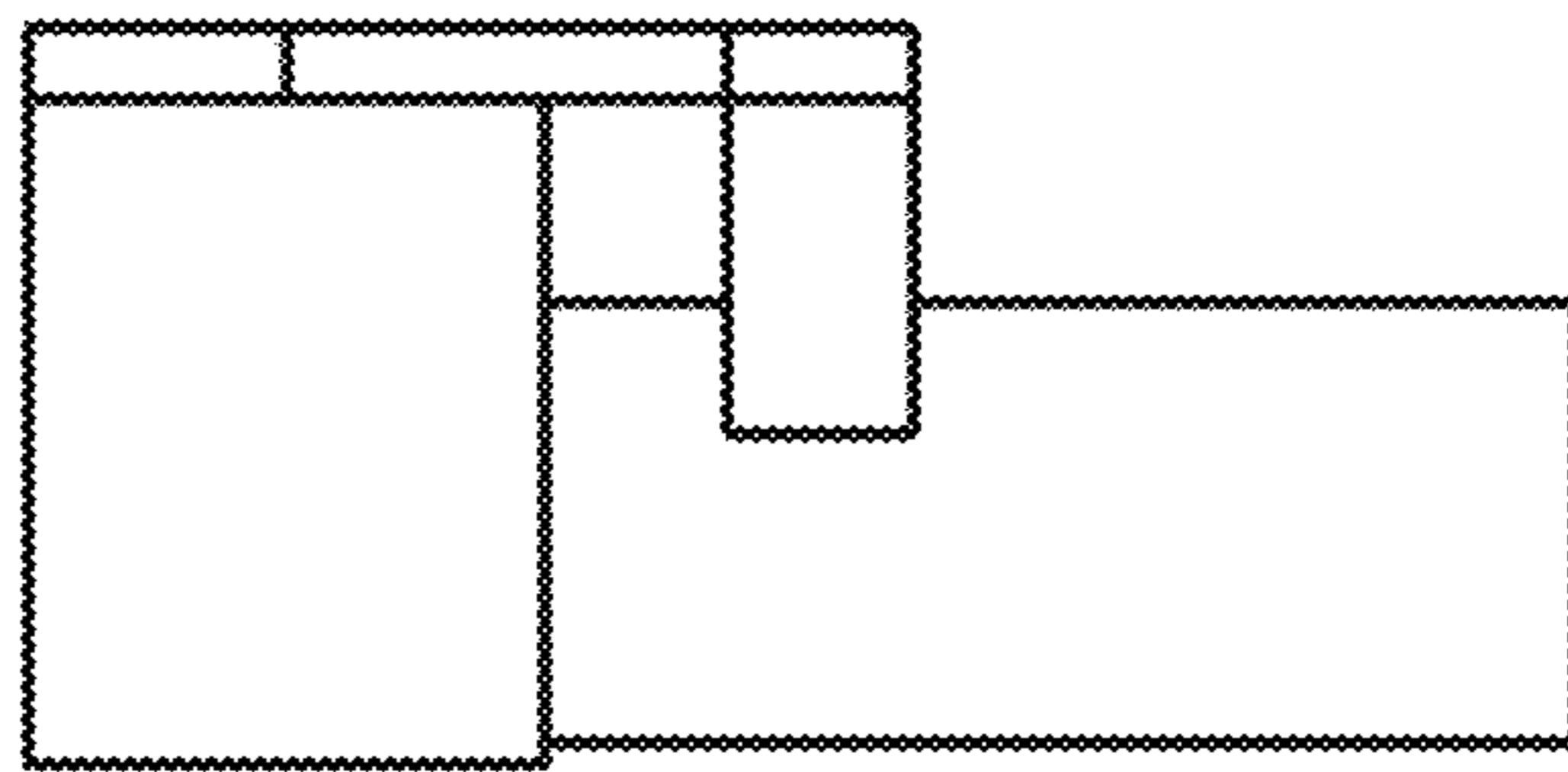


FIG. 9

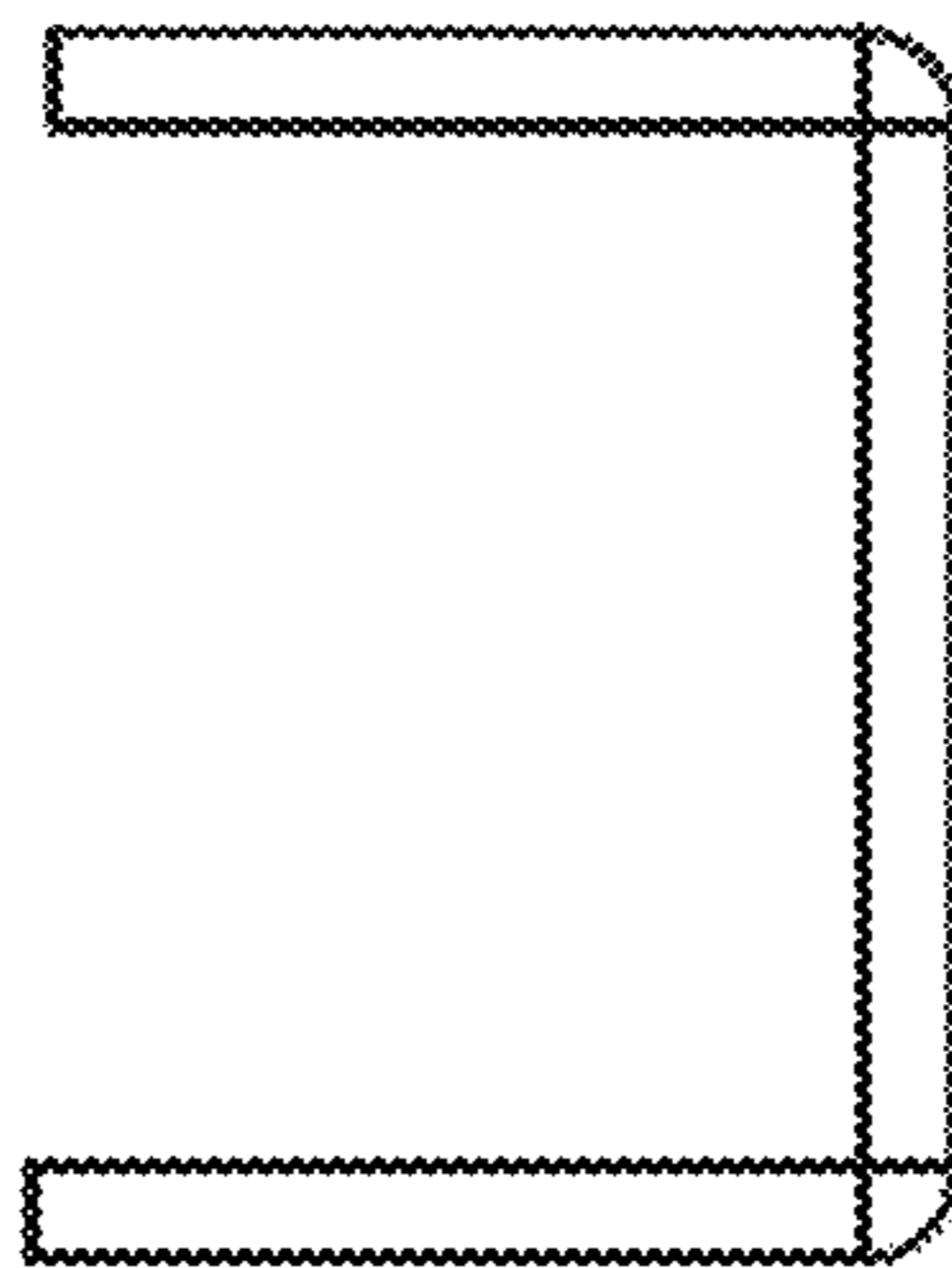


FIG. 10

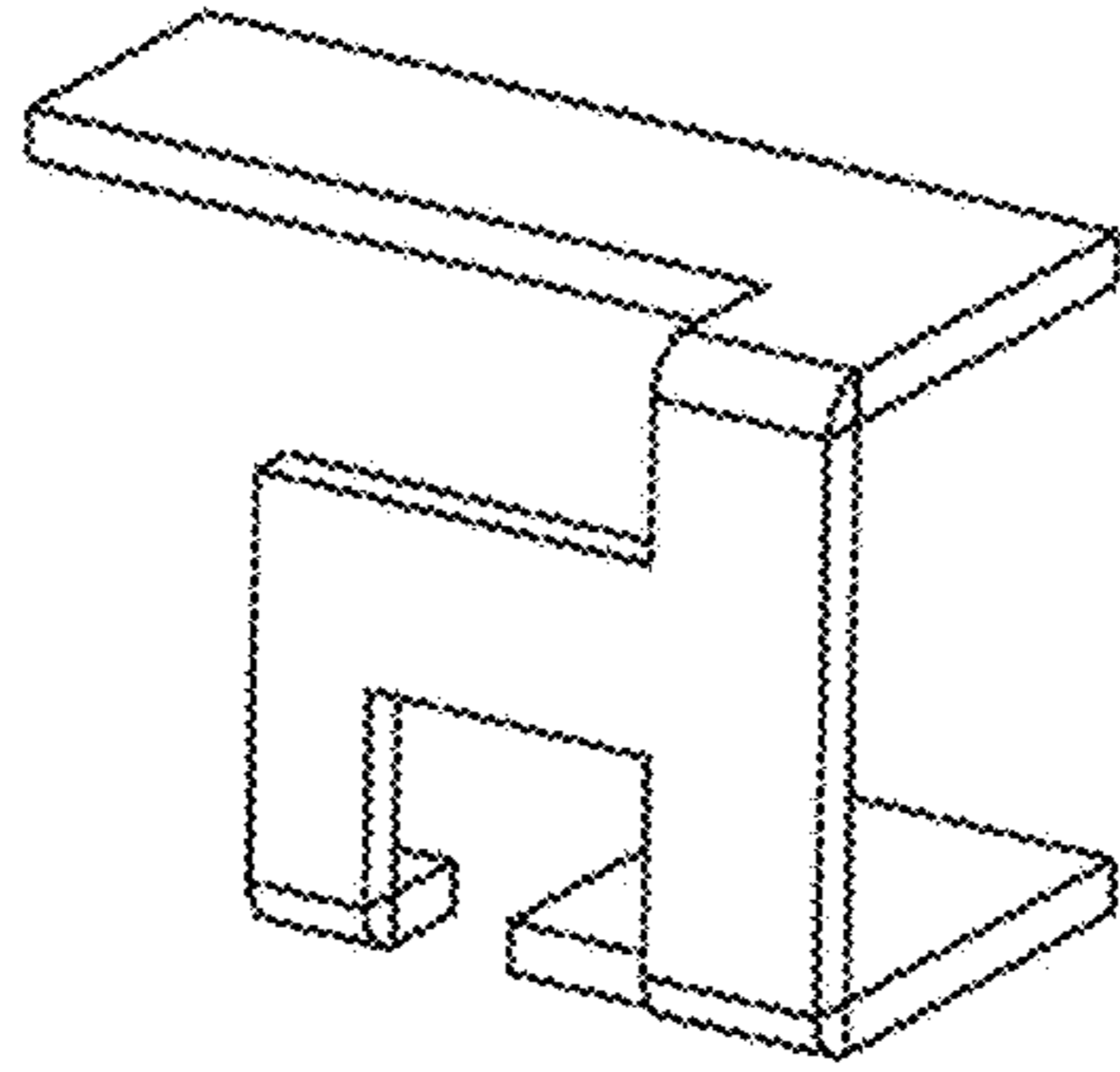


FIG. 11

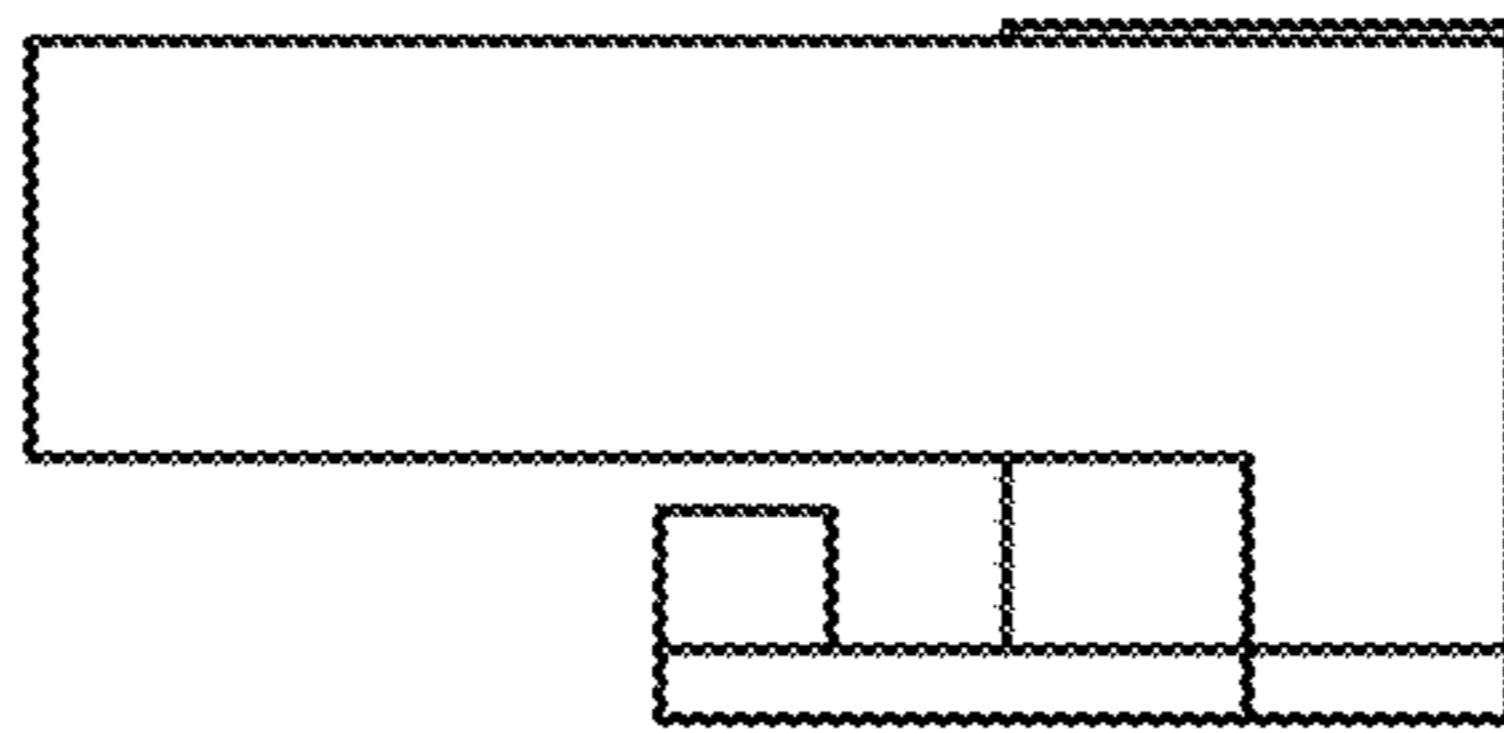


FIG. 12

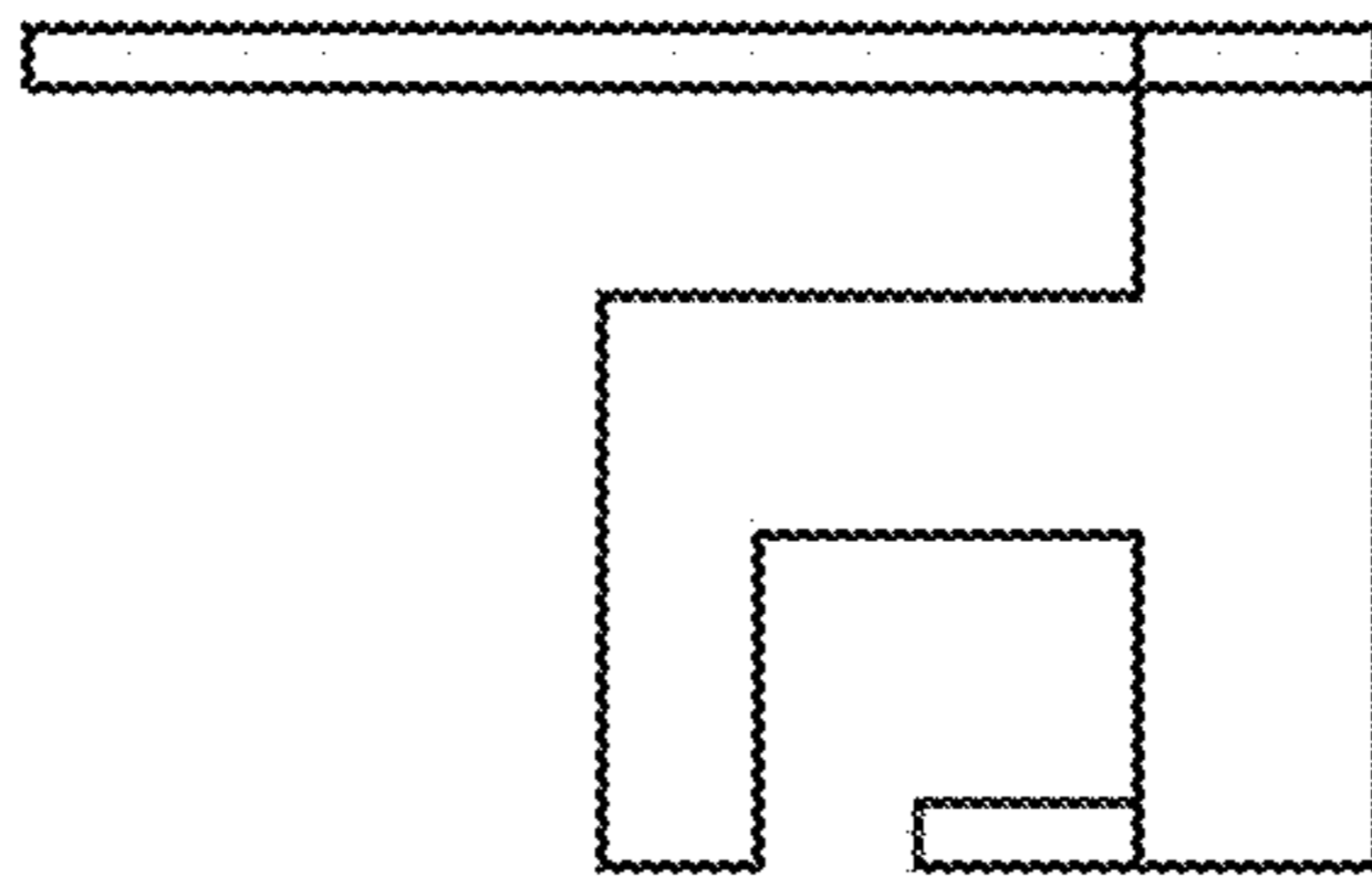


FIG. 13

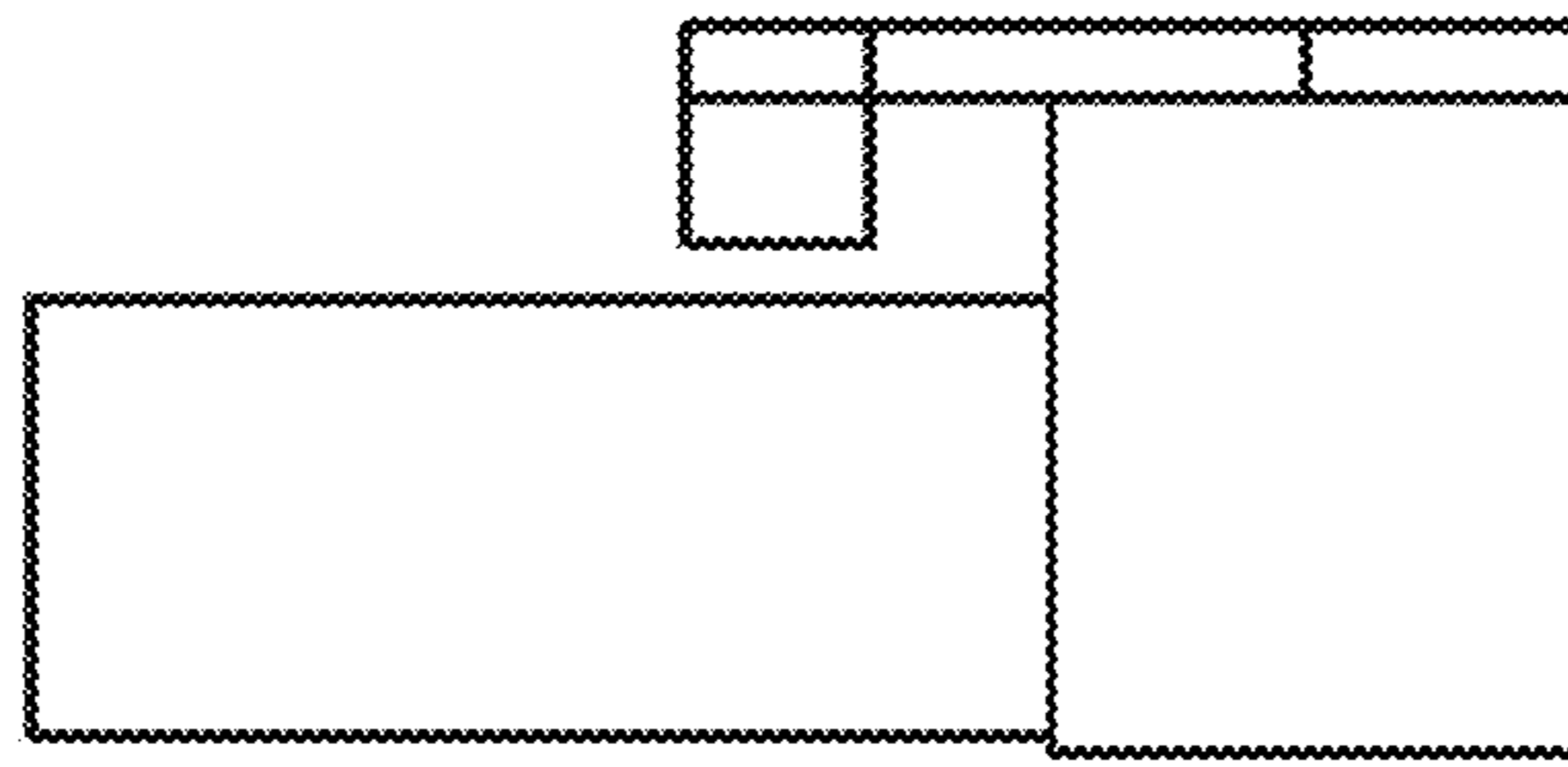


FIG. 14

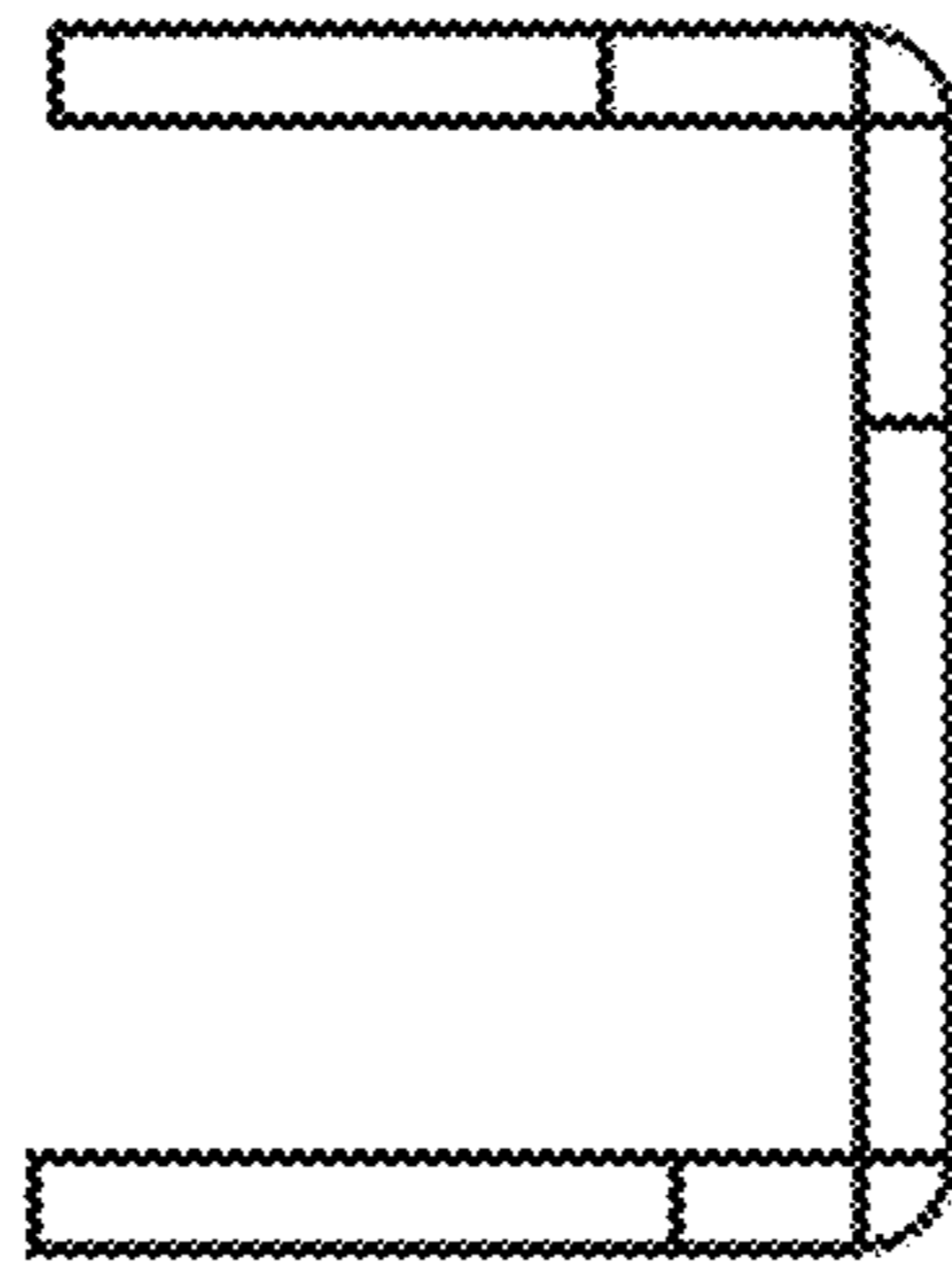


FIG. 15

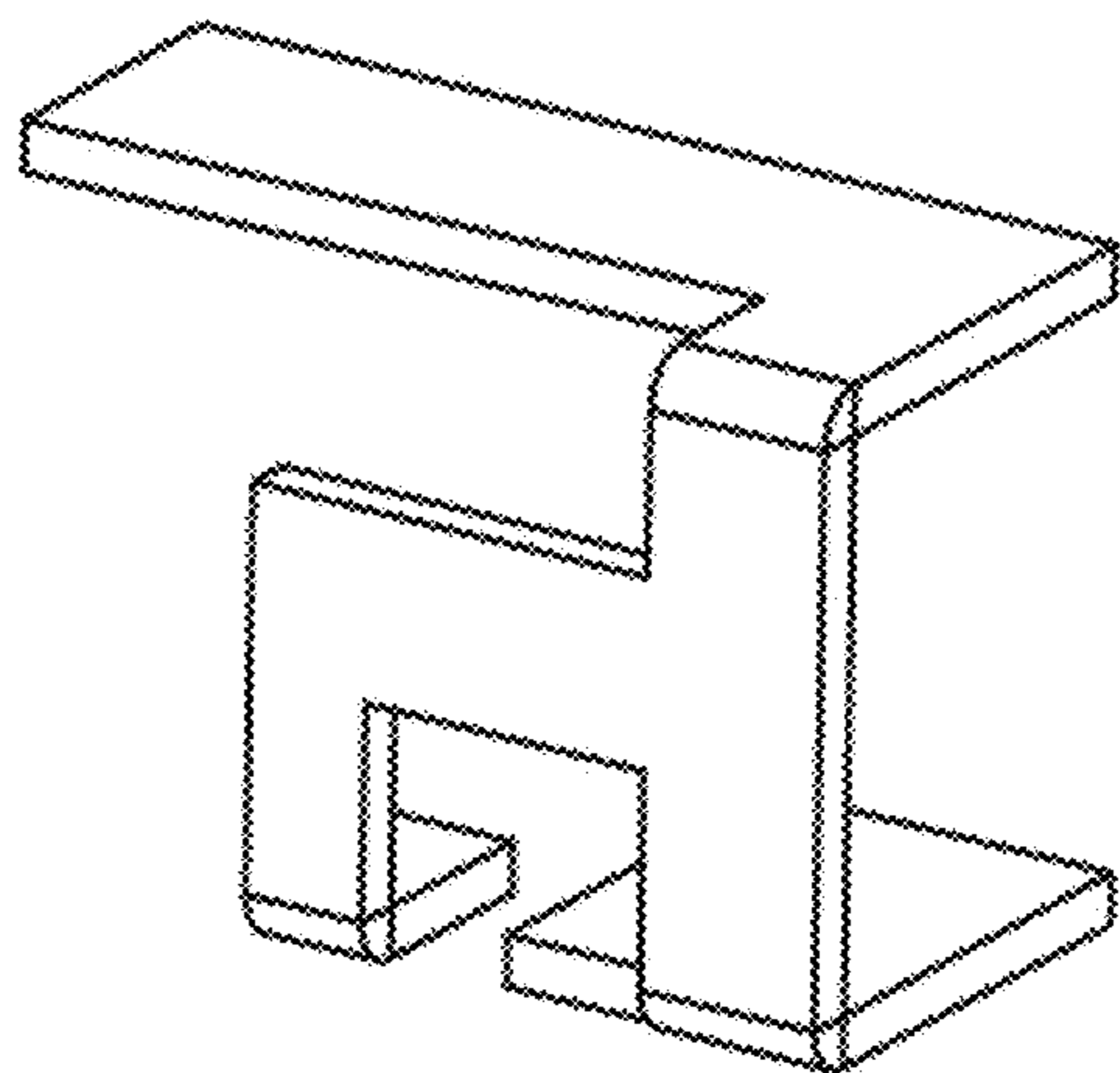


FIG. 16

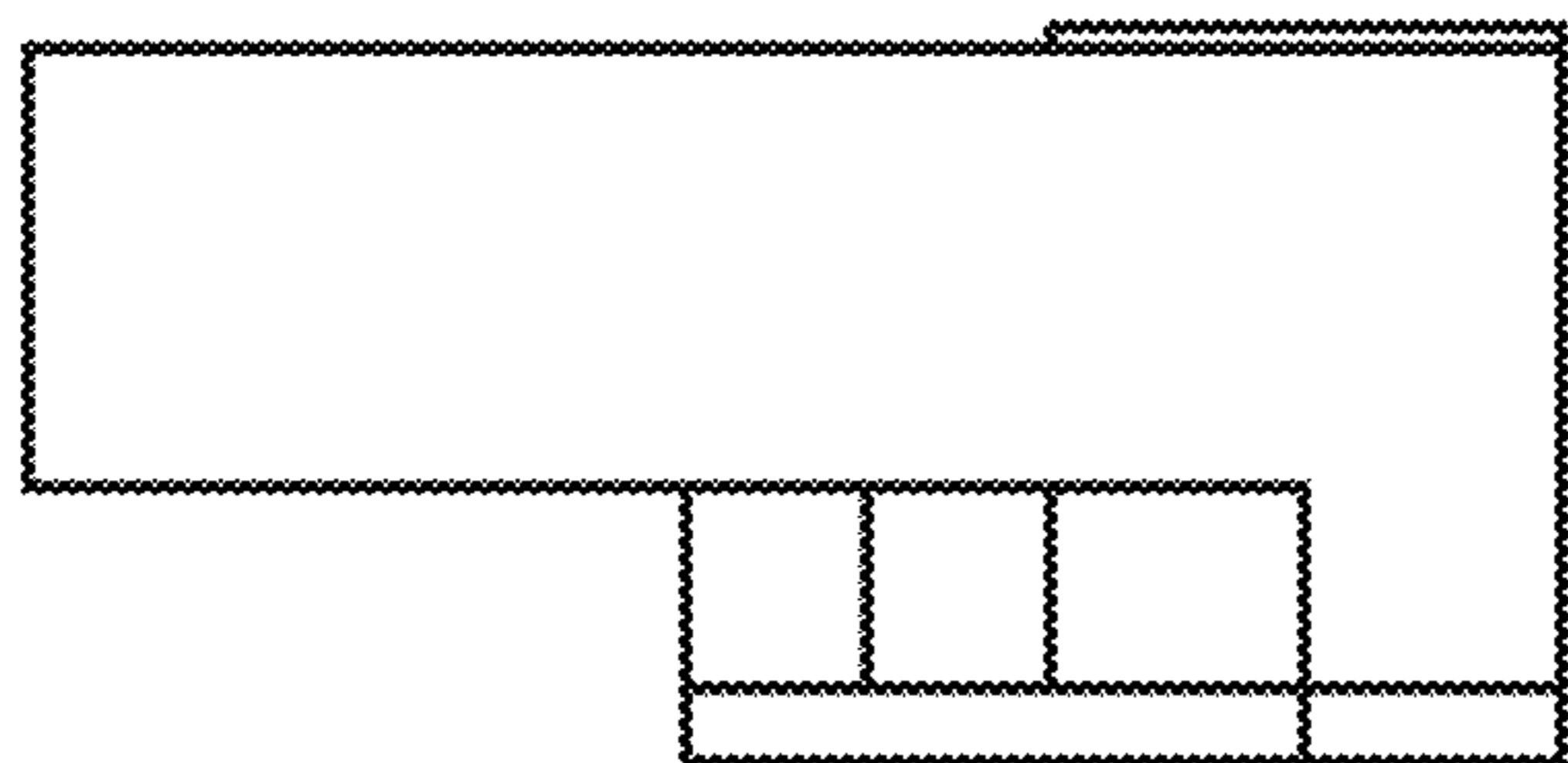


FIG. 17

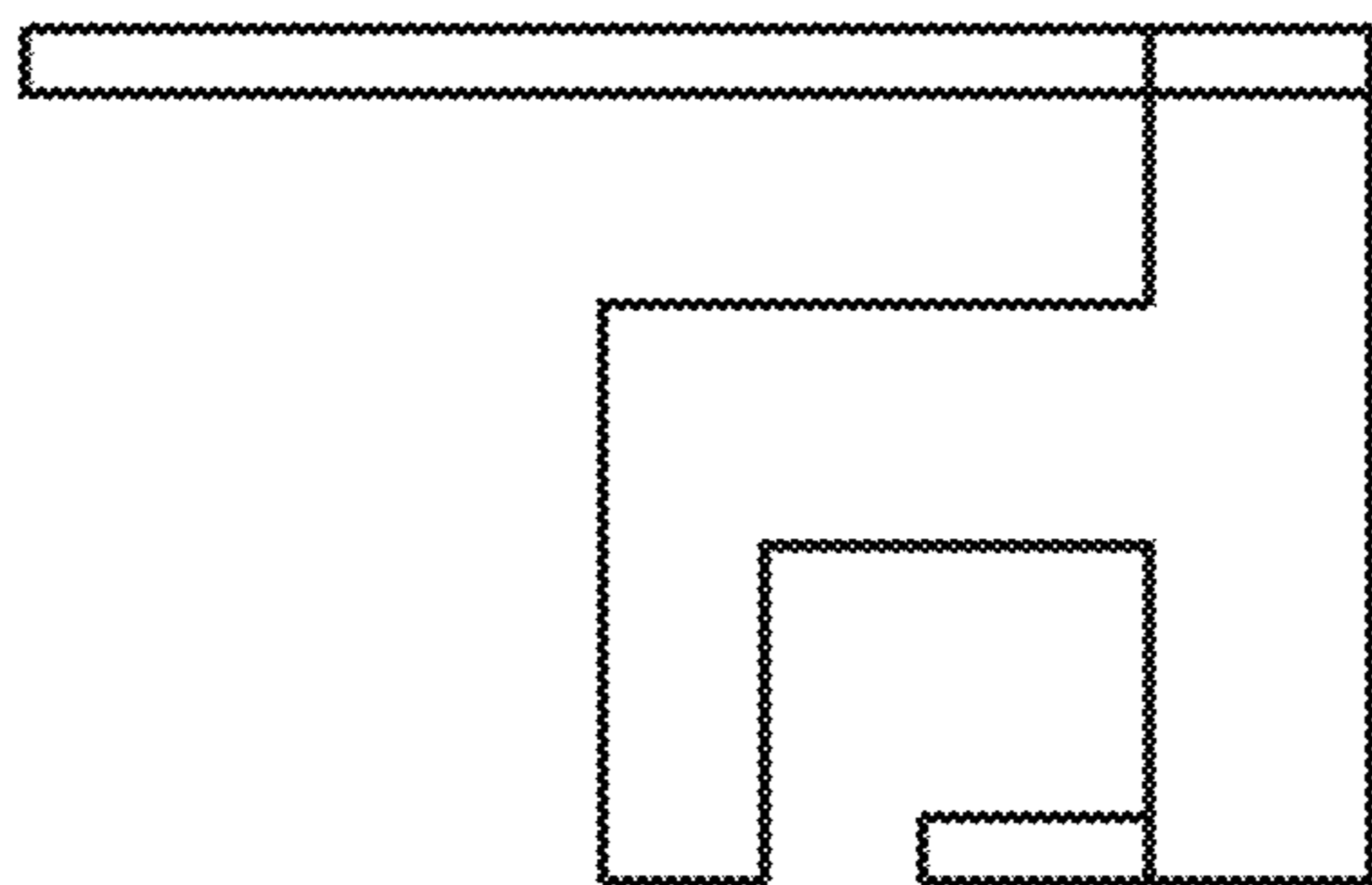


FIG. 18

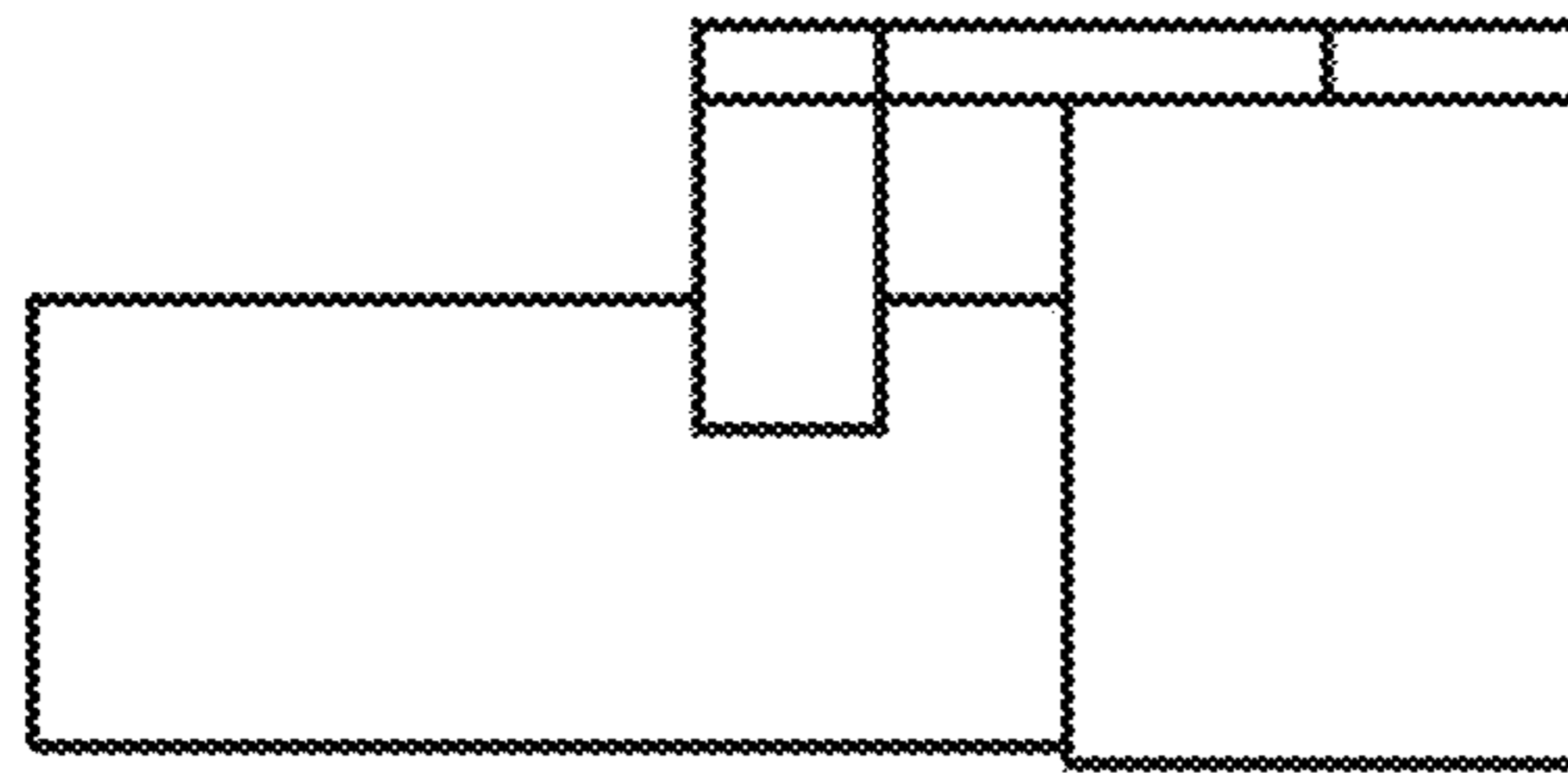


FIG. 19

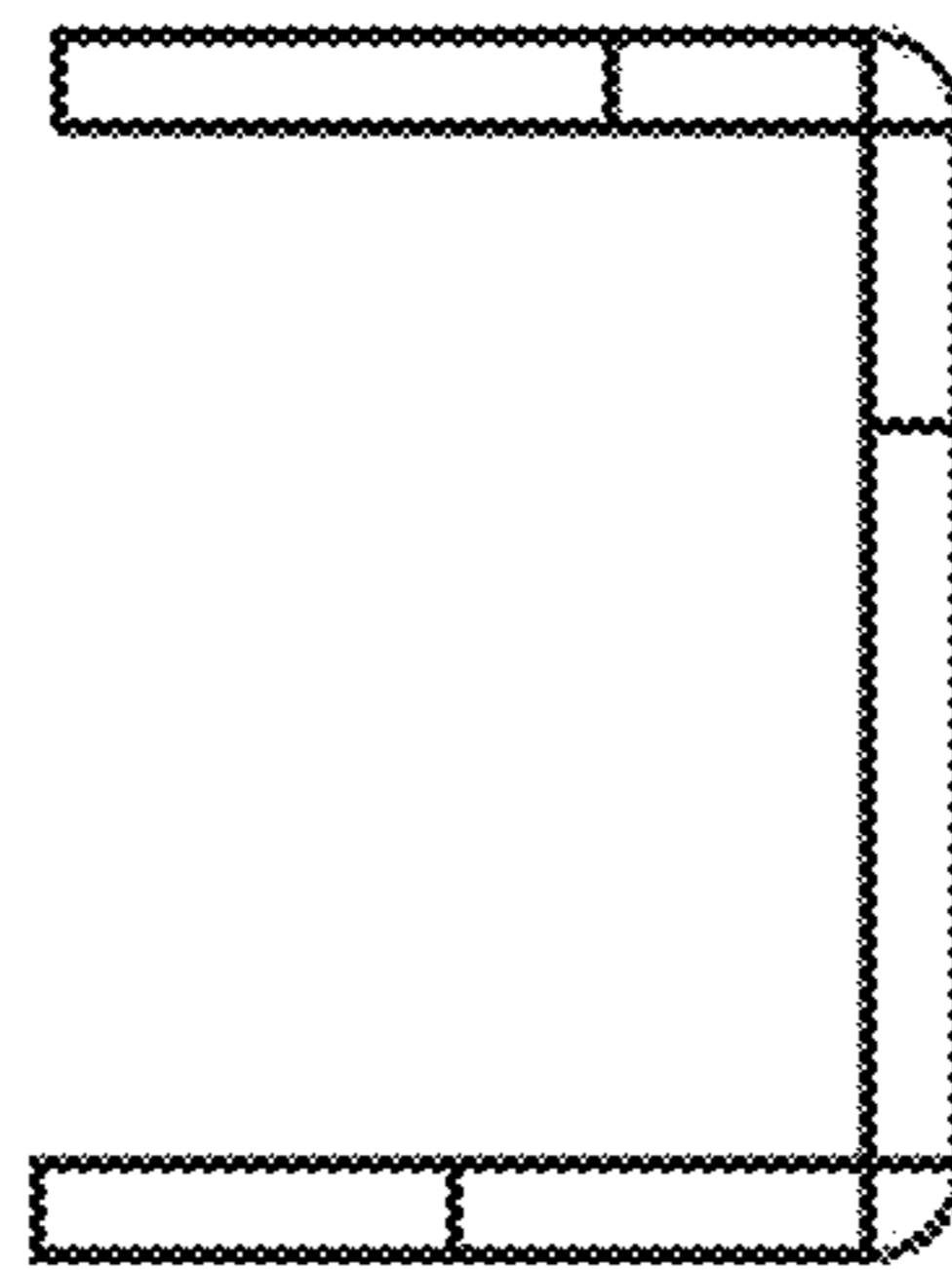


FIG. 20