



US00D786835S

(12) **United States Design Patent**
Wu et al.

(10) **Patent No.:** **US D786,835 S**

(45) **Date of Patent:** **** May 16, 2017**

(54) **COMMUNICATIONS HEADSET**

(71) Applicant: **Plantronics, Inc.**, Santa Cruz, CA (US)

(72) Inventors: **Chang-Chih Wu**, Taipei (TW);
Hsu-Yang Wei, Taipei (TW);
Shao-Chun Sung, Taipei (TW)

(73) Assignee: **Plantronics, Inc.**, Santa Cruz, CA (US)

(**) Term: **15 Years**

(21) Appl. No.: **29/537,530**

(22) Filed: **Aug. 26, 2015**

Related U.S. Application Data

(62) Division of application No. 29/501,381, filed on Sep. 3, 2014, now Pat. No. Des. 754,639.

(51) **LOC (10) Cl.** **14-01**

(52) **U.S. Cl.**
USPC **D14/223**

(58) **Field of Classification Search**
USPC D14/223, 205, 138 AA, 138 AB;
181/129, 130, 135; 379/430, 431;
381/380, 381; 455/90.3, 575.1
CPC H04R 25/00; H04R 1/10; H04R 5/033;
H04R 5/0335

See application file for complete search history.

(56) **References Cited**

U.S. PATENT DOCUMENTS

4,949,081 A	8/1990	Keller	
6,590,566 B2	7/2003	Abe	
D538,271 S	3/2007	Kim et al.	
D538,792 S	3/2007	Kim et al.	
D539,787 S *	4/2007	Kim	D14/223
D542,267 S	5/2007	Cha et al.	
D550,215 S *	9/2007	Udagawa	D14/223
D565,033 S	3/2008	Goransson	
D568,301 S *	5/2008	Kim	D14/205
D569,289 S	5/2008	Bender	

D575,277 S *	8/2008	Gaarde	D14/205
D580,900 S *	11/2008	Wong	D14/138 AA
D581,396 S *	11/2008	Wikel	D14/206
D582,897 S *	12/2008	Christopher	D14/223
D588,564 S *	3/2009	Pegon	D14/138 AA
D590,377 S *	4/2009	Bradford	D14/223
D598,900 S *	8/2009	Wikel	D14/223
D602,894 S *	10/2009	Lepoultier	D14/138 AB

(Continued)

FOREIGN PATENT DOCUMENTS

KR	30-2012-0000470	4/2012
KR	30-0684263	3/2013

OTHER PUBLICATIONS

English translation of Taiwan IPO Search Report, mailed Jan. 8, 2016 for corresponding Taiwan design application (1 page).

Primary Examiner — Paula Greene

(57) **CLAIM**

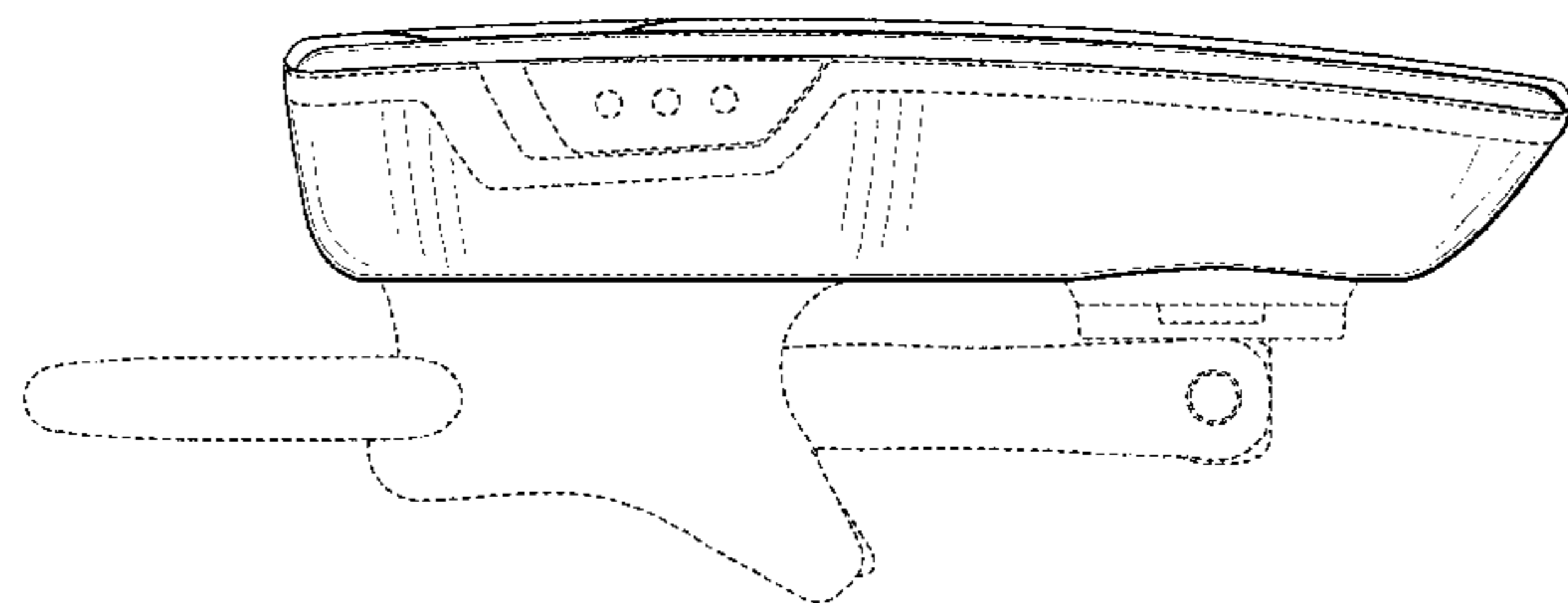
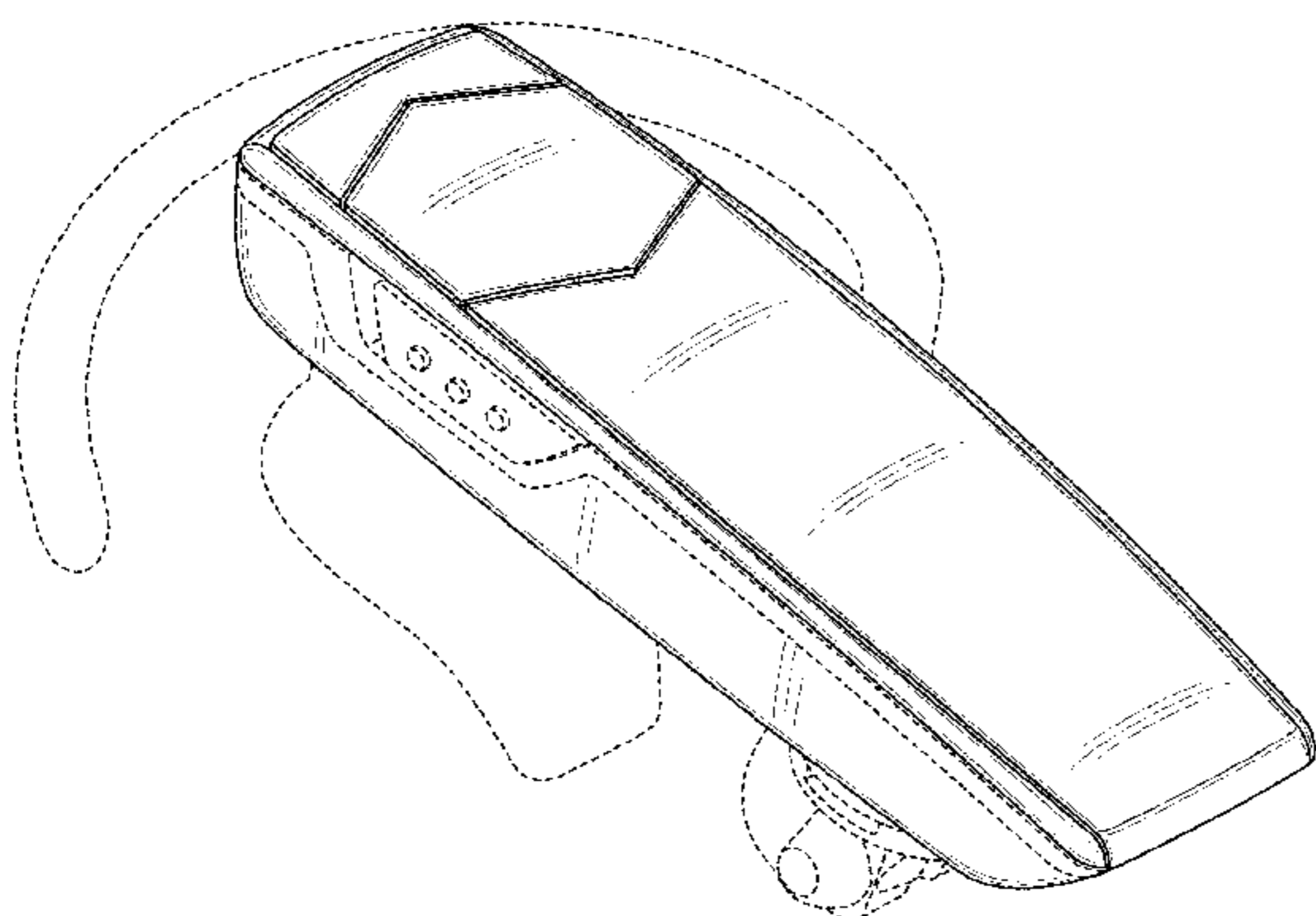
The ornamental design for a communications headset, as shown and described.

DESCRIPTION

FIG. 1 is a top-left perspective view of a communications headset showing my new design;
FIG. 2 is a top-right perspective view thereof;
FIG. 3 is a top view thereof;
FIG. 4 is a bottom view thereof;
FIG. 5 is a back view thereof;
FIG. 6 is a front view thereof;
FIG. 7 is a right side view thereof; and,
FIG. 8 is a left side view thereof.

The broken lines in the drawings, including those immediately adjacent to the shaded areas, represent unclaimed features for an exemplary headset in which the design is embodied; the broken lines form no part of the claimed design.

1 Claim, 6 Drawing Sheets



(56)

References Cited

U.S. PATENT DOCUMENTS

D604,722	S	11/2009	Mistry	
D609,698	S	2/2010	Ng	
D618,221	S *	6/2010	Fahrendorff	D14/223
D620,927	S	8/2010	Li	
7,778,410	B2	8/2010	Liu et al.	
D625,710	S	10/2010	Yang	
D625,711	S	10/2010	Yang	
D625,712	S	10/2010	Yang	
D625,713	S	10/2010	Yang	
D631,037	S	1/2011	Park et al.	
D636,381	S *	4/2011	Liner	D14/223
D637,183	S *	5/2011	March	D14/223
D637,184	S *	5/2011	March	D14/223
D640,242	S	6/2011	Fahrendorff et al.	
D649,957	S *	12/2011	Fahrendorff	D14/223
D656,490	S *	3/2012	Birger	D14/223
D657,781	S	4/2012	Yang	
D664,125	S *	7/2012	Koch	D14/223
D664,950	S	8/2012	Rye et al.	
8,270,915	B2 *	9/2012	Sanford	H01Q 1/243 343/904
8,285,208	B2 *	10/2012	Terlizzi	H04M 1/05 379/428.02
D671,096	S *	11/2012	Song	D14/223
D675,600	S	2/2013	Koch	
D680,101	S	4/2013	Koch	
D691,120	S *	10/2013	Koch	D14/223
D693,796	S *	11/2013	Birger	D14/223
D710,830	S *	8/2014	Birger	D14/223
D726,693	S	4/2015	Behar et al.	
D746,267	S *	12/2015	Birger	D14/223
D754,639	S *	4/2016	Wu	D14/223
D761,769	S *	7/2016	Harper	D14/223
D772,203	S *	11/2016	Zeng	D14/223

* cited by examiner

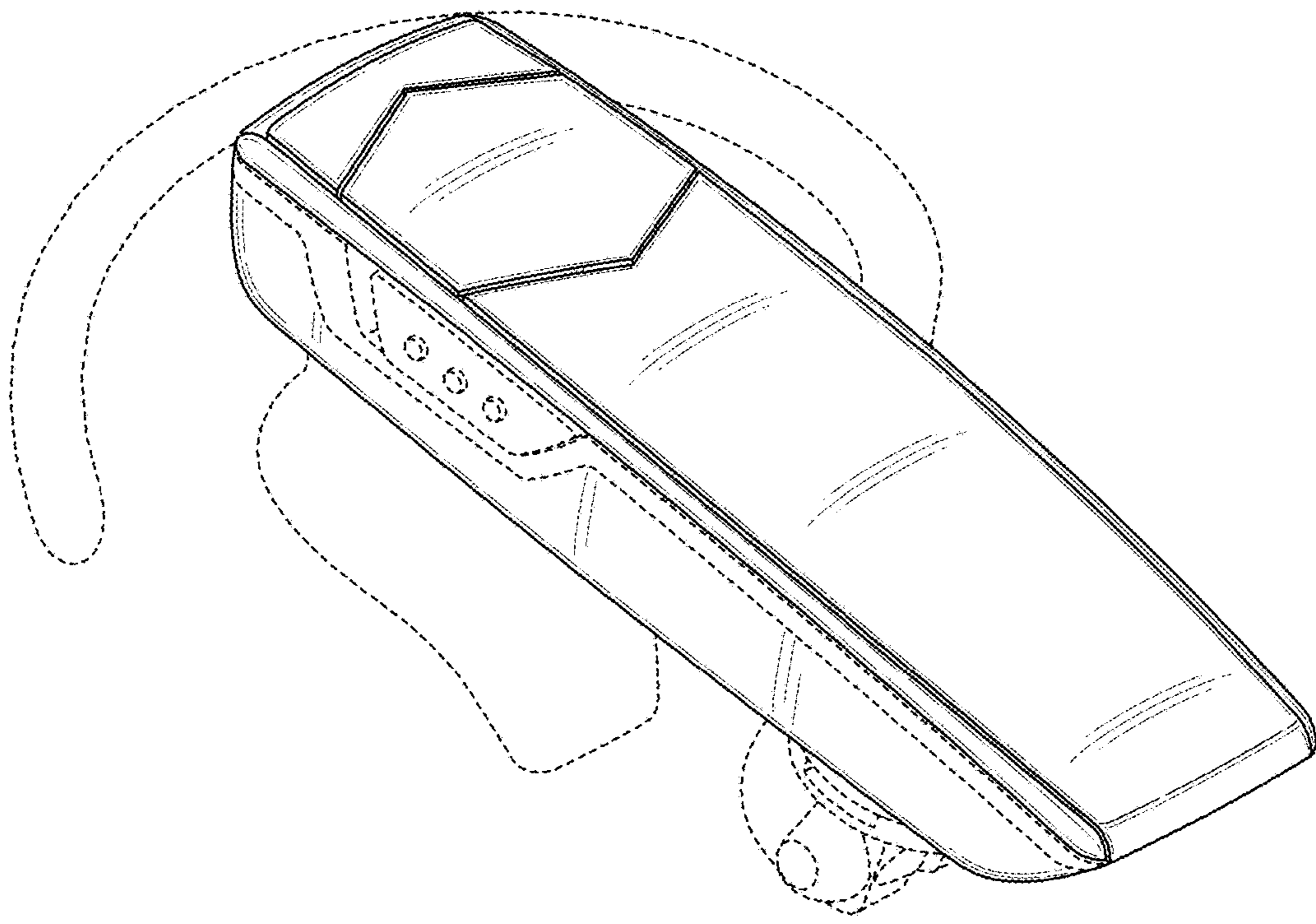


FIG. 1

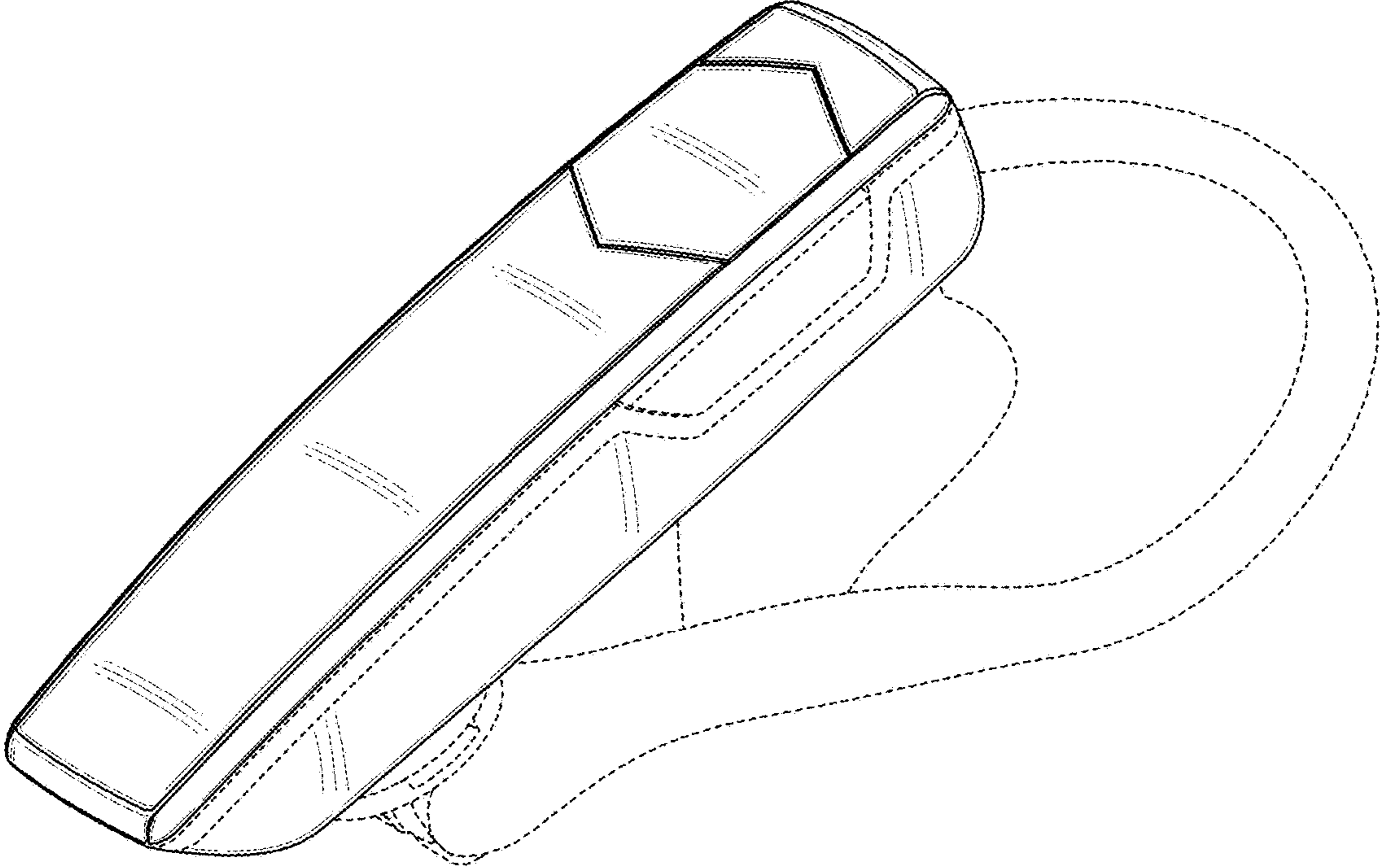


FIG. 2

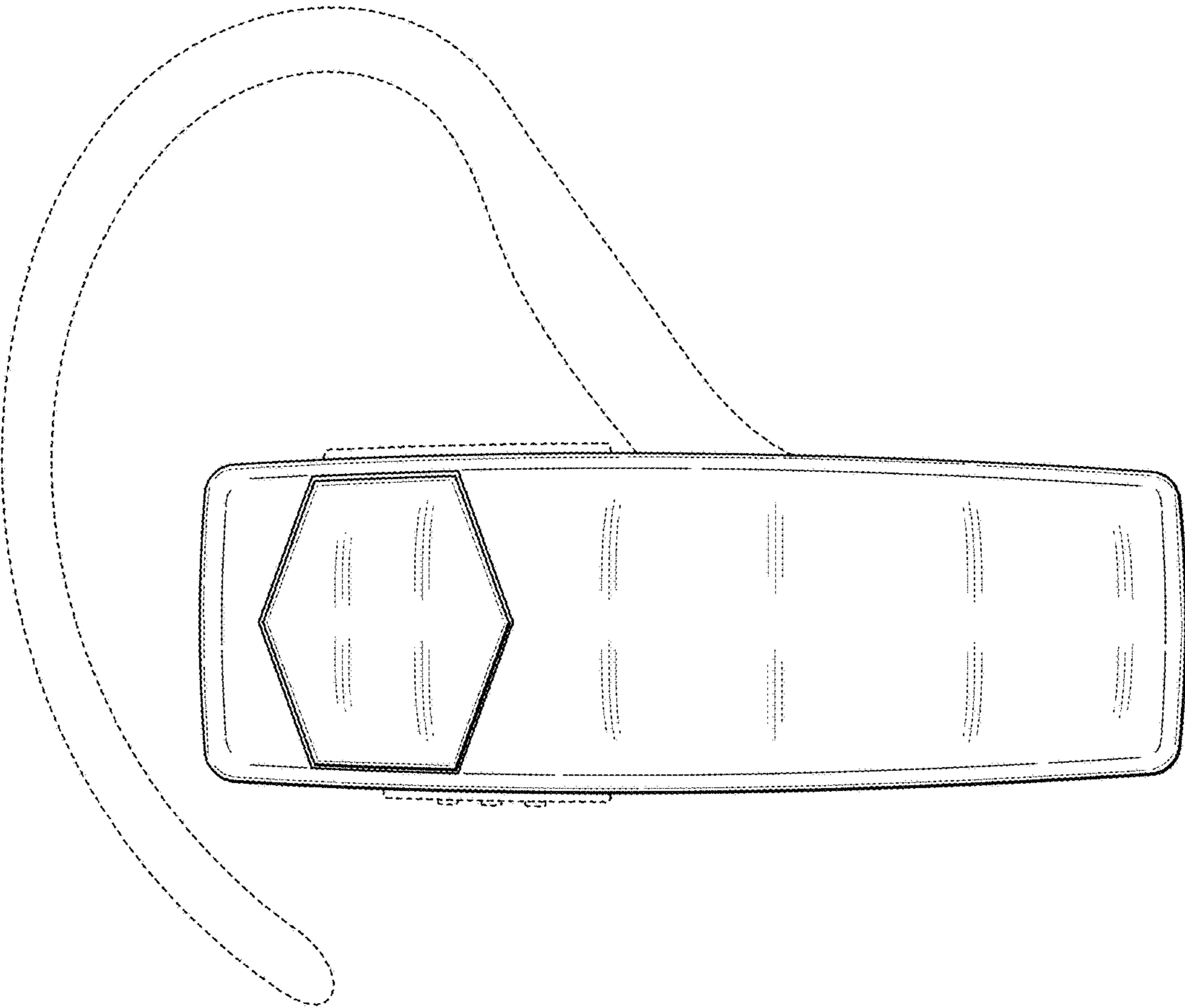


FIG. 3

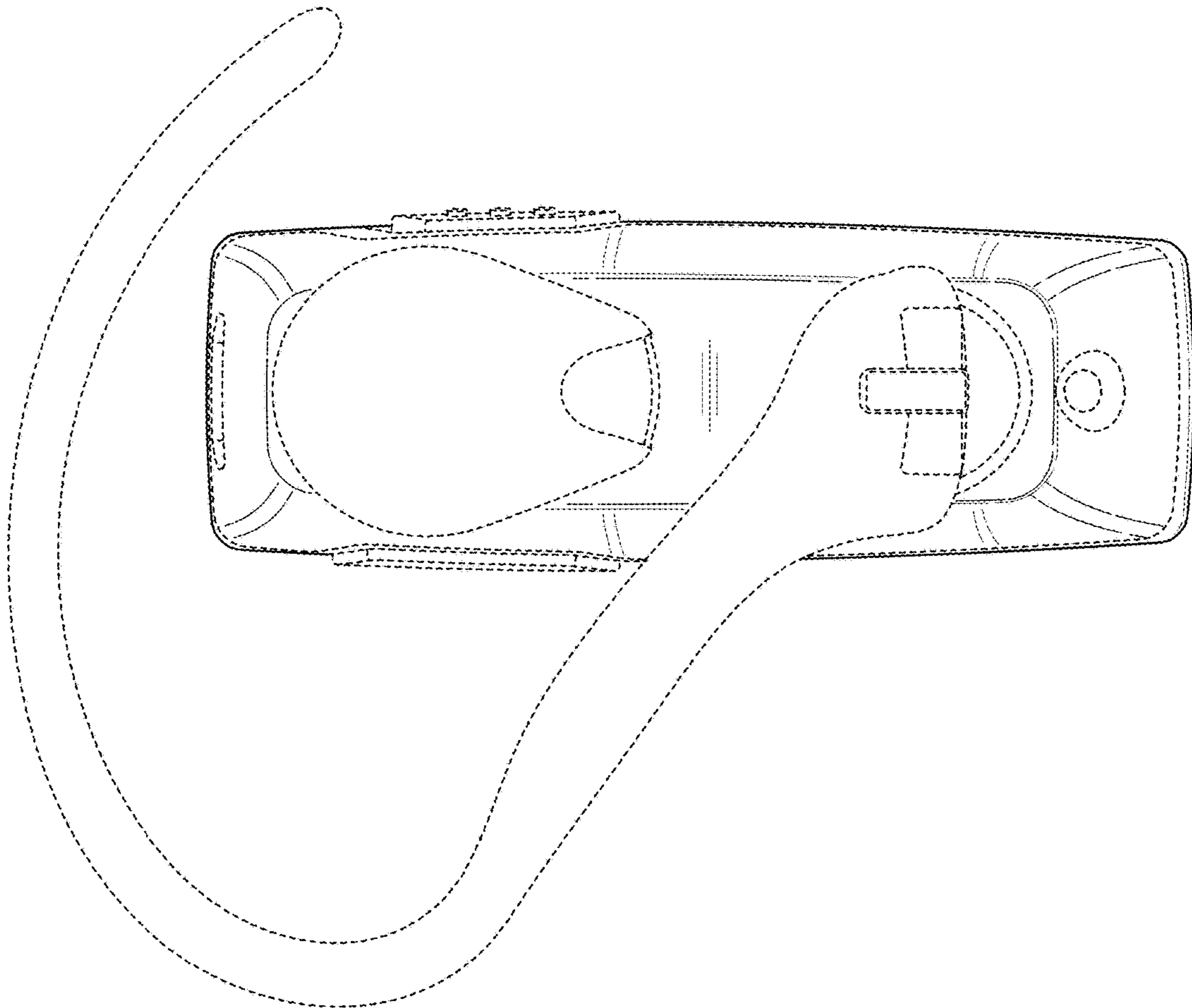


FIG. 4

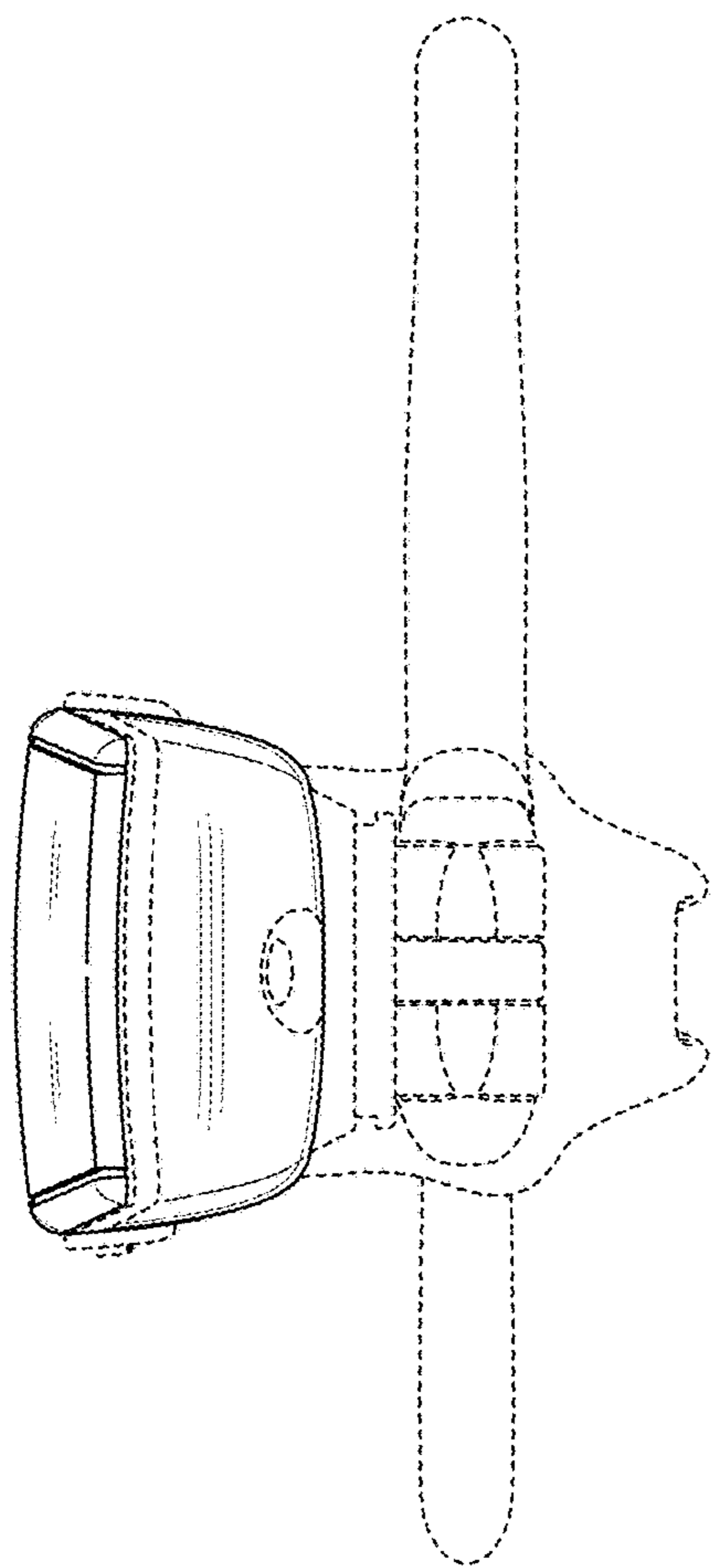


FIG. 5

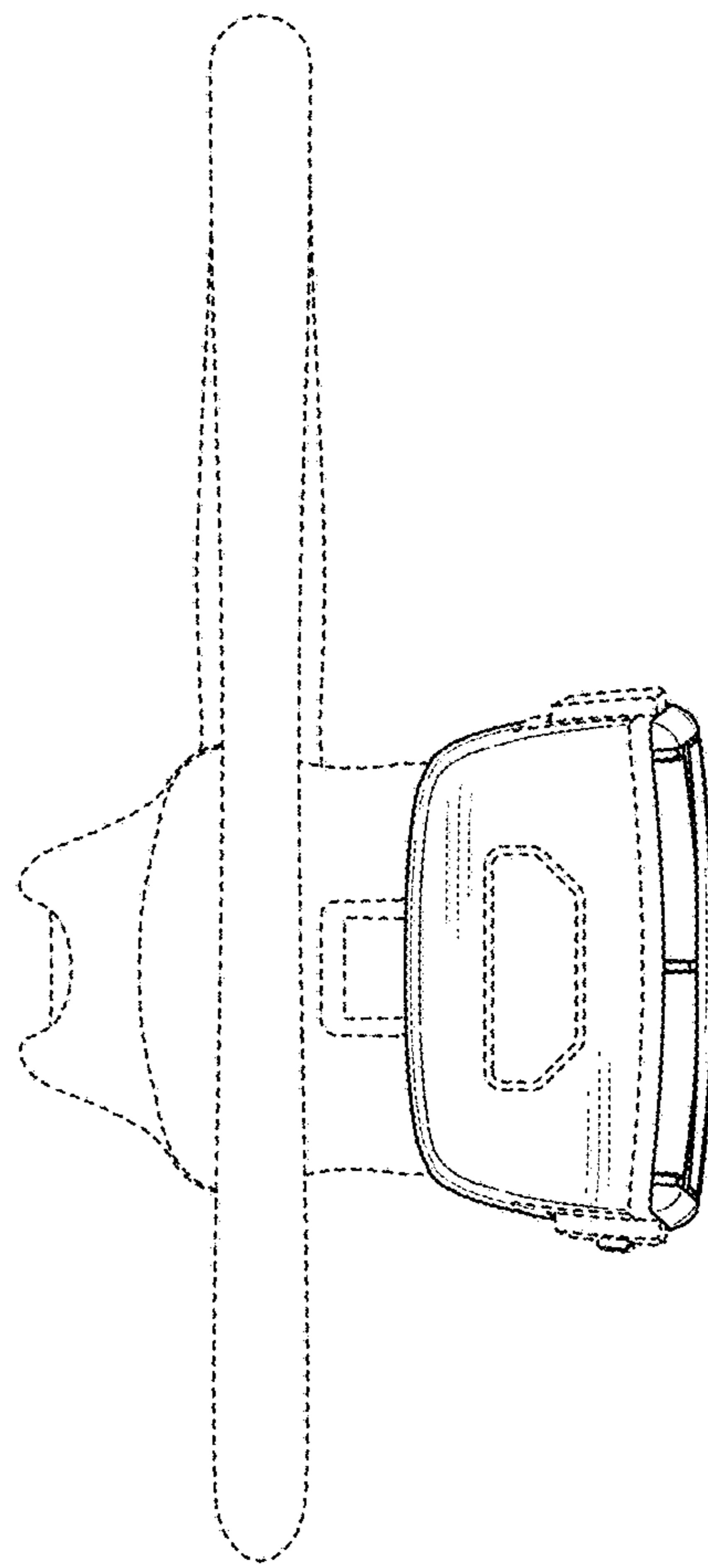


FIG. 6

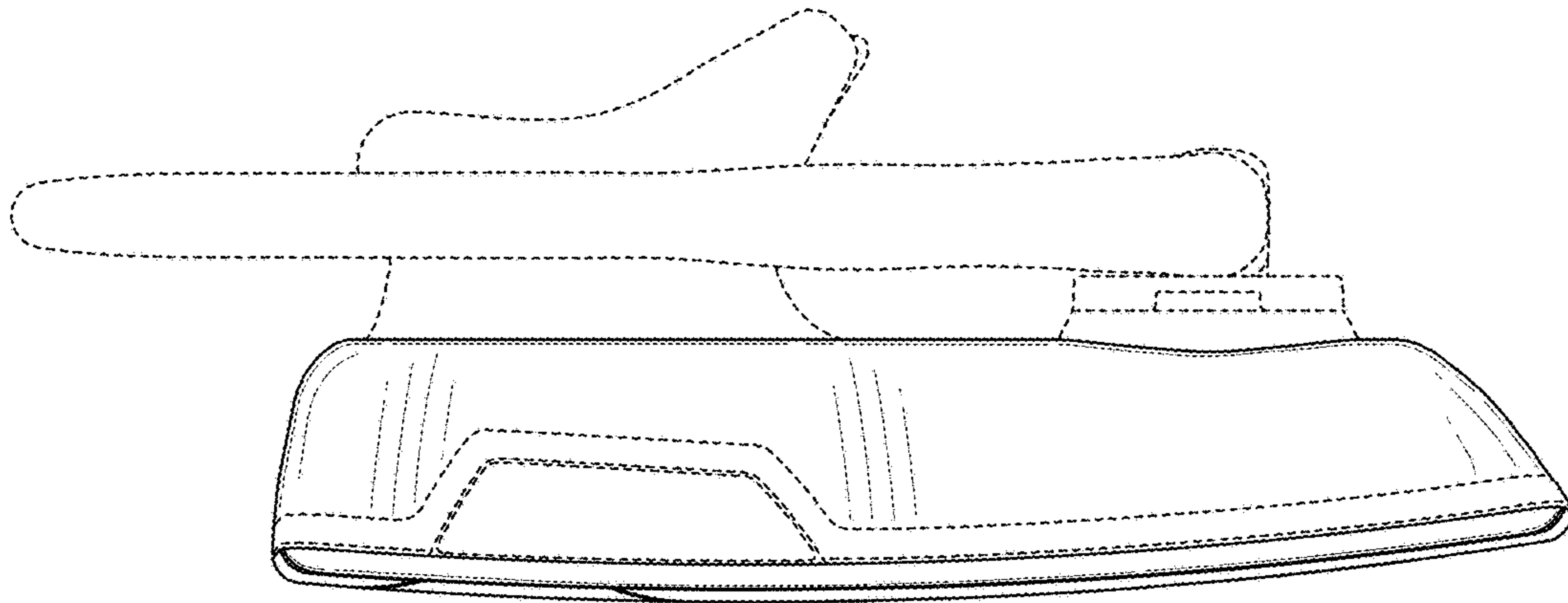


FIG. 7

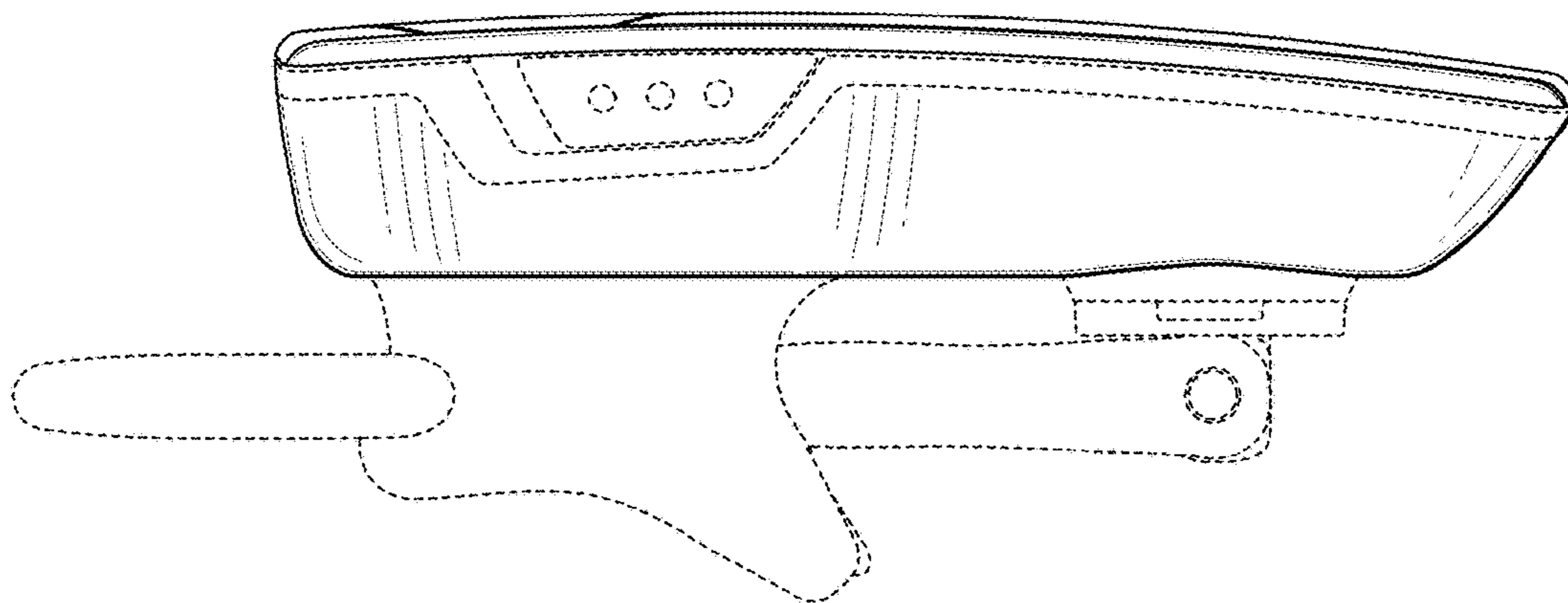


FIG. 8