



US00D786834S

(12) **United States Design Patent**  
**Samrelius**

(10) **Patent No.:** **US D786,834 S**

(45) **Date of Patent:** **\*\* May 16, 2017**

(54) **EARPHONE**

(71) Applicant: **GN Netcom A/S**, Ballerup (DK)

(72) Inventor: **Jonas Samrelius**, Stockholm (SE)

(73) Assignee: **GN Netcom A/S** (DK)

(\*\*) Term: **14 Years**

(21) Appl. No.: **29/497,986**

(22) Filed: **Jul. 30, 2014**

(30) **Foreign Application Priority Data**

Jan. 31, 2014 (EM) ..... 002396135-0001  
Jan. 31, 2014 (EM) ..... 002396135-0002  
Jan. 31, 2014 (EM) ..... 002396135-0003  
Jan. 31, 2014 (EM) ..... 002396135-0004

(51) **LOC (10) Cl.** ..... **14-01**

(52) **U.S. Cl.**  
USPC ..... **D14/223**

(58) **Field of Classification Search**  
USPC ..... D14/223, 205, 224, 418, 421–423, 428,  
D14/432; D24/106; 128/865, 866;  
181/129, 130, 135; 379/430, 431;  
381/74, 374, 380, 381, 183, 151, 311,  
381/326, 384, 378, 379, 351, 377, 157,  
381/158; 455/90.3, 100, 569.1, 575.2;  
D16/300; 359/630; D28/45, 49, 50  
CPC ..... H04R 25/00; H04R 1/10; H04R 1/1066;  
H04R 1/1016; H04R 3/00; H04R 1/08  
See application file for complete search history.

(56) **References Cited**

**U.S. PATENT DOCUMENTS**

D352,937 S \* 11/1994 Karlin ..... D14/428  
5,410,608 A \* 4/1995 Lucey ..... H04R 1/083  
381/360

D430,146 S \* 8/2000 Lin ..... D14/223  
6,574,345 B1 \* 6/2003 Huang ..... H04R 1/1016  
379/430  
D482,348 S \* 11/2003 Villaverde ..... D14/223  
D510,337 S \* 10/2005 Tages ..... D14/205  
D554,627 S \* 11/2007 Gondo ..... D14/223  
D557,689 S \* 12/2007 Huang ..... D14/223  
D604,272 S \* 11/2009 Kitayama ..... D14/223  
D627,765 S \* 11/2010 Zheng ..... D14/223  
D634,306 S \* 3/2011 Pedersen ..... D14/223  
D637,585 S \* 5/2011 Nagayama ..... D14/223  
D641,008 S \* 7/2011 Lee ..... D14/223  
D642,163 S \* 7/2011 Lee ..... D14/223  
D643,833 S \* 8/2011 Lee ..... D14/223  
D658,157 S \* 4/2012 McManigal ..... D14/205  
D673,531 S \* 1/2013 Lee ..... D14/223

(Continued)

*Primary Examiner* — Paula Greene

(74) *Attorney, Agent, or Firm* — Altera Law Group, LLC

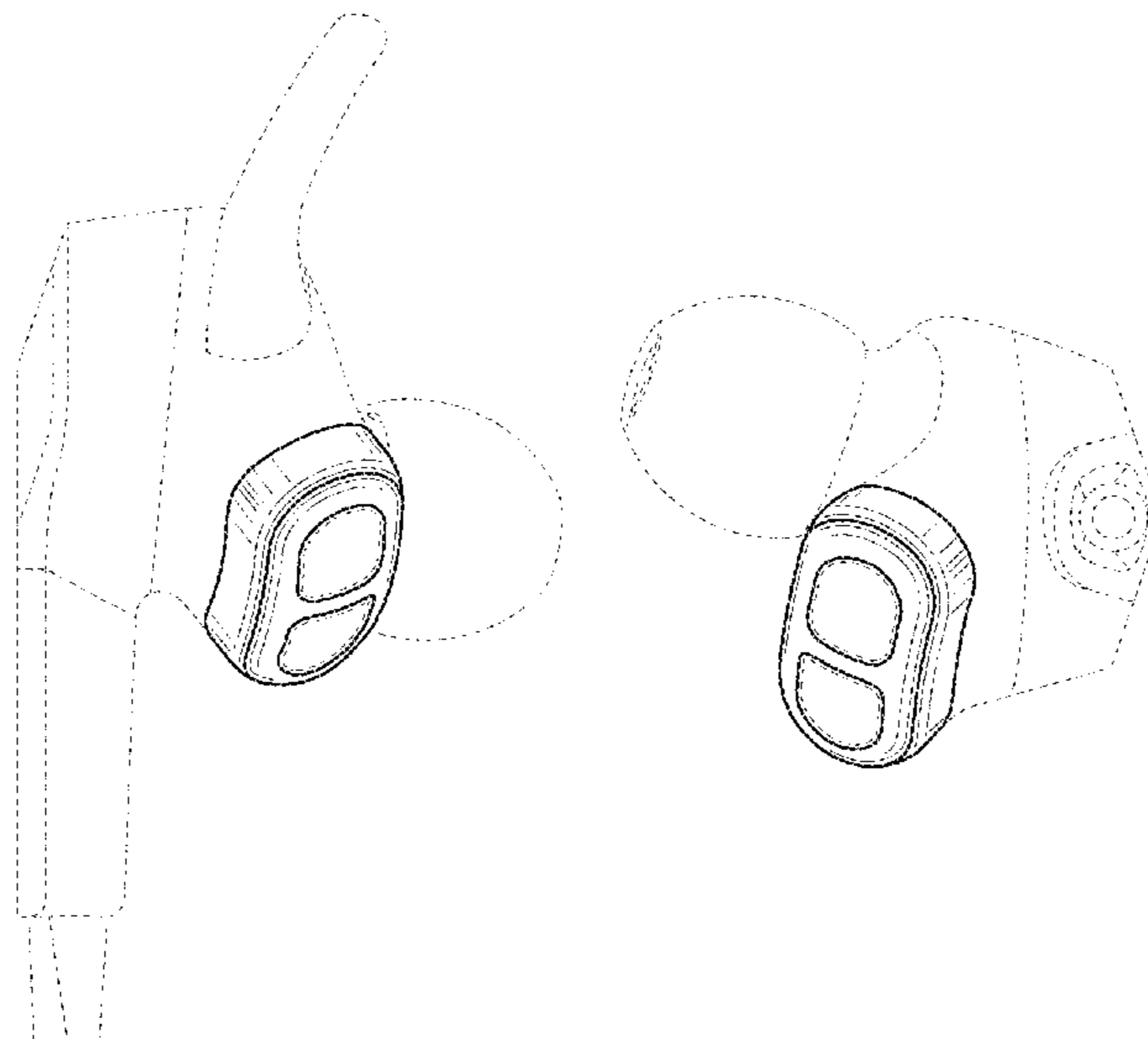
(57) **CLAIM**

The ornamental design for an earphone, as shown and described.

**DESCRIPTION**

FIG. 1 is a front upper perspective view of an earphone showing my new design;  
FIG. 2 is a rear upper perspective view thereof;  
FIG. 3 is a front lower perspective view thereof;  
FIG. 4 is a rear lower perspective view thereof;  
FIG. 5 is a side perspective view thereof;  
FIG. 6 is a side perspective view of the other side thereof; and,  
FIG. 7 is another side perspective view thereof.  
The features shown in broken lines depict environmental subject matter only and form no part of the claimed design. To the extent any of the embodiments are incompletely shown in the figures for that embodiment, it is understood that the remaining parts of the disclosure for that embodiment are to be taken from the remaining figures.

**1 Claim, 4 Drawing Sheets**



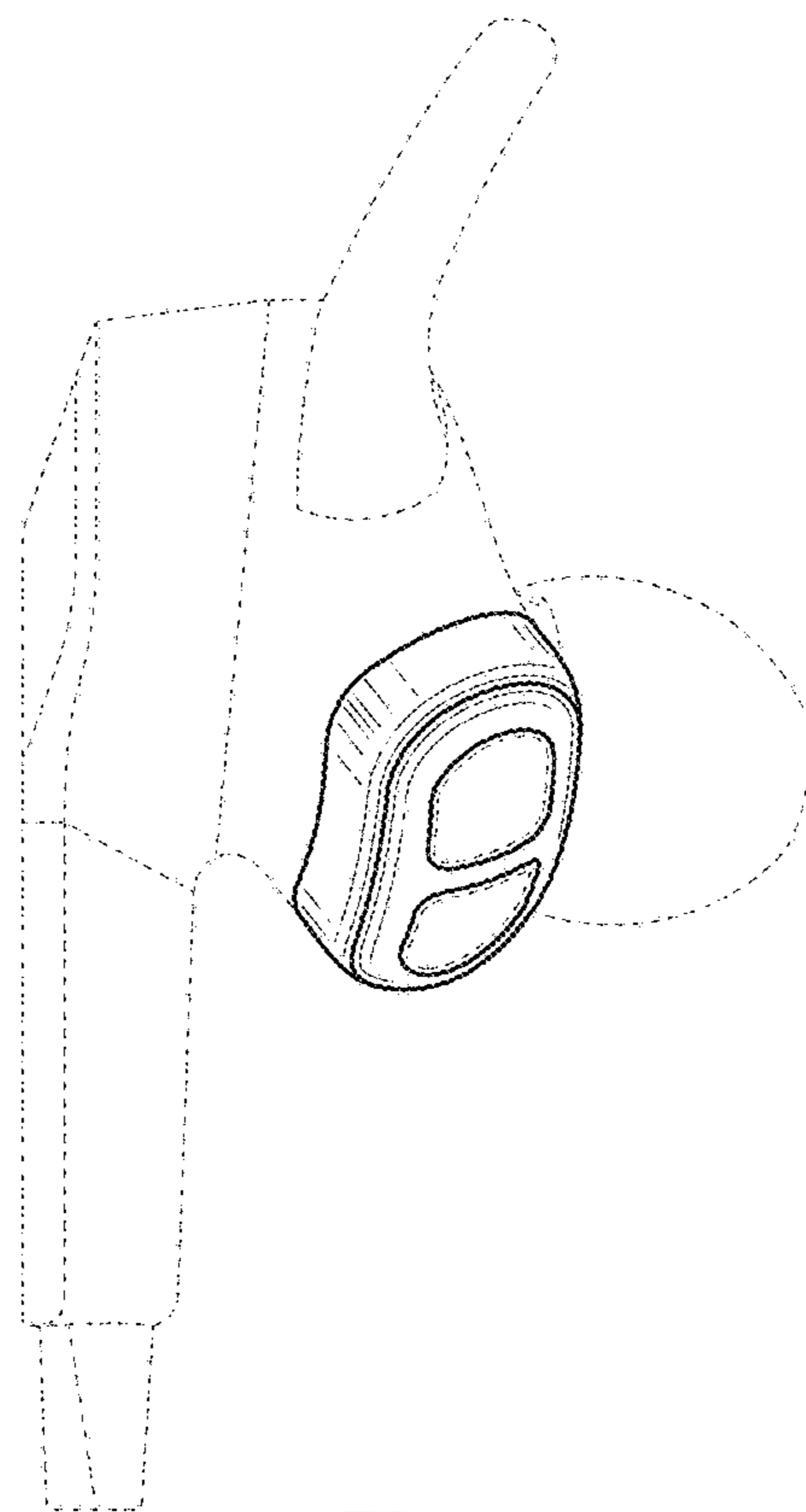
(56)

## References Cited

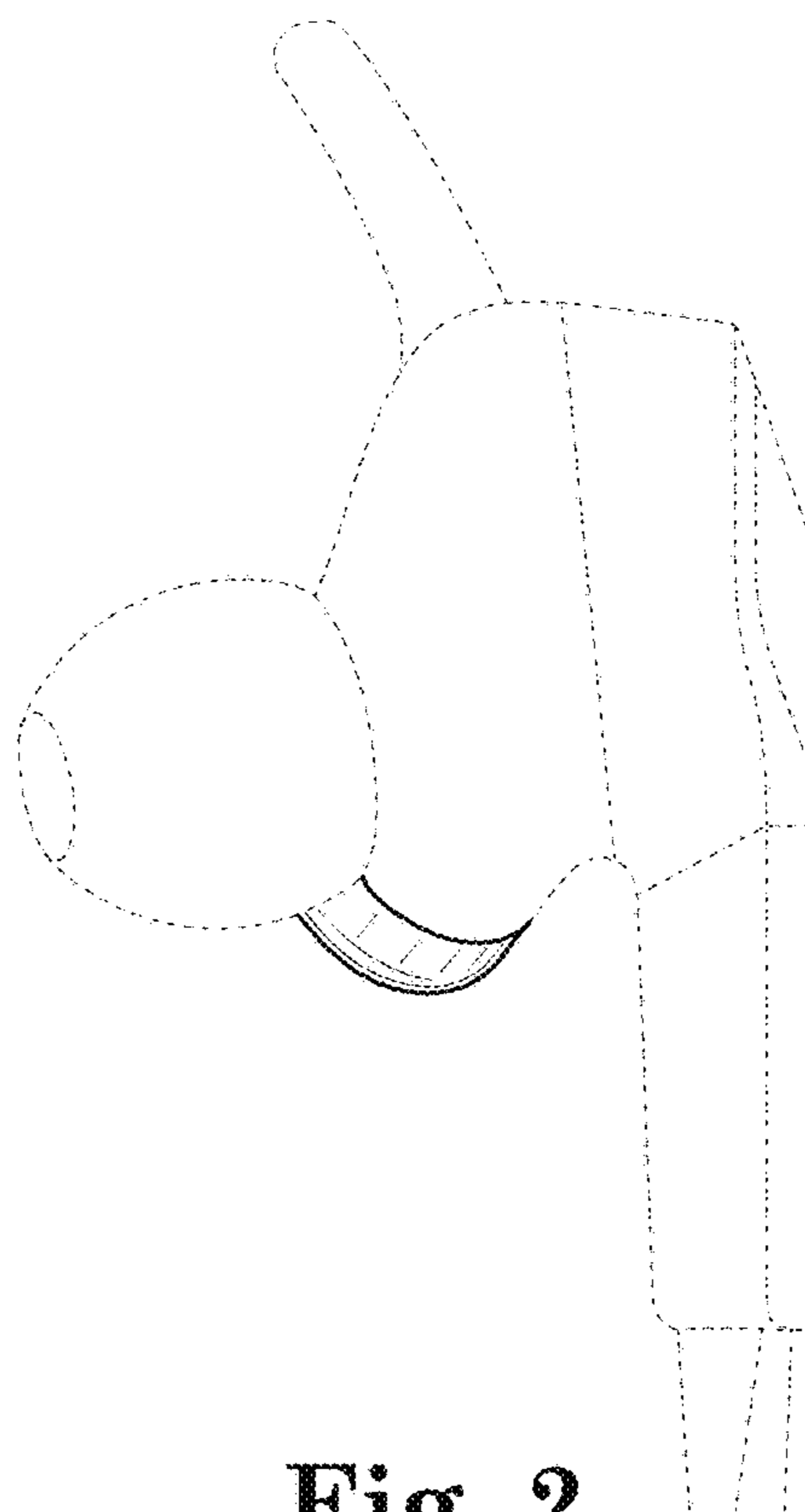
## U.S. PATENT DOCUMENTS

D674,373 S \* 1/2013 Combs ..... D14/205  
D675,778 S \* 2/2013 Vetu ..... D28/50  
D683,332 S \* 5/2013 Lee ..... D14/223  
D686,597 S \* 7/2013 Lee ..... D14/223  
D694,220 S \* 11/2013 Lee ..... D14/223  
D695,721 S \* 12/2013 Thompson ..... D14/223  
D697,058 S \* 1/2014 Thompson ..... D14/205  
D698,762 S \* 2/2014 Zheng ..... D14/223  
D698,848 S \* 2/2014 Uemachi ..... D16/219  
D701,195 S \* 3/2014 Katsumata ..... D14/223  
8,712,087 B2 \* 4/2014 Ozawa ..... H04R 1/345  
181/130  
D707,652 S \* 6/2014 Brunner ..... D14/205  
D712,882 S \* 9/2014 Wang ..... D14/223  
D714,260 S \* 9/2014 Han ..... D14/223  
8,831,266 B1 \* 9/2014 Huang ..... H04R 1/1091  
381/370  
D728,533 S \* 5/2015 Poulsen ..... D14/223  
D732,508 S \* 6/2015 Funayama ..... D14/223  
D732,509 S \* 6/2015 Brunner ..... D14/223  
D733,101 S \* 6/2015 Pi ..... D14/223  
D733,103 S \* 6/2015 Jeong ..... D14/224  
D740,255 S \* 10/2015 Samrelius ..... D14/206  
D742,860 S \* 11/2015 Miyake ..... D14/223  
D758,355 S \* 6/2016 Lee ..... D14/223  
D761,760 S \* 7/2016 Poulsen ..... D14/205  
D762,196 S \* 7/2016 Hsieh ..... D14/223  
2011/0211723 A1 \* 9/2011 Annunziato ..... H04R 1/2842  
381/380  
2016/0249133 A1 \* 8/2016 Sorensen ..... H04R 1/1041

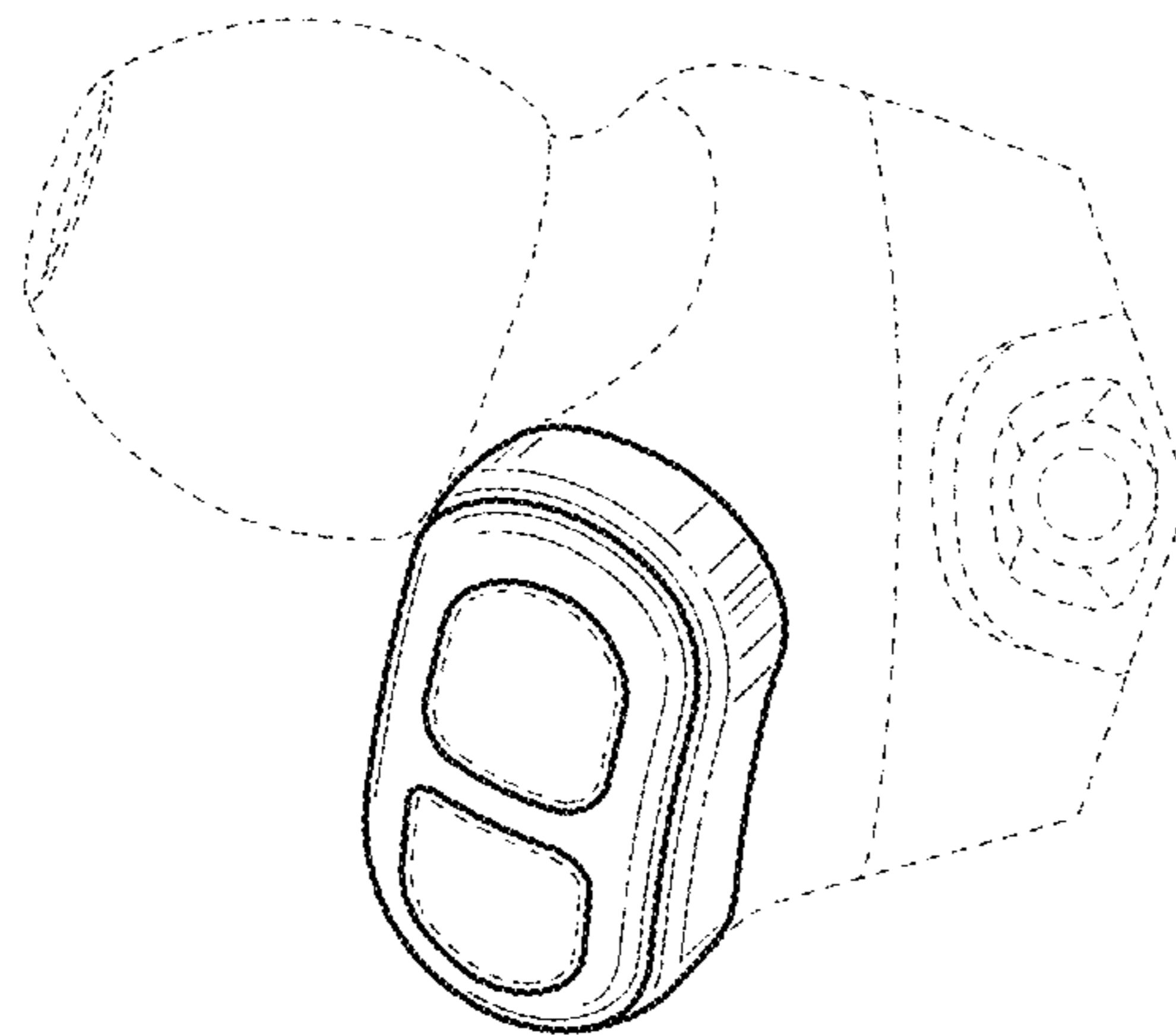
\* cited by examiner



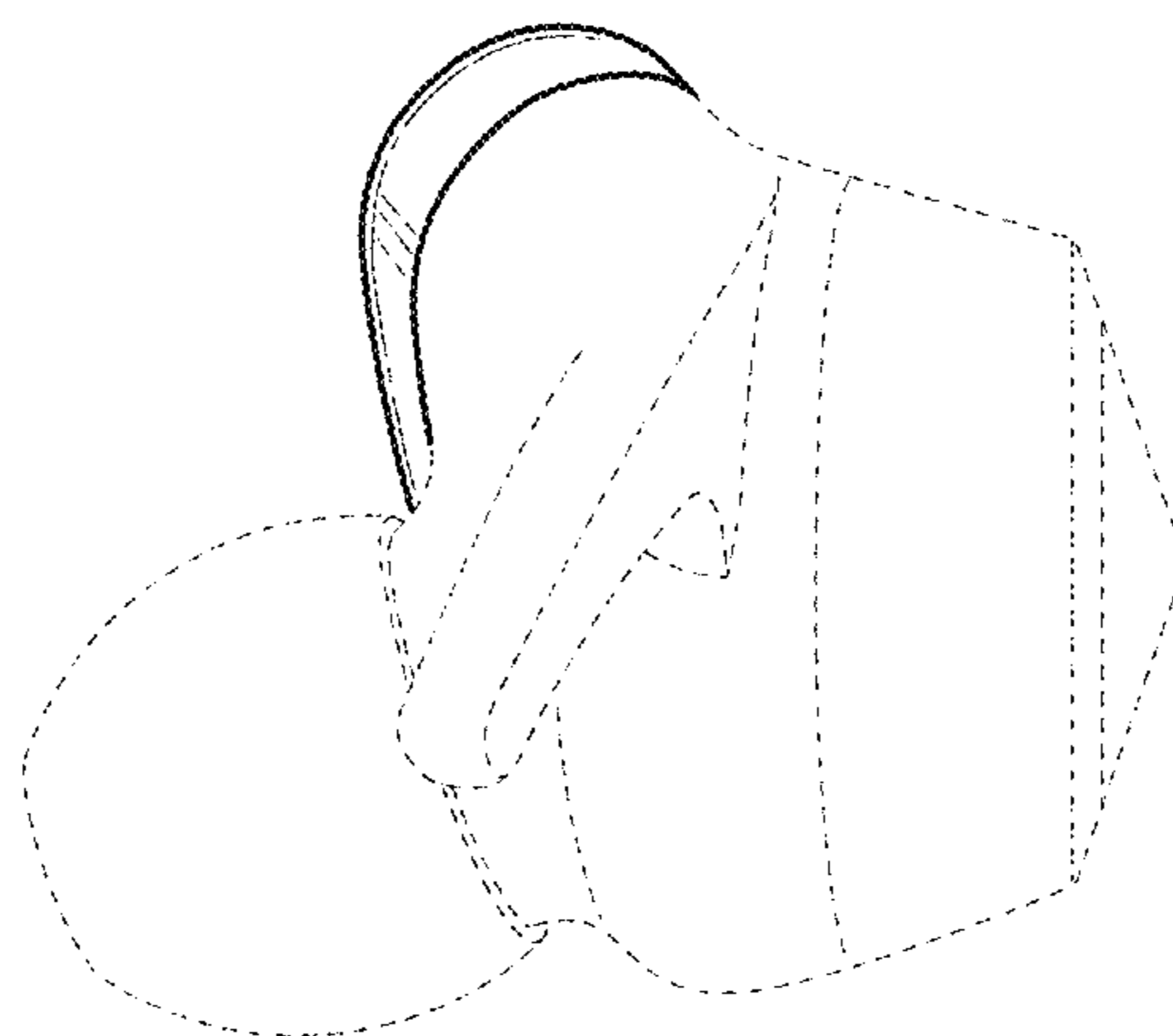
**Fig. 1**



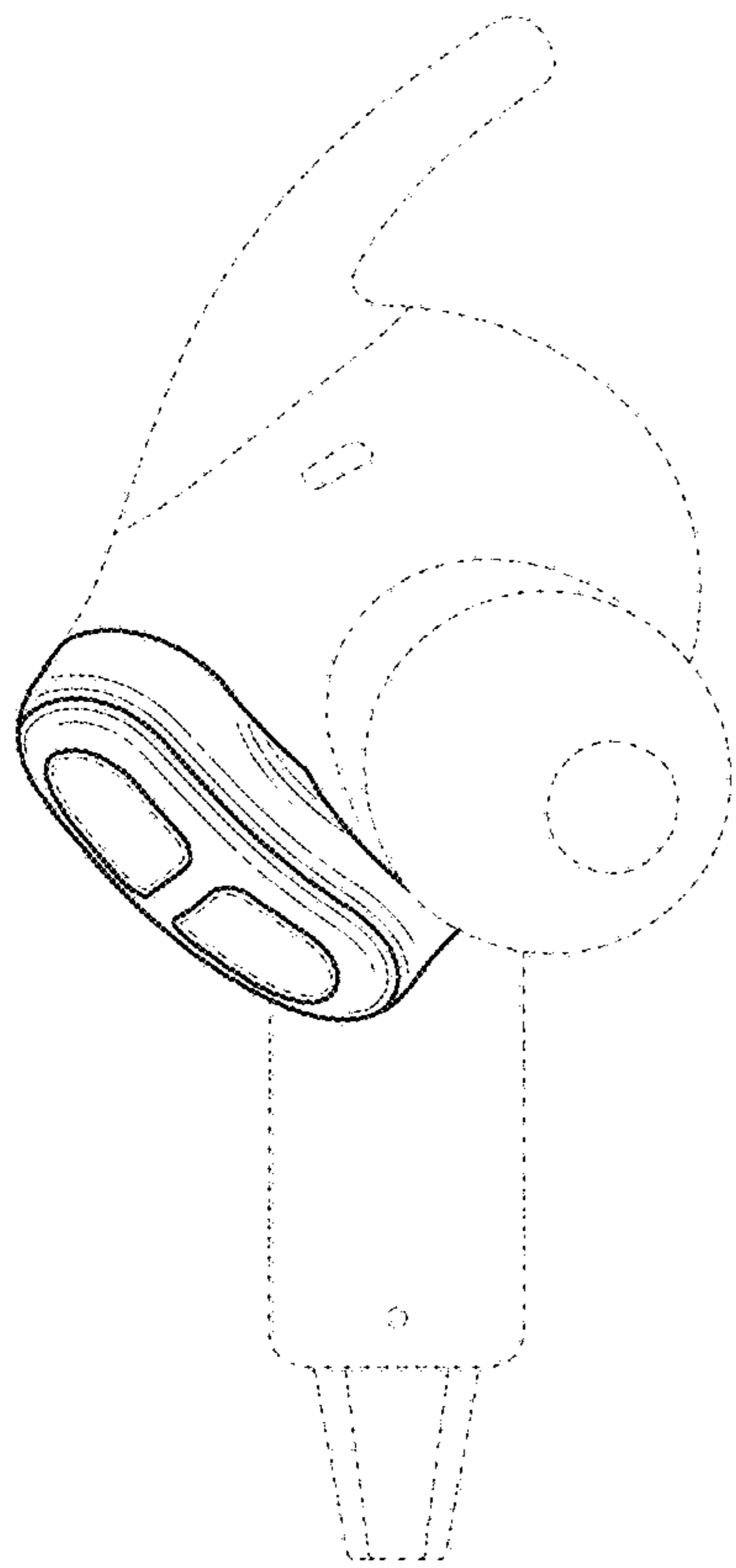
**Fig. 2**



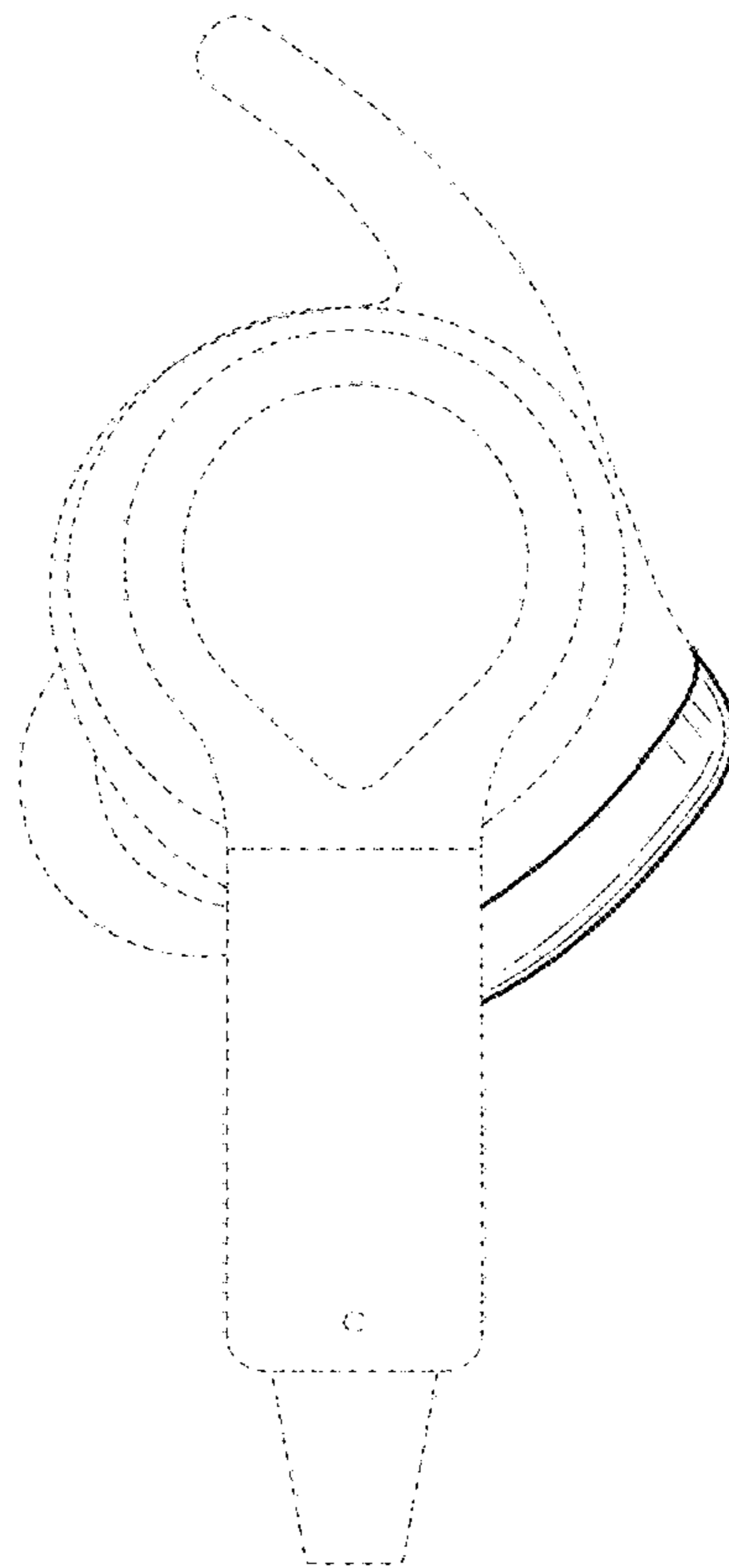
**Fig. 3**



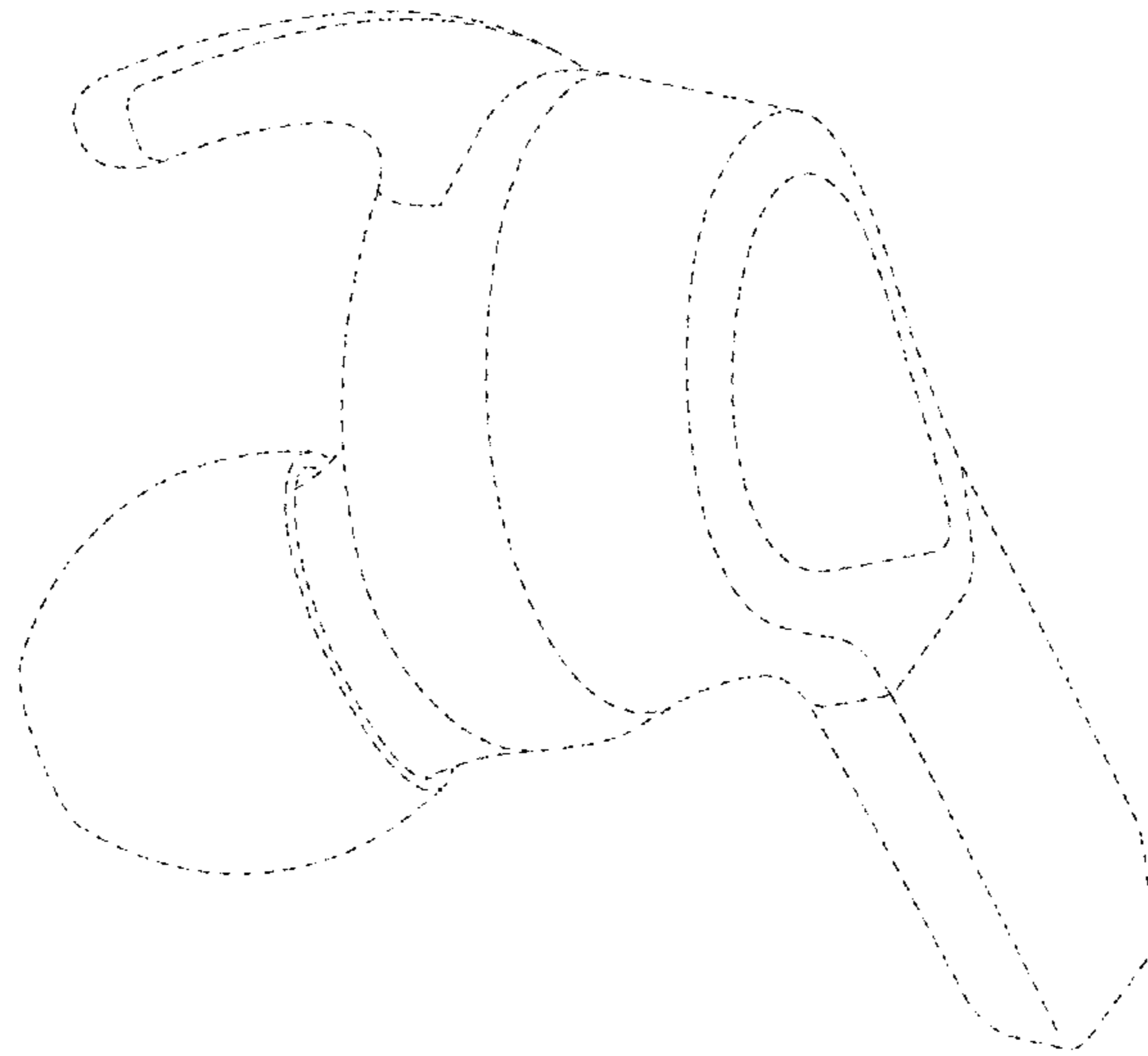
**Fig. 4**



**Fig. 5**



**Fig. 6**



**Fig. 7**