



US00D786830S

(12) **United States Design Patent** (10) **Patent No.:** **US D786,830 S**
Plattard (45) **Date of Patent:** **** May 16, 2017**

(54) **MIXER**

(71) Applicant: **YAMAHA CORPORATION**,
Hamamatsu-shi (JP)

(72) Inventor: **Yves Plattard**, Hamamatsu (JP)

(73) Assignee: **YAMAHA CORPORATION**,
Hamamatsu-shi (JP)

(**) Term: **15 Years**

(21) Appl. No.: **29/559,979**

(22) Filed: **Apr. 1, 2016**

(51) **LOC (10) Cl.** **14-03**

(52) **U.S. Cl.**
USPC **D14/217**

(58) **Field of Classification Search**
USPC D14/217, 257, 258, 434, 496, 162, 167,
D14/175, 188, 196-198
CPC ... G06F 1/1626; G06F 1/1688; G10L 19/008;
G10L 19/167; H03G 3/00; H03G 3/04;
H03G 3/3005; H03G 3/3089; H03G 5/00;
H03G 5/005; H03G 5/025; H03G 9/18;
G11B 19/02; G11B 20/10527; G11B
27/00; G11B 27/34; G11B 27/031; G11B
27/034; G11B 27/038; G11B 27/105;
G11B 33/025; H04R 3/00; H04R 3/005;
H04R 5/04; H04R 2205/021; H04R
2499/11

See application file for complete search history.

(56) **References Cited**

U.S. PATENT DOCUMENTS

D591,720 S *	5/2009	Motoishi	D14/168
D690,683 S *	10/2013	Olswang	D14/217
D691,588 S *	10/2013	Plattard	D14/217
D715,266 S *	10/2014	Olswang	D14/217
D760,698 S *	7/2016	Jung	D14/188
D763,827 S *	8/2016	McMillen	D14/217
D769,226 S *	10/2016	Ito	D14/217

* cited by examiner

Primary Examiner — Brandon M Rosati

Assistant Examiner — Khawaja Anwar

(74) *Attorney, Agent, or Firm* — Sughrue Mion, PLLC

(57) **CLAIM**

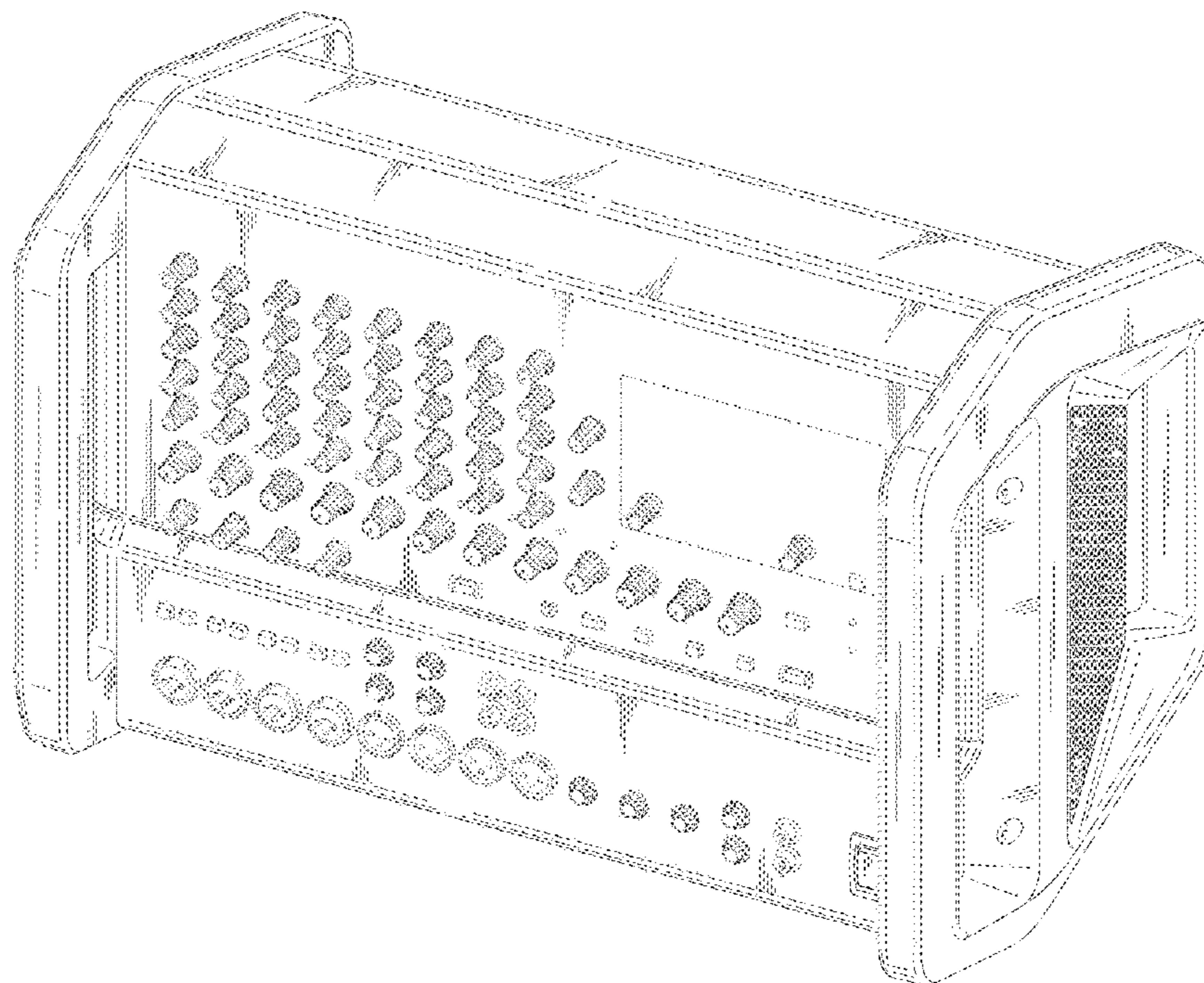
The ornamental design for a mixer, as shown and described.

DESCRIPTION

FIG. 1 is a perspective view of the front, top and right side of a mixer showing my new design;
FIG. 2 is a front view thereof;
FIG. 3 is a rear view thereof;
FIG. 4 is a left side view thereof;
FIG. 5 is a right side view thereof,
FIG. 6 is a top plan view thereof; and,
FIG. 7 is a bottom view thereof.

The broken lines shown throughout the drawings represent unclaimed portions of the mixer and form no part of the claimed design.

1 Claim, 6 Drawing Sheets



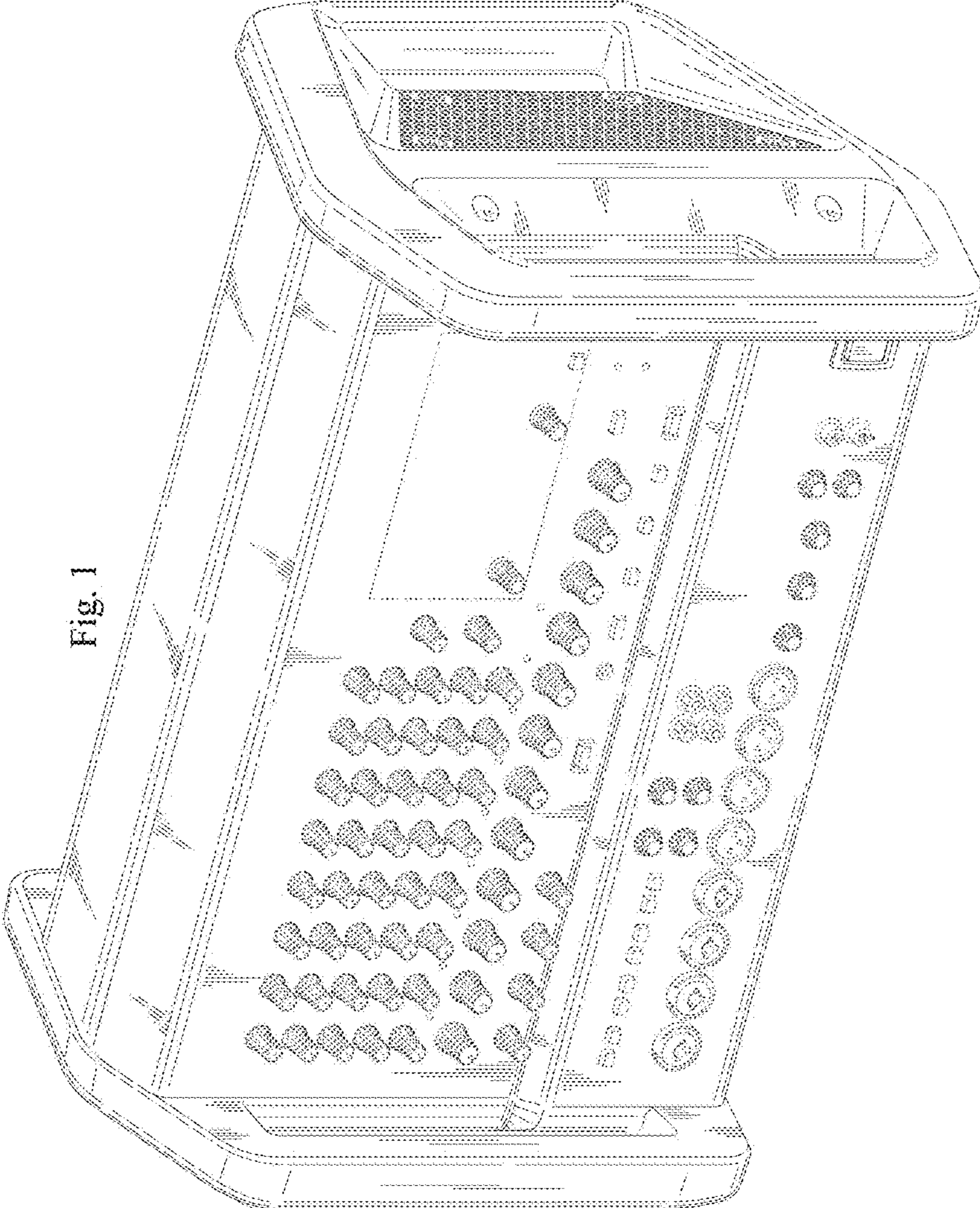


Fig. 1

Fig. 2

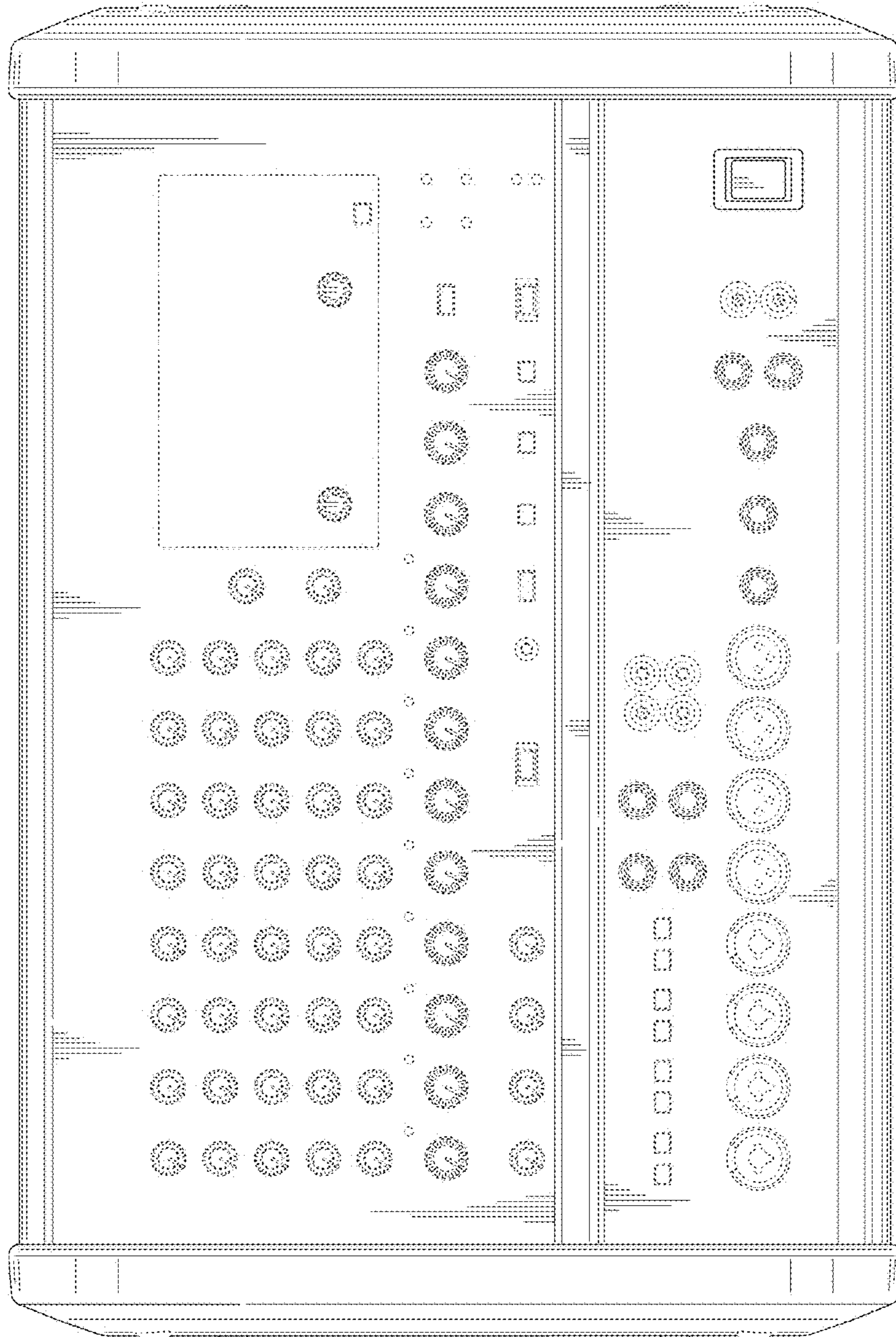


Fig. 3

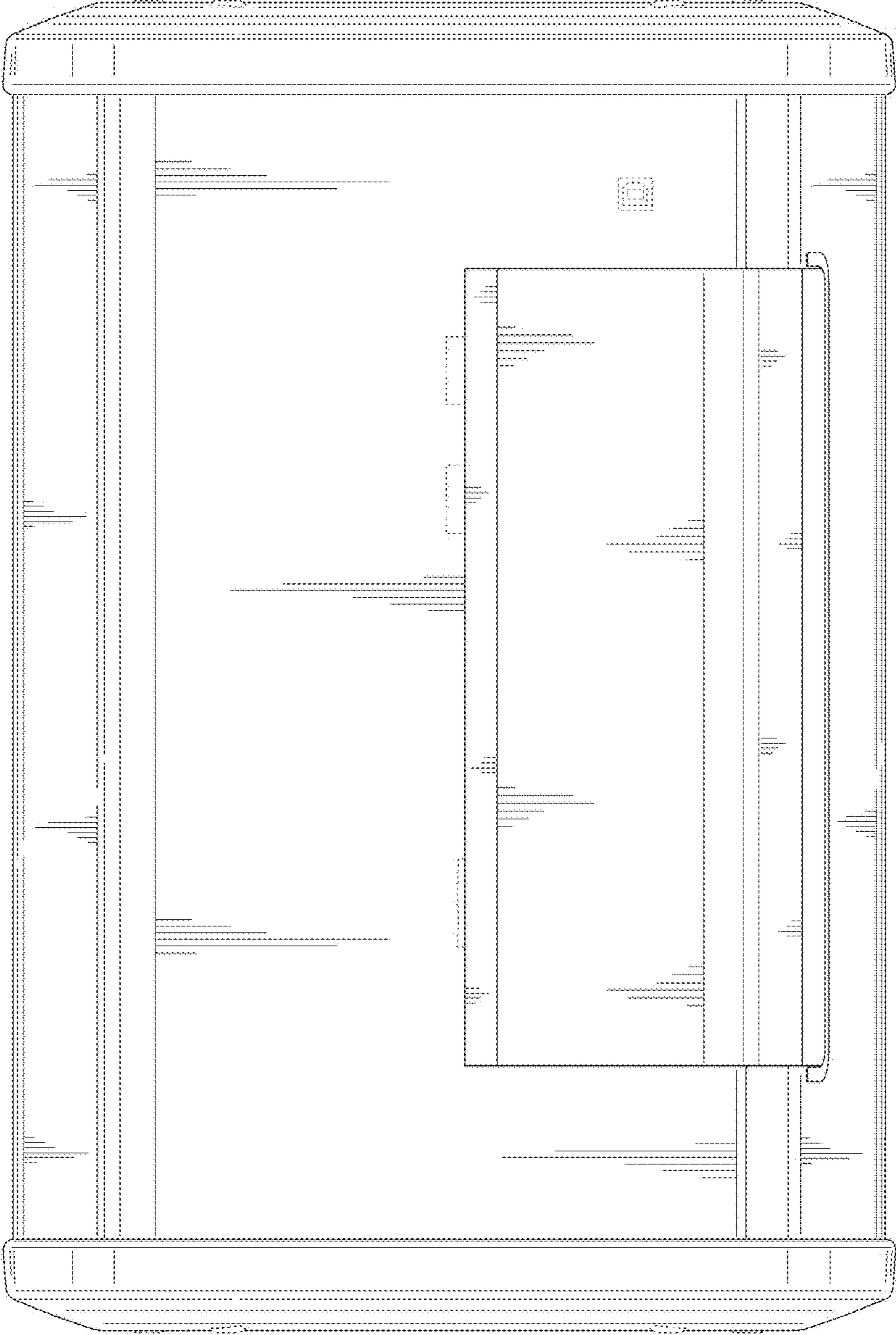


Fig. 5

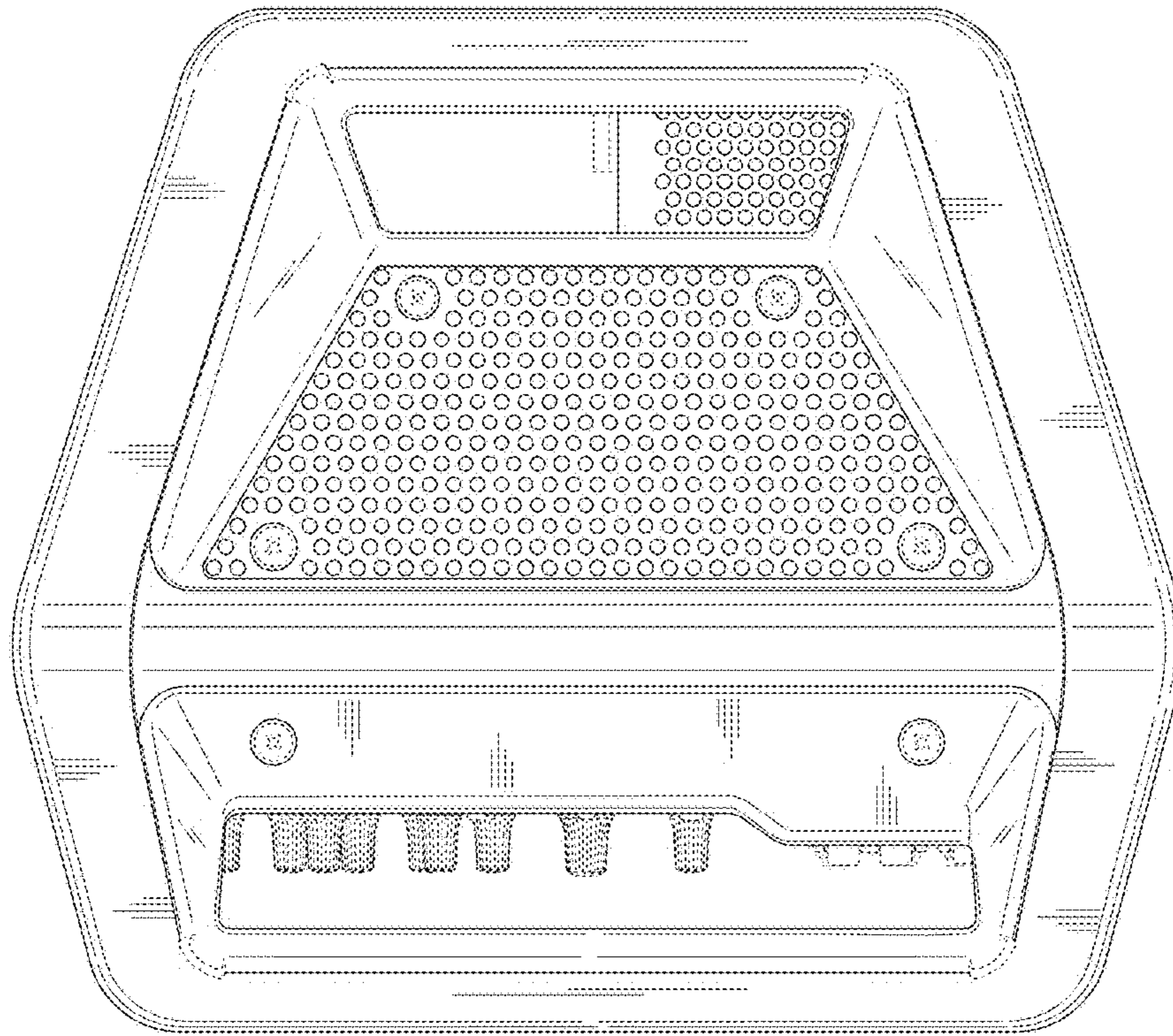


Fig. 4

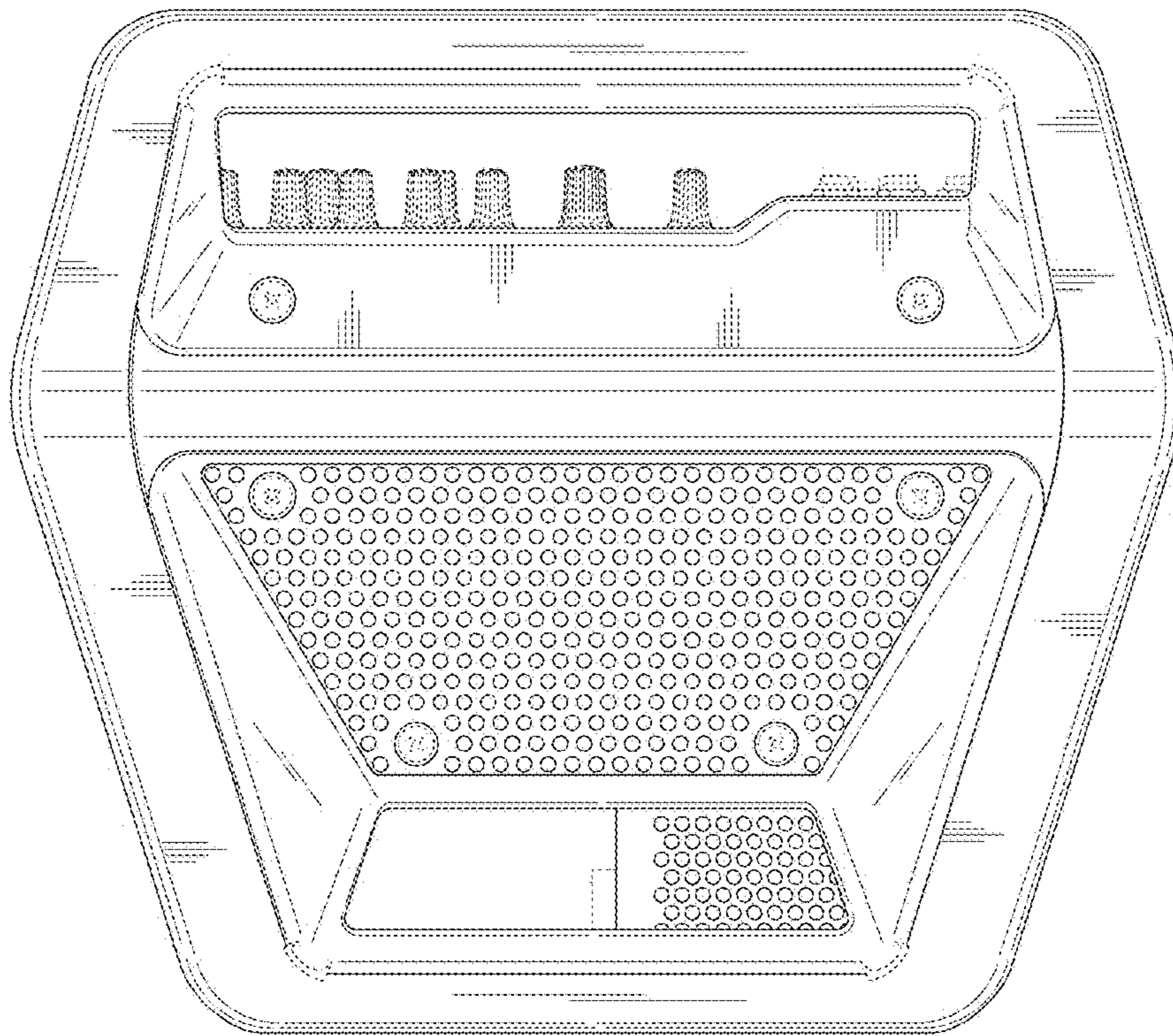


Fig. 6

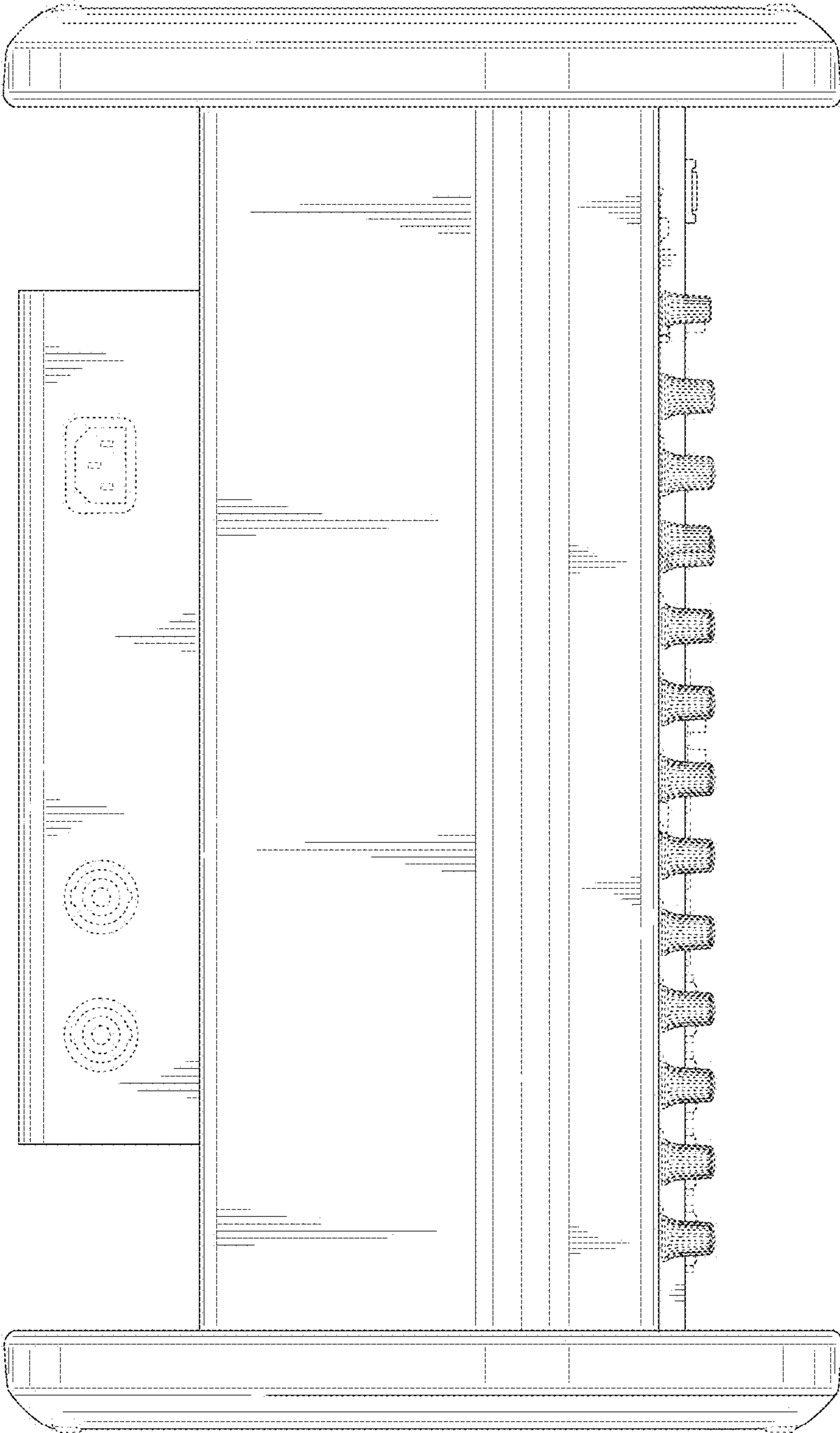


Fig. 7

