

US00D786826S

(12) **United States Design Patent**
Esses

(10) **Patent No.:** **US D786,826 S**

(45) **Date of Patent:** **** May 16, 2017**

(54) **HEADSET**

(71) Applicant: **Premier Accessory Group LLC**,
Edison, NJ (US)

(72) Inventor: **Alfred Esses**, Brooklyn, NY (US)

(73) Assignee: **Premier Accessory Group LLC**,
Edison, NJ (US)

(**) Term: **15 Years**

(21) Appl. No.: **29/580,501**

(22) Filed: **Oct. 10, 2016**

(51) **LOC (10) Cl.** **14-01**

(52) **U.S. Cl.**
USPC **D14/206**

(58) **Field of Classification Search**
USPC D14/206, 205, 142, 372; D29/112;
2/209; 181/129, 130, 135; 379/430, 431,
379/428.02; 381/330, 370, 382, 378, 379,
381/384, 374, 375, 376, 74
CPC H04R 1/10; H04R 1/02; H04R 25/00; H04M
1/00; H04M 1/02
See application file for complete search history.

(56) **References Cited**

U.S. PATENT DOCUMENTS

- 2,586,644 A * 2/1952 Gilbert H04R 5/0335
381/370
- 4,484,029 A * 11/1984 Kenney H04M 1/6066
379/430
- 5,113,428 A * 5/1992 Fitzgerald H04B 1/3816
379/430
- D337,116 S * 7/1993 Hattori D14/206
- D340,033 S * 10/1993 Okumura D14/192
- D344,730 S * 3/1994 Gattey D14/206
- D346,380 S * 4/1994 Fitzgerald D14/138 R
- 5,381,486 A * 1/1995 Ludeke H04R 1/08
16/367
- D364,617 S * 11/1995 Fitzgerald D14/142

- 5,469,505 A * 11/1995 Gattey H04M 1/05
379/430
- D377,020 S * 12/1996 Bungardt D14/205
- D394,058 S * 5/1998 Fitzgerald D14/142
- D394,436 S * 5/1998 Hall D14/206
- D394,437 S * 5/1998 Landreth D14/206

(Continued)

FOREIGN PATENT DOCUMENTS

- AU 133677 5/1998
- CA 103947 6/2004

OTHER PUBLICATIONS

Evolve 40 UC MonoHD Audio PC Headset with Microphone,
JABRA, www.jabra.com, Sep. 19, 2016.

(Continued)

Primary Examiner — Paula Greene

(74) *Attorney, Agent, or Firm* — Gottlieb, Rackman &
Reisman, PC

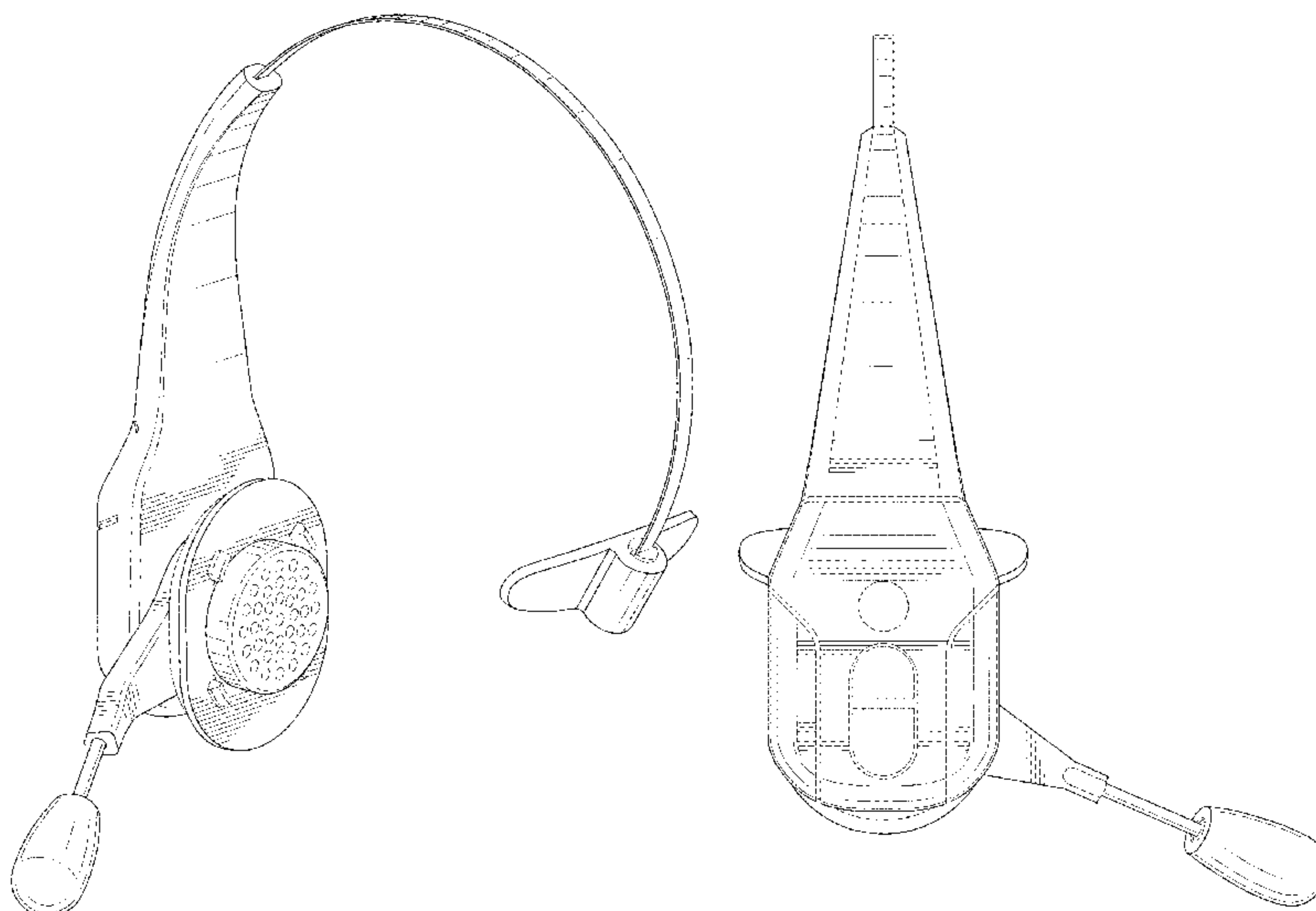
(57) **CLAIM**

The ornamental design for a headset, as shown and
described.

DESCRIPTION

FIG. 1 is a first perspective view of a headset showing my
new design;
FIG. 2 is a second perspective thereof;
FIG. 3 is a front elevation view thereof;
FIG. 4 is a rear elevation view thereof;
FIG. 5 is a left side elevation view thereof;
FIG. 6 is a right side elevation view thereof;
FIG. 7 is a top plan view thereof; and,
FIG. 8 is a bottom plan view thereof.
The broken lines shown in the drawings are included for the
purpose of illustrating portions of the headset that form no
part of the claimed design.

1 Claim, 8 Drawing Sheets



(56)

References Cited

U.S. PATENT DOCUMENTS

5,794,127 A * 8/1998 Lansang H04R 1/1041
 340/12.5
 D405,786 S * 2/1999 Leifer D14/142
 D416,921 S * 11/1999 Cheng D15/146
 6,154,539 A * 11/2000 Pitel H04M 1/05
 379/430
 D436,348 S * 1/2001 McGugan D14/142
 D443,870 S 6/2001 Carpenter et al.
 6,356,635 B1 * 3/2002 Lyman H04M 1/05
 379/430
 D458,247 S * 6/2002 Davies D14/206
 6,622,029 B1 * 9/2003 Skulley H04M 1/05
 379/430
 D482,019 S * 11/2003 Petersen D14/206
 D488,146 S 4/2004 Minto
 6,754,361 B1 6/2004 Hall et al.
 D498,470 S * 11/2004 Skulley D14/206
 6,952,481 B2 10/2005 Larsen et al.
 D514,086 S * 1/2006 Skulley D14/206
 D517,528 S * 3/2006 Skulley D14/206
 D530,702 S * 10/2006 Pritchard D14/206
 D531,165 S * 10/2006 Rath D14/206
 D538,785 S * 3/2007 Skulley D14/206
 D540,778 S 4/2007 Thompson et al.
 D587,684 S * 3/2009 Ham D14/205
 7,519,196 B2 * 4/2009 Bech H04R 1/105
 381/370

D597,072 S * 7/2009 Asai D14/206
 D638,000 S * 5/2011 Hoggarth D14/206
 D706,244 S * 6/2014 Goransson D14/225
 D716,258 S * 10/2014 Awiszus D14/206
 D716,259 S * 10/2014 Awiszus D14/206
 D731,458 S * 6/2015 Goransson D14/206
 D732,002 S * 6/2015 Goransson D14/206
 D760,689 S * 7/2016 Gecawicz D14/206
 D760,690 S * 7/2016 Gecawicz D14/206
 9,398,361 B1 7/2016 Jaques et al.
 D763,228 S * 8/2016 Carr D14/206
 2005/0201569 A1 * 9/2005 Kuraoka H04M 1/0289
 381/74
 2012/0163616 A1 * 6/2012 Birch H04M 1/6058
 381/74
 2013/0329905 A1 * 12/2013 Awiszus H04R 1/1058
 381/74
 2016/0198254 A1 * 7/2016 Gecawicz H04R 1/083
 381/375

OTHER PUBLICATIONS

Headset Para, http://produto.mercadolivre.com.br/MLB-710078578-headset-para-telemarketing-callcenter-com-usb-_JM;
 Sep. 19, 2016.
 Roadwarrior Bluetooth Headset; <https://www.headsets.com/headset/roadwarrior-bluetooth-headset/#product-features>; Sep. 19, 2016.

* cited by examiner

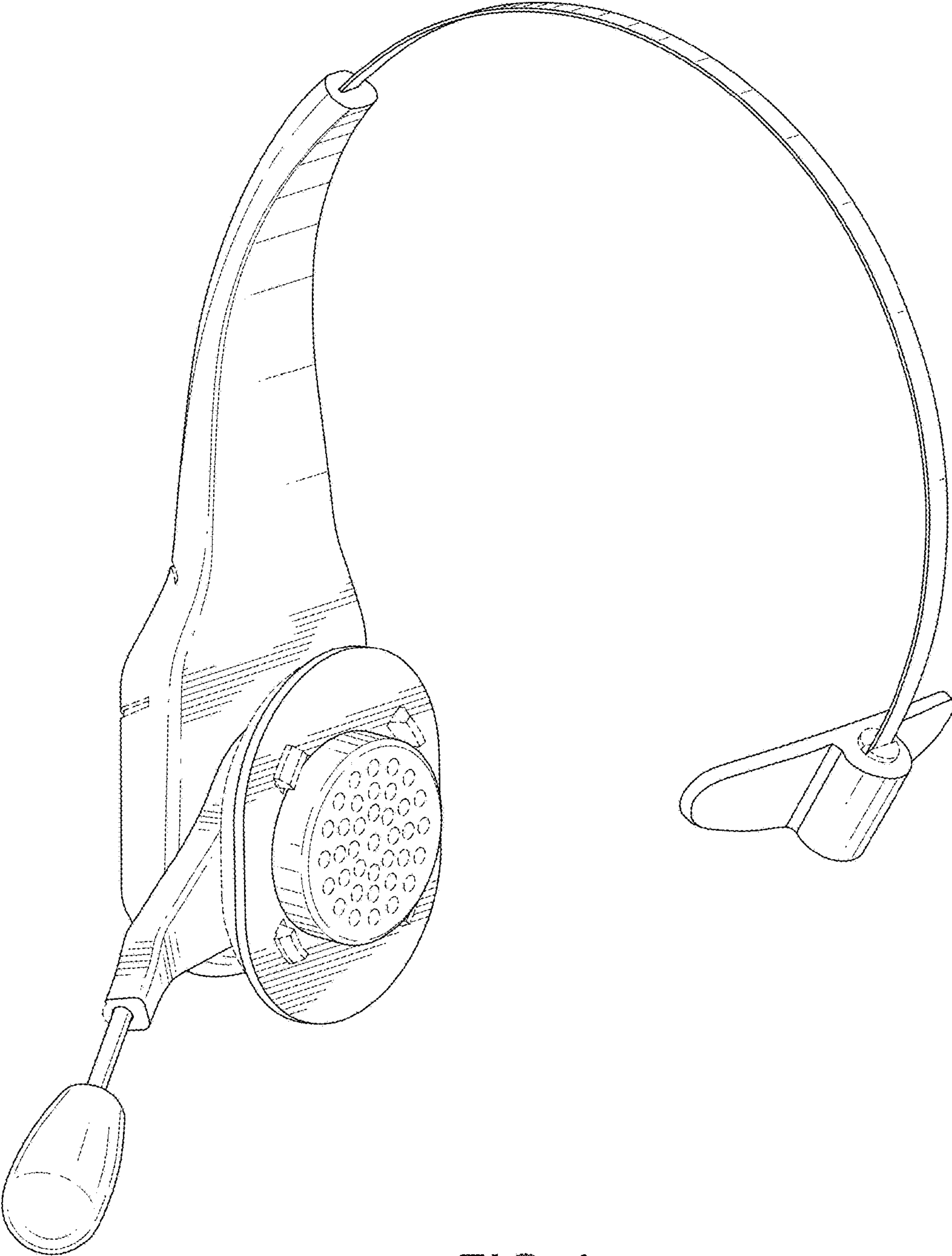


FIG. 1

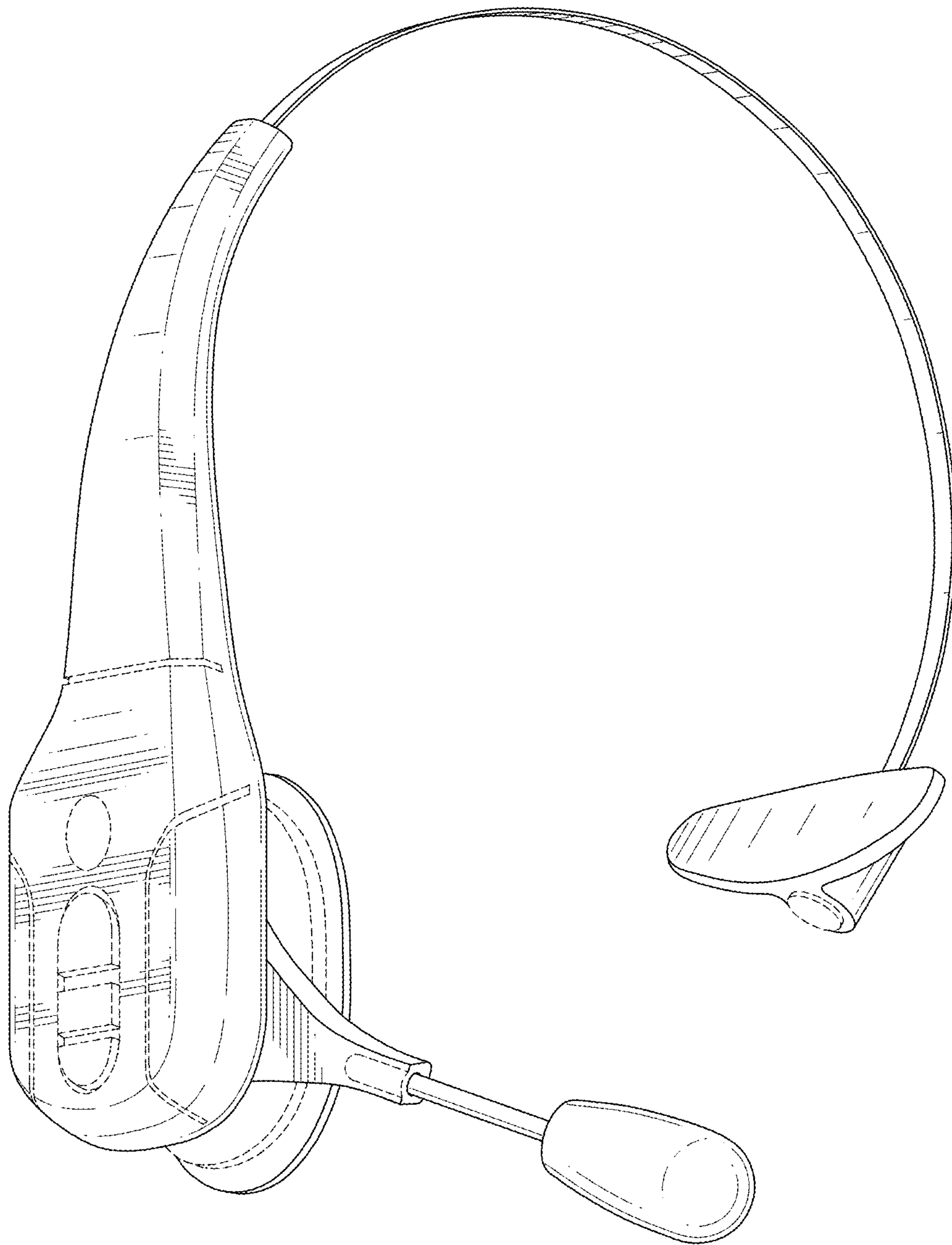


FIG. 2

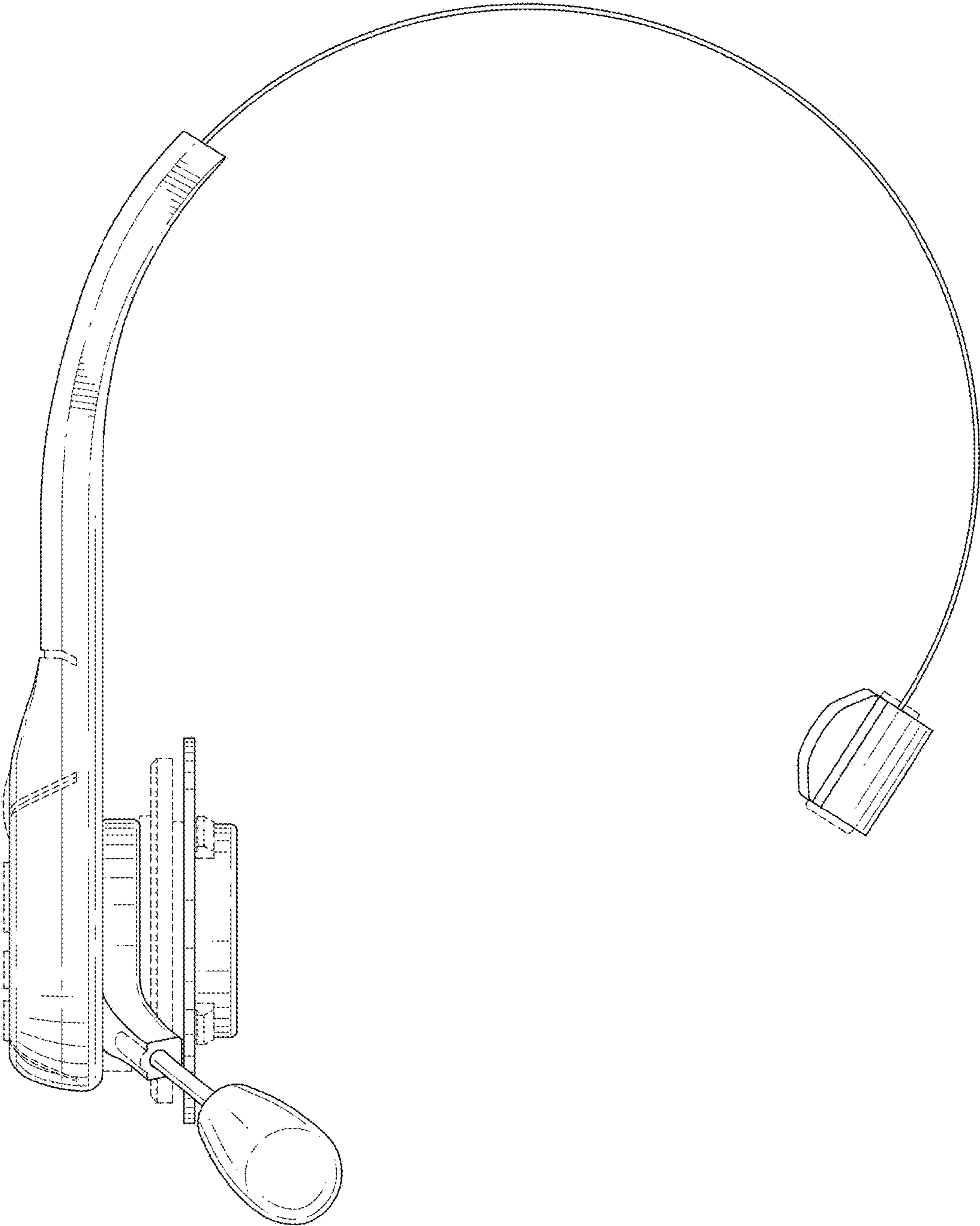


FIG. 3

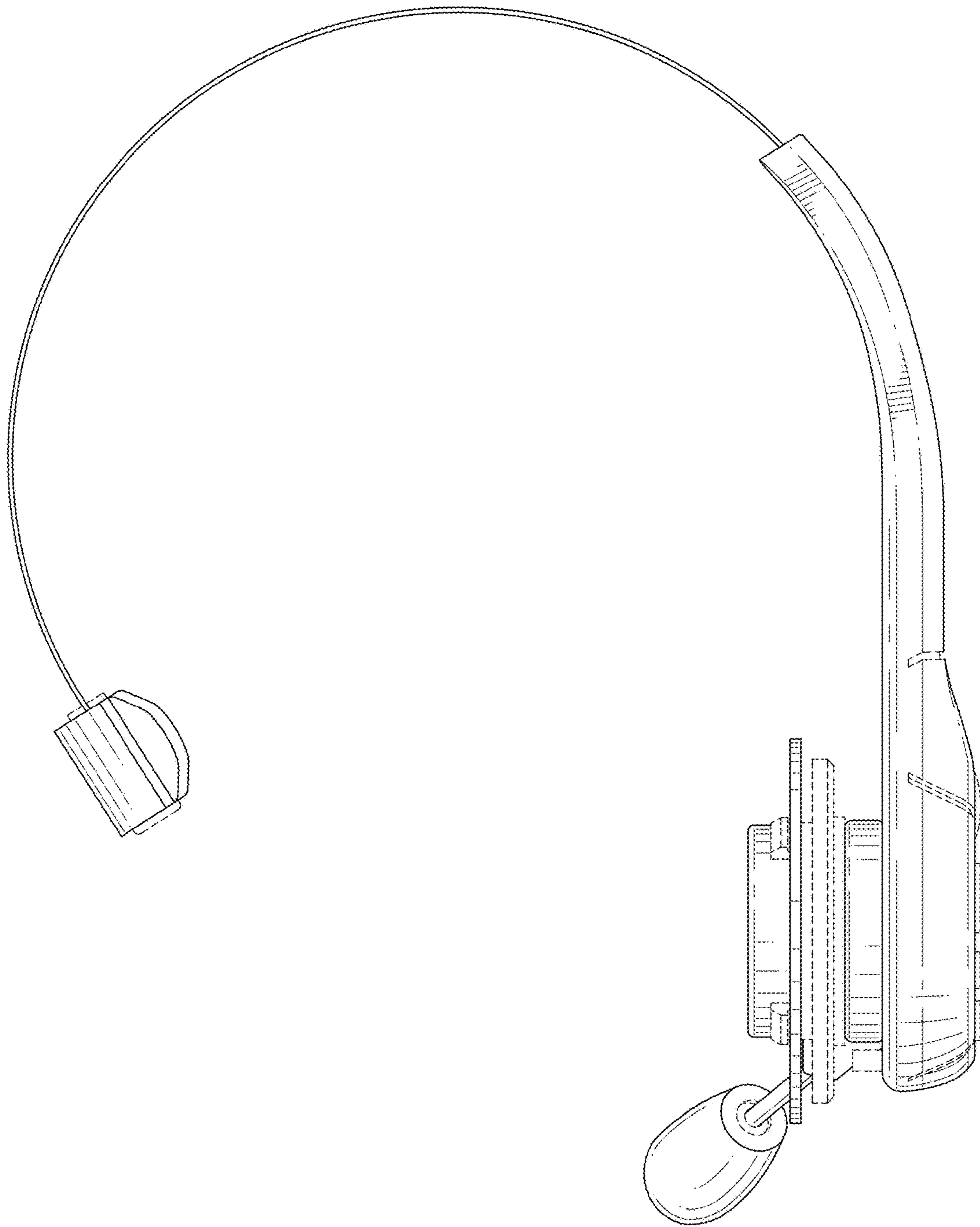


FIG.4

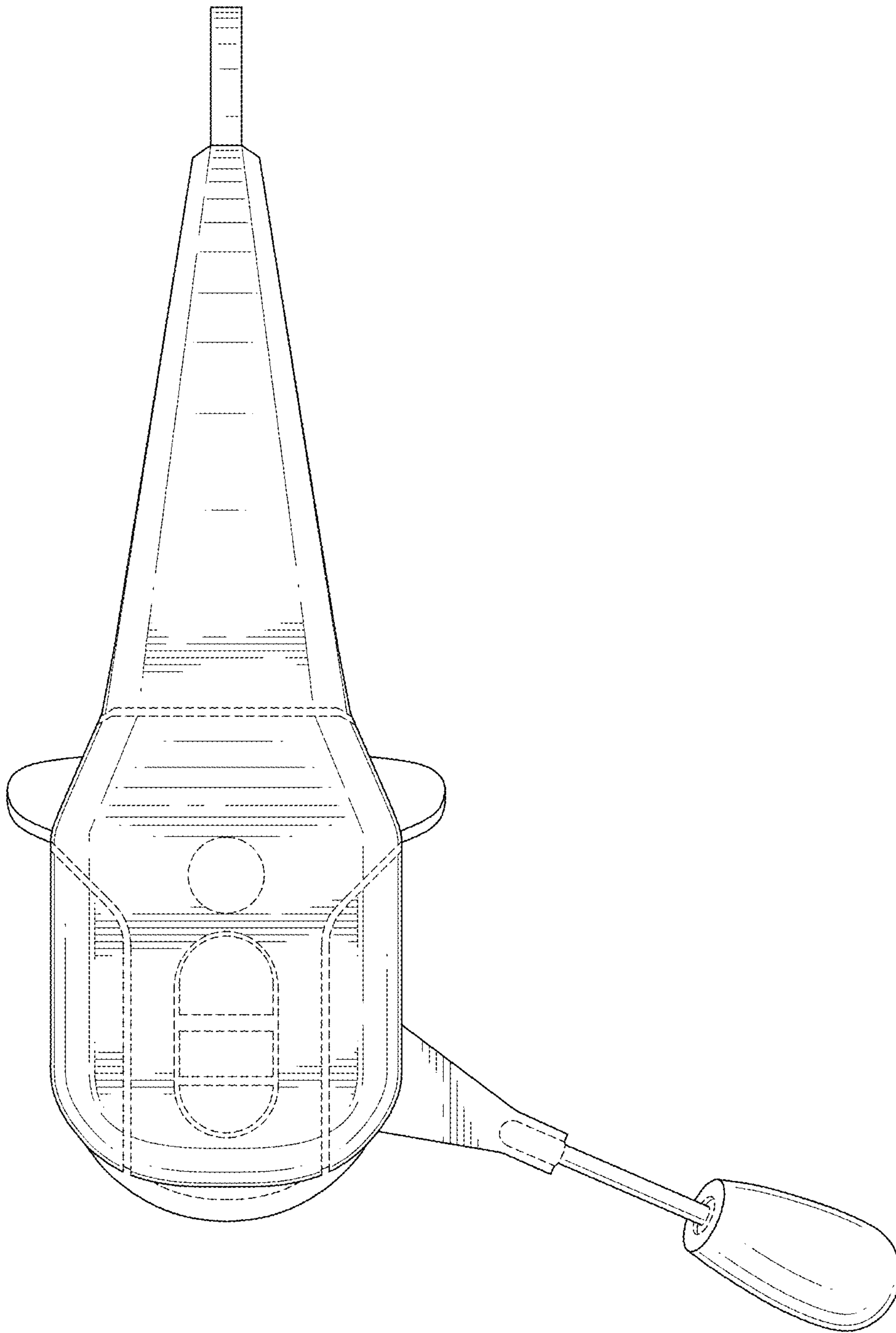


FIG. 5

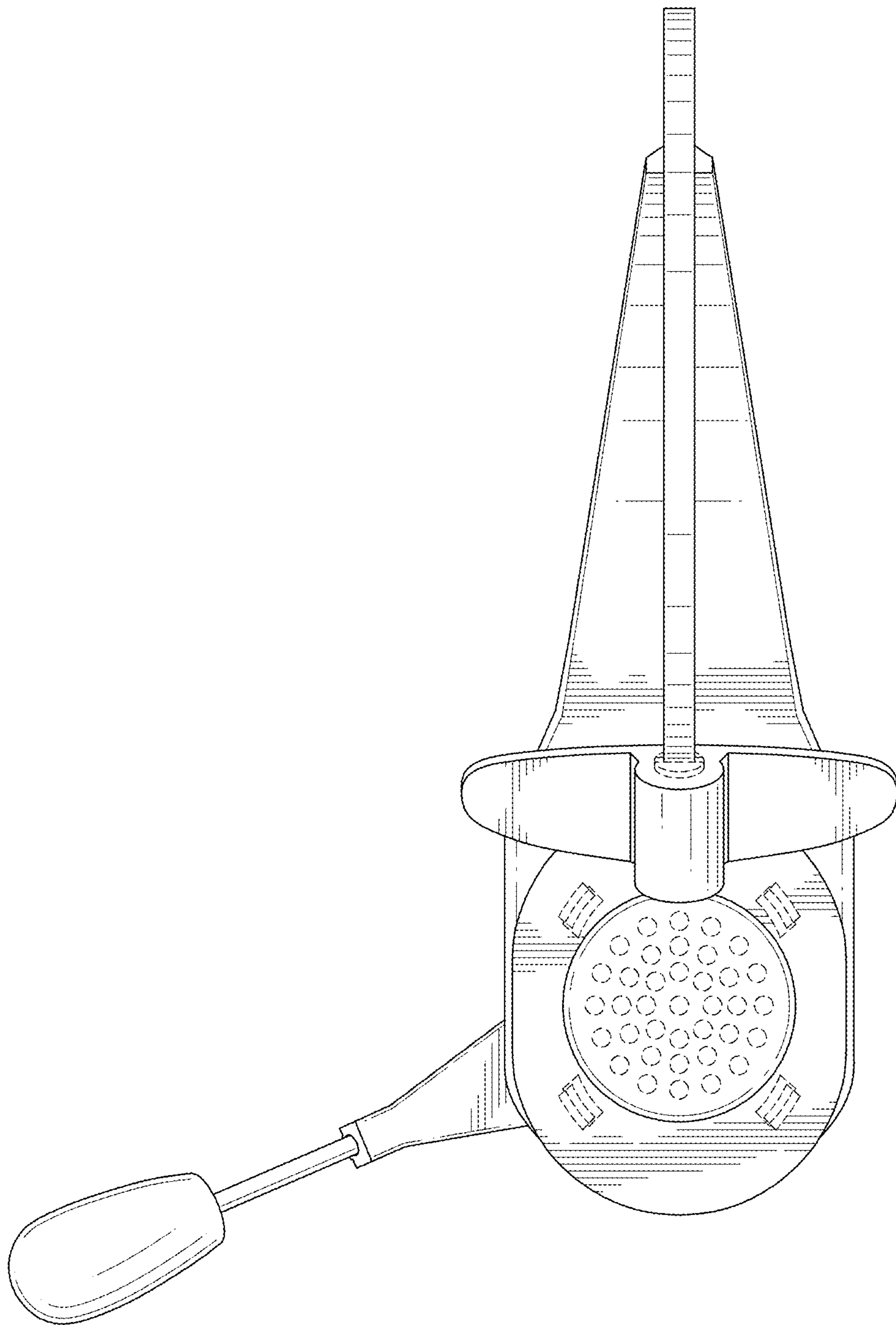


FIG.6

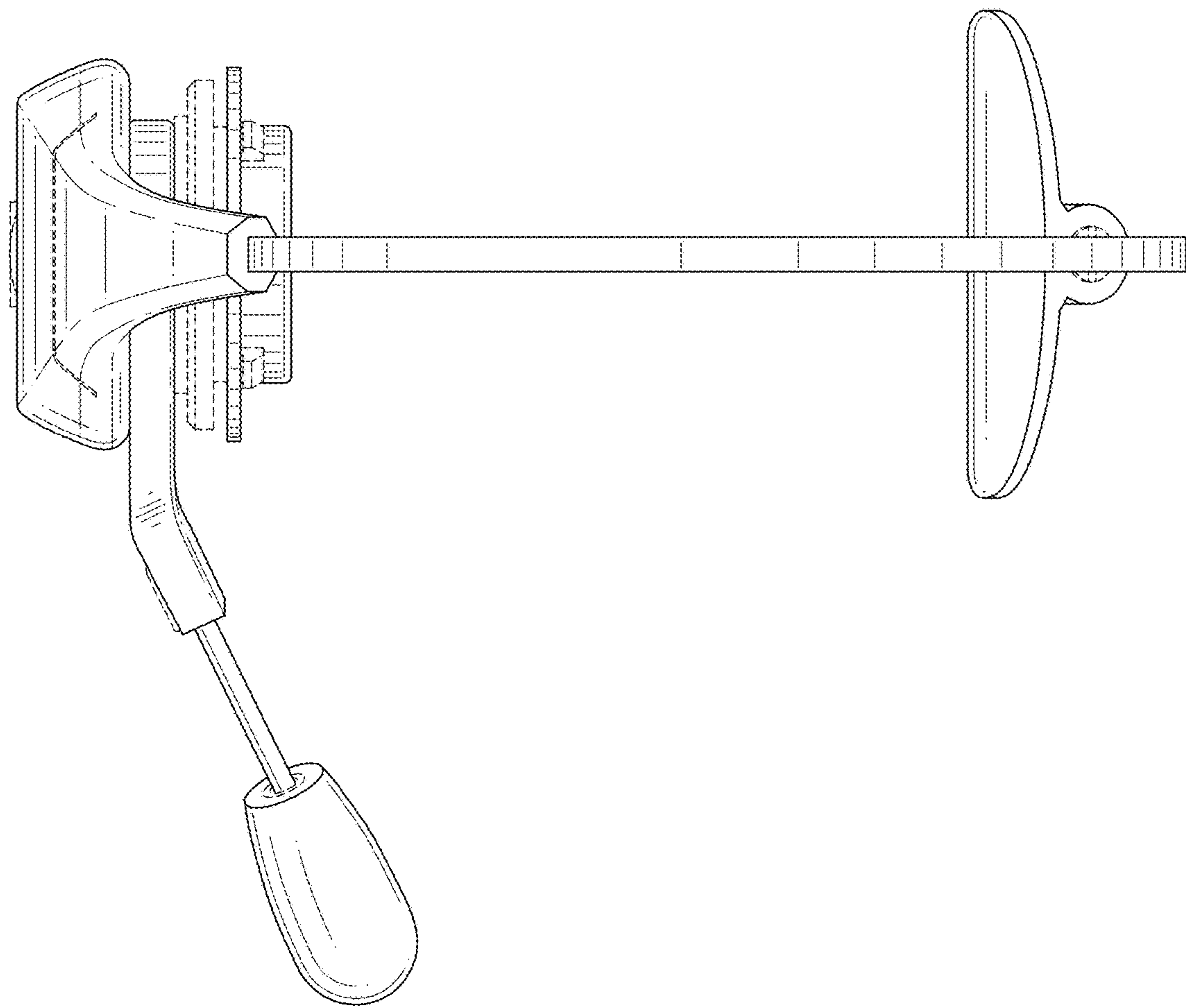


FIG. 7

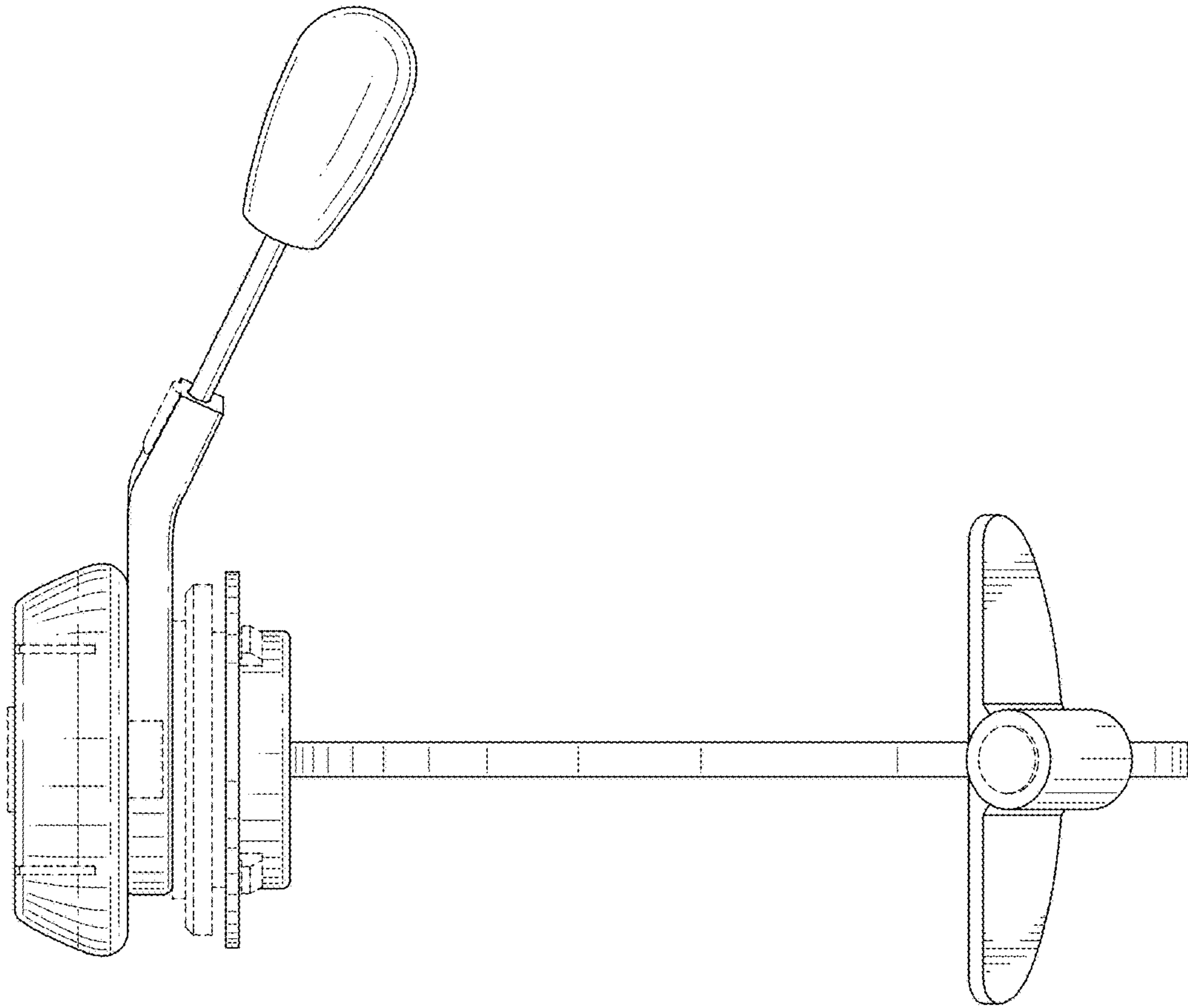


FIG.8