



US00D786824S

(12) **United States Design Patent**
Hembrey

(10) **Patent No.:** **US D786,824 S**

(45) **Date of Patent:** **** May 16, 2017**

(54) **HEADPHONE**

(71) Applicant: **Ooh Mommy LLC**, Manhasset, NY
(US)

(72) Inventor: **Jason L. Hembrey**, Manhasset, NY
(US)

(73) Assignee: **Ooh Mommy LLC**, Manhasset, NY
(US)

(**) Term: **15 Years**

(21) Appl. No.: **29/573,090**

(22) Filed: **Aug. 2, 2016**

(51) **LOC (10) Cl.** **14-01**

(52) **U.S. Cl.**
USPC **D14/205**

(58) **Field of Classification Search**
USPC D14/205, 206, 214; D29/112; 2/209;
181/129, 130, 135; 379/430, 431,
379/428.02; 381/330, 370, 382, 378, 379,
381/384, 374, 375, 376, 74
CPC H04R 1/1066; H04R 1/1016; H04R 5/033;
H04R 5/0335; H04R 1/105; H04R 1/10
See application file for complete search history.

(56) **References Cited**

U.S. PATENT DOCUMENTS

1,606,165 A *	11/1926	Glenn	H01B 7/04
				123/633
2,510,344 A *	6/1950	Law	G03B 21/625
				359/457
D246,259 S	11/1977	Nishimura		
D246,519 S	11/1977	Kato		
D254,183 S	2/1980	Doodson		
D300,133 S	3/1989	Daidoh		
D313,092 S	12/1990	Nilsson		
D328,074 S *	7/1992	Yamazaki	D14/205

(Continued)

OTHER PUBLICATIONS

<https://www.lilgadgets.com/products/connect> downloaded on Aug. 2, 2016.

Primary Examiner — Paula Greene

(74) *Attorney, Agent, or Firm* — Myers Wolin, LLC

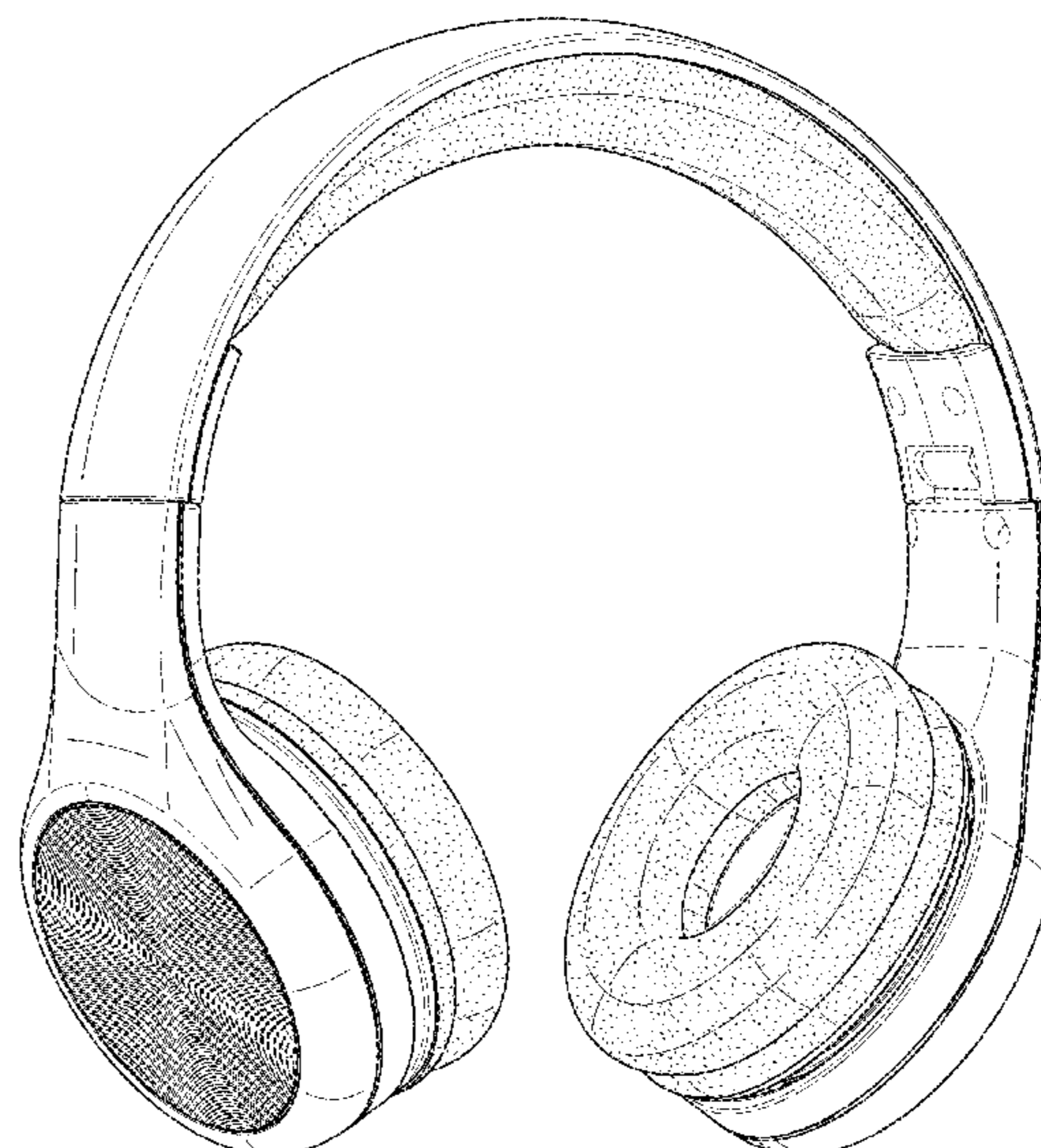
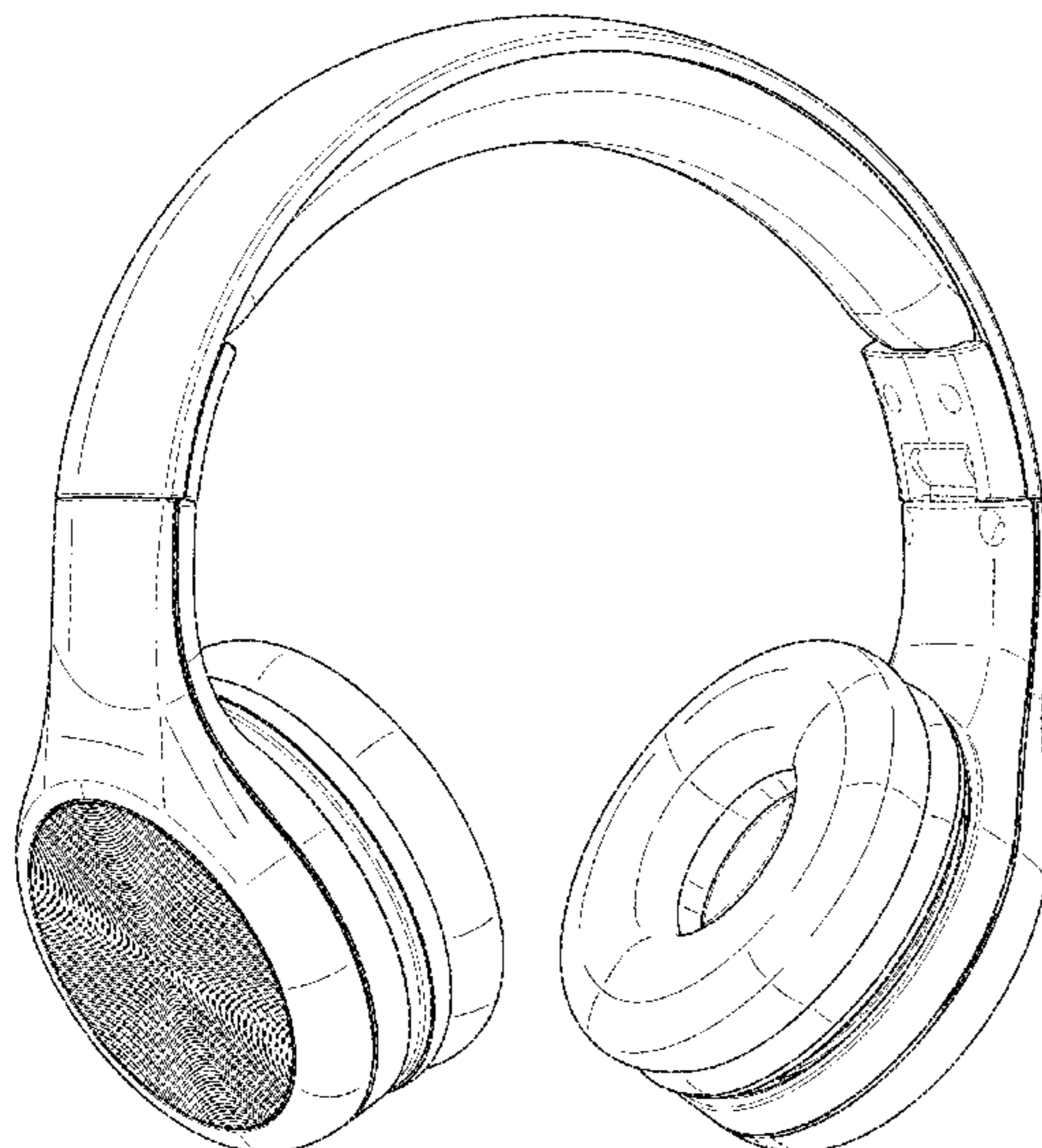
(57) **CLAIM**

The ornamental design for headphone, as shown and described.

DESCRIPTION

FIG. 1 is a perspective view of one embodiment of headphone showing my new design;
 FIG. 2 is a front elevation view thereof;
 FIG. 3 is a rear elevation view thereof;
 FIG. 4 is a right side elevation view thereof, the left side elevation view being a mirror-image thereof;
 FIG. 5 is a right side elevation view thereof with a section line 6-6 through a portion thereof;
 FIG. 6 is a section taken through line 6-6 of FIG. 5;
 FIG. 7 is a top view thereof;
 FIG. 8 is a bottom view thereof;
 FIG. 9 is a front view in an alternate folding configuration;
 FIG. 10 is a perspective view of an alternative embodiment of headphone showing my new design;
 FIG. 11 is a front elevation view thereof;
 FIG. 12 is a rear elevation view thereof;
 FIG. 13 is a right side elevation view thereof, the left side elevation view being a mirror-image thereof;
 FIG. 14 is a right side elevation view thereof with a section line 15-15 through a portion thereof;
 FIG. 15 is a section taken through line 15-15 of FIG. 14;
 FIG. 16 is a top view thereof;
 FIG. 17 is a bottom view thereof; and,
 FIG. 18 is a front view in an alternate folding configuration.
 The broken lines depict environment that forms no part of the claimed design.

1 Claim, 14 Drawing Sheets



(56)

References Cited

U.S. PATENT DOCUMENTS

D735,161 S	7/2015	Sparks	D755,753 S	5/2016	Nakagawa	
D735,691 S	8/2015	Sparks	D757,680 S	5/2016	Kelly	
D735,692 S	8/2015	Bremyer	D758,337 S	6/2016	Szymanski	
D736,176 S	8/2015	Rapitsch	D758,338 S	6/2016	Szymanski	
D737,799 S	9/2015	Carr	D758,990 S	6/2016	Jiang	
D737,821 S	9/2015	Cho	D758,991 S	6/2016	Petersén	
D738,350 S	9/2015	Brunner	D759,626 S	6/2016	Wagner	
D738,850 S	9/2015	Chung	D760,687 S	7/2016	Brunner	
D739,378 S	9/2015	Chung	D761,761 S	7/2016	Ando	
D739,842 S	9/2015	Birger	D763,226 S	8/2016	Petersén	
D740,254 S	10/2015	Huang	D765,055 S	8/2016	Hsieh	
D741,288 S	10/2015	Galler	D765,056 S	8/2016	Yang	
D741,289 S	10/2015	Schaal	D766,870 S	9/2016	Catalano	
D741,290 S	10/2015	Schaal	D767,531 S	9/2016	Szymanski	
D742,357 S	11/2015	Chung	D768,110 S	10/2016	Suzuki	
D746,790 S	1/2016	Strasberg	D768,111 S	10/2016	Nam	
D746,791 S	1/2016	Yuen	D769,840 S	10/2016	Henning	
D747,290 S	1/2016	Lee	D773,438 S	12/2016	Walker	
D747,291 S	1/2016	Lee	D776,081 S	1/2017	Willman	
D750,039 S	2/2016	Ahn	2005/0053255 A1 *	3/2005	Harris	H04R 5/0335
D750,041 S	2/2016	Birger				381/379
			2014/0254854 A1 *	9/2014	Blonder	H04R 1/1066
						381/371

* cited by examiner



FIG. 1



FIG. 2



FIG. 3

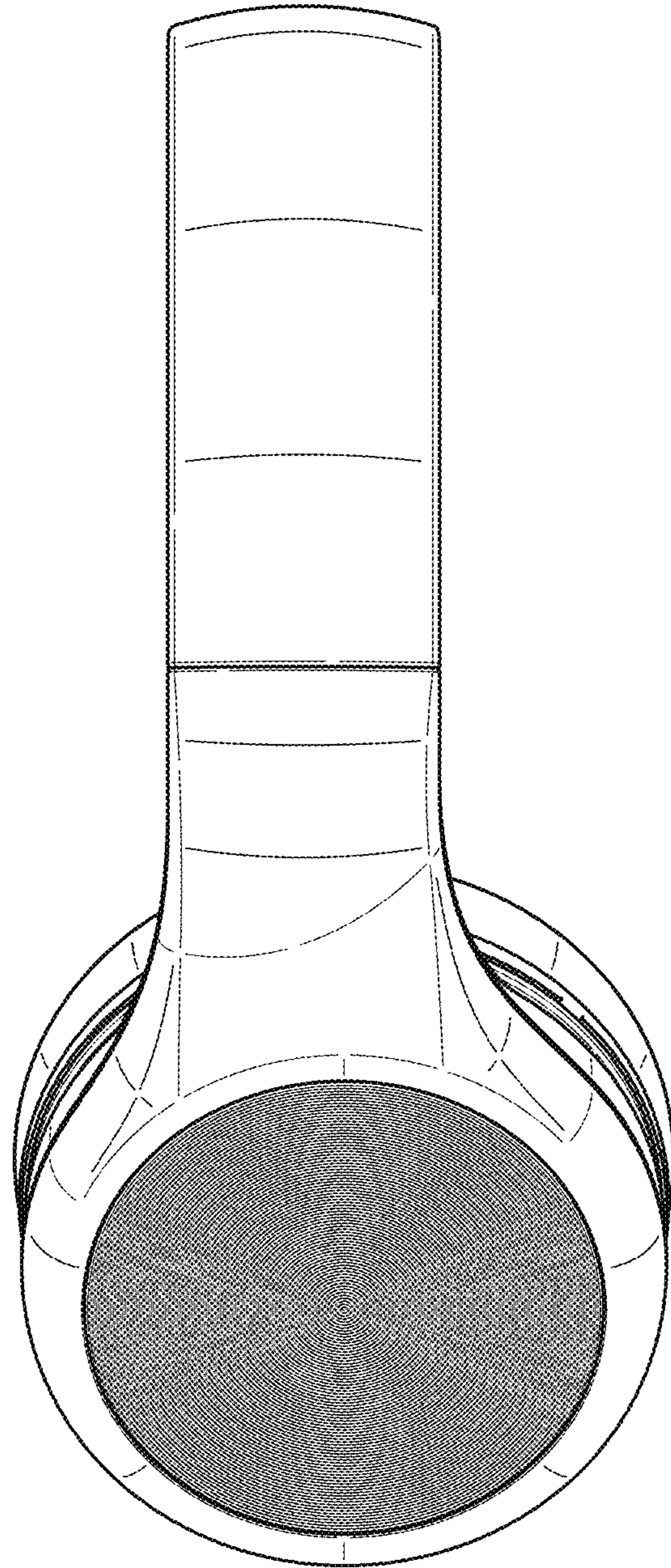


FIG. 4

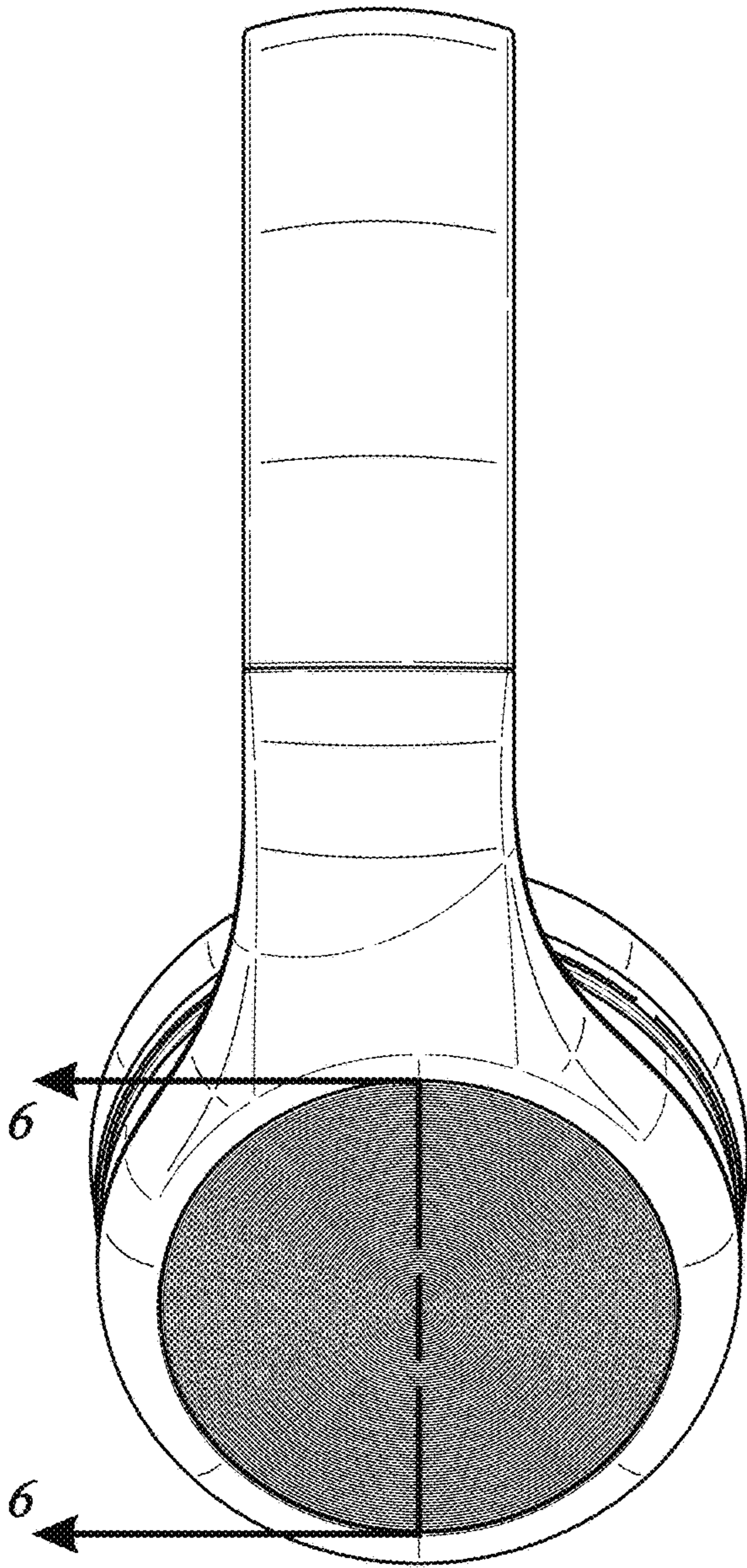


FIG. 5



FIG. 6

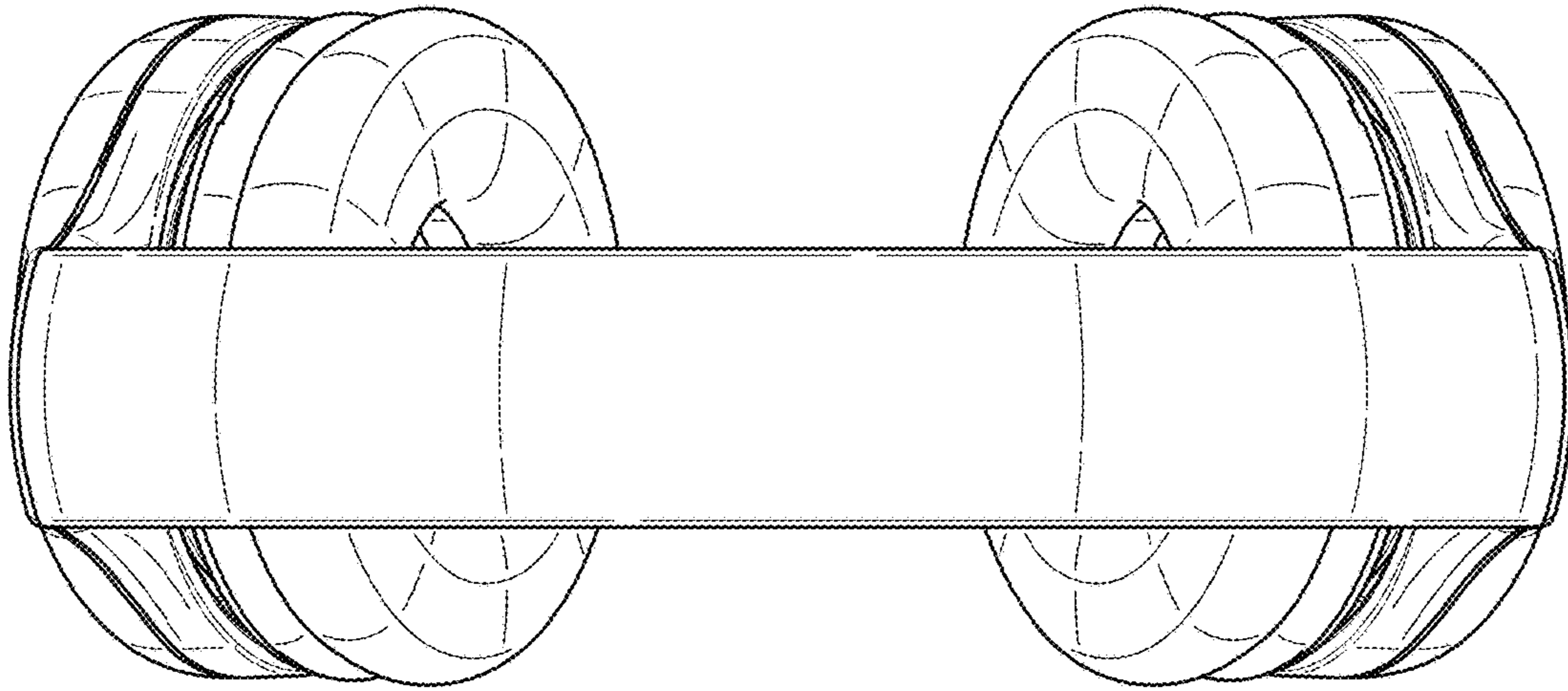


FIG. 7

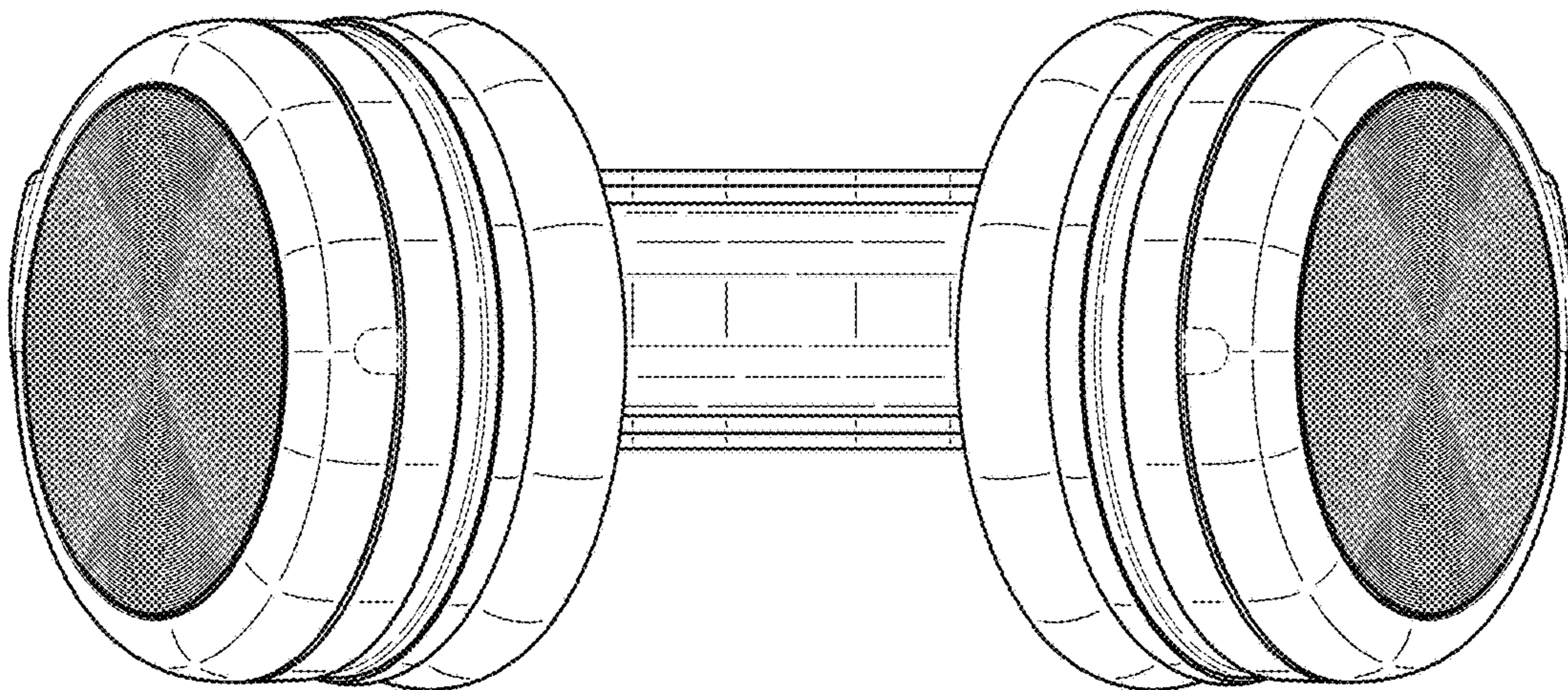


FIG. 8

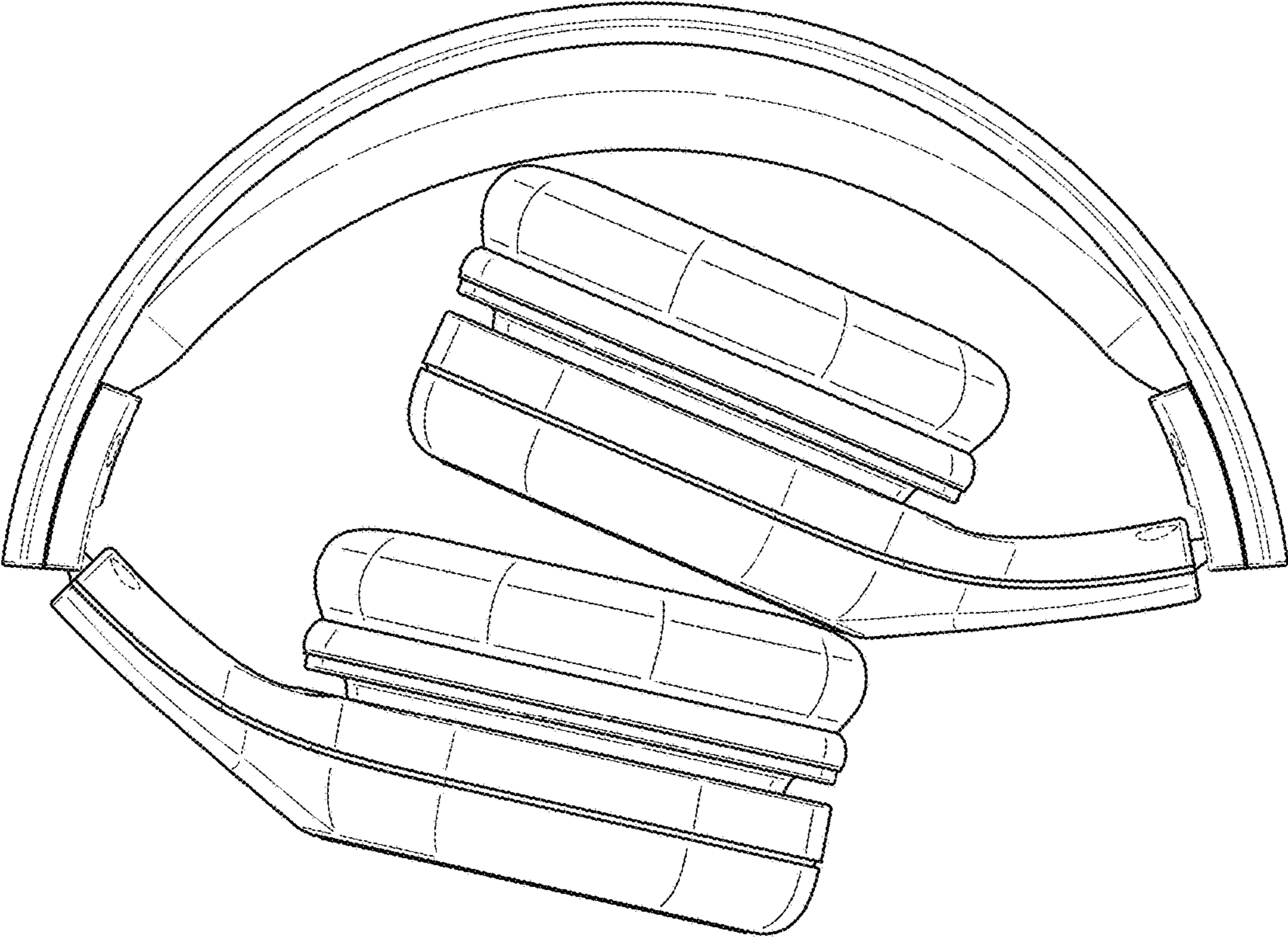


FIG. 9



FIG. 10



FIG. 11



FIG. 12

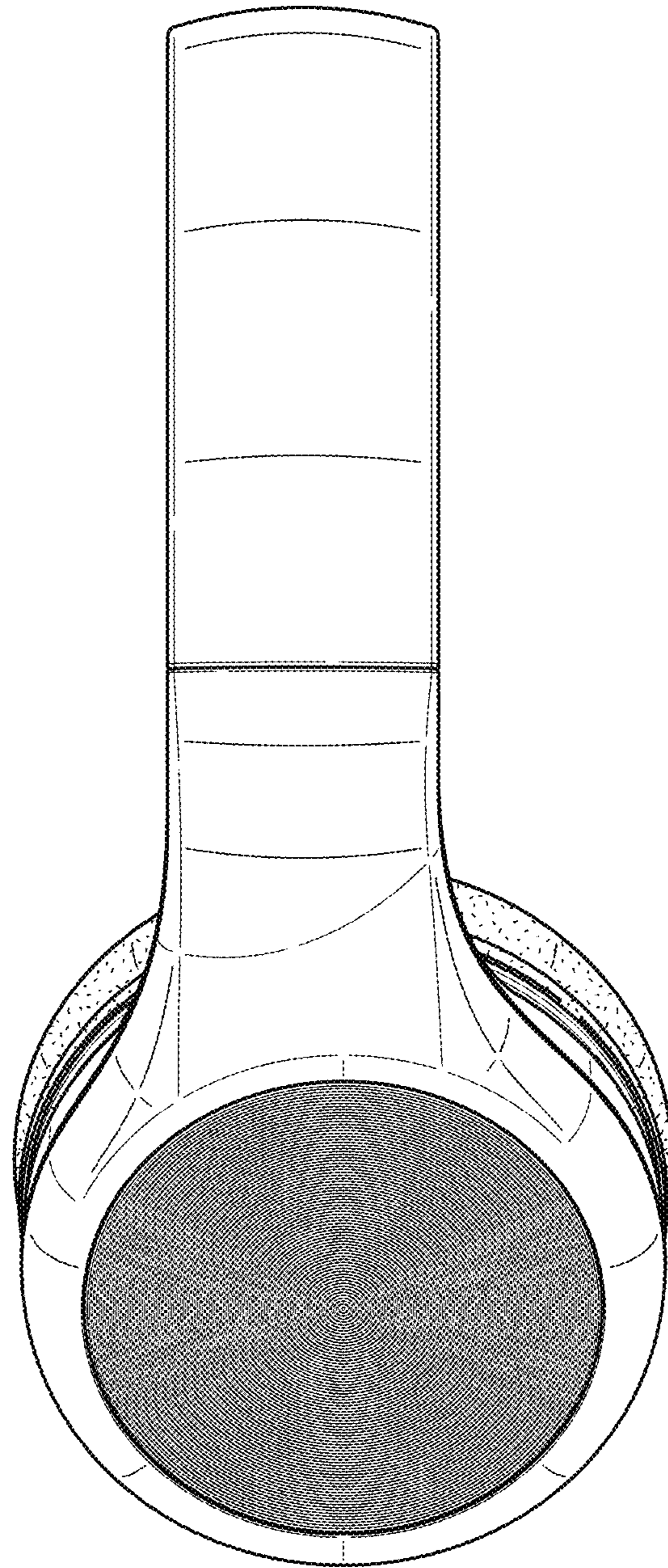


FIG. 13

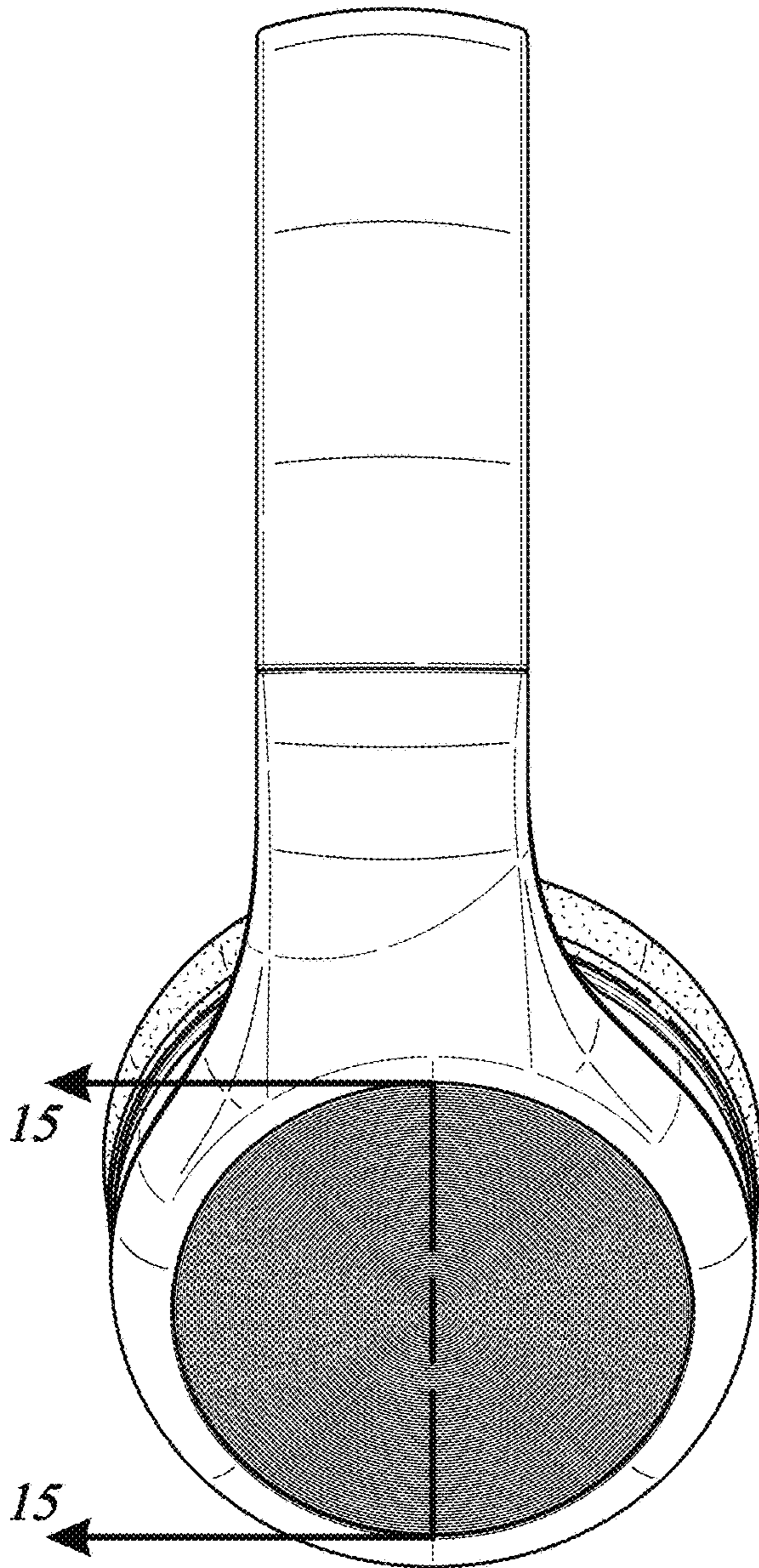


FIG. 14



FIG. 15

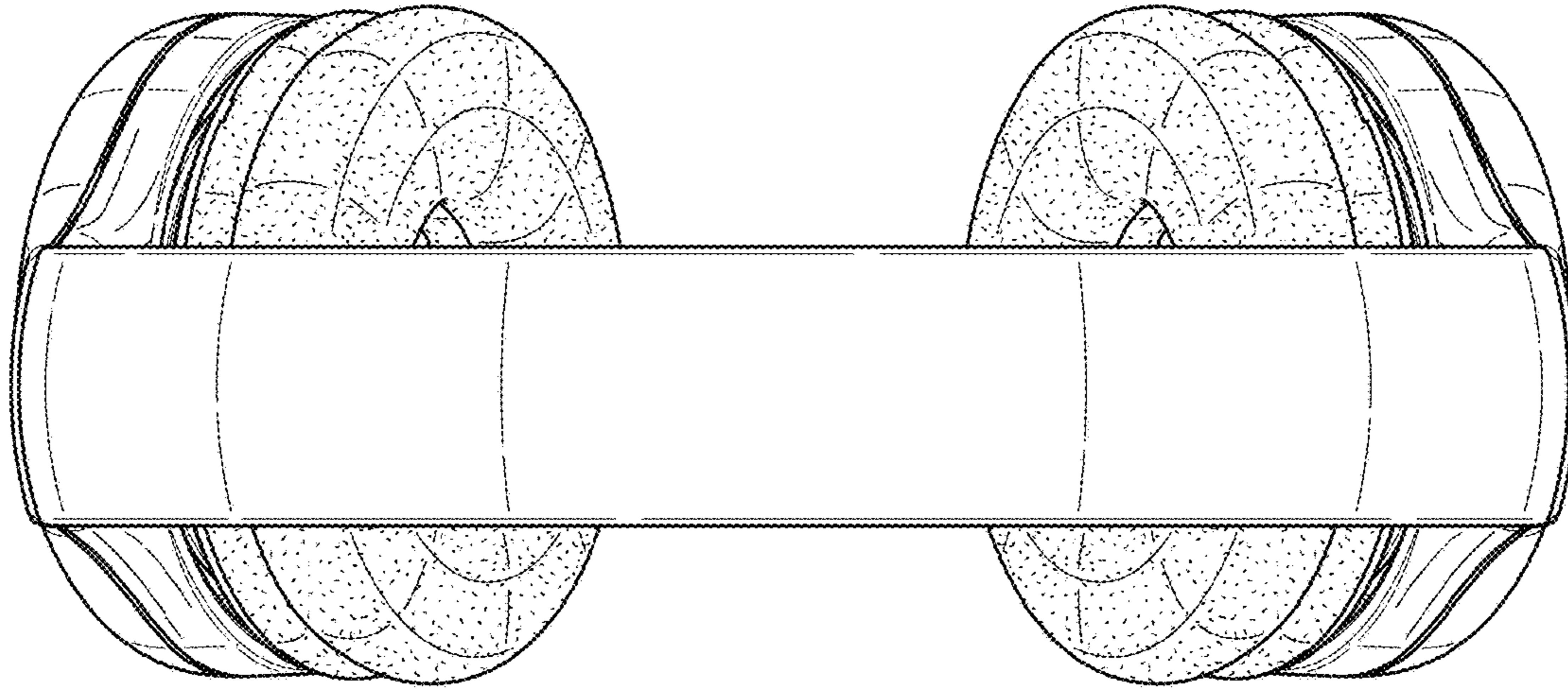


FIG. 16

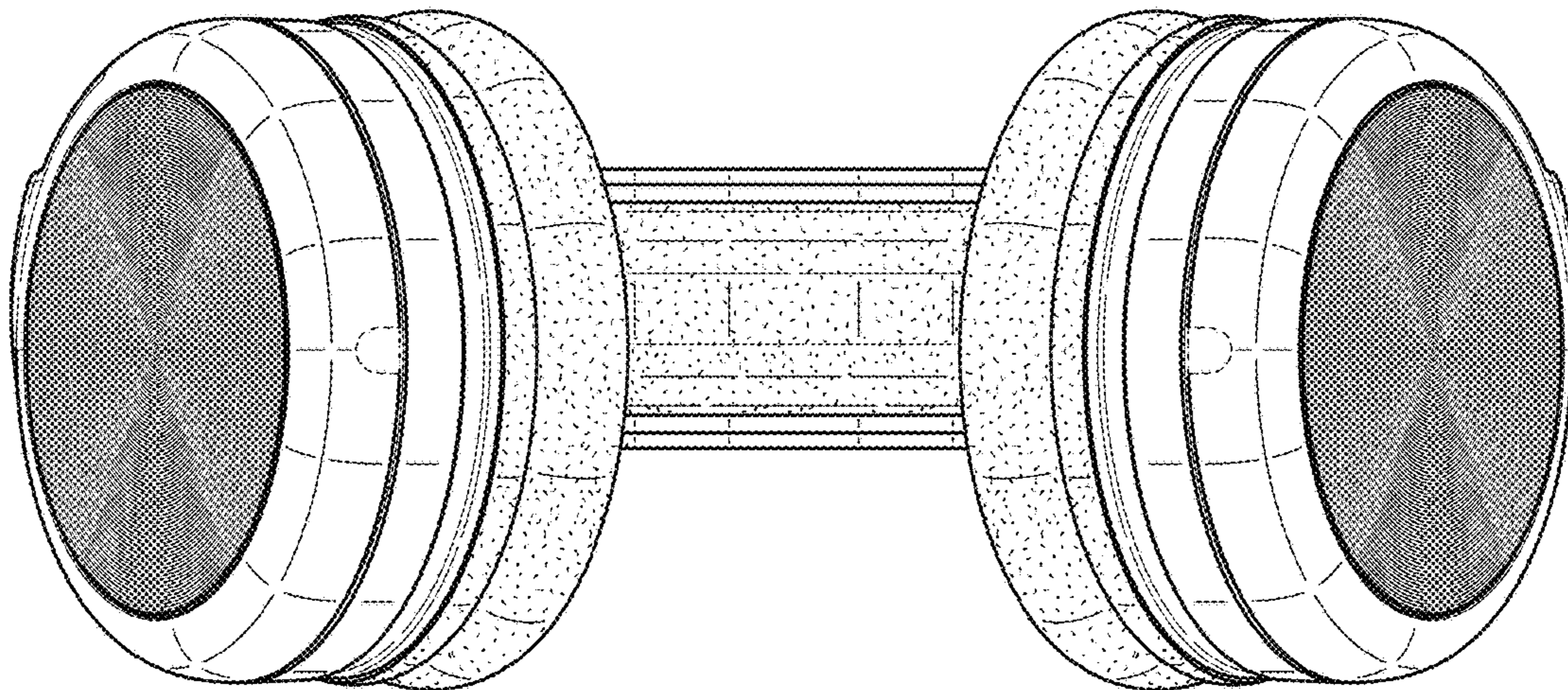


FIG. 17

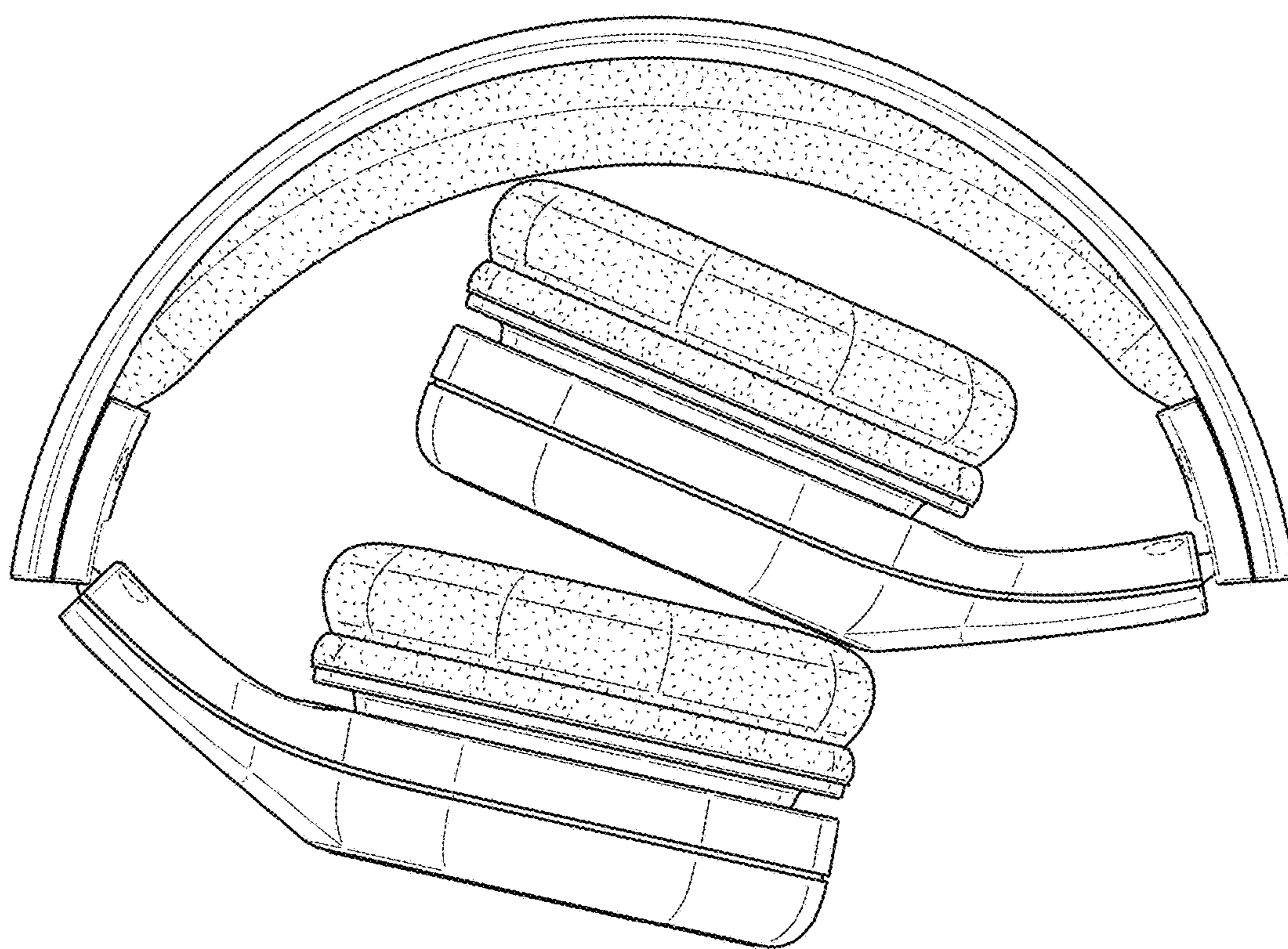


FIG. 18