



US00D786812S

(12) **United States Design Patent**  
**McManigal et al.**

(10) **Patent No.:** **US D786,812 S**

(45) **Date of Patent:** **\*\* May 16, 2017**

(54) **TELEVISION**

(71) Applicant: **Vizio Inc**, Irvine, CA (US)

(72) Inventors: **Scott McManigal**, Irvine, CA (US);  
**Glen Kim**, Irvine, CA (US)

(73) Assignee: **Vizio, Inc**, Irvine, CA (US)

(\*\*) Term: **15 Years**

(21) Appl. No.: **29/560,910**

(22) Filed: **Apr. 12, 2016**

(51) **LOC (10) Cl.** ..... **14-03**

(52) **U.S. Cl.**  
USPC ..... **D14/126**

(58) **Field of Classification Search**

USPC ..... D14/125-134, 239, 371, 136, 374-377,  
D14/440, 450, 448, 336, 342, 159;  
312/7.2; 348/836, 838, 180, 184, 325,  
348/739; 248/917-924, 465; 345/104,  
345/133, 156, 168, 87, 173; D21/329,  
D21/515, 577, 622, 333, 433, 448, 452,  
D21/450, 331, 505; D10/15, 26;  
446/484, 175, 356; D6/477, 479, 300;  
D20/10, 19, 39; D16/203, 241; 160/24  
CPC .... G06F 1/1601; G06F 1/1643; G06F 1/1652;  
G06F 1/1647; G06F 3/0412; H05K  
5/0004; H05K 5/0017; H05K 5/02; H05K  
5/0217; H04N 13/0459

See application file for complete search history.

(56) **References Cited**

**U.S. PATENT DOCUMENTS**

D124,243 S \* 12/1940 Breuss ..... D5/61  
D533,854 S \* 12/2006 Rashid ..... D14/126

D628,172 S \* 11/2010 Chien ..... D14/126  
D639,258 S \* 6/2011 Chien ..... D14/126  
D680,106 S \* 4/2013 Hwangbo ..... D14/239  
D700,187 S \* 2/2014 Lee ..... D14/451  
D716,244 S \* 10/2014 Kim ..... D14/126  
D719,119 S \* 12/2014 Park ..... D14/126  
D729,755 S \* 5/2015 McManigal ..... D14/126  
D735,153 S \* 7/2015 Snyder ..... D14/126  
D749,532 S \* 2/2016 McManigal ..... D14/126  
D751,519 S \* 3/2016 Ma ..... D14/126  
D765,615 S \* 9/2016 Kim ..... D14/126  
D767,517 S \* 9/2016 Gomi ..... D14/126  
D769,204 S \* 10/2016 Kim ..... D14/126

\* cited by examiner

*Primary Examiner* — Raphael Barkai

(74) *Attorney, Agent, or Firm* — Law Office of Scott C  
Harris, Inc

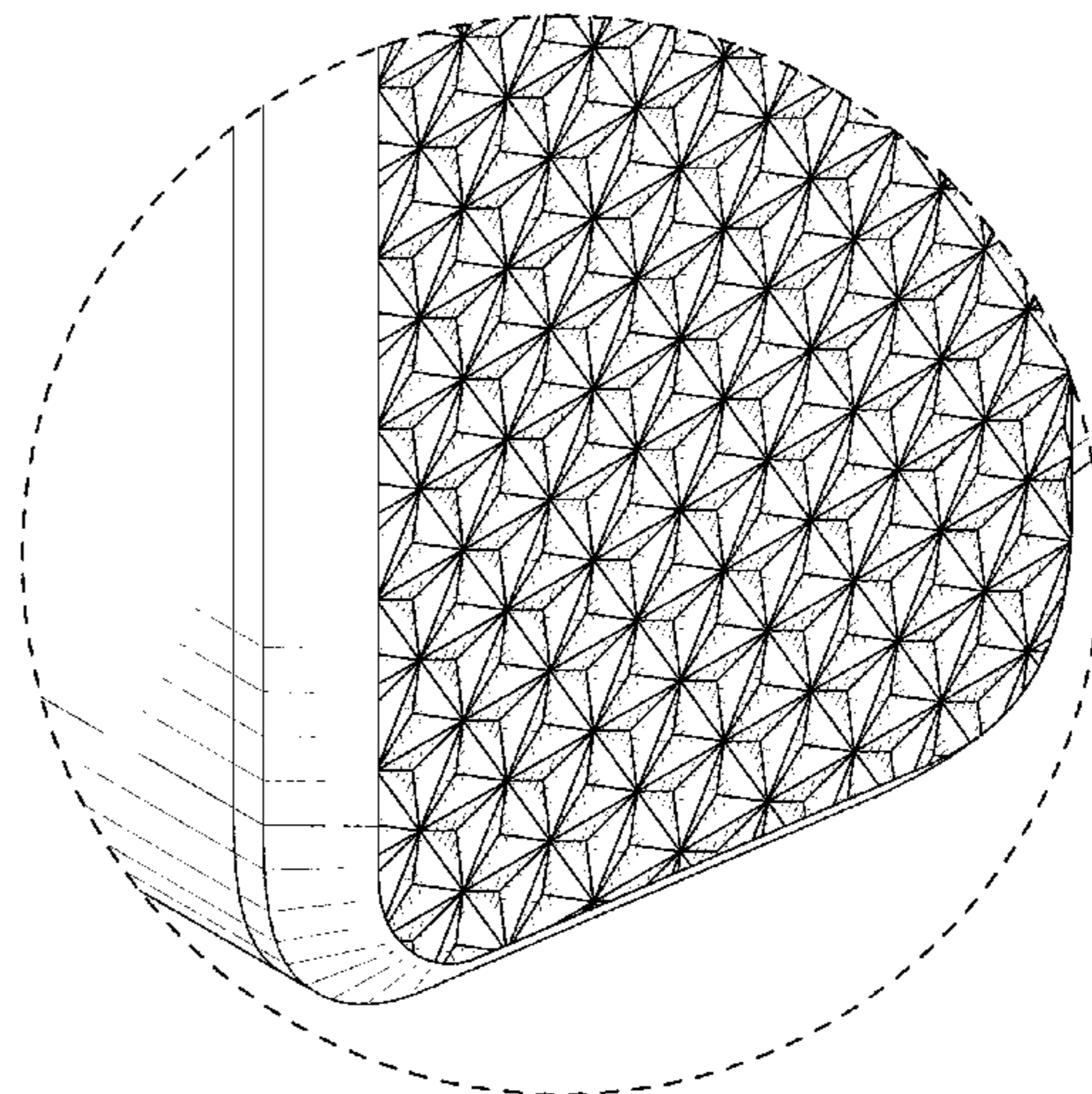
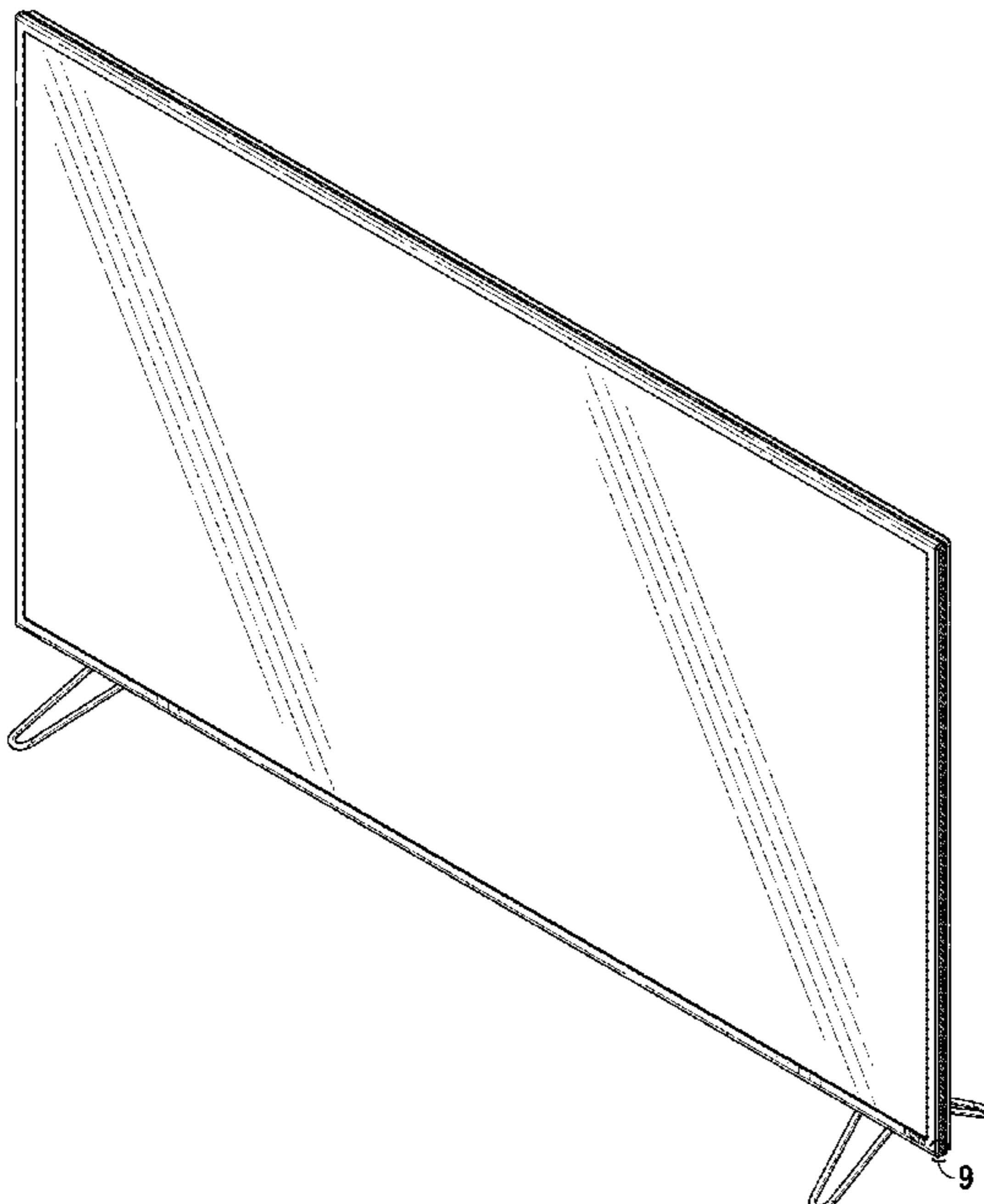
(57) **CLAIM**

We claim the ornamental design for a television, as shown  
and described.

**DESCRIPTION**

FIG. 1 shows a first perspective view of the television;  
FIG. 2 shows a front view of the television;  
FIG. 3 shows a rear view of the television;  
FIG. 4 shows a first side view of the television;  
FIG. 5 shows a second side view of the television;  
FIG. 6 shows a top view of the television;  
FIG. 7 shows a bottom view of the television;  
FIG. 8 shows a rear perspective view of the television; and,  
FIG. 9 shows a close up view of the television.  
The portions of the graphical user interface shown in broken  
lines form no part of the claimed design.

**1 Claim, 7 Drawing Sheets**



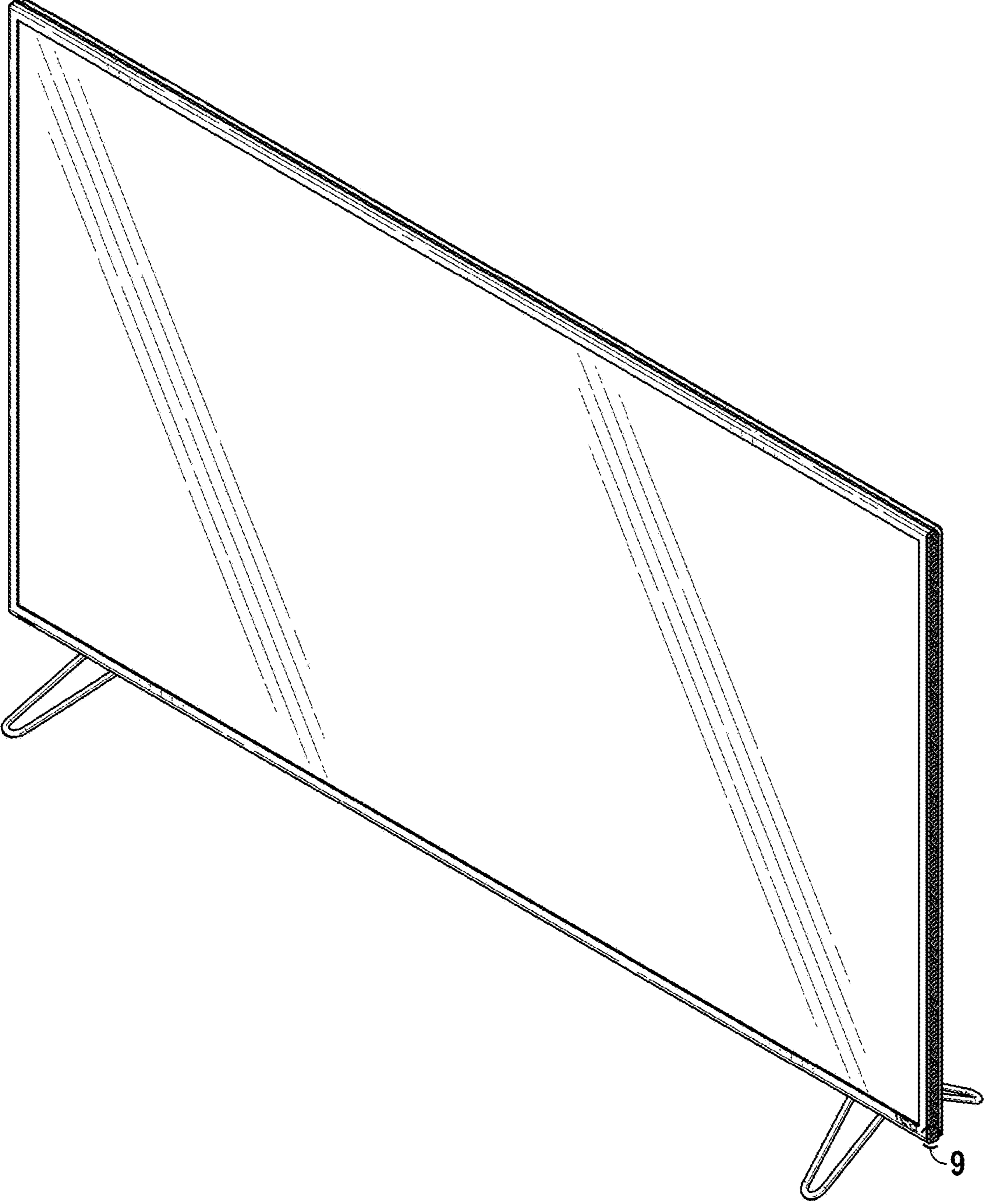


FIG. 1

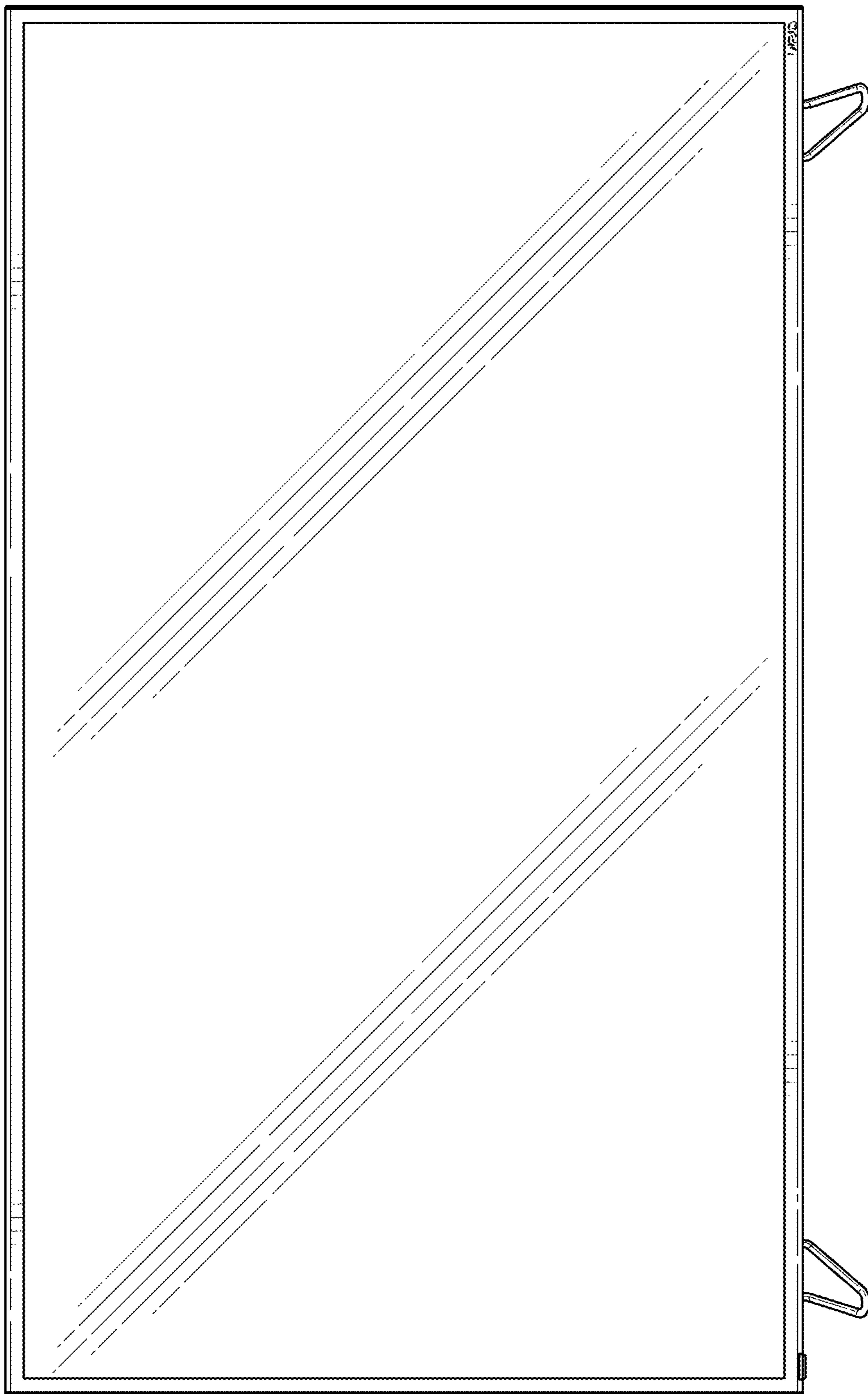


FIG. 2

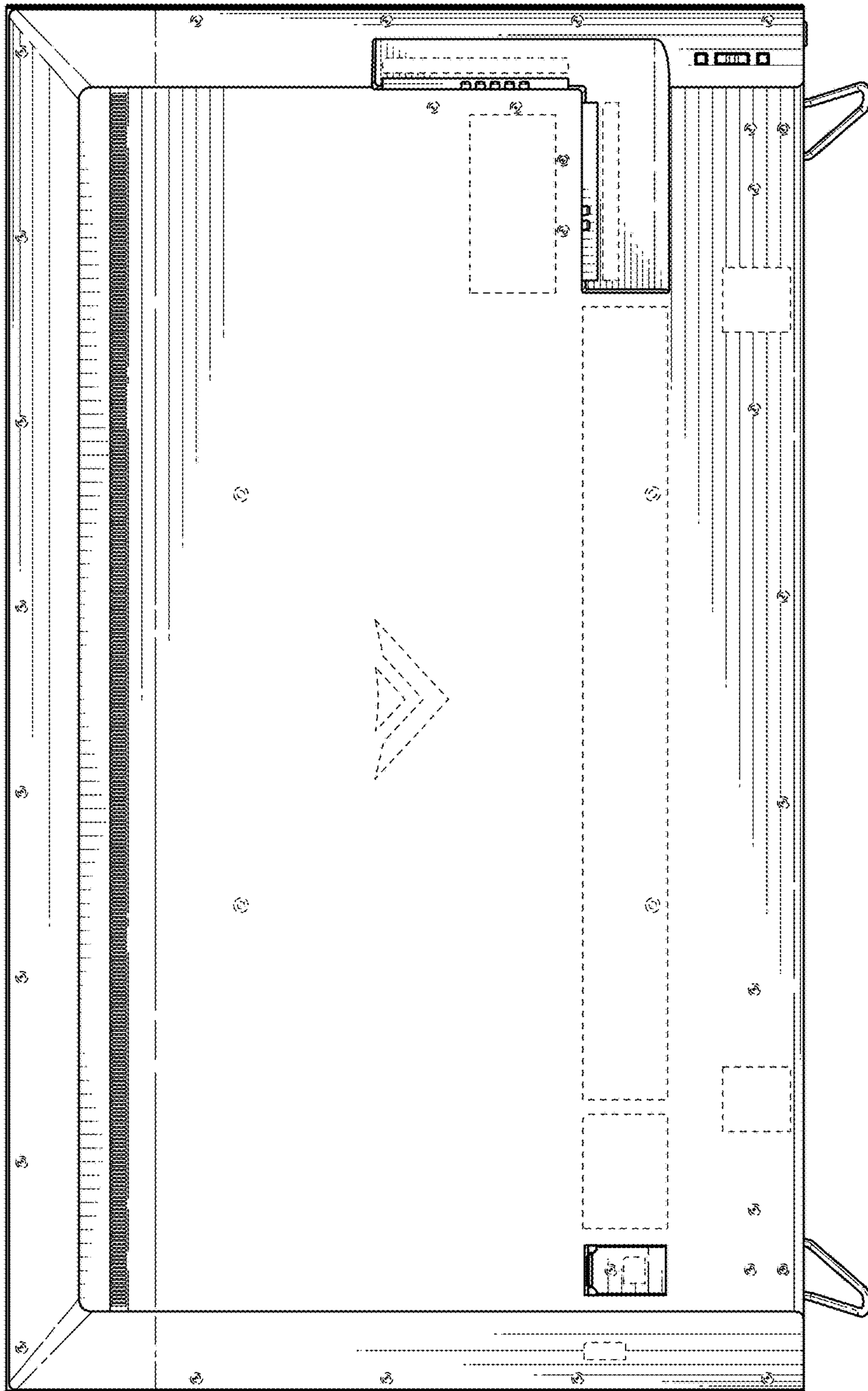


FIG. 3

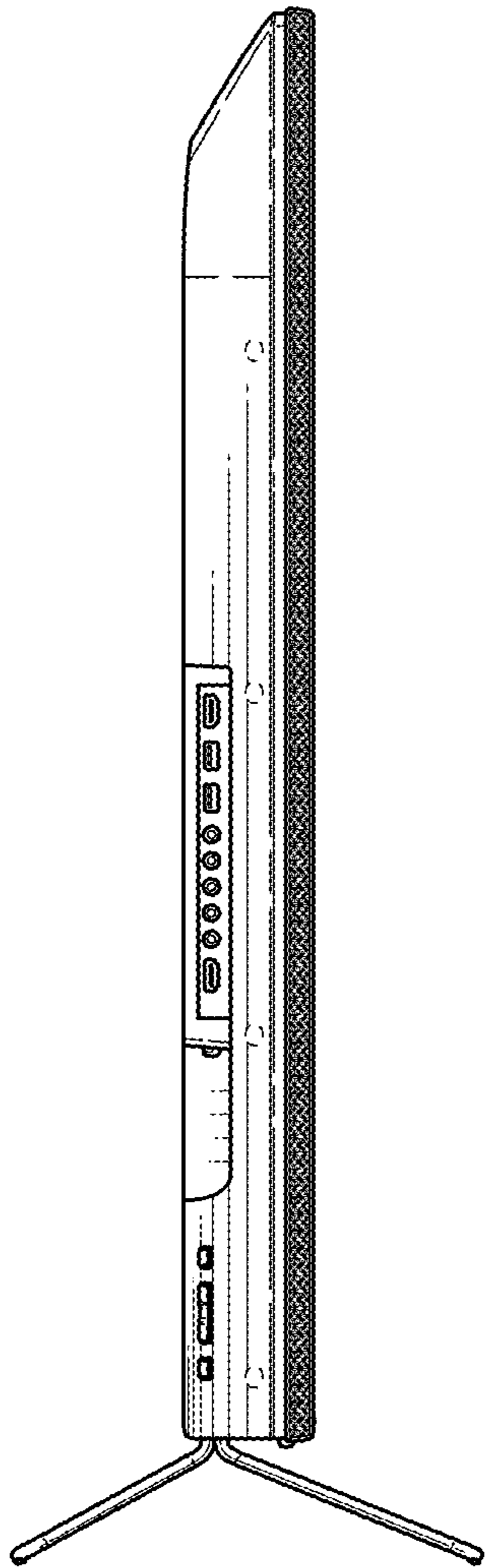


FIG. 4

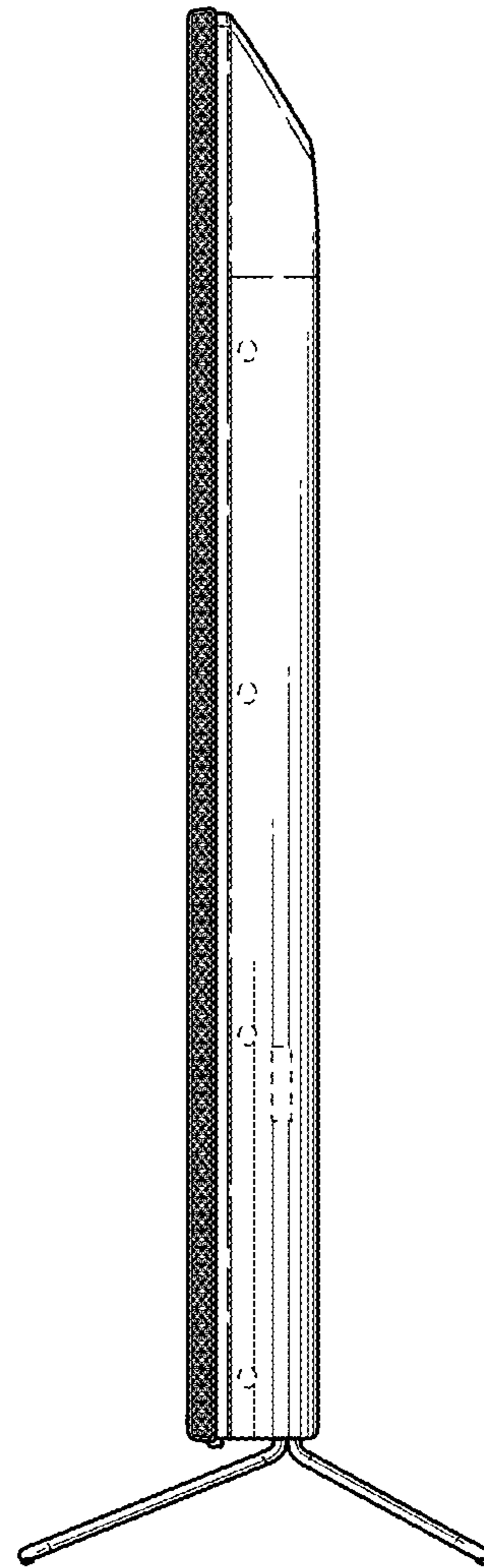


FIG. 5

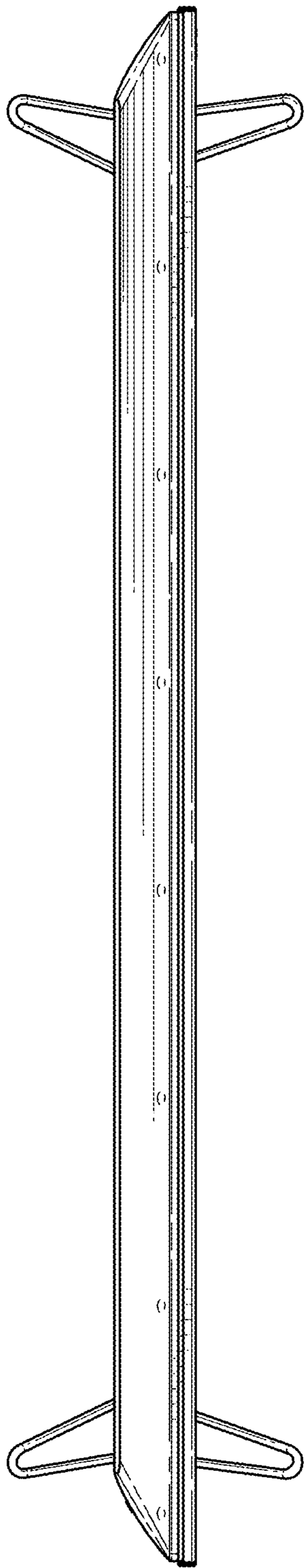


FIG. 6

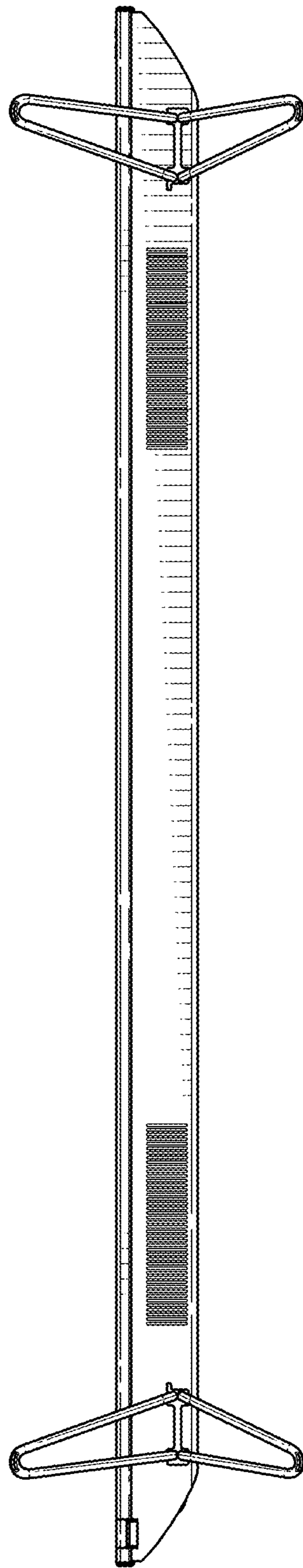


FIG. 7

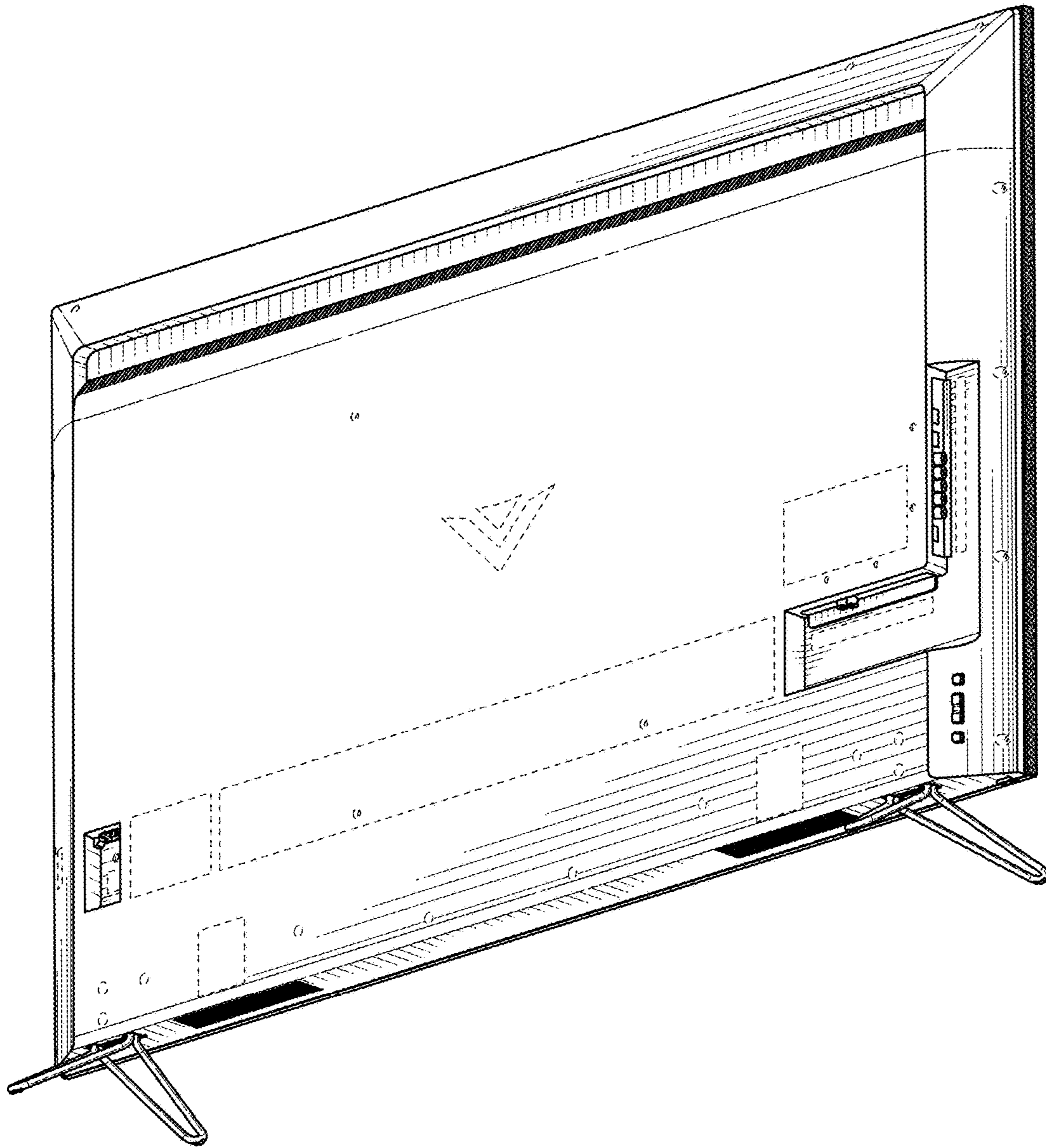


FIG. 8

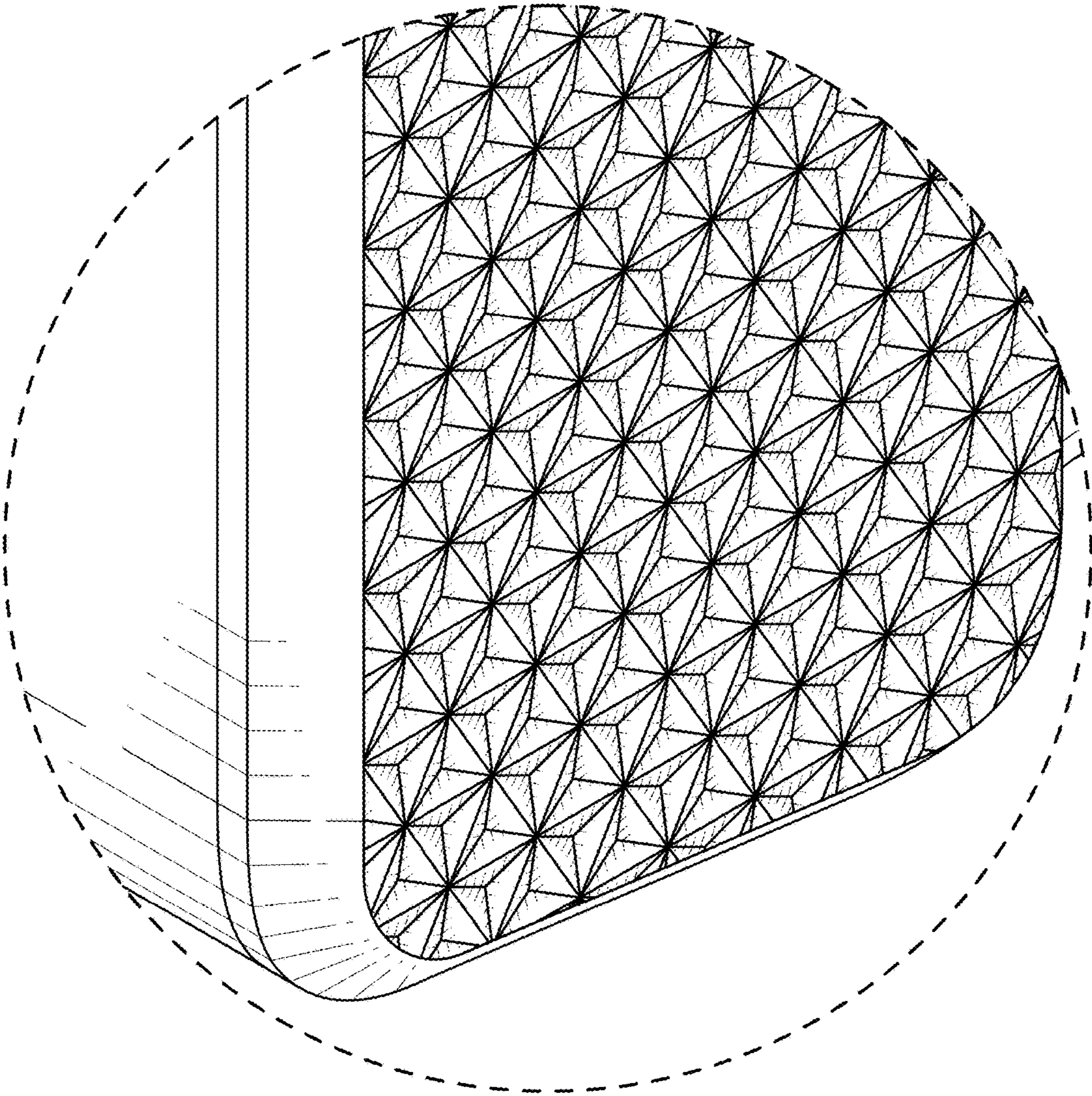


FIG. 9