



US00D786811S

(12) **United States Design Patent**
Zheng et al.

(10) **Patent No.:** **US D786,811 S**
(45) **Date of Patent:** **** May 16, 2017**

(54) **LED ELECTRONIC DISPLAY**

FOREIGN PATENT DOCUMENTS

(71) Applicant: **Shenzhen coleder opto-electronics co, ltd**, Guangdong (CN)

EM 002883066-0001 * 11/2015

(72) Inventors: **Jian Zheng**, Guangdong (CN); **Kevin Wu**, Guangdong (CN)

OTHER PUBLICATIONS

(**) Term: **15 Years**

Coleder Website. [online] Published date unknown. Retrieved on Sep. 30, 2016 from <URL: <http://www.coleder.com/>>.*
Coleder Road Ready. Rental LED Display&Screen. [online] Published date Jan. 6, 2016. Retrieved on Sep. 30, 2016 from <URL: <https://www.youtube.com/watch?v=ZECygzpSQqw>>.*

(21) Appl. No.: **29/547,646**

(22) Filed: **Dec. 7, 2015**

* cited by examiner

(30) **Foreign Application Priority Data**

Sep. 15, 2015 (CN) 2015 3 0354469

(51) **LOC (10) Cl.** **13-03**

(52) **U.S. Cl.**
USPC **D13/182**

(58) **Field of Classification Search**
USPC D14/130; D13/120, 121, 133, 179, 180, D13/182

CPC H05K 1/00; H05K 1/111; H05K 1/112; H05K 1/113; H05K 1/114

See application file for complete search history.

Primary Examiner — Vy Koenig

Assistant Examiner — Omeed Agilee

(74) *Attorney, Agent, or Firm* — Prakash Nama; Global IP Services, PLLC

(57) **CLAIM**

The ornamental design for a LED electronic display, as shown and described.

(56) **References Cited**

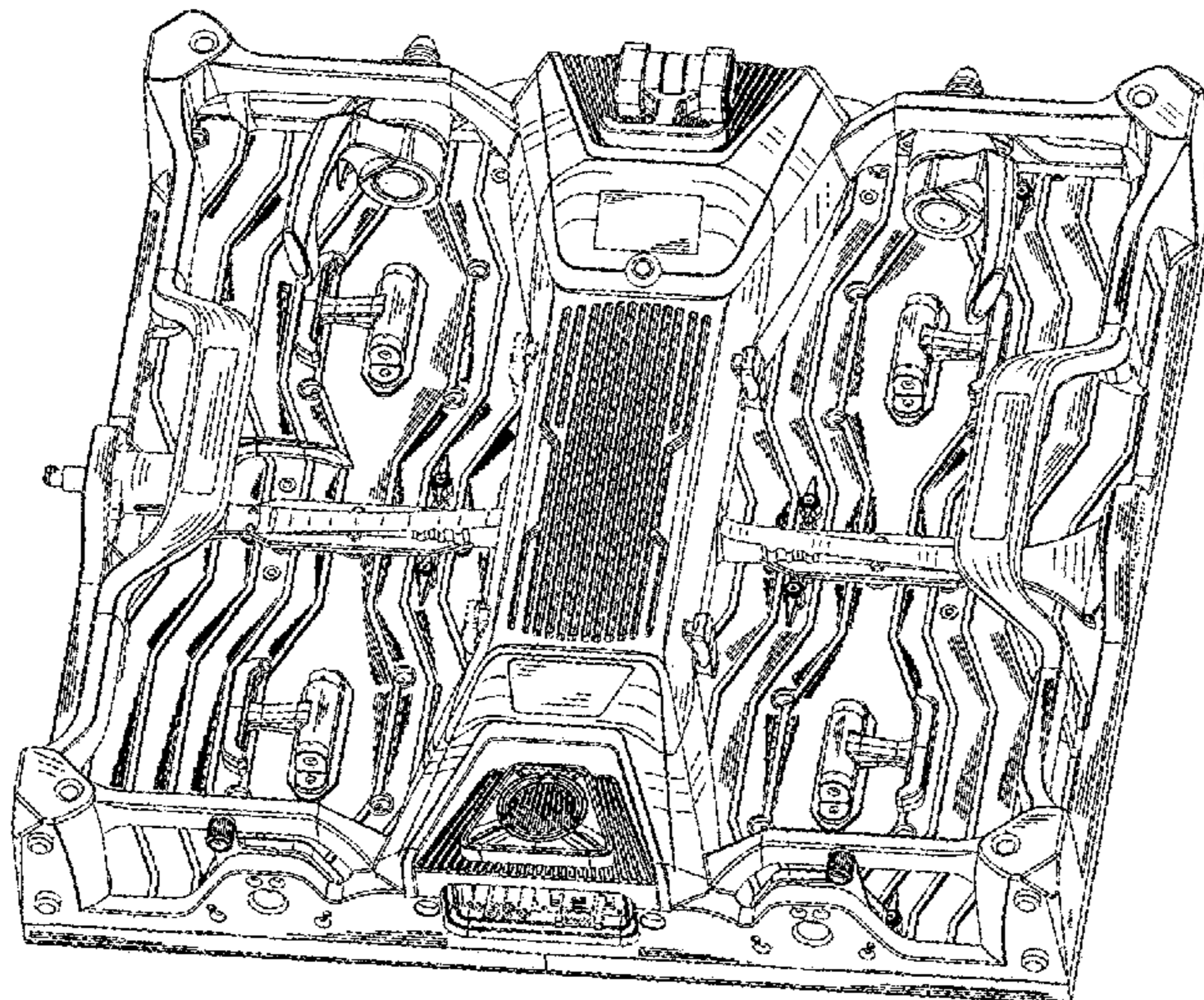
U.S. PATENT DOCUMENTS

D601,521 S *	10/2009	Komatsu	D13/182
D614,153 S *	4/2010	Fondurulia	D13/182
D653,212 S *	1/2012	Yuan	D13/133
2008/0316153 A1 *	12/2008	Yuen	G09F 9/33 345/82
2014/0301088 A1 *	10/2014	Lu	G09F 9/33 362/382
2015/0362160 A1 *	12/2015	Andreasen	F21V 19/004 362/97.1
2016/0014899 A1 *	1/2016	Liu	G09F 9/301 361/749

DESCRIPTION

FIG. 1 is a front elevational view of a LED electronic display showing my new design;
FIG. 2 is a rear elevational view thereof;
FIG. 3 is a left side view thereof;
FIG. 4 is a right side view thereof;
FIG. 5 is a bottom plan view thereof; and,
FIG. 6 is a perspective view thereof.
The broken lines shown form no part of the claimed design.

1 Claim, 4 Drawing Sheets



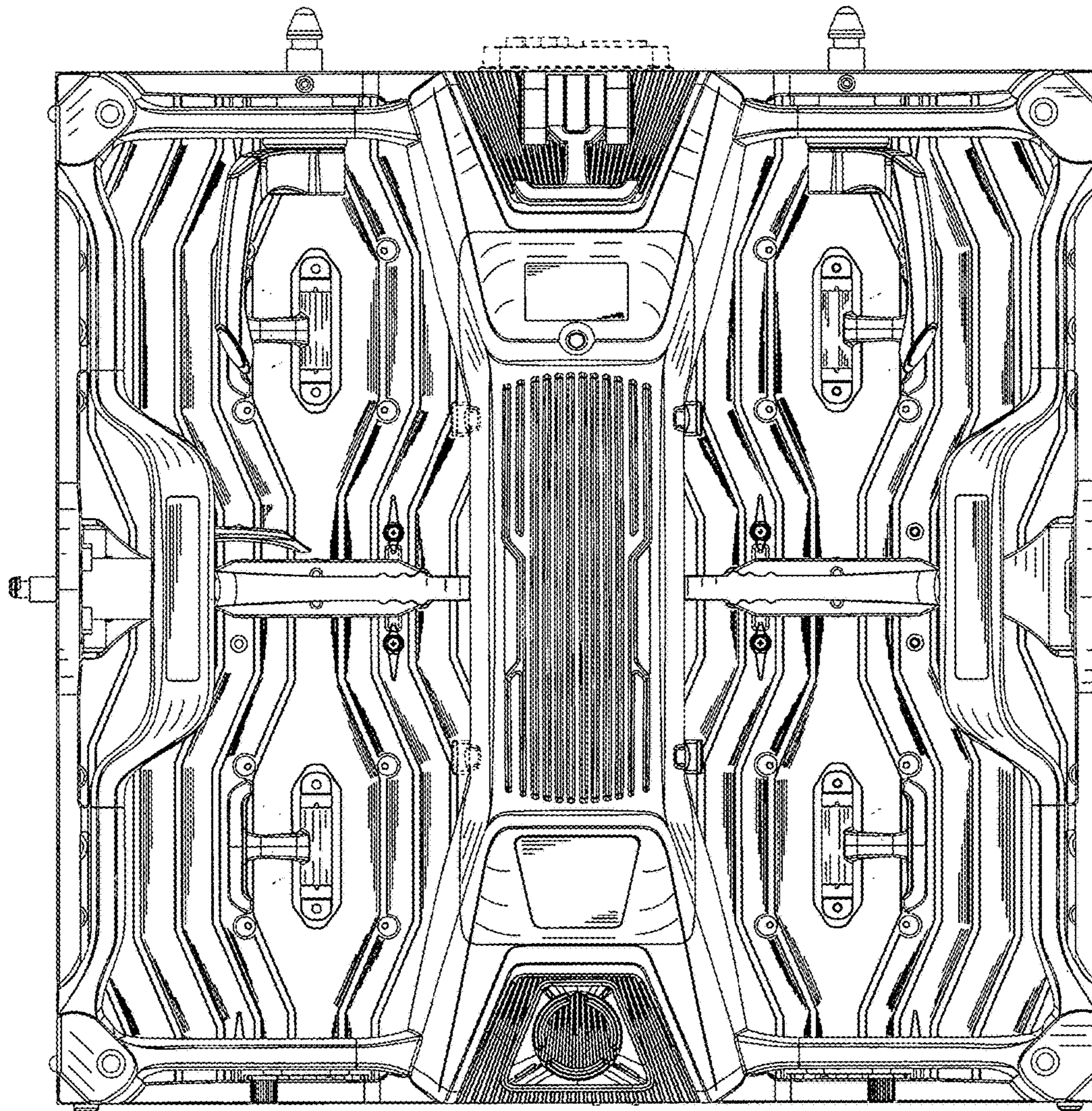


FIG. 1

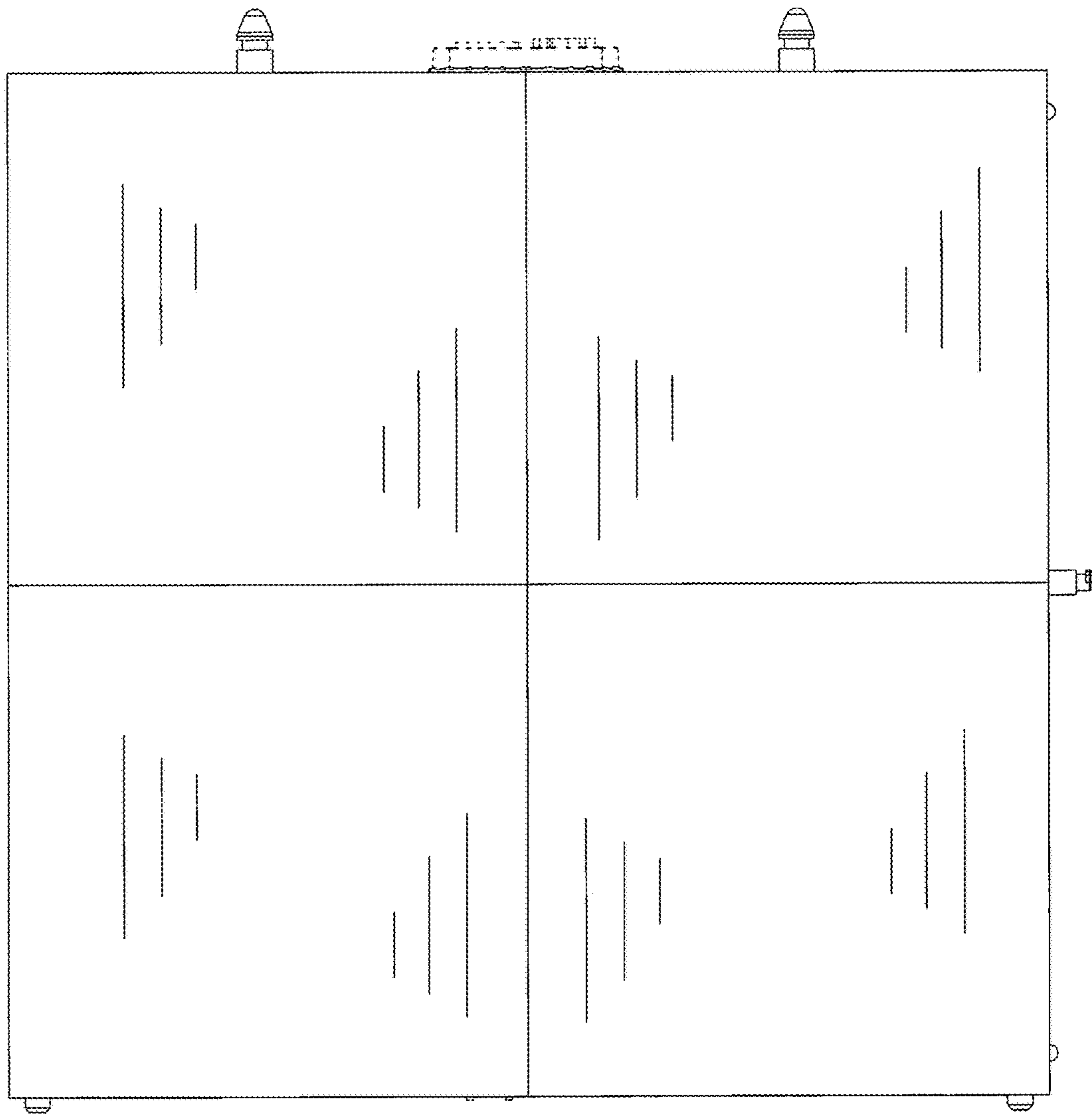


FIG. 2

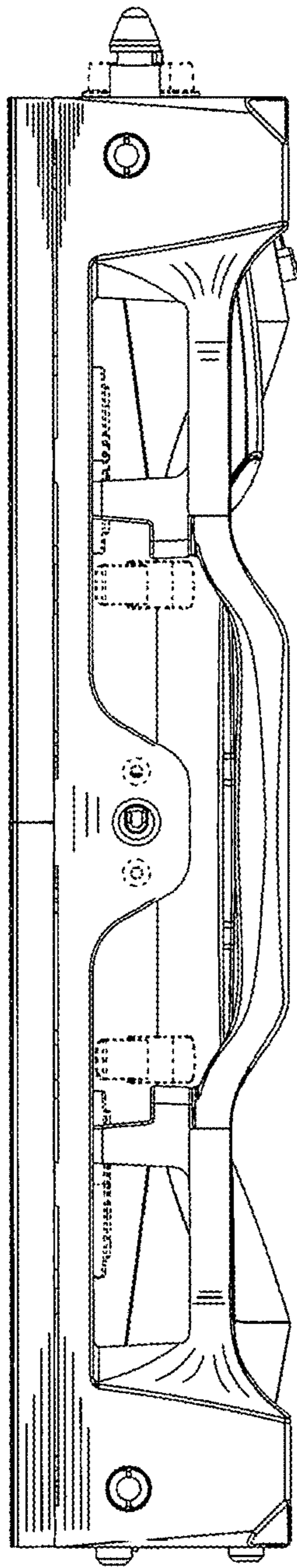


FIG. 3

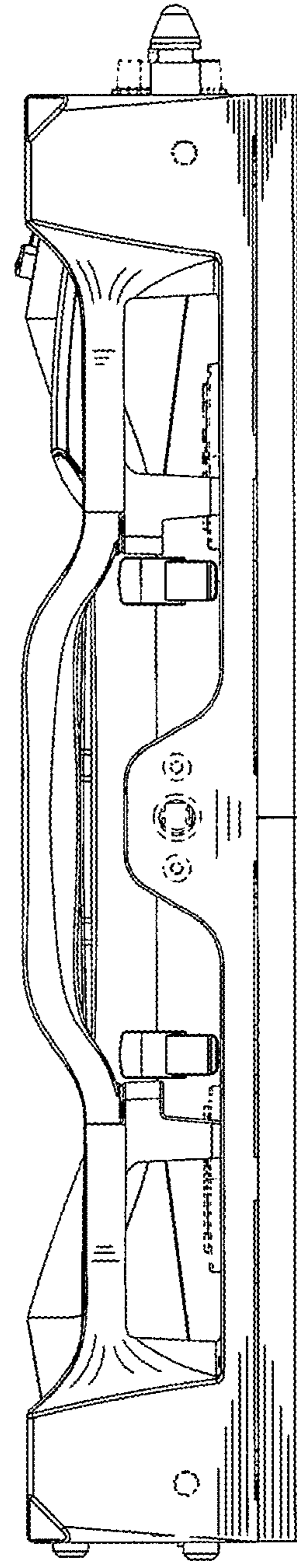


FIG. 4

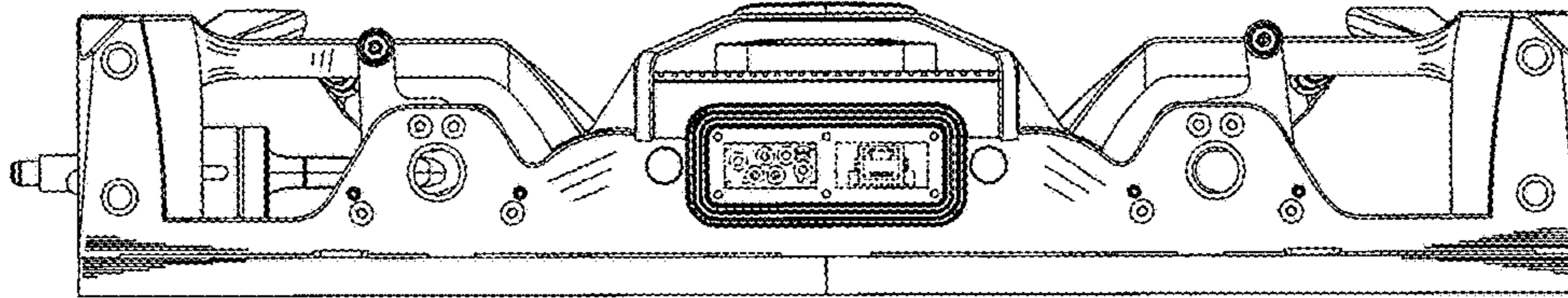


FIG. 5

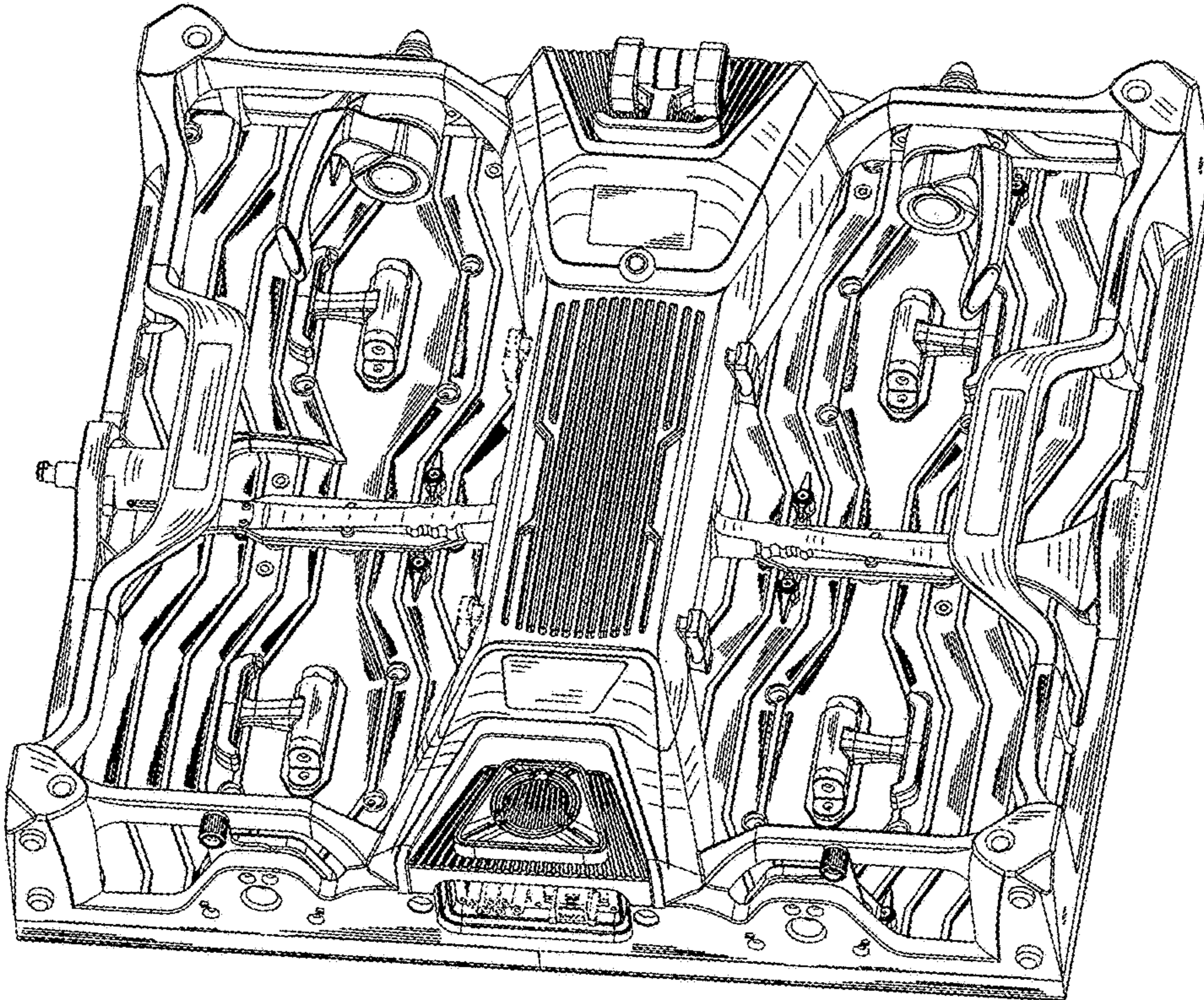


FIG. 6