



US00D786808S

(12) **United States Design Patent**  
**Kayanuma et al.**

(10) **Patent No.:** **US D786,808 S**

(45) **Date of Patent:** **\*\* May 16, 2017**

(54) **LIGHT-EMITTING DIODE**

(71) Applicants: **CITIZEN ELECTRONICS CO., LTD.**, Yamanashi-ken (JP); **CITIZEN WATCH CO., LTD.**, Tokyo (JP)

(72) Inventors: **Yasuaki Kayanuma**, Yamanashi-ken (JP); **Tatsuro Yamada**, Yamanashi-ken (JP); **Yuki Nishikawa**, Shiga-ken (JP); **Yuki Ochiai**, Yamanashi-ken (JP)

(73) Assignees: **CITIZEN ELECTRONICS CO., LTD.**, Yamanashi-Ken (JP); **CITIZEN WATCH CO., LTD.**, Tokyo (JP)

(\*\*) Term: **15 Years**

(21) Appl. No.: **29/546,032**

(22) Filed: **Nov. 18, 2015**

(30) **Foreign Application Priority Data**

May 20, 2015 (JP) ..... D2015-011003  
May 20, 2015 (JP) ..... D2015-011022  
(Continued)

(51) **LOC (10) Cl.** ..... **13-03**

(52) **U.S. Cl.**  
USPC ..... **D13/180**

(58) **Field of Classification Search**  
USPC ..... D13/180; D26/1  
(Continued)

(56) **References Cited**

**U.S. PATENT DOCUMENTS**

D618,635 S \* 6/2010 Imai ..... D13/180  
D658,603 S \* 5/2012 Egawa ..... D13/180  
(Continued)

**FOREIGN PATENT DOCUMENTS**

JP D1465336 3/2013  
JP D1465337 3/2013  
(Continued)

**OTHER PUBLICATIONS**

Design U.S. Appl. No. 29/504,423, filed Oct. 6, 2014.  
Design U.S. Appl. No. 29/504,427, filed Oct. 6, 2014.

*Primary Examiner* — Selina Sikder

(74) *Attorney, Agent, or Firm* — Wenderoth, Lind & Ponack, L.L.P.

(57) **CLAIM**

The ornamental design for light-emitting diode, as shown and described.

**DESCRIPTION**

FIG. 1 is a top perspective view of a first embodiment of a light-emitting diode showing an upper surface with front and left side surfaces;

FIG. 2 is a bottom perspective view thereof showing a bottom surface with rear and right side surfaces;

FIG. 3 is a front view thereof, a rear view being identical to FIG. 3;

FIG. 4 is a top plan view thereof;

FIG. 5 is a bottom plan view thereof;

FIG. 6 is a left side view thereof, a right side view being a mirror image of FIG. 6;

FIG. 7 is a top perspective view of a second embodiment of a light-emitting diode showing an upper surface with front and left side surfaces;

FIG. 8 is a bottom perspective view thereof showing a bottom surface with rear and right side surfaces;

FIG. 9 is a front view thereof, a rear view being identical to FIG. 9;

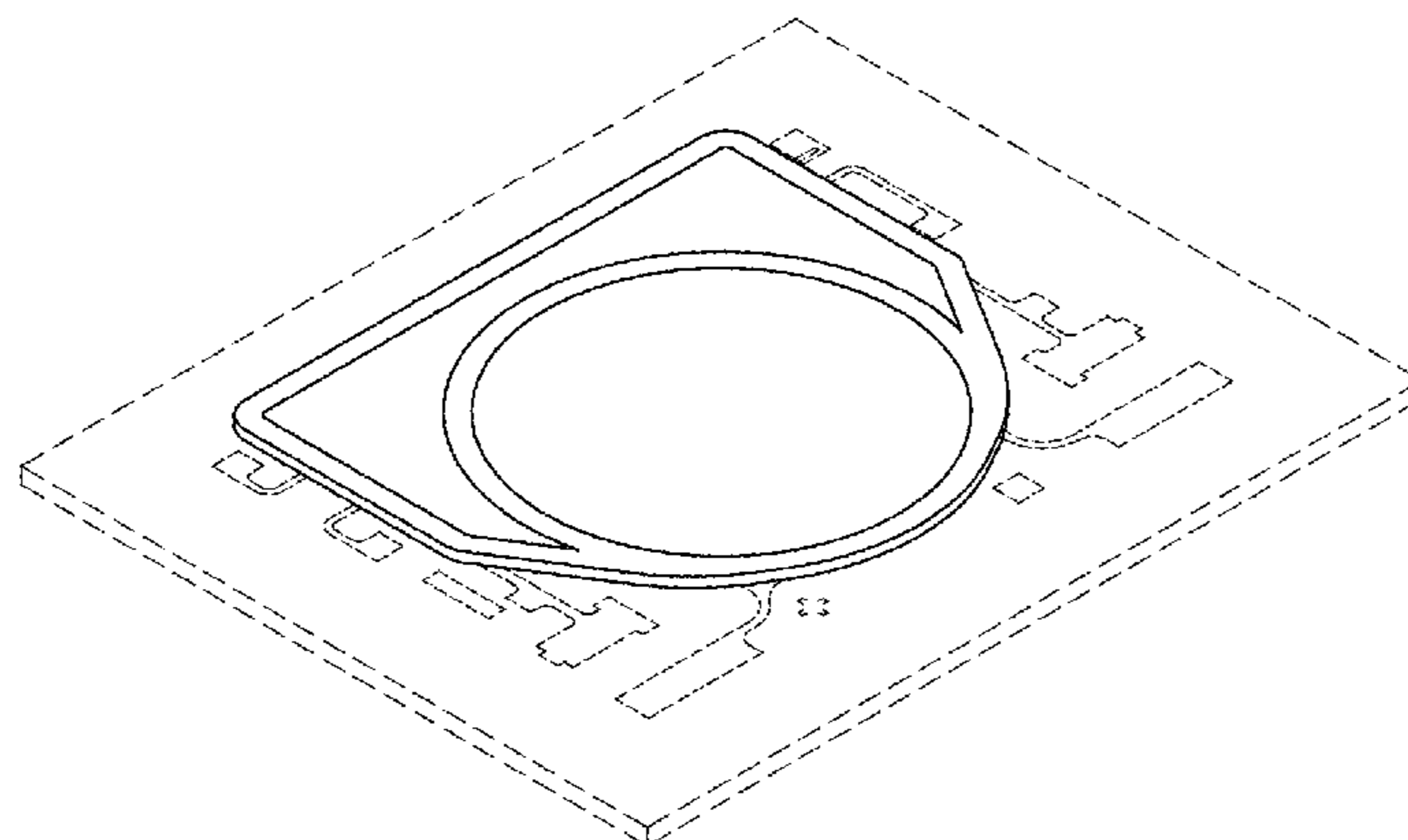
FIG. 10 is a top plan view thereof;

FIG. 11 is a bottom plan view thereof; and,

FIG. 12 is a left side view thereof, a right side view being a mirror image of FIG. 12.

The broken lines shown herein are for illustrative purpose only and form no part of the claimed design.

**1 Claim, 6 Drawing Sheets**



(30) **Foreign Application Priority Data**

May 20, 2015 (JP) ..... D2015-011023  
 May 20, 2015 (JP) ..... D2015-011024  
 May 20, 2015 (JP) ..... D2015-011026

(58) **Field of Classification Search**

CPC ... H01L 25/167; H01L 25/0753; H01L 27/15;  
 H01L 27/156; H01L 31/02; H01L 33/00;  
 H01L 33/04; H01L 33/08; H01L 33/10;  
 H01L 33/20; H01L 33/38; H01L 33/42;  
 H01L 33/4862; H01L 33/483; H01L  
 33/486

See application file for complete search history.

(56) **References Cited**

U.S. PATENT DOCUMENTS

D669,041 S \* 10/2012 Imai ..... D13/180  
 D683,708 S \* 6/2013 Sasano ..... D13/180  
 8,633,499 B2 \* 1/2014 Shimonishi ..... H01L 25/0753  
 257/88  
 D714,236 S 9/2014 Watanabe et al.  
 D727,860 S 4/2015 Watanabe et al.

9,046,226 B2 \* 6/2015 Shimozawa ..... F21K 9/56  
 9,059,376 B2 \* 6/2015 Chou ..... H01L 25/0753  
 9,130,140 B2 \* 9/2015 Tsuchiya ..... H01L 33/641  
 9,219,203 B2 \* 12/2015 Hata ..... H01L 25/0753  
 D762,182 S \* 7/2016 Akiyama ..... D13/180  
 D766,196 S \* 9/2016 Akiyama ..... D13/180  
 2010/0320483 A1 \* 12/2010 Kadotani ..... F21K 9/00  
 257/88  
 2011/0084297 A1 \* 4/2011 Ogata ..... B29C 33/0016  
 257/98  
 2011/0140144 A1 \* 6/2011 Lim ..... H01L 33/54  
 257/98  
 2012/0106155 A1 \* 5/2012 Hata ..... F21V 11/06  
 362/249.02  
 2013/0193462 A1 \* 8/2013 Ishizaki ..... F21V 3/00  
 257/88  
 2014/0268783 A1 \* 9/2014 Agatani ..... H01L 25/0753  
 362/249.06

FOREIGN PATENT DOCUMENTS

JP D1465486 3/2013  
 JP D1481437 10/2013  
 JP D1532207 8/2015

\* cited by examiner

Fig. 1

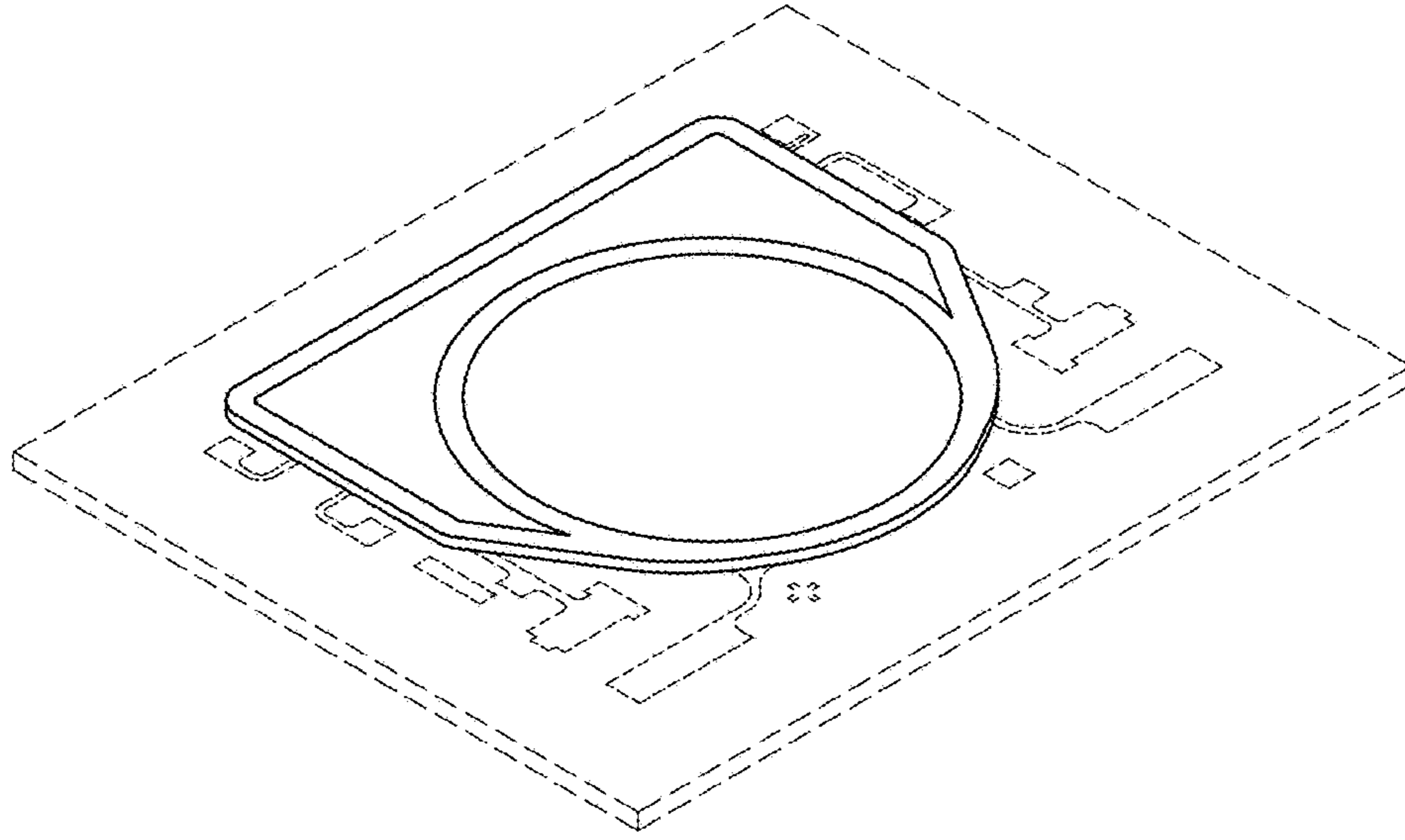


Fig. 2

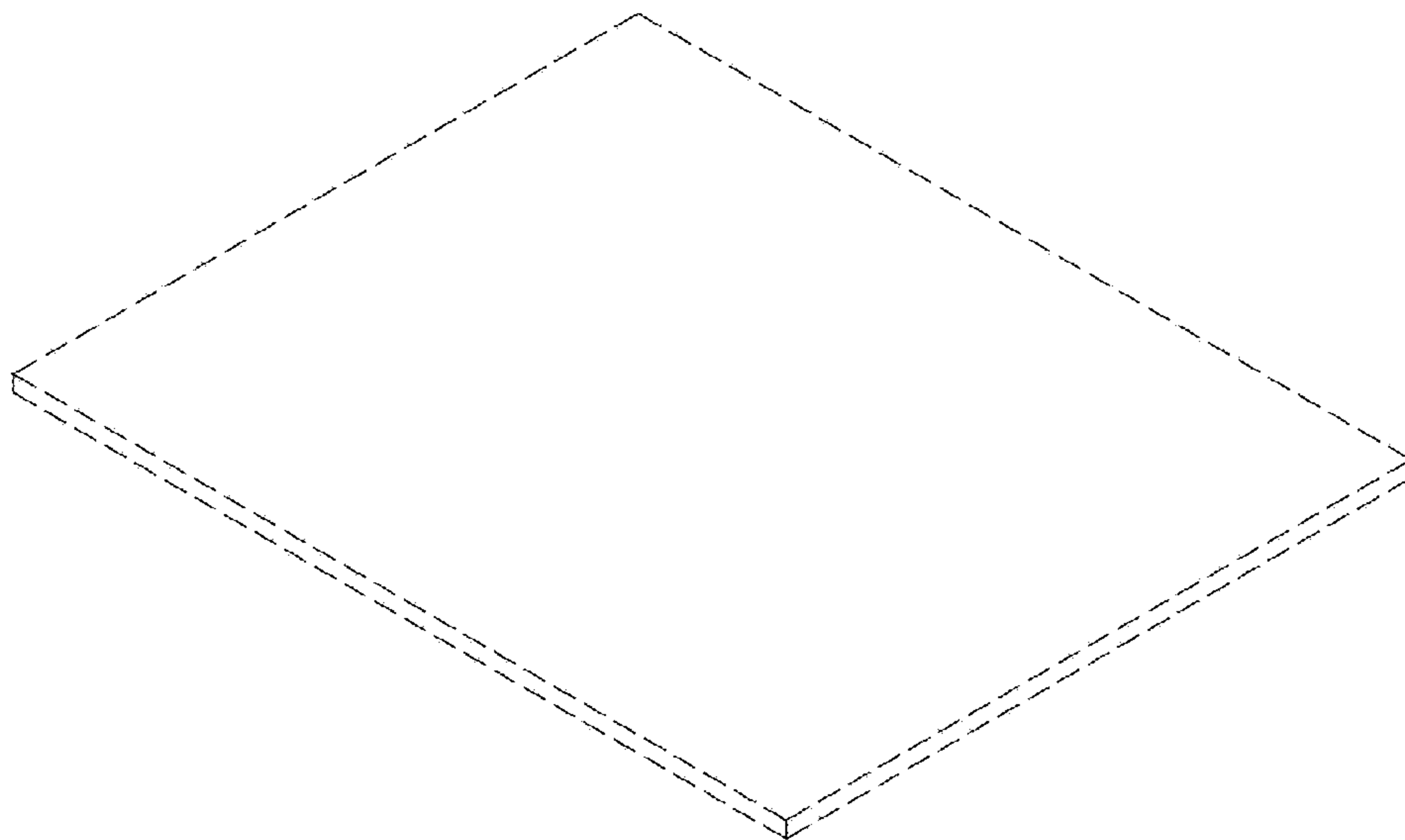


Fig. 3

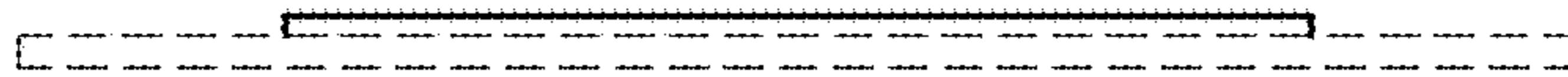


Fig. 4

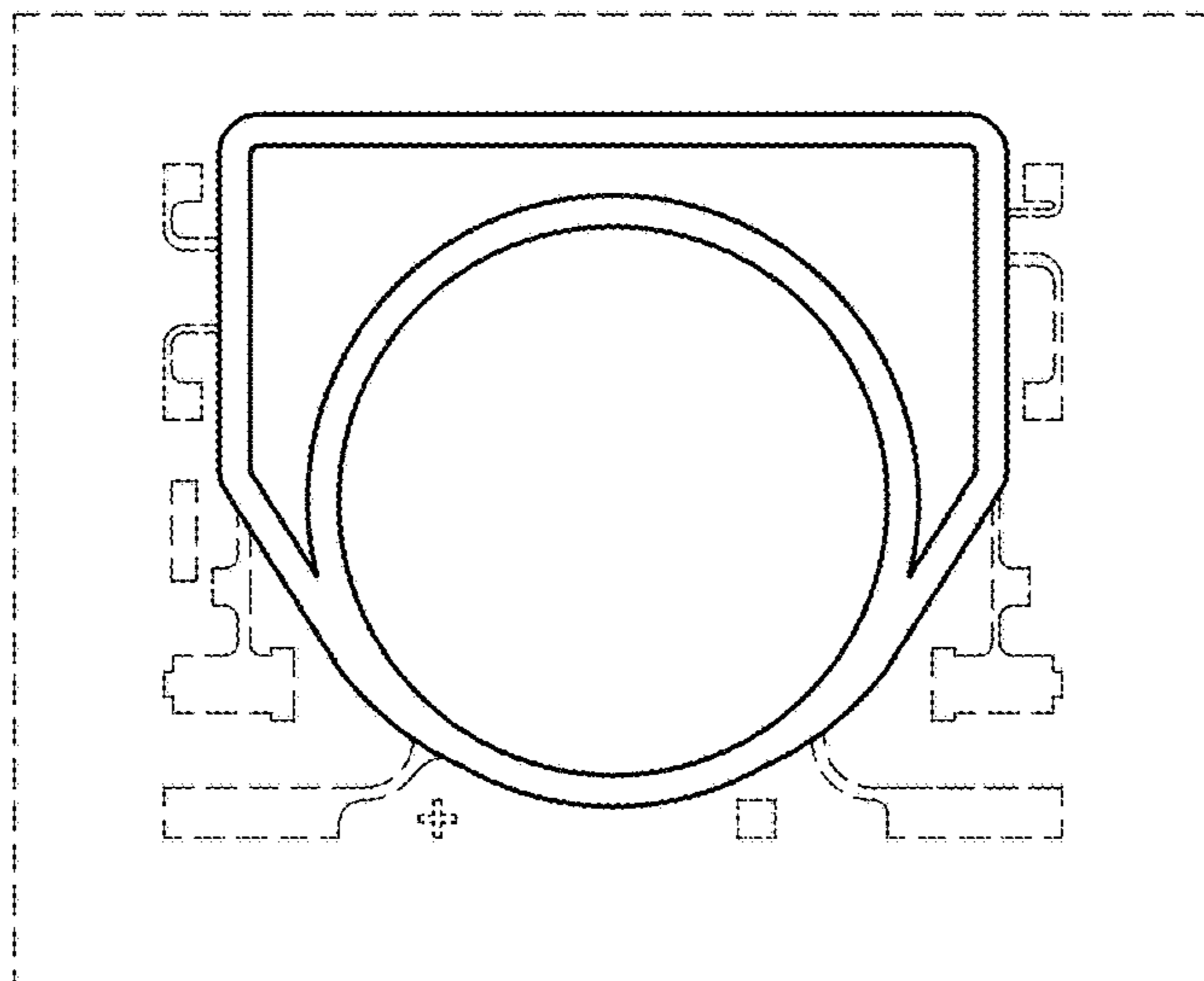


Fig. 5



Fig. 6

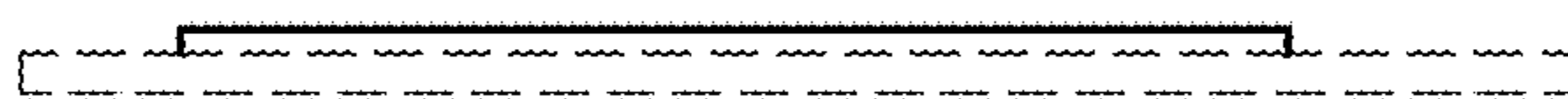


Fig. 7

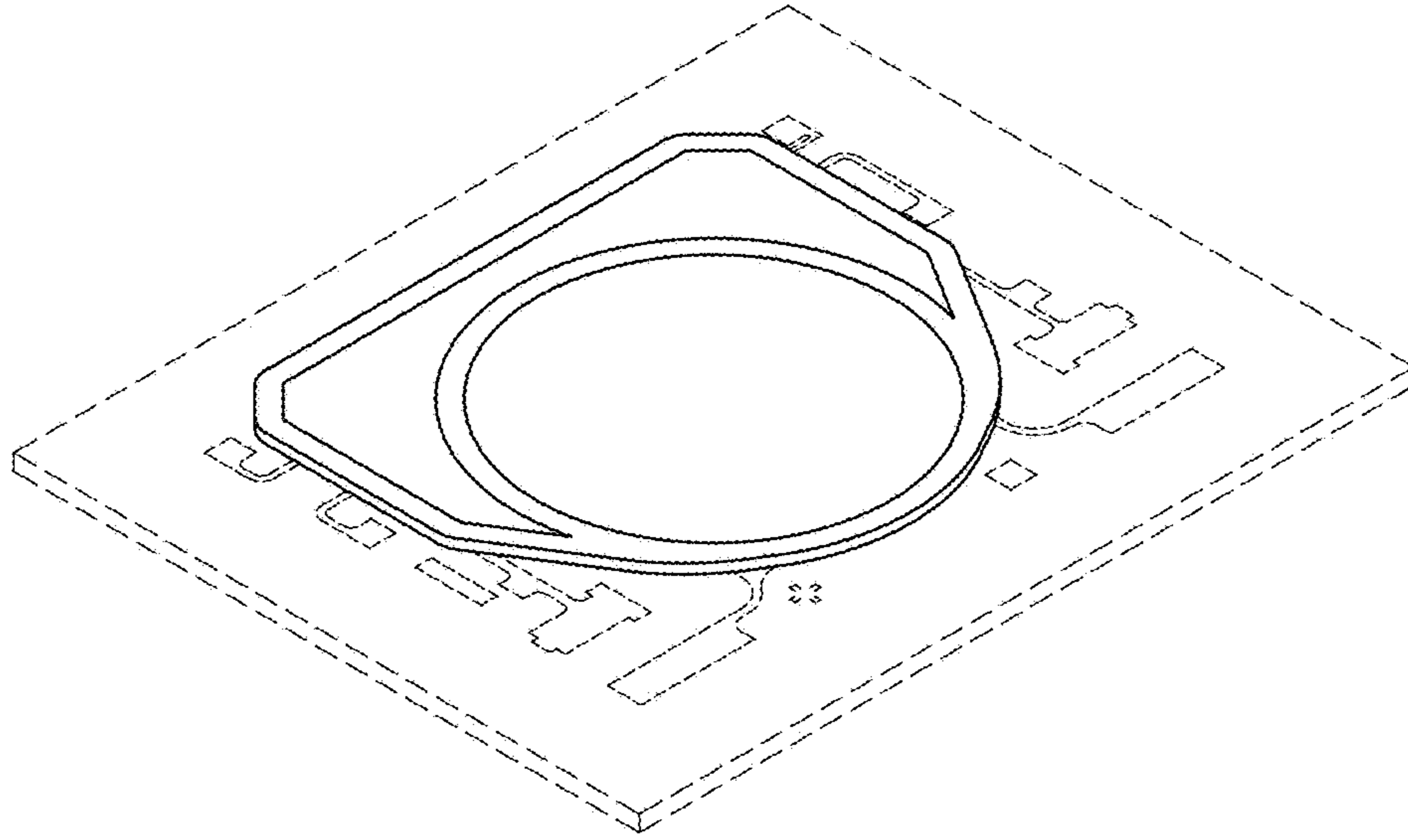


Fig. 8

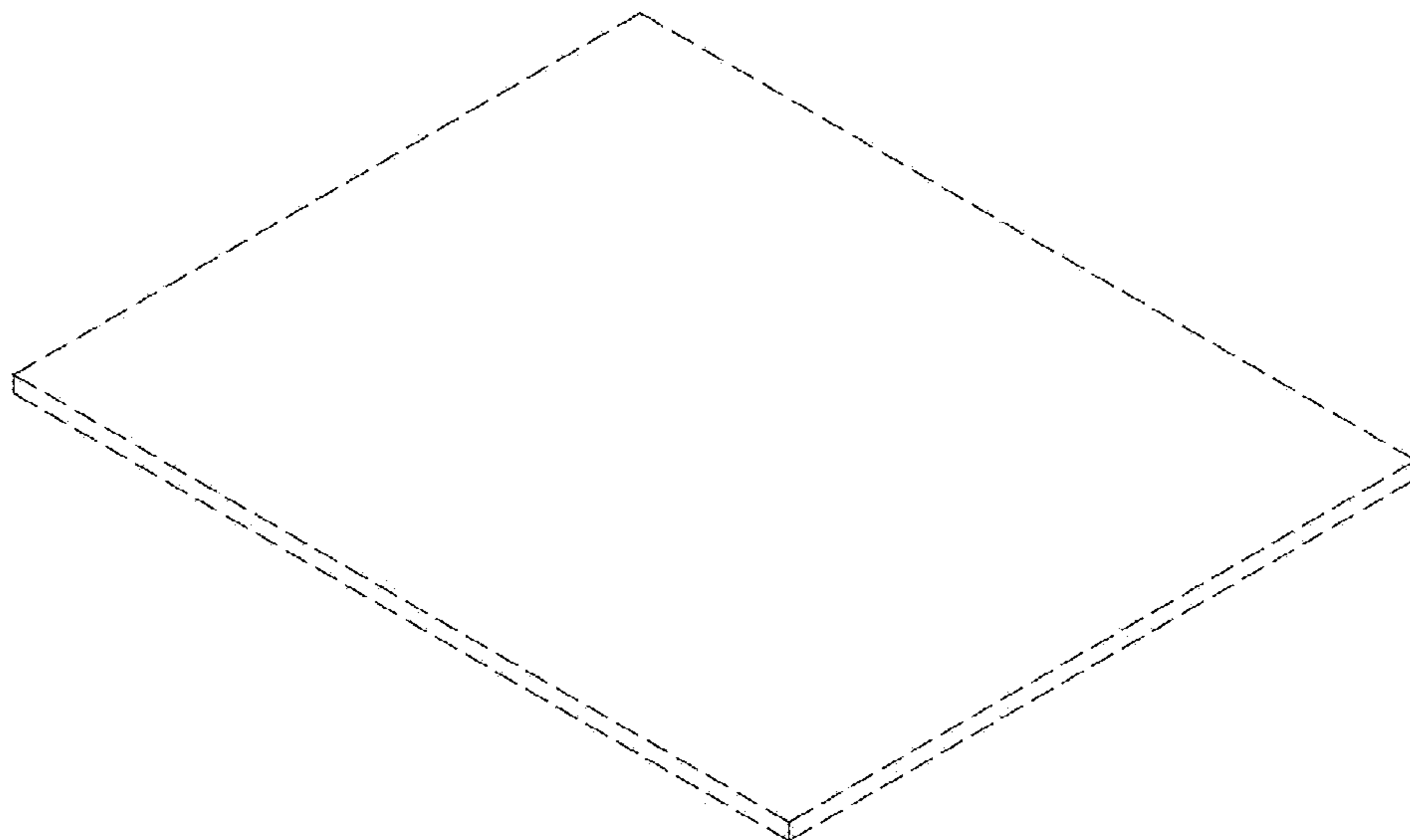


Fig. 9

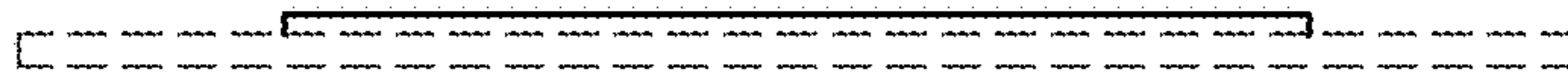


Fig. 10

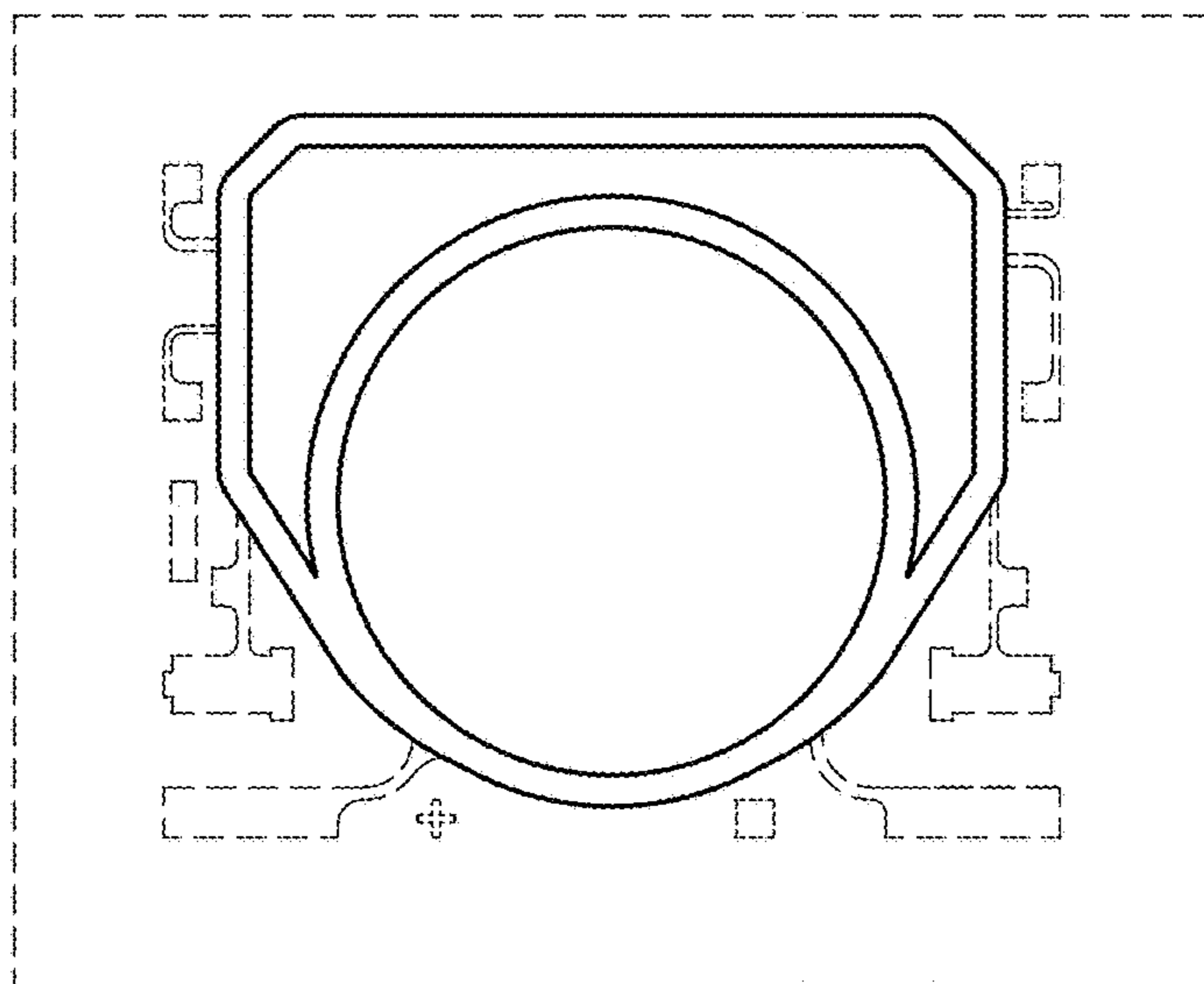


Fig. 11



Fig. 12

