



US00D786807S

(12) **United States Design Patent** (10) **Patent No.:** **US D786,807 S**  
**Murphy et al.** (45) **Date of Patent:** **\*\* May 16, 2017**

(54) **HEAT SINK**

(71) Applicant: **General Electric Company**,  
Schenectady, NY (US)  
(72) Inventors: **Mark Allen Murphy**, Erie, PA (US);  
**Aiqin Jiang**, Shanghai (CN); **Satish**  
**Dattatray Kharshikar**, Shanghai (CN);  
**Sachin Vrajajal Kanetkar**, Shanghai  
(CN)

(73) Assignee: **General Electric Company**,  
Schenectady, NY (US)

(\*\*) Term: **15 Years**

(21) Appl. No.: **29/548,293**

(22) Filed: **Dec. 11, 2015**

**Related U.S. Application Data**

(62) Division of application No. 29/502,869, filed on Sep.  
19, 2014, now Pat. No. Des. 747,278.

(51) **LOC (10) Cl.** ..... **13-03**

(52) **U.S. Cl.**  
USPC ..... **D13/179**

(58) **Field of Classification Search**

USPC ..... D13/179  
CPC ..... F28D 1/0246; F28D 1/0426; F28D 15/02;  
F28D 15/0266; F28D 15/0275; F28D  
15/04; F28F 13/003; F28F 13/12; F28F  
1/325; F04D 25/0613; F04D 25/068;  
F04D 29/281422; F21V 29/2293; F21V  
29/2231; G03B 21/16; G06F 1/20; G06F  
1/203; H01L 23/34; H01L 23/367; H01L  
23/3672; H01L 23/40; H01L 23/4006;  
H01L 23/4093; H01L 23/427; H01L  
23/467; H05K 7/20; H05K 7/20127;  
H05K 7/20145; H05K 7/20154; H05K  
7/20172; H05K 7/20336

See application file for complete search history.

(56) **References Cited**

U.S. PATENT DOCUMENTS

5,323,845 A \* 6/1994 Kin-shon ..... H01L 23/4093  
165/80.3  
5,368,094 A \* 11/1994 Hung ..... H01L 23/4006  
165/121  
5,430,610 A \* 7/1995 Hung ..... H01L 23/4093  
165/122

(Continued)

*Primary Examiner* — Selina Sikder

(74) *Attorney, Agent, or Firm* — John A. Kramer; GE  
Global Patent

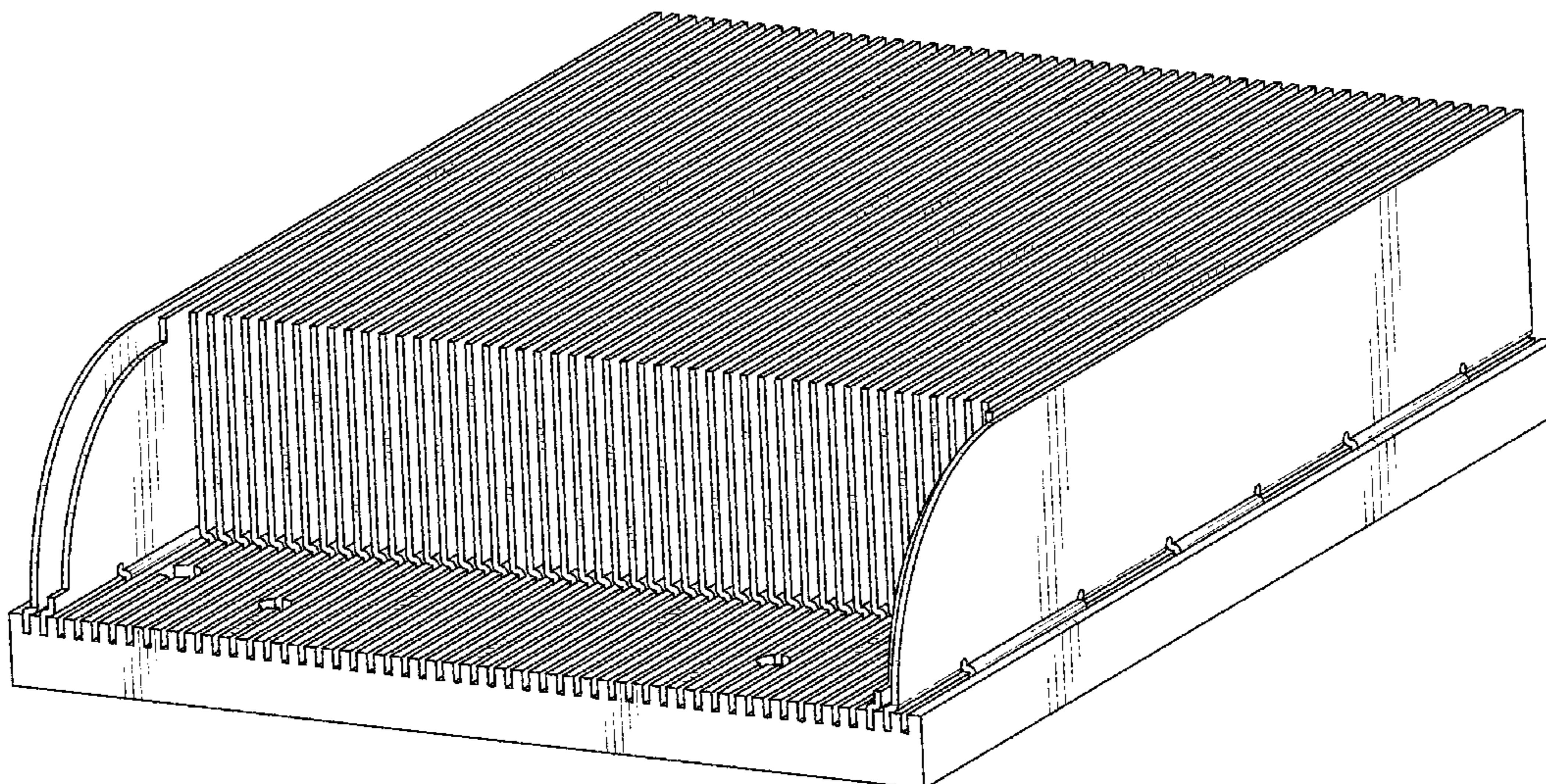
(57) **CLAIM**

The ornamental design for a heat sink, as shown and  
described.

**DESCRIPTION**

FIG. 1 is a perspective view of a heat sink depicting an  
embodiment of our new design;  
FIG. 2 is an opposite perspective view thereof;  
FIG. 3 is a front elevational view thereof;  
FIG. 4 is a rear elevational view thereof;  
FIG. 5 is a left side elevational view thereof;  
FIG. 6 is a right side elevational view thereof;  
FIG. 7 is a top plan view thereof;  
FIG. 8 is a bottom plan view thereof;  
FIG. 9 is a perspective view of a heat sink depicting a second  
embodiment our new design;  
FIG. 10 is a front elevational view thereof;  
FIG. 11 is a rear elevational view thereof;  
FIG. 12 is a left side elevational view thereof;  
FIG. 13 is a right side elevational view thereof;  
FIG. 14 is a top plan view thereof; and,  
FIG. 15 is a bottom plan view thereof.  
The broken lines indicate unclaimed portions and form no  
part of the claimed design.

**1 Claim, 11 Drawing Sheets**



(56)

**References Cited**

U.S. PATENT DOCUMENTS

5,574,626 A *	11/1996	Smith	.....	H01L 23/367	7,040,384 B2 *	5/2006	Shiang-Chich	.....	G06F 1/20
				165/185					165/104.34
5,678,627 A *	10/1997	Lee	.....	H01L 23/4093	D529,873 S *	10/2006	He	.....	D13/179
				165/121	7,391,615 B2 *	6/2008	Fu	.....	H01L 23/4093
5,724,228 A *	3/1998	Lee	.....	H01L 23/467					165/185
				165/122	7,447,020 B2 *	11/2008	Xia	.....	H01L 23/3672
5,829,512 A *	11/1998	August	.....	H01L 21/4878					257/E23.099
				165/185	7,532,468 B2 *	5/2009	Sun	.....	H01L 23/467
6,161,611 A *	12/2000	Cheng	.....	H01L 23/4093					165/185
				165/185	7,815,316 B2 *	10/2010	Sun	.....	H04N 9/3144
D453,744 S *	2/2002	Lee	.....	D13/179					165/80.3
6,459,583 B1 *	10/2002	Lo	.....	H01L 23/4093	D672,322 S *	12/2012	Lin	.....	D13/179
				165/80.3	D672,728 S *	12/2012	Lin	.....	D13/179
6,470,962 B1 *	10/2002	Pao	.....	H01L 23/4093	D672,729 S *	12/2012	Lin	.....	D13/179
				165/185	D672,730 S *	12/2012	Lin	.....	D13/179
D465,462 S *	11/2002	Hsieh	.....	D13/179	8,498,116 B2 *	7/2013	Siracki	.....	H01L 21/4882
D474,754 S *	5/2003	Tan	.....	D13/179					165/185
6,560,111 B1 *	5/2003	Lo	.....	H01L 23/4006	8,498,118 B2 *	7/2013	Wang	.....	G06F 1/20
				165/80.3					165/104.33
6,621,704 B1 *	9/2003	Liu	.....	H01L 23/4093	D698,740 S *	2/2014	Schubert	.....	D13/179
				174/16.3	8,780,563 B2 *	7/2014	Lostoski	.....	H01L 23/4093
D481,017 S *	10/2003	Hsia	.....	D13/179					165/80.2
D492,265 S *	6/2004	Chu	.....	D13/179	D747,278 S *	1/2016	Murphy	.....	D13/179
7,006,353 B2 *	2/2006	Matteson	.....	H01L 23/42	2005/0072555 A1 *	4/2005	Sheng-Hsiung	....	H01L 23/4093
				165/185					165/80.3
					2008/0011451 A1 *	1/2008	Wang	.....	H01L 23/367
									165/80.3

\* cited by examiner

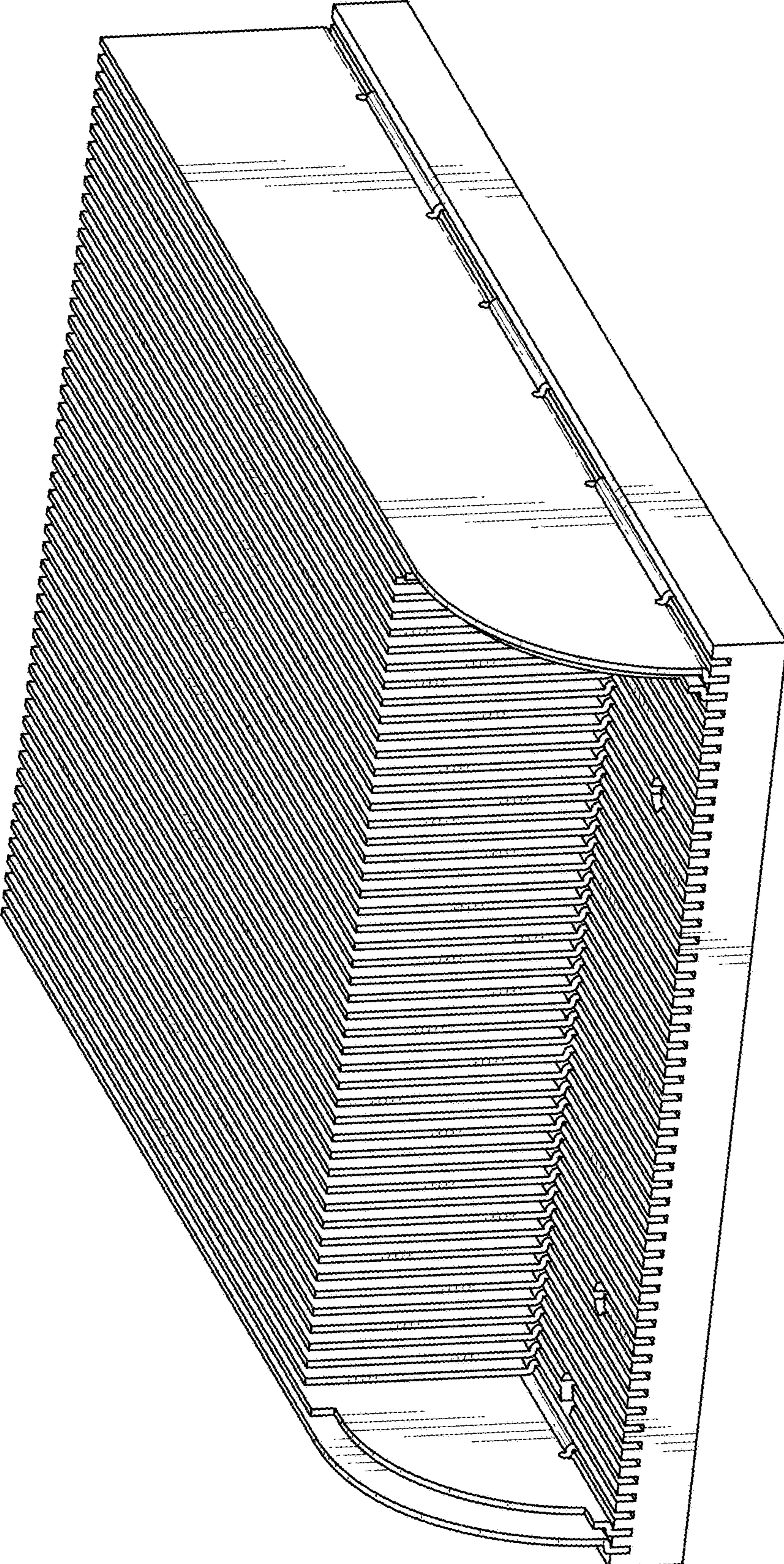


FIG. 1

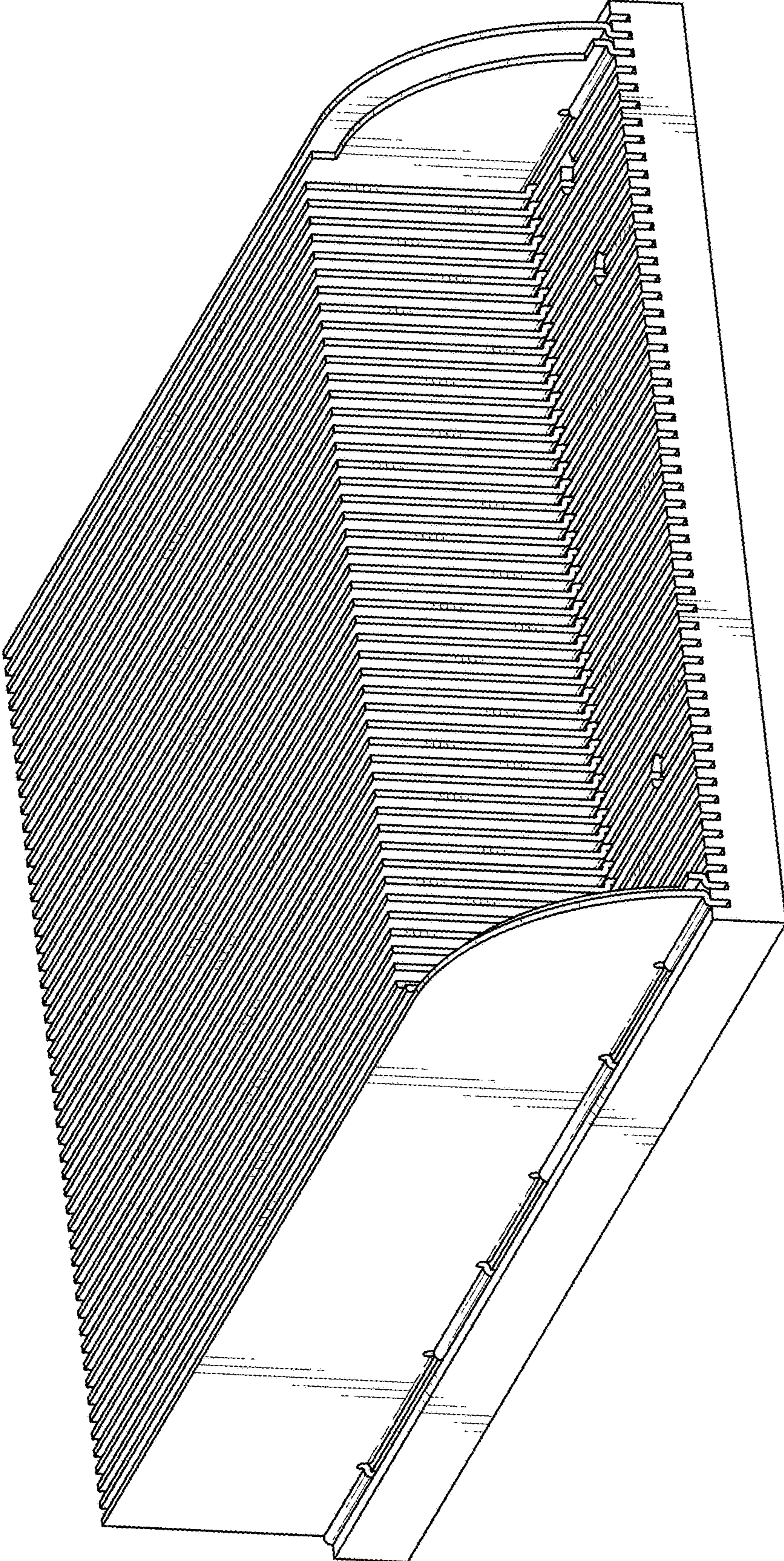


FIG. 2

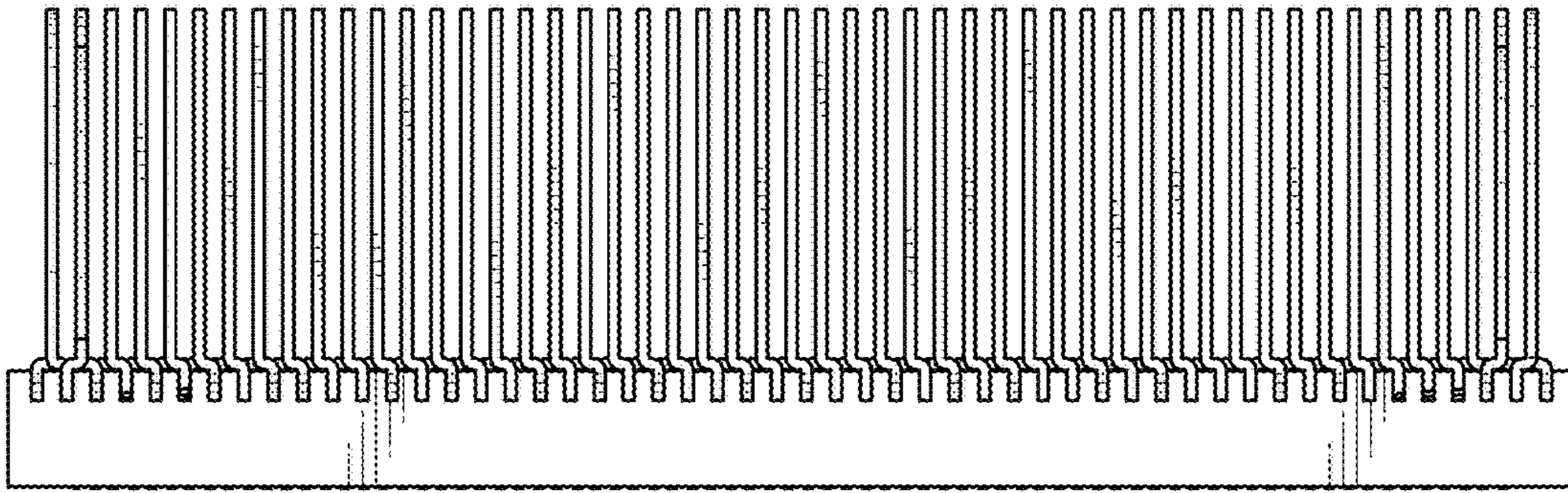


FIG. 3

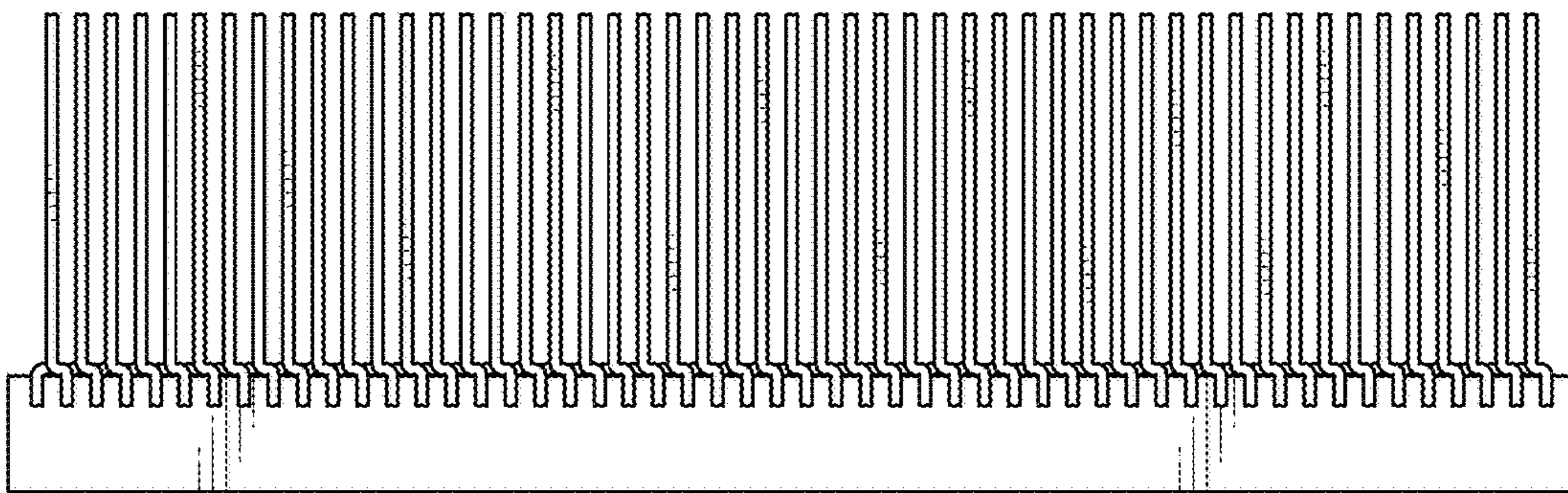


FIG. 4

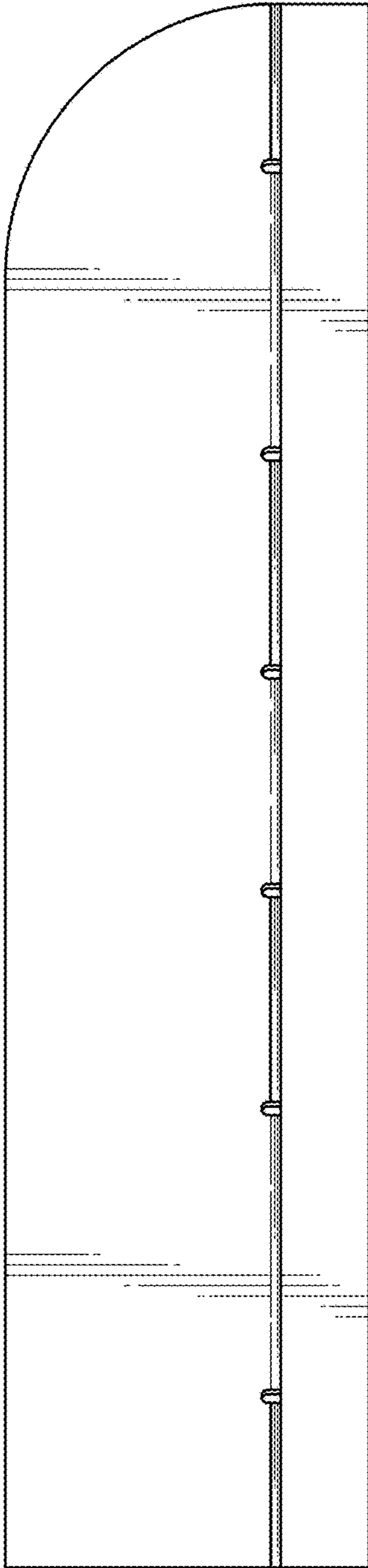


FIG. 5

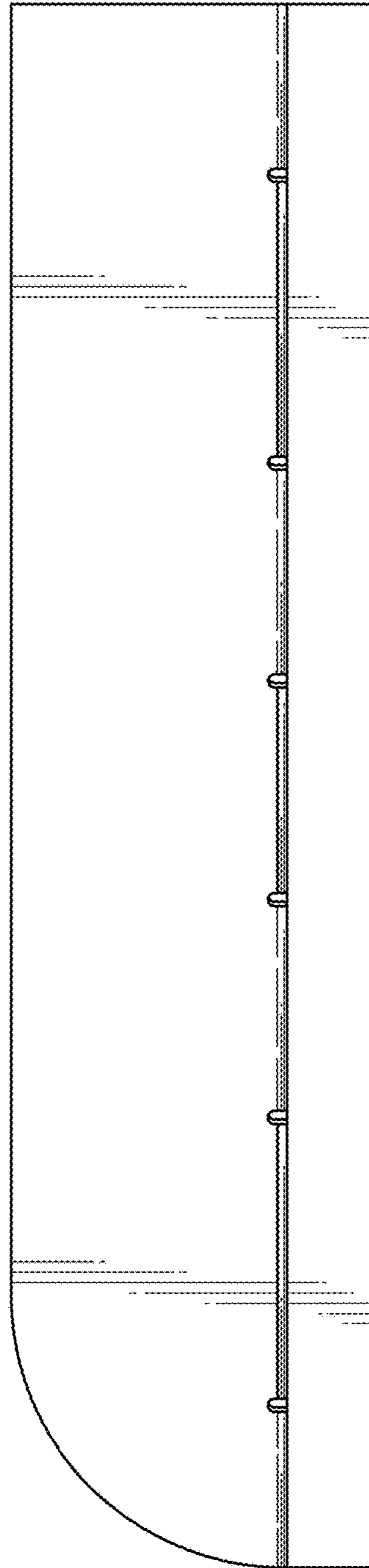


FIG. 6

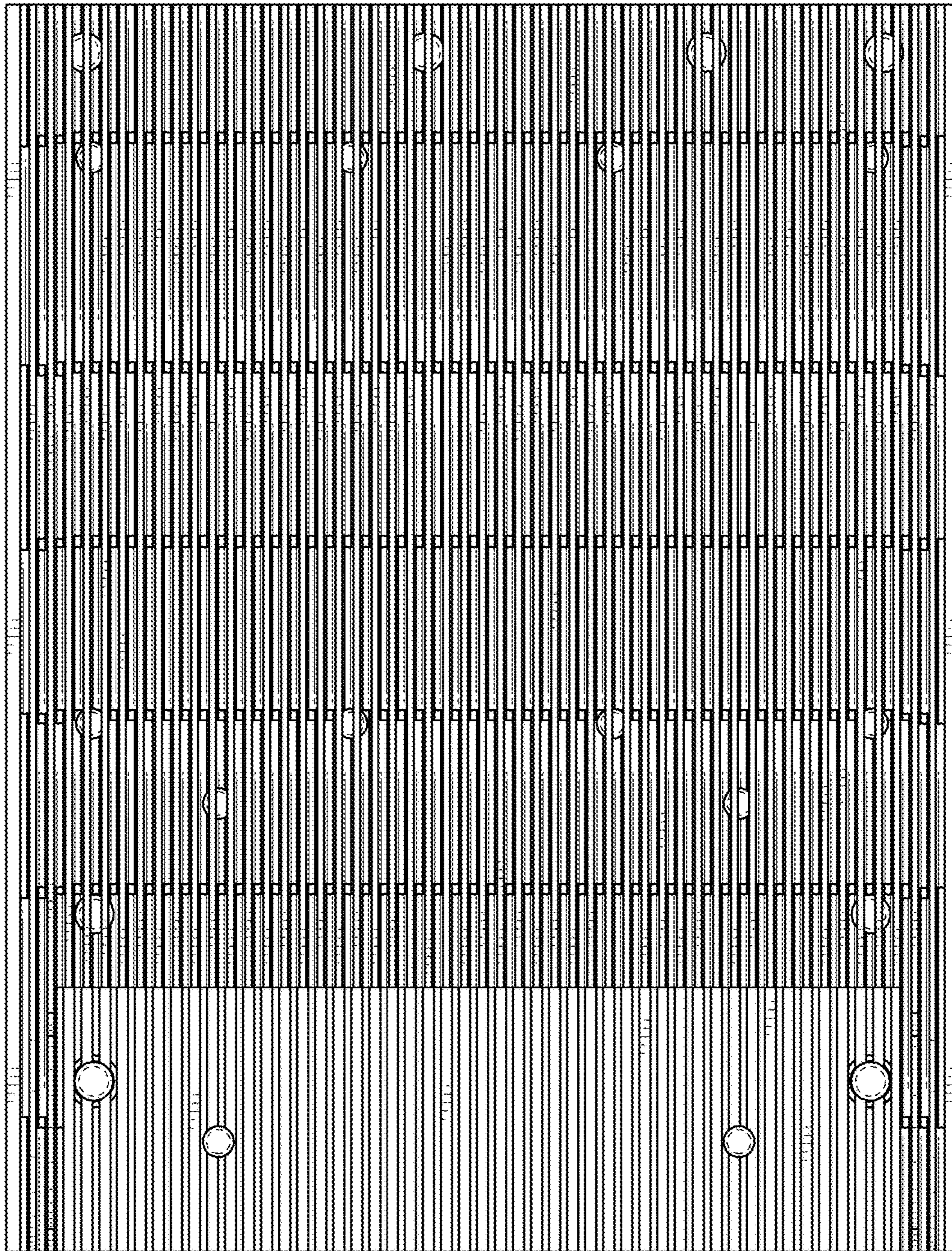


FIG. 7

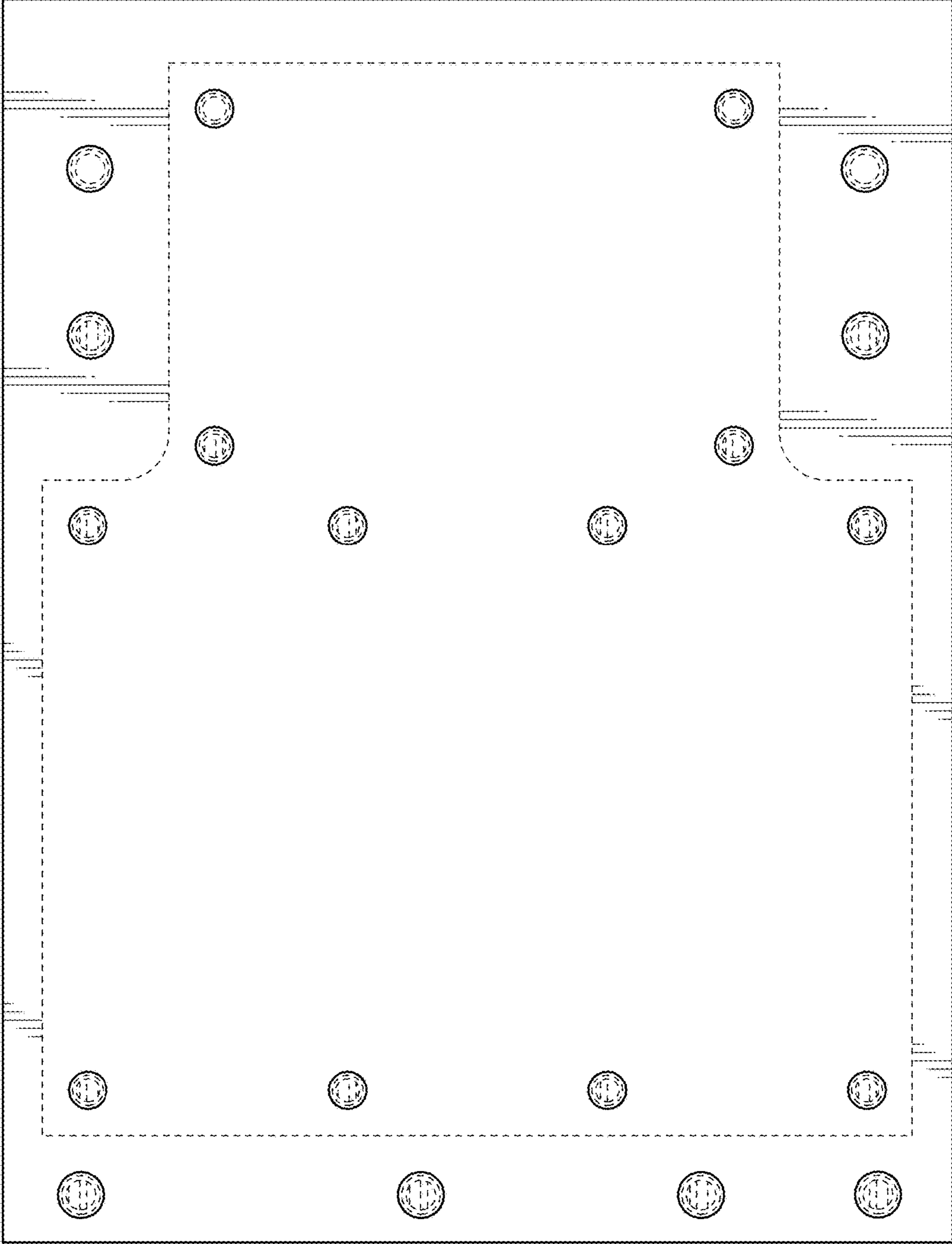


FIG. 8



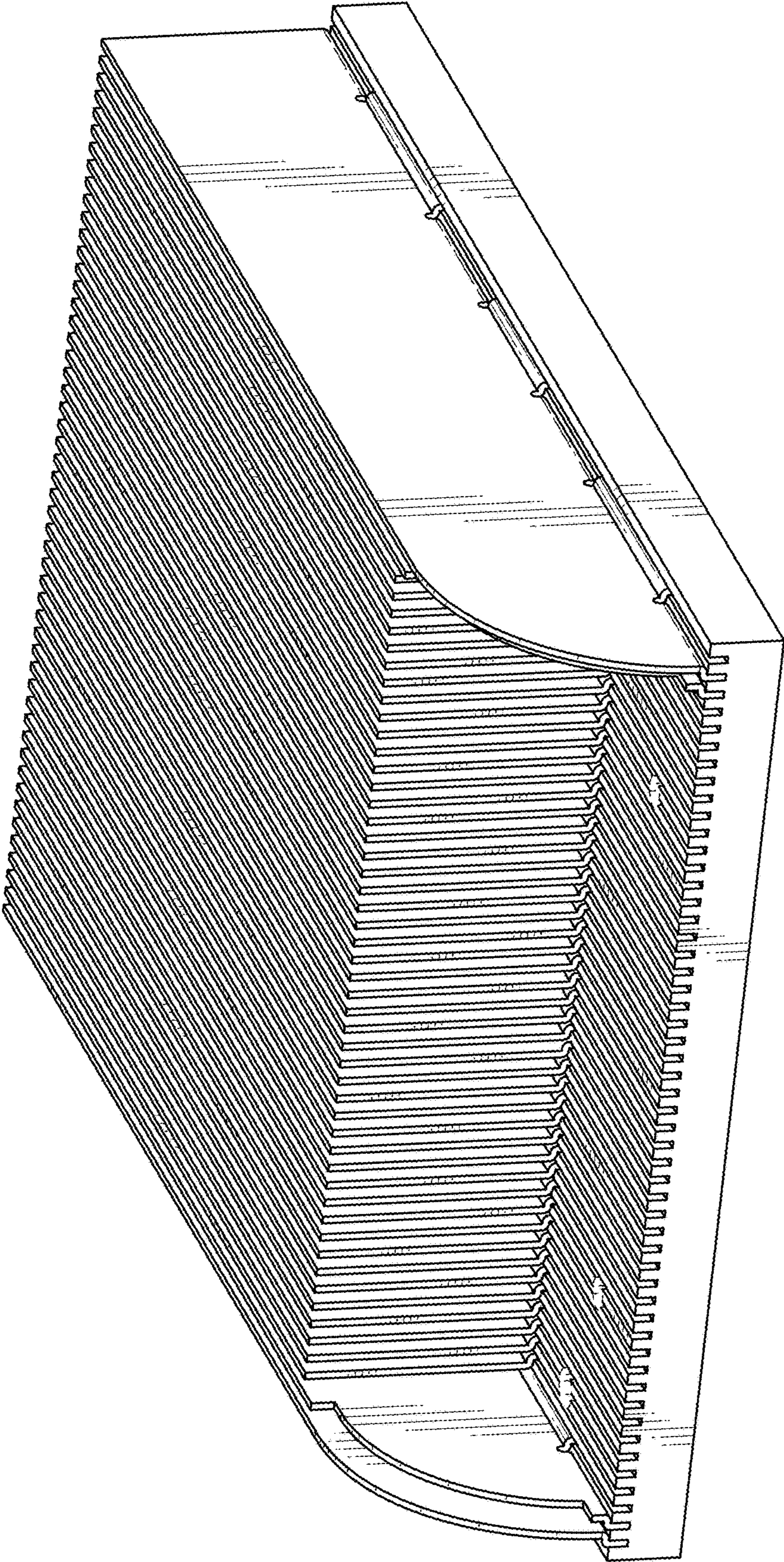


FIG. 9

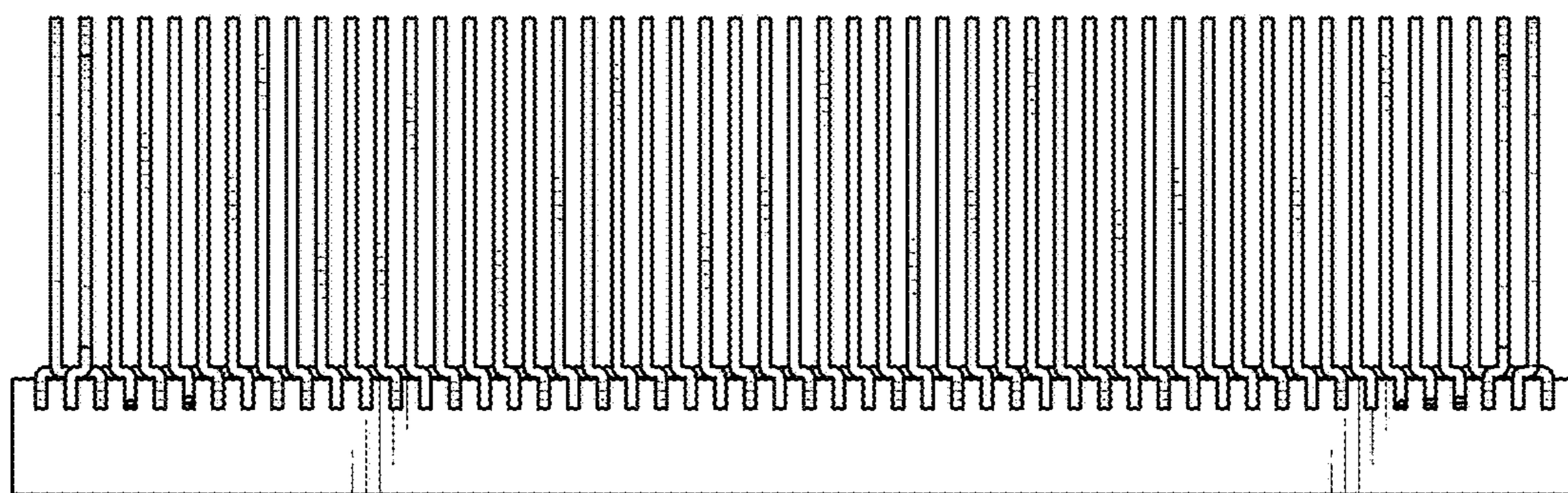


FIG. 10

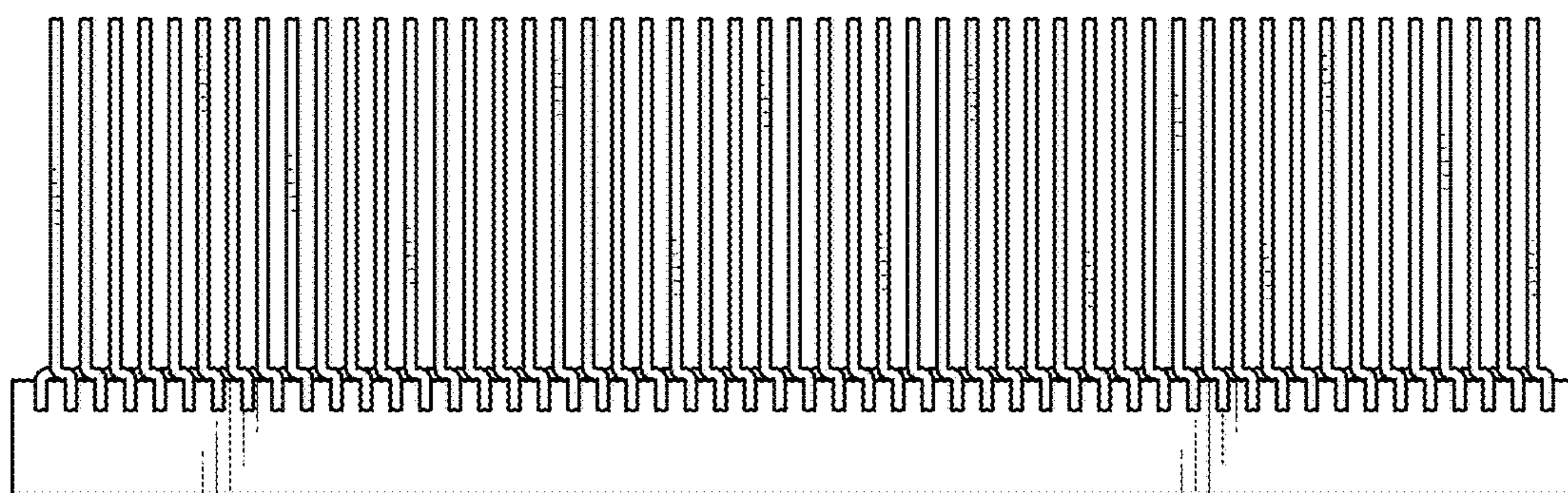


FIG. 11

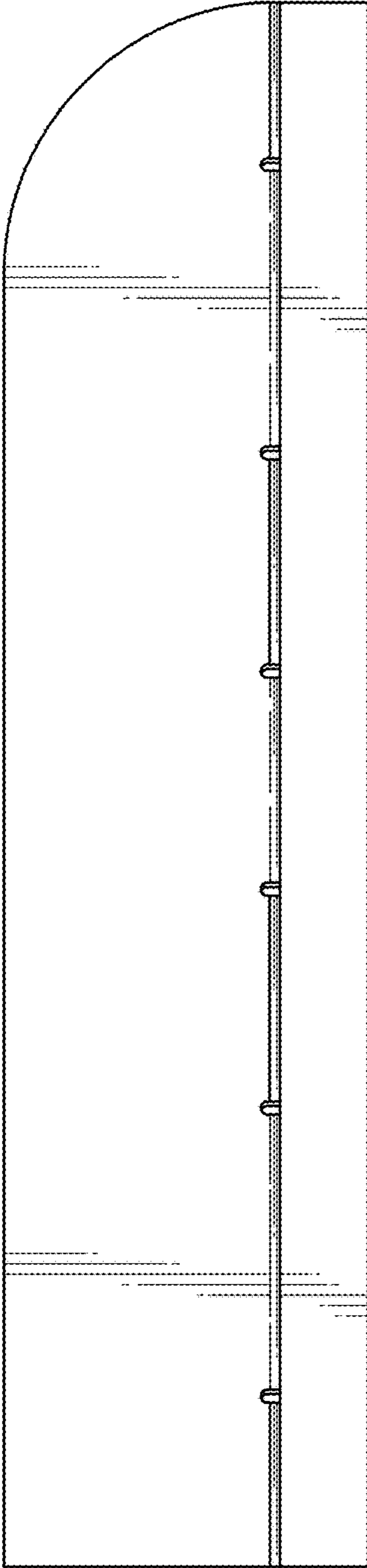


FIG. 12

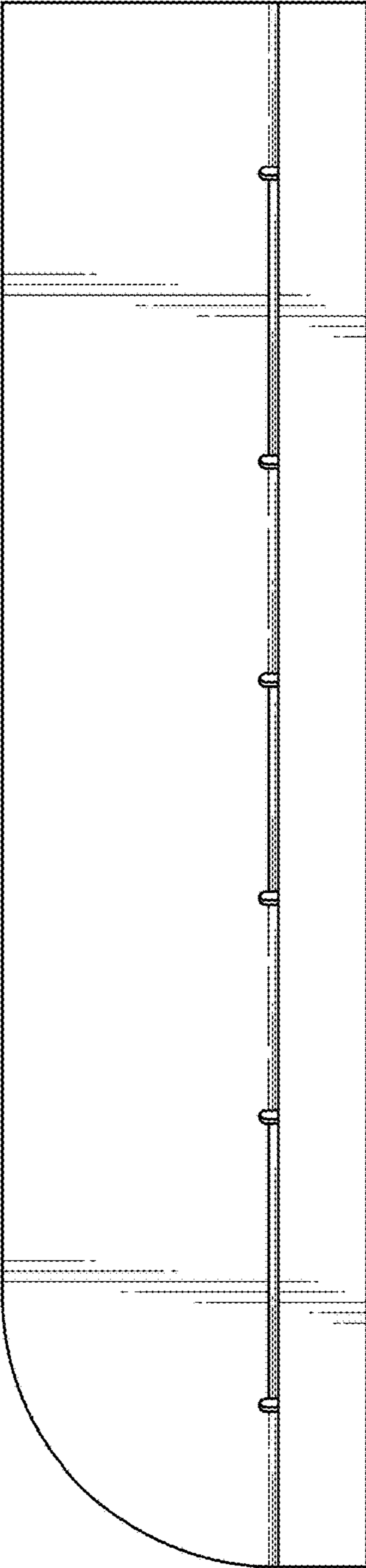


FIG. 13

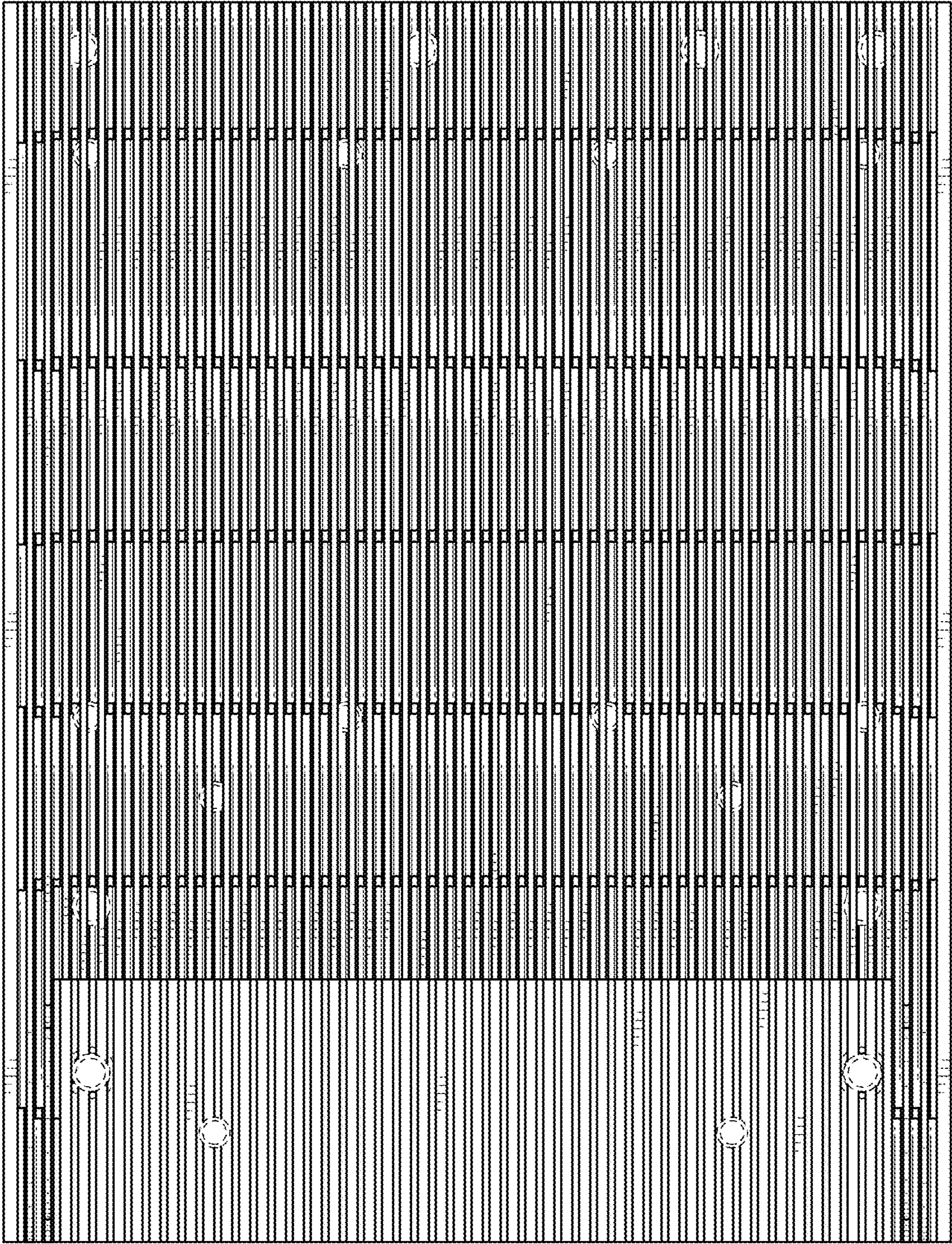


FIG. 14

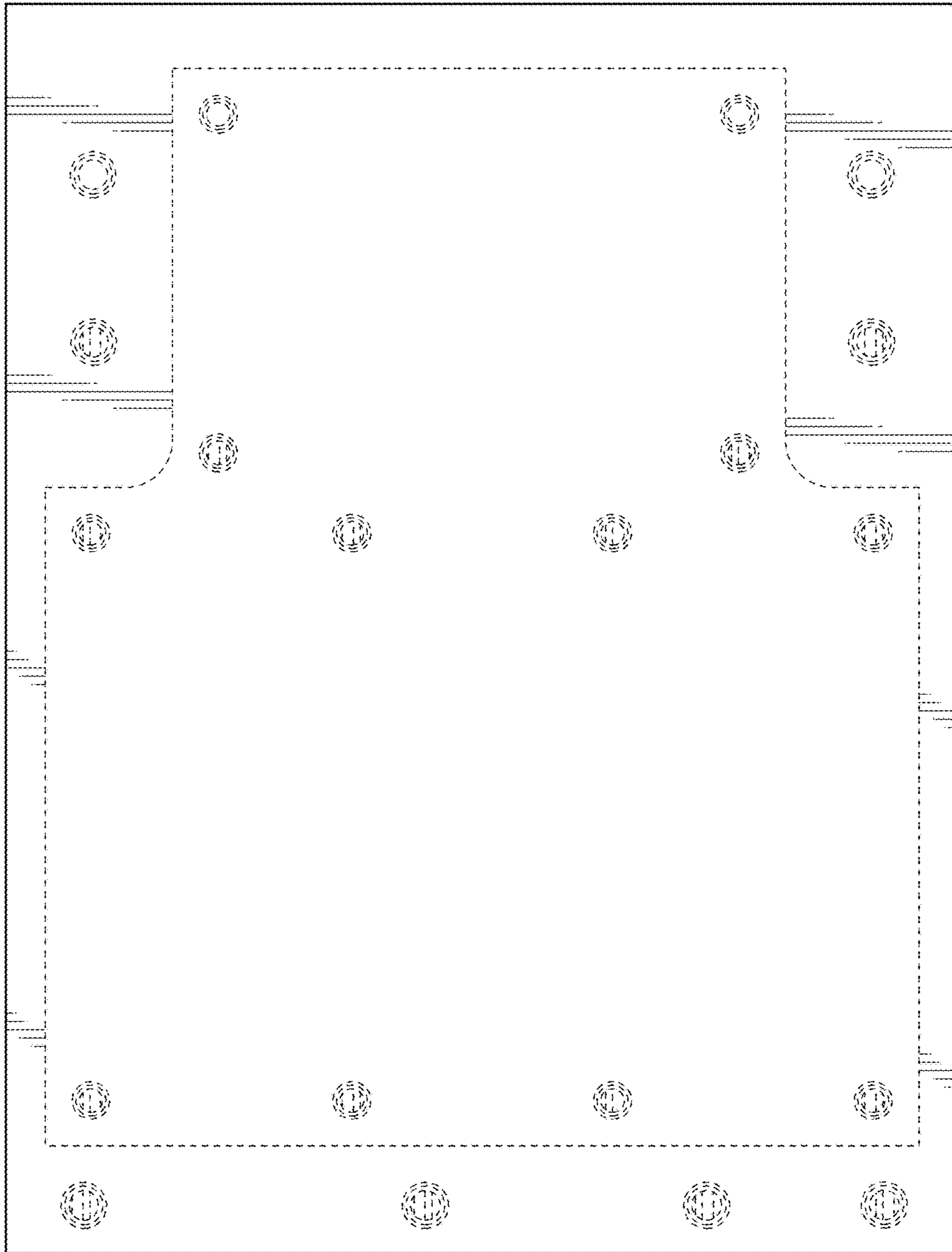


FIG. 15