



US00D786802S

(12) **United States Design Patent** (10) **Patent No.:** **US D786,802 S**
Majewski (45) **Date of Patent:** **** *May 16, 2017**

(54) **CIRCUIT BREAKER**

(56) **References Cited**

(71) Applicant: **ABB Stotz-Kontakt GmbH**,
Heidelberg (DE)

(72) Inventor: **Joachim Majewski**, Dossenheim (DE)

(73) Assignee: **ABB Stotz-Kontakt GMBH**,
Heidelberg (DE)

U.S. PATENT DOCUMENTS

D206,006 S	*	10/1966	Camp et al.	D13/160
D233,241 S	*	10/1974	Mune	D13/160
D281,156 S	*	10/1985	Harper	D13/160
D550,630 S	*	9/2007	Wang et al.	D13/160
D658,135 S	*	4/2012	Weber et al.	D13/160
D658,136 S	*	4/2012	Weber et al.	D13/160

* cited by examiner

(*) Notice: This patent is subject to a terminal disclaimer.

Primary Examiner — Thomas Johannes
 (74) *Attorney, Agent, or Firm* — Taft Stettinius & Hollister LLP

(**) Term: **14 Years**

(57) **CLAIM**

(21) Appl. No.: **29/448,591**

The ornamental design for a circuit breaker, as shown and described.

(22) Filed: **Mar. 13, 2013**

DESCRIPTION

(30) **Foreign Application Priority Data**

Sep. 28, 2012 (EM) 002110890-0002

(51) **LOC (10) Cl.** **13-03**

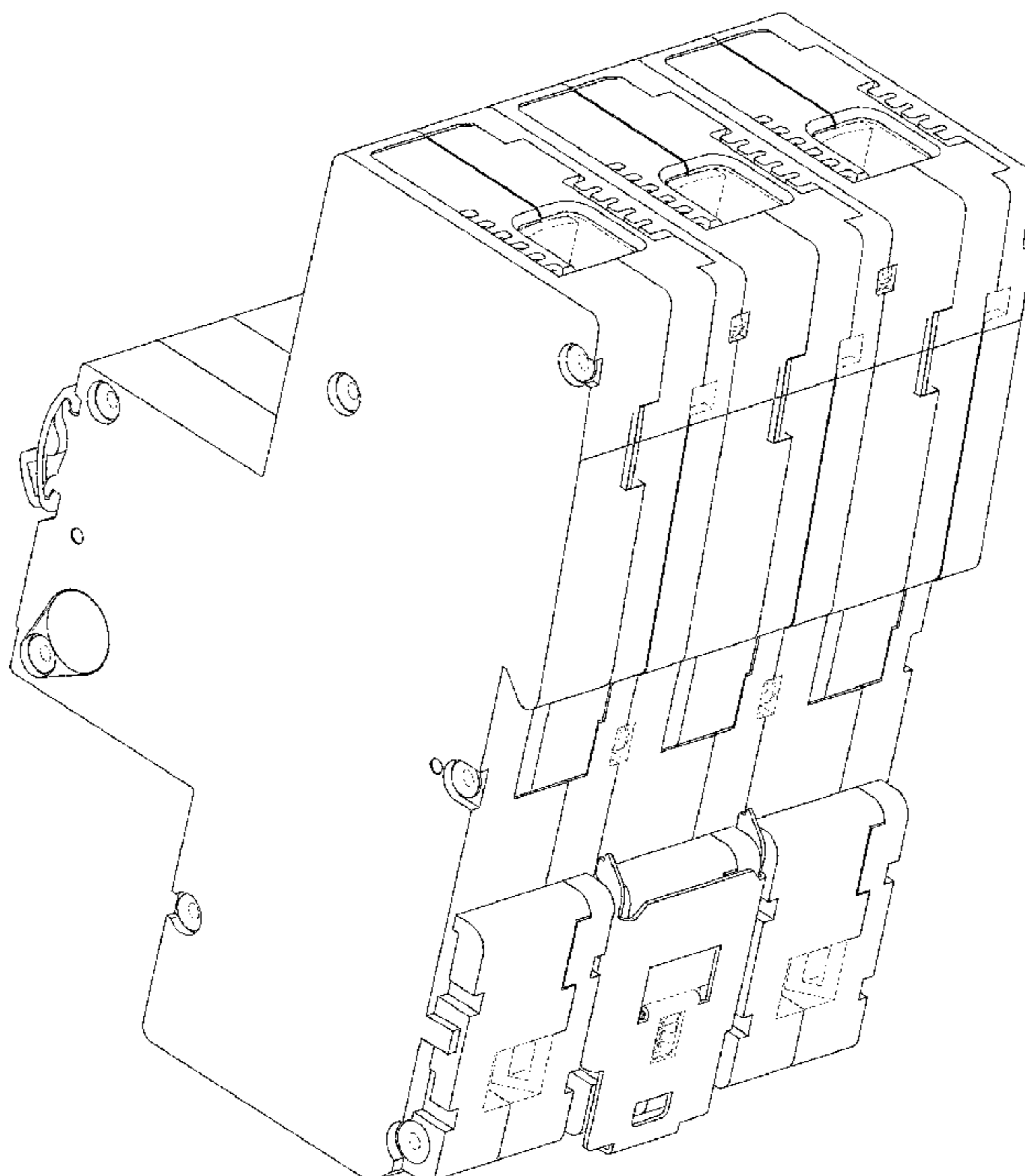
(52) **U.S. Cl.**
USPC **D13/160**

(58) **Field of Classification Search**
 USPC D13/158, 159, 160, 161, 162, 184, 199;
 200/43.14, 50.01, 50.21–50.23, 51 R, 293,
 200/400, 401; 361/42, 44, 45, 50, 71,
 361/115, 608, 634

FIG. 1 is a perspective view of a circuit breaker showing my new design.
 FIG. 2 is a front elevational view thereof.
 FIG. 3 is a rear elevational view thereof.
 FIG. 4 is a left side elevational view thereof.
 FIG. 5 is a right side elevational view thereof.
 FIG. 6 is a bottom plan view thereof; and,
 FIG. 7 is a top plan view thereof.
 The broken line portion of the drawing figures is included to show unclaimed subject matter only and forms no part of the claimed design.

See application file for complete search history.

1 Claim, 7 Drawing Sheets



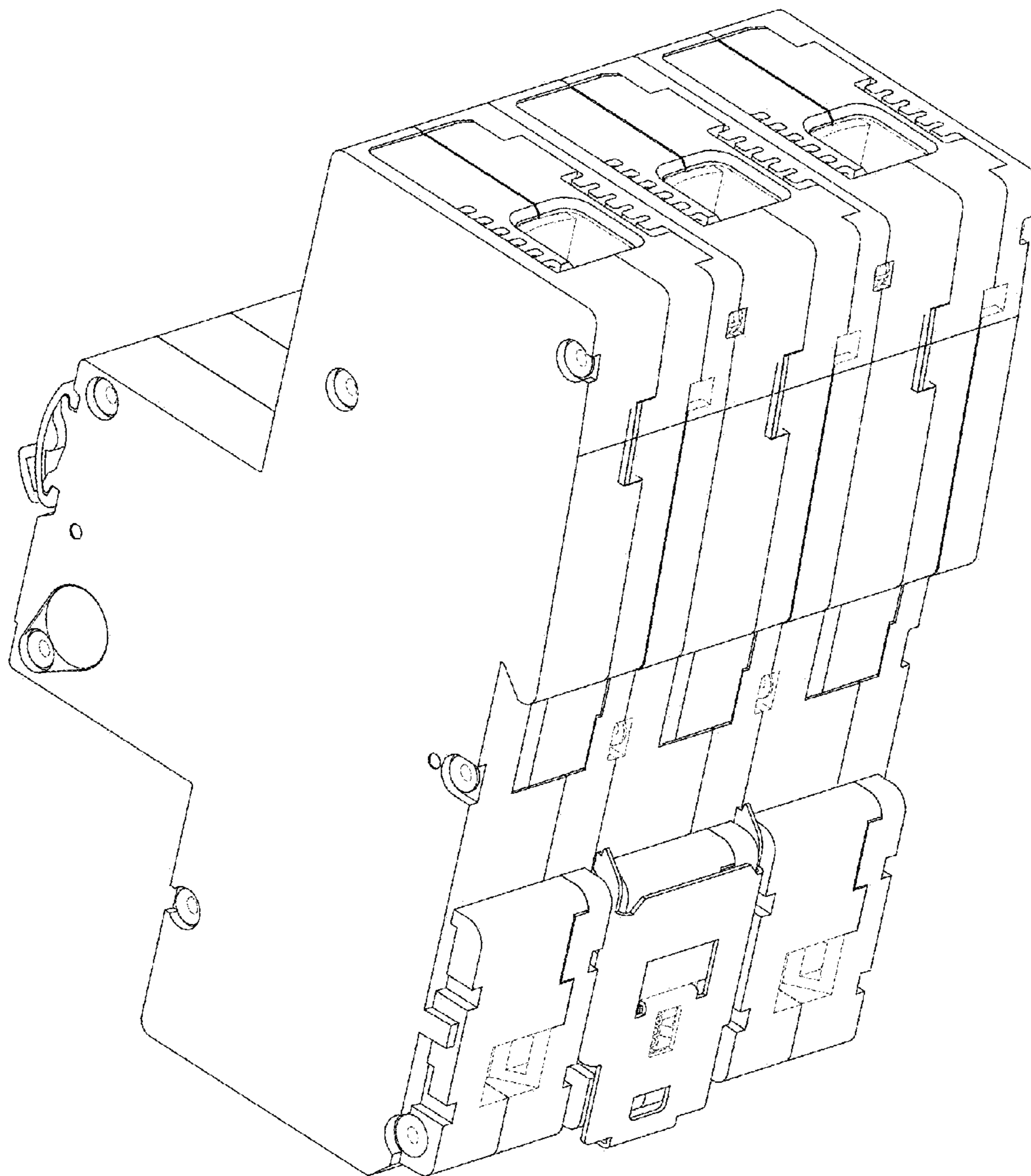


FIG. 1

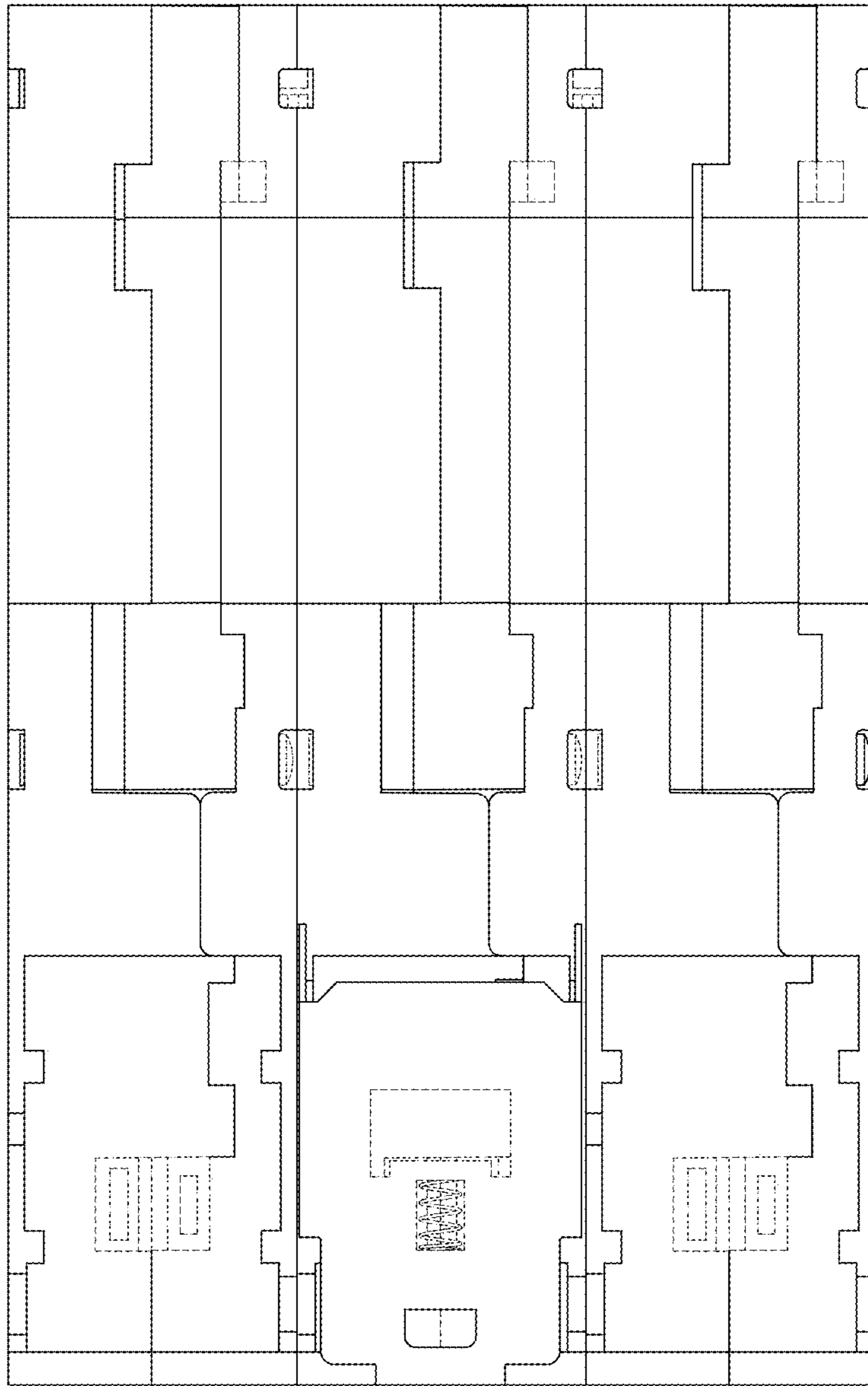


FIG. 2

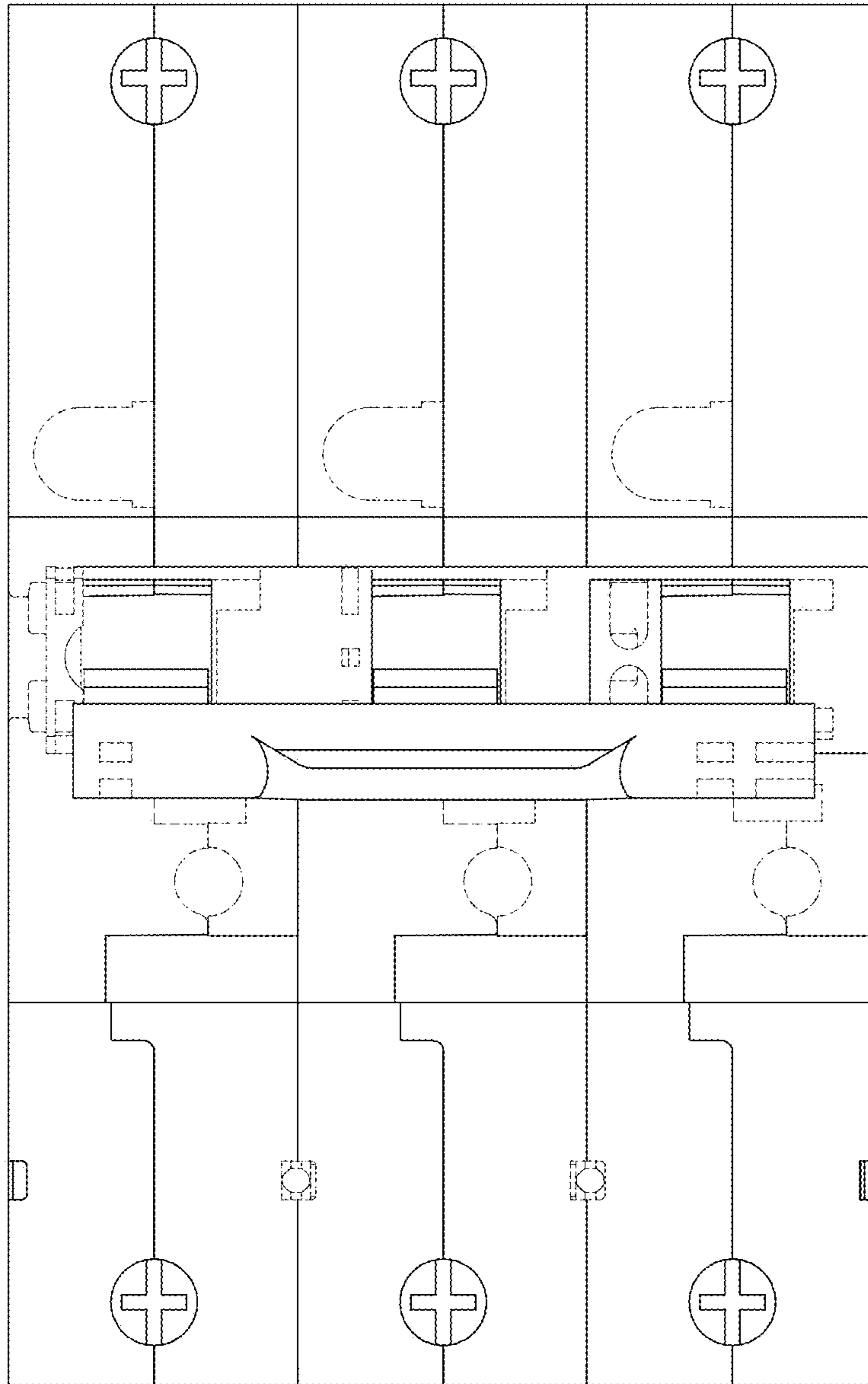


FIG. 3

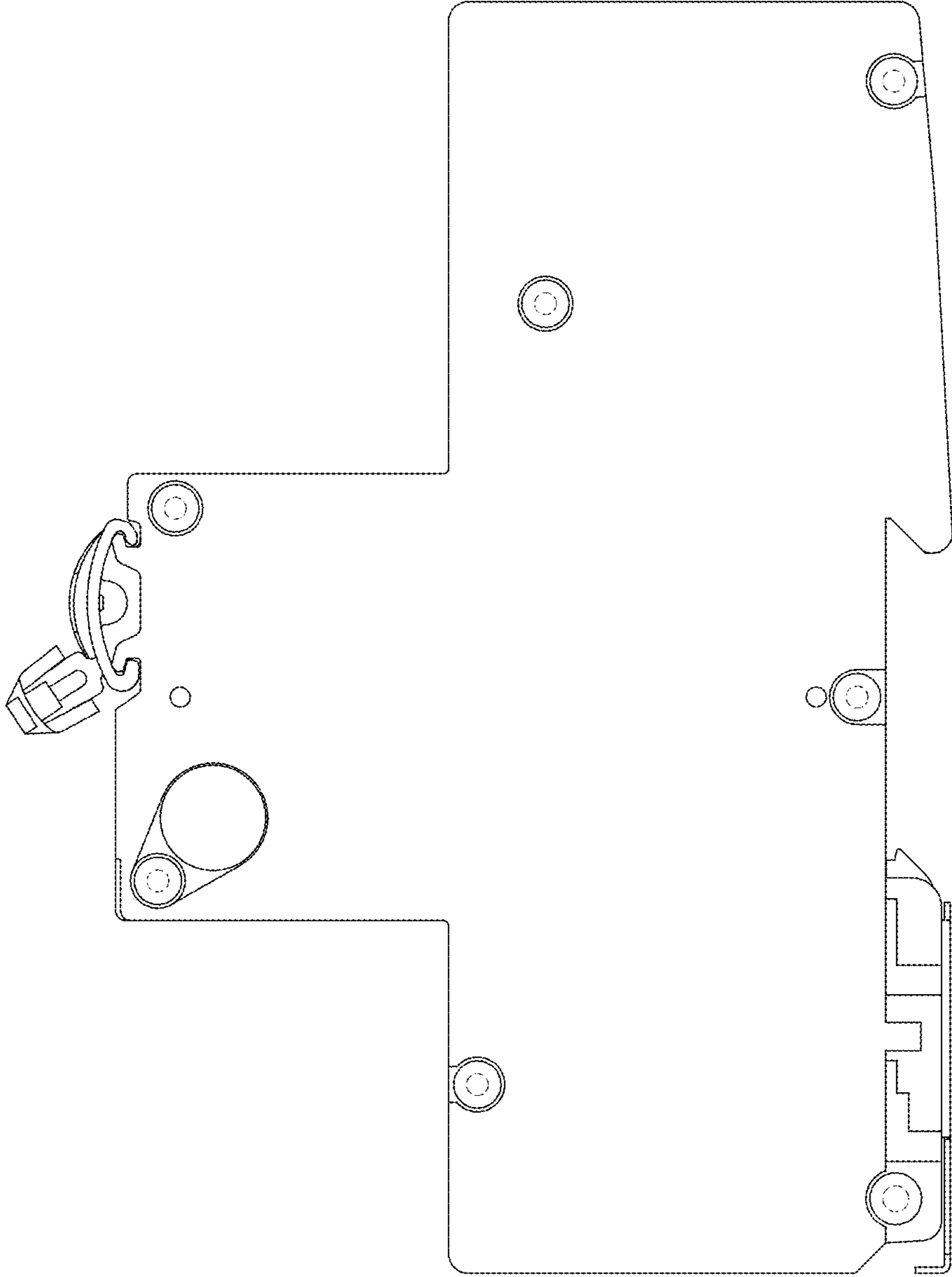


FIG. 4

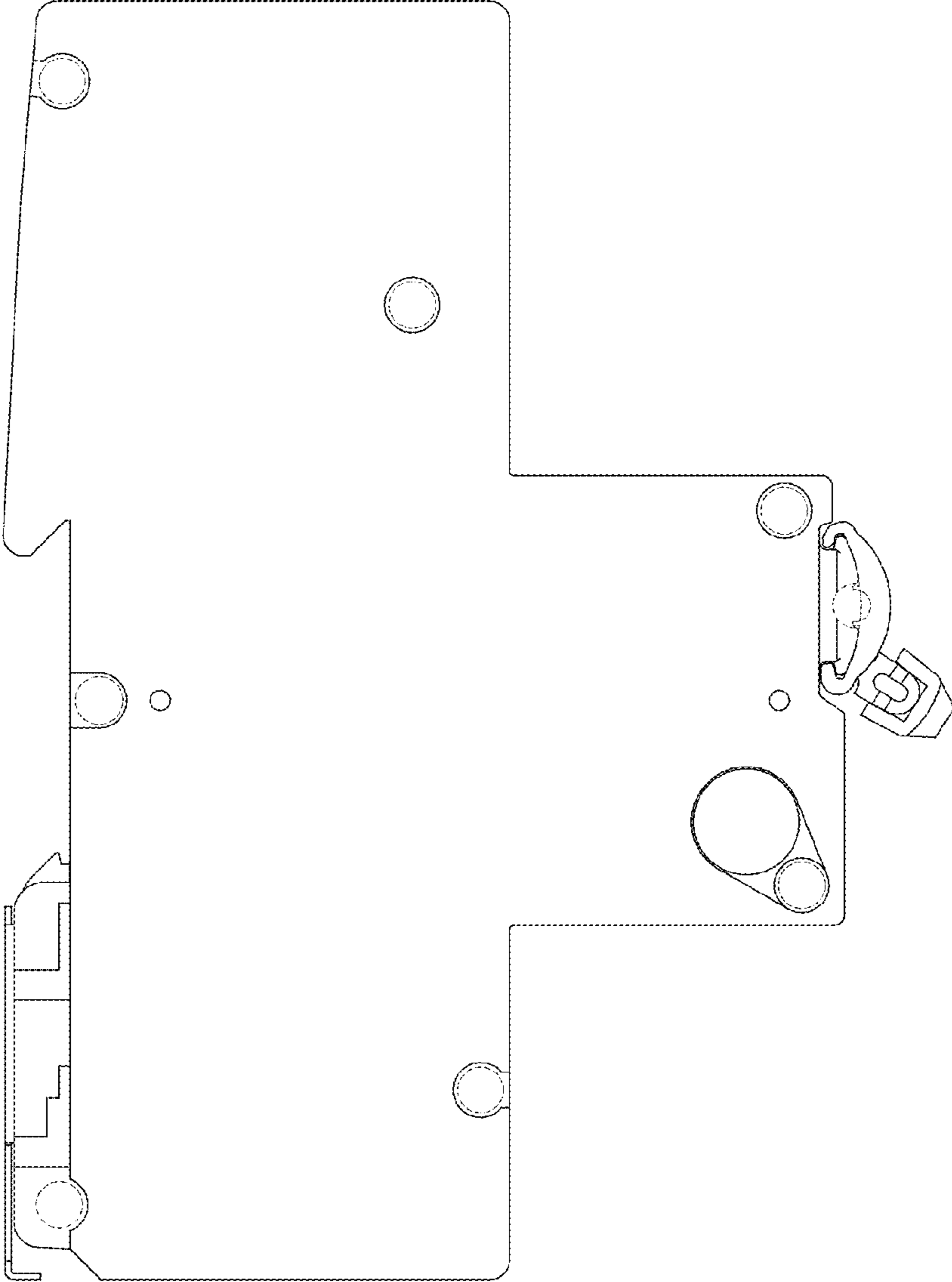


FIG. 5

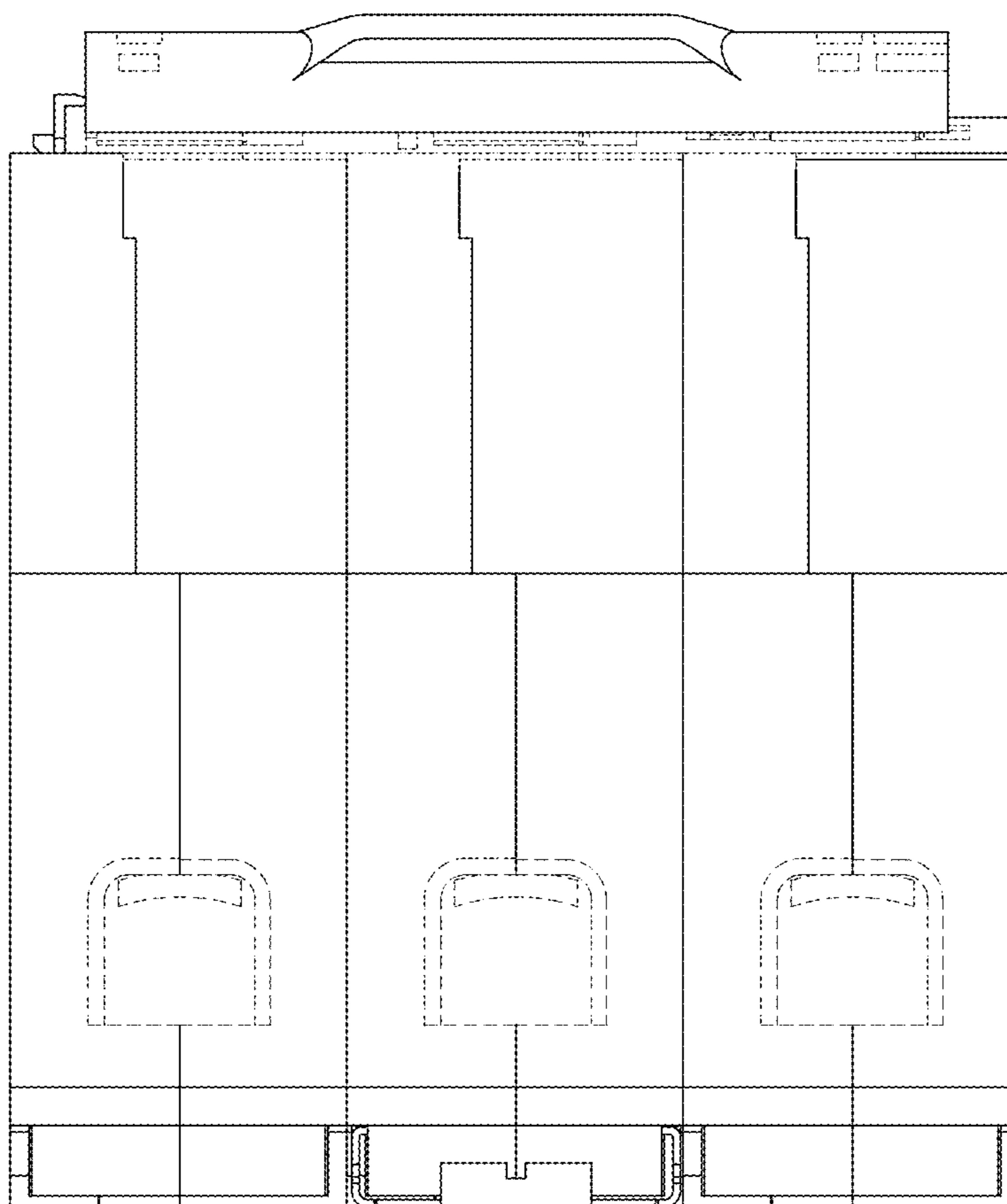


FIG. 6

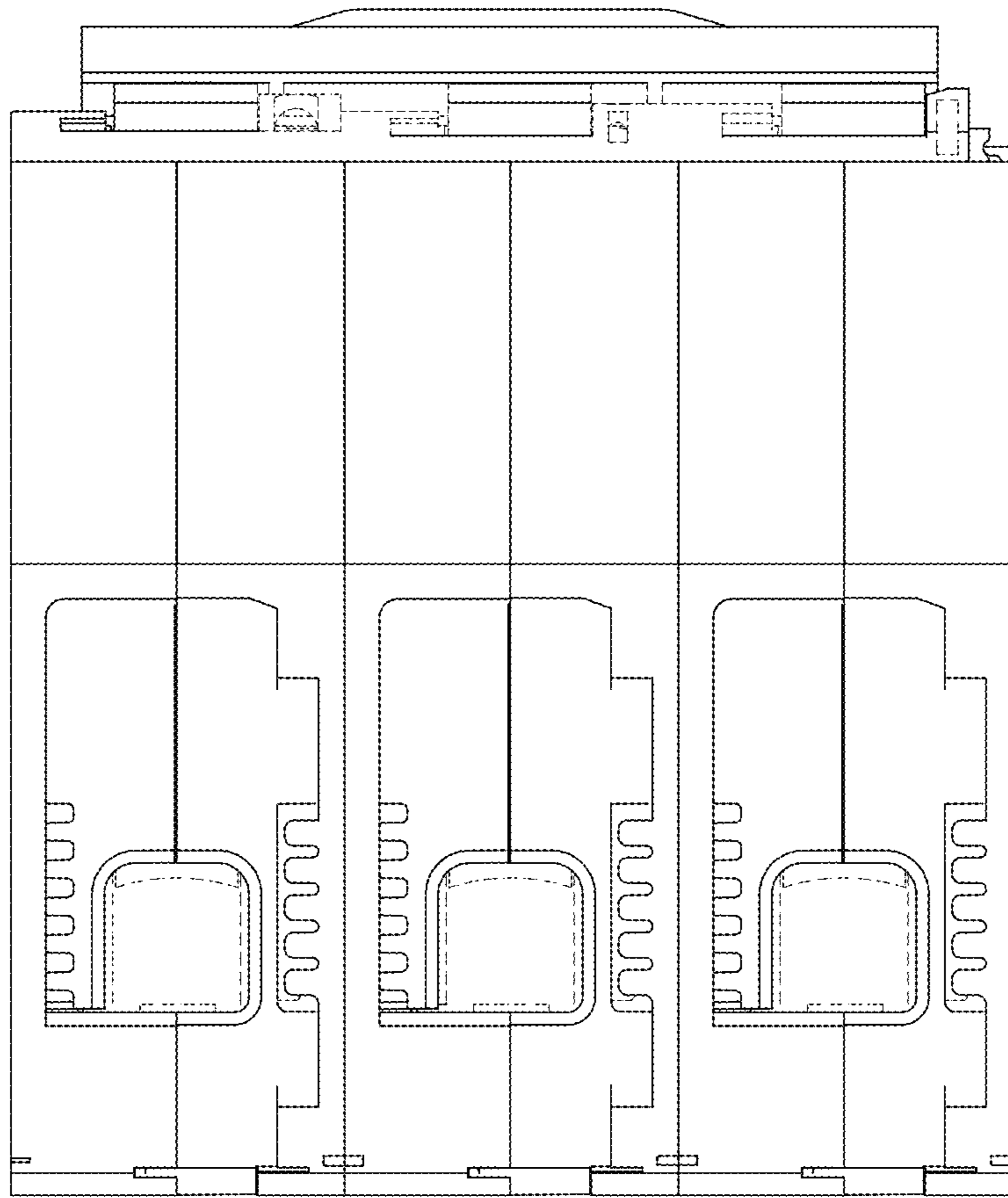


FIG. 7