



US00D786801S

(12) **United States Design Patent**
Stephens

(10) **Patent No.:** **US D786,801 S**

(45) **Date of Patent:** **** May 16, 2017**

(54) **SHEATHED SPRING FOR STRAIN RELIEF OF CONSUMER ELECTRONICS CORDS**

(71) Applicant: **Danielle Marie Stephens**, San Rafael, CA (US)

(72) Inventor: **Danielle Marie Stephens**, San Rafael, CA (US)

(**) Term: **15 Years**

(21) Appl. No.: **29/531,156**

(22) Filed: **Jun. 23, 2015**

(51) **LOC (10) Cl.** **13-03**

(52) **U.S. Cl.**
USPC **D13/156; D13/154**

(58) **Field of Classification Search**
USPC D13/146, 147, 154, 156, 184, 199
CPC . H01R 4/48; H01R 9/05; H01R 13/24; H01R 13/44; H01R 13/50; H01R 13/56; H01R 13/648; H01R 13/73; H01R 43/00; G02B 6/36

See application file for complete search history.

(56) **References Cited**

U.S. PATENT DOCUMENTS

D31,257 S *	7/1899	Mather	D8/303
D132,606 S *	6/1942	Schlage	D8/310
3,926,222 A *	12/1975	Shroy	E02B 11/005 138/122
D356,858 S *	3/1995	Folkman	138/109
D405,522 S *	2/1999	Hoening	D24/110

D406,428 S *	3/1999	Pyle	D13/154
D412,314 S *	7/1999	Lee	D13/156
6,131,616 A *	10/2000	Tatsuta	F16L 11/11 138/110
7,824,213 B1 *	11/2010	Korcz	H01R 13/5816 174/64
2006/0162799 A1 *	7/2006	Goddard	F16L 11/15 138/121

* cited by examiner

Primary Examiner — Daniel Bui

(74) *Attorney, Agent, or Firm* — Steven A. Nielsen;
www.NielsenPatents.com

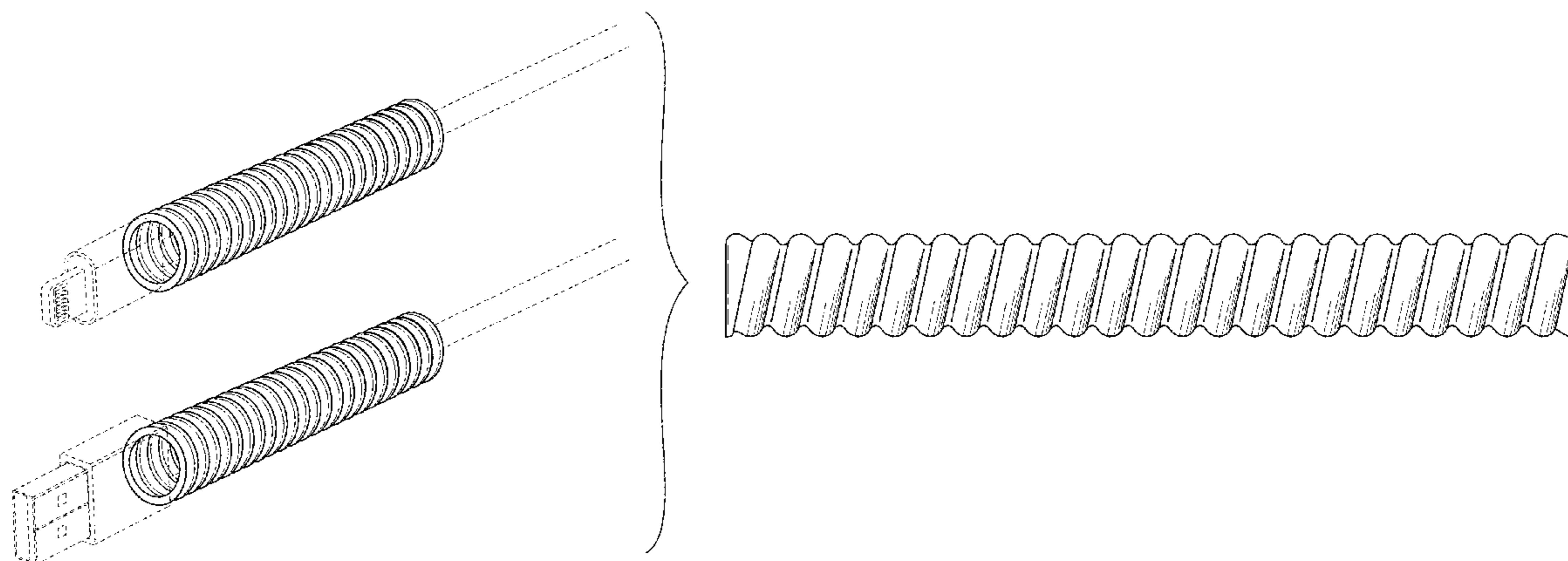
(57) **CLAIM**

The ornamental design for my sheathed spring for strain relief of consumer electronics cords, as shown and described herein.

DESCRIPTION

FIG. 1 is a front and side perspective view of a sheathed spring for strain relief of consumer electronics cords, shown in 2 different use conditions;
FIG. 2 is a front view thereof;
FIG. 3 is a back view thereof;
FIG. 4 is a top view thereof with the bottom view being a mirror image thereof; and,
FIG. 5 is a left side view thereof with the right side view being a mirror image thereof.
The dotted lines of FIG. 1 illustrate environmental conditions only and form no part of the claimed design.

1 Claim, 2 Drawing Sheets



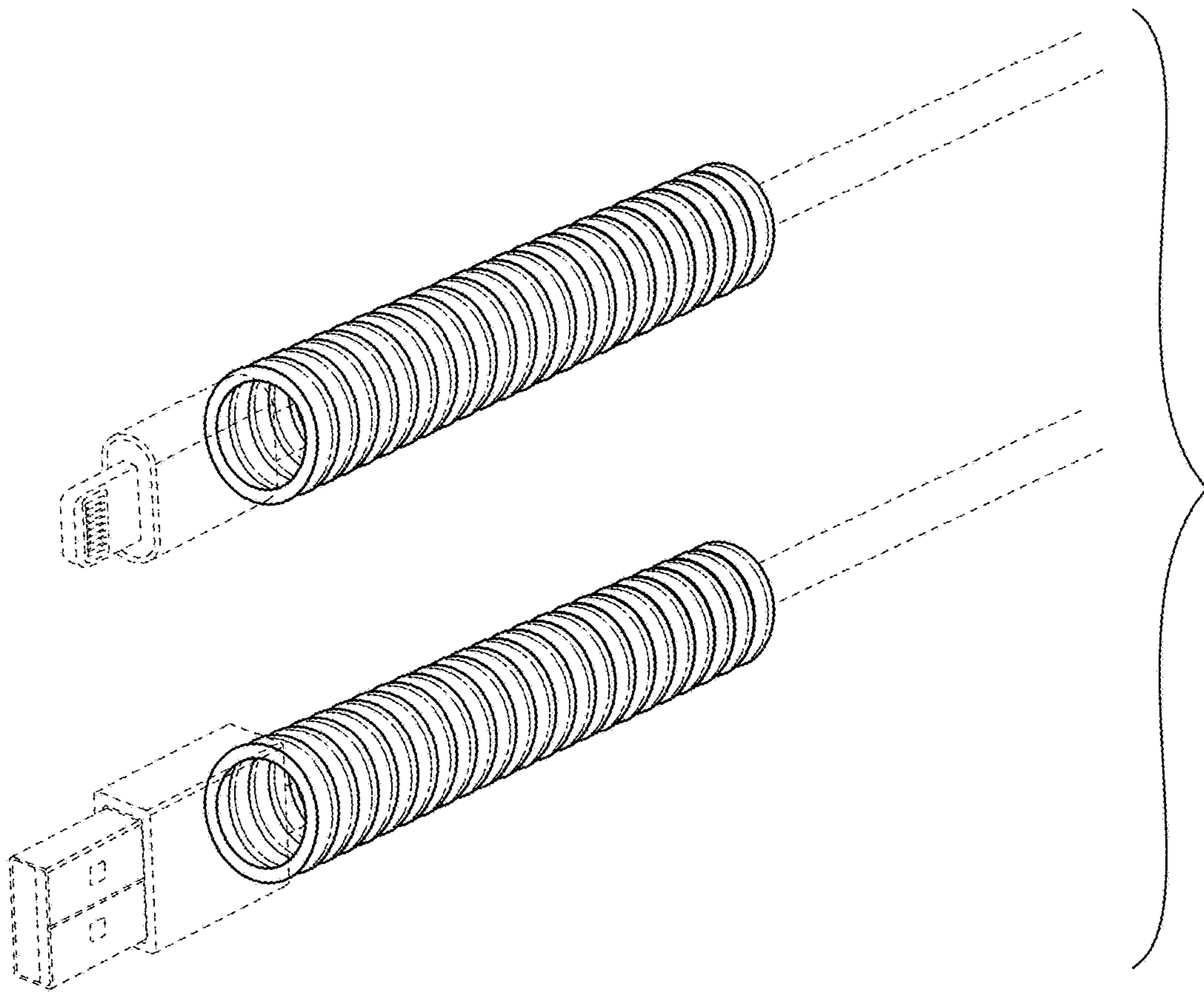


FIG. 1

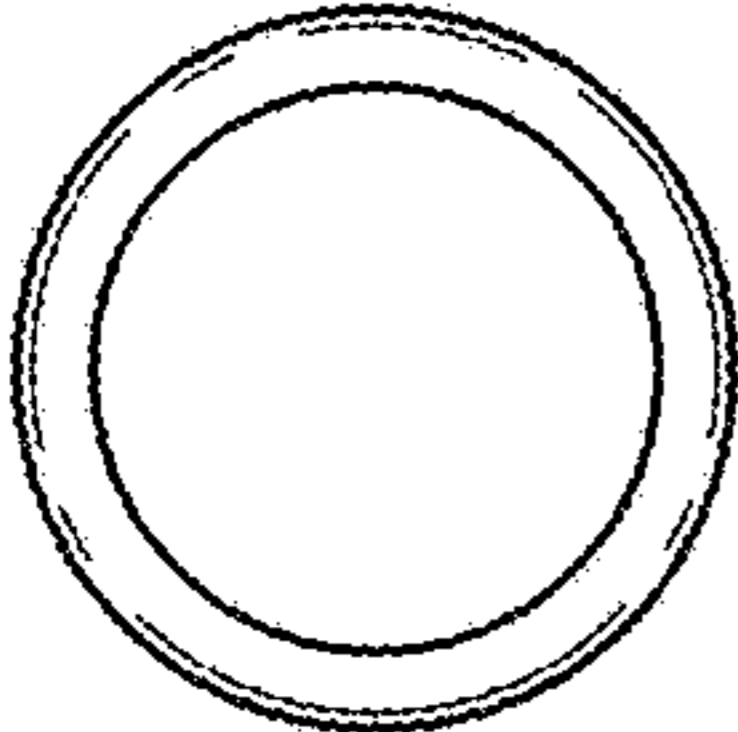


FIG. 2

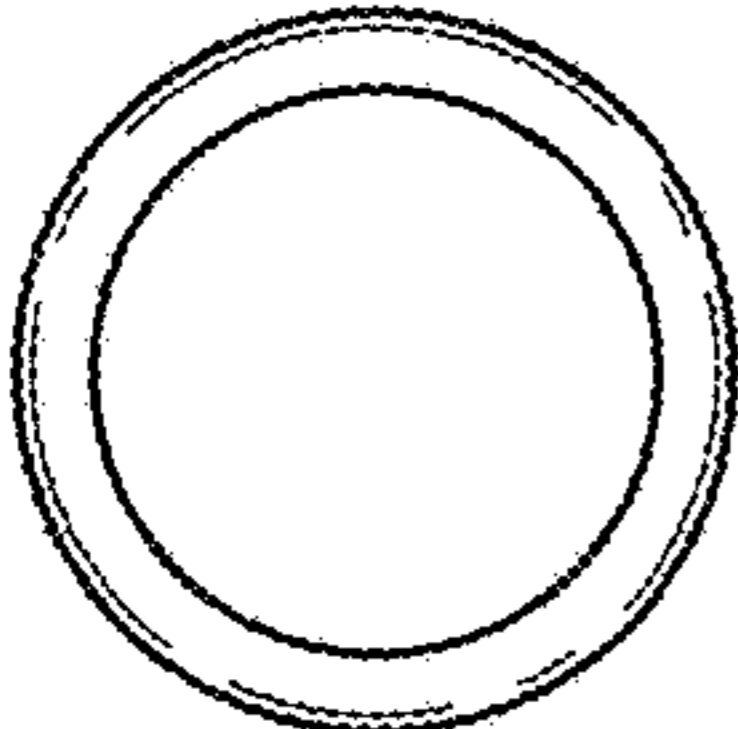


FIG. 3

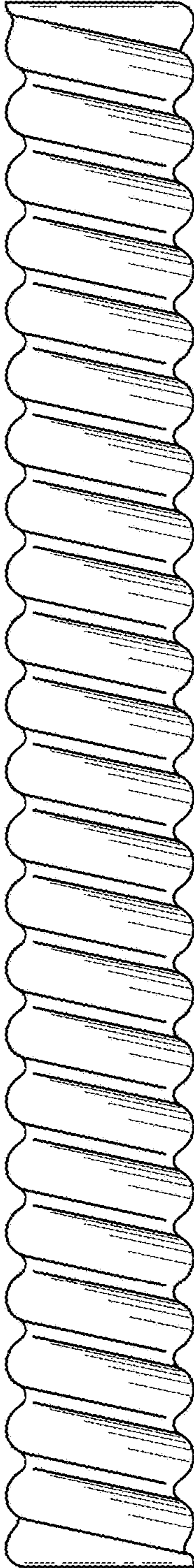


FIG. 4

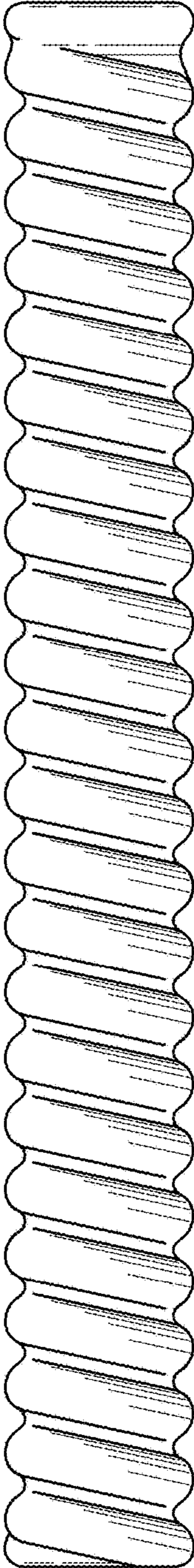


FIG. 5