



US00D786795S

(12) **United States Design Patent**
Zhang

(10) **Patent No.:** **US D786,795 S**
(45) **Date of Patent:** **** May 16, 2017**

(54) **IGNITION COIL**

(71) Applicant: **Yi Zhang**, Pompano Beach, FL (US)

(72) Inventor: **Yi Zhang**, Pompano Beach, FL (US)

(**) Term: **15 Years**

(21) Appl. No.: **29/529,180**

(22) Filed: **Jun. 4, 2015**

(51) **LOC (10) Cl.** **13-03**

(52) **U.S. Cl.**
USPC **D13/126**

(58) **Field of Classification Search**
USPC D13/126, 127, 117, 118, 130, 131, 132,
D13/199; D15/5

CPC .. F02P 3/05; H01F 38/12; H01F 27/28; H01F
2027/2814; H01F 2027/2857; H01F
2027/2861

See application file for complete search history.

(56) **References Cited**

U.S. PATENT DOCUMENTS

- 5,285,760 A * 2/1994 Takaishi F02P 3/02
123/634
- 5,697,352 A * 12/1997 Shimizu H01F 38/12
123/634
- D451,469 S * 12/2001 Tripp D13/117
- D633,444 S * 3/2011 Chau D13/126
- D662,883 S * 7/2012 Mizuta D13/126
- 2001/0032636 A1 * 10/2001 Morganti H01F 38/12
123/633
- 2006/0061446 A1 * 3/2006 Kato F02P 3/02
336/90
- 2009/0108972 A1 * 4/2009 Wada H01F 27/022
336/90
- 2011/0259307 A1 * 10/2011 Oberer H01F 5/04
123/634
- 2014/0080077 A1 * 3/2014 Frontczak H01T 13/44
431/258
- 2015/0311681 A1 * 10/2015 Ellison H01F 38/12
29/602.1

FOREIGN PATENT DOCUMENTS

- CN 302640974 * 11/2013
- WO WO 2014167931 A1 * 10/2014 F02P 3/02
- WO WO 2015071030 A1 * 5/2015 F02P 7/04

OTHER PUBLICATIONS

Amazon. <URL: https://www.amazon.com/Denso-6731300-673-1300-Ignition-Coil/dp/B002Y39NJ0/ref=pd_lpo_263_tr_t_2?_encoding=UTF8&psc=1&refRID=DGDFHH1816QG1CSQP71M>. Date First Available Jan. 2, 2007. Denso 673-1300 Ignition Coil.*

* cited by examiner

Primary Examiner — Bridget L Eland

Assistant Examiner — Lauren McVey

(57) **CLAIM**

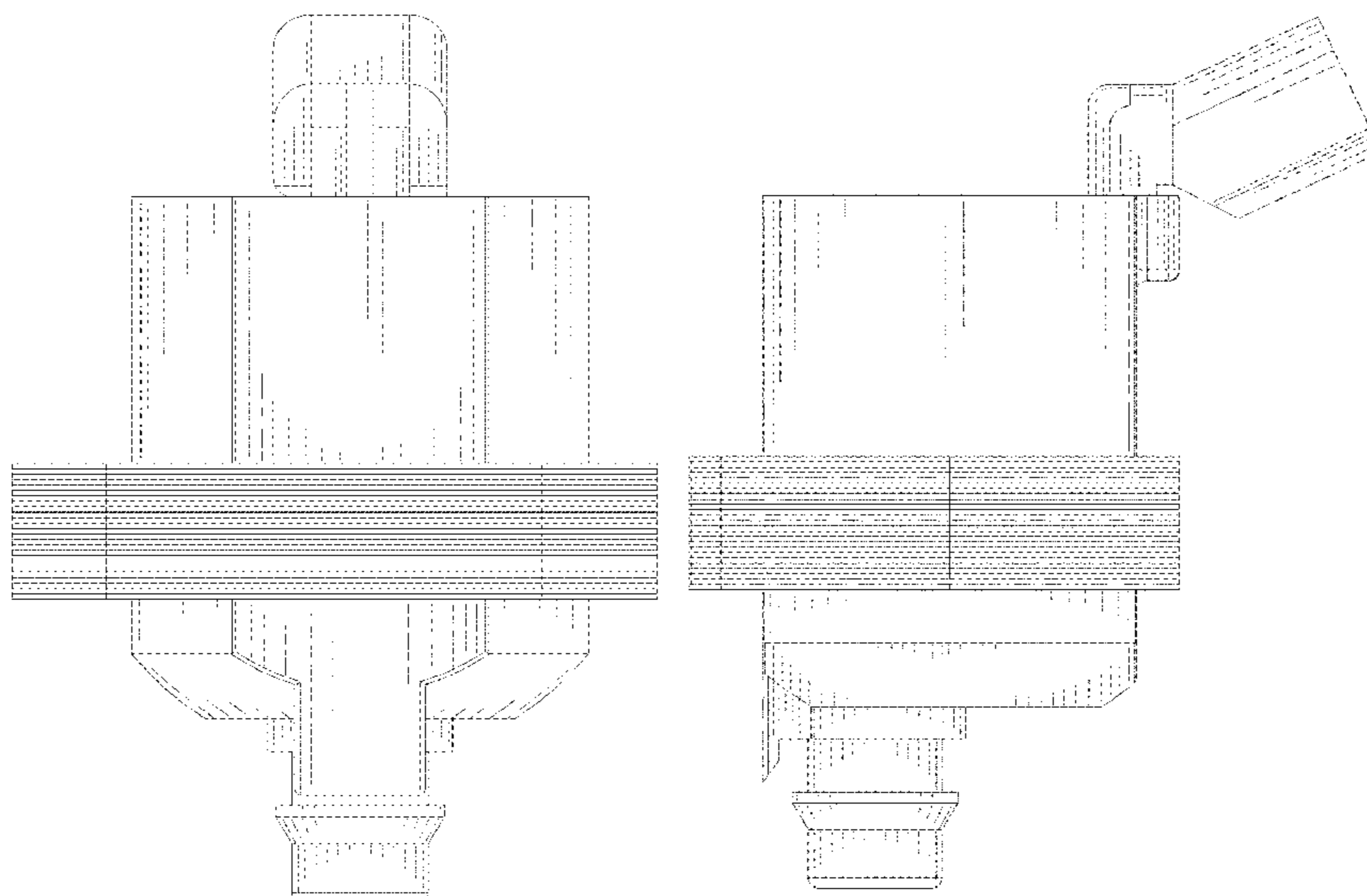
The ornamental design for an ignition coil, as shown and described.

DESCRIPTION

FIG. 1 is a perspective view of an ignition coil showing my new design;
 FIG. 2 is a front elevational view thereof;
 FIG. 3 is a rear elevational view thereof;
 FIG. 4 is a left side elevational view thereof;
 FIG. 5 is a right side elevational view thereof;
 FIG. 6 is a top plan view thereof; and,
 FIG. 7 is a bottom plan view thereof.

The broken lines are directed to environment and form no part of the claimed design. The unshaded surfaces in FIGS. 3, 6, and 7 that directly adjoin the claimed solid line edge forms no part of the claimed design.

1 Claim, 7 Drawing Sheets



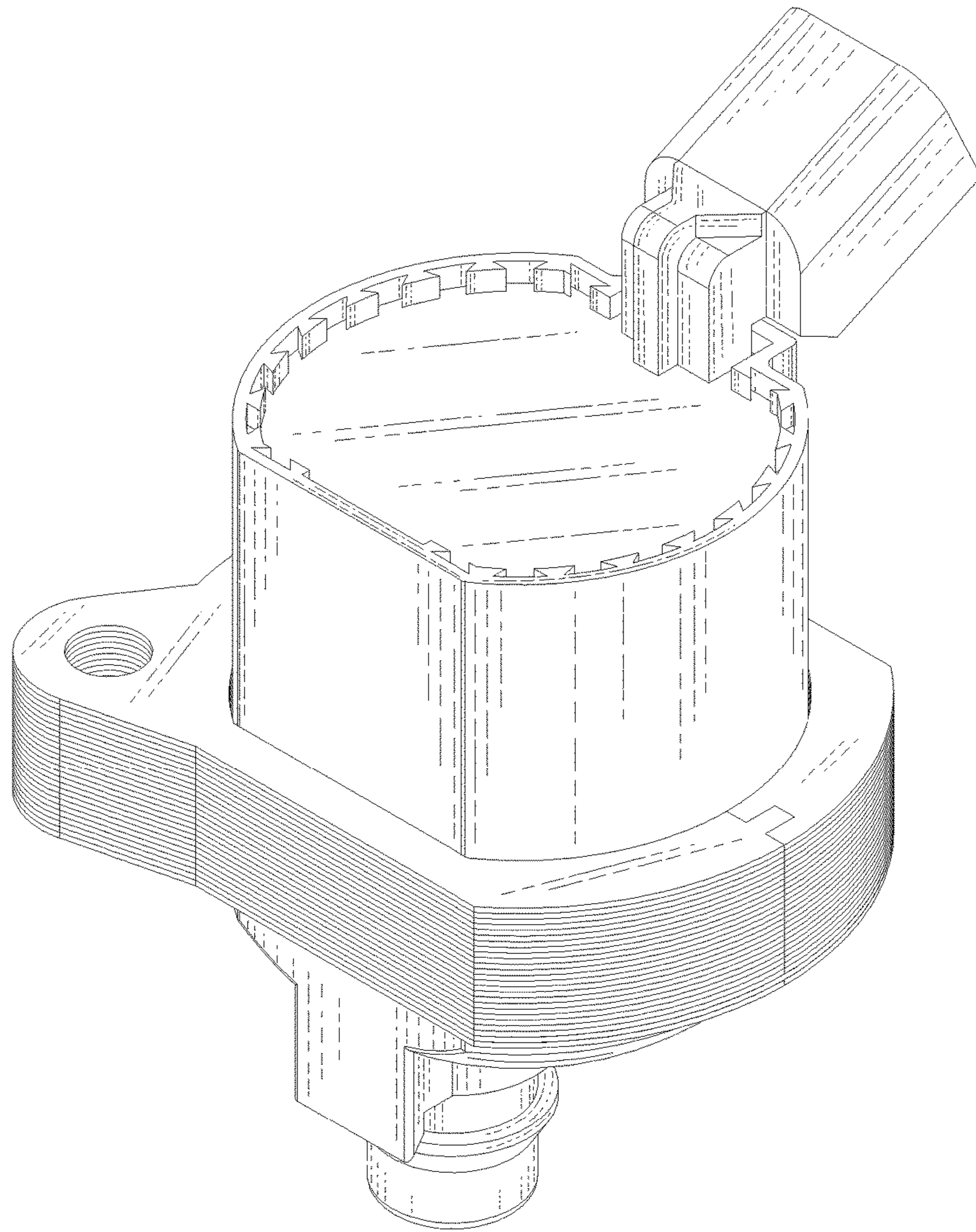


FIG. 1

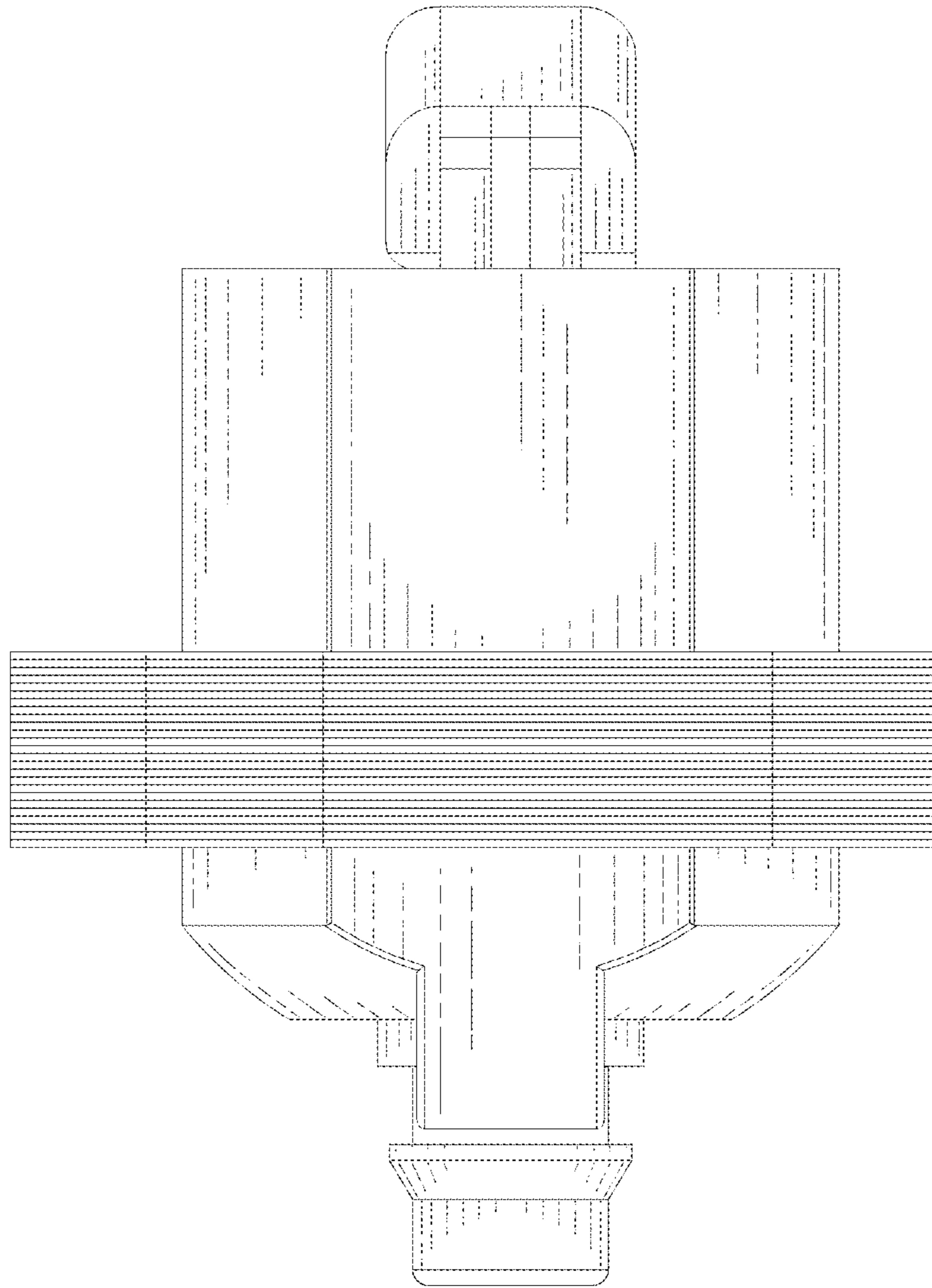


FIG. 2

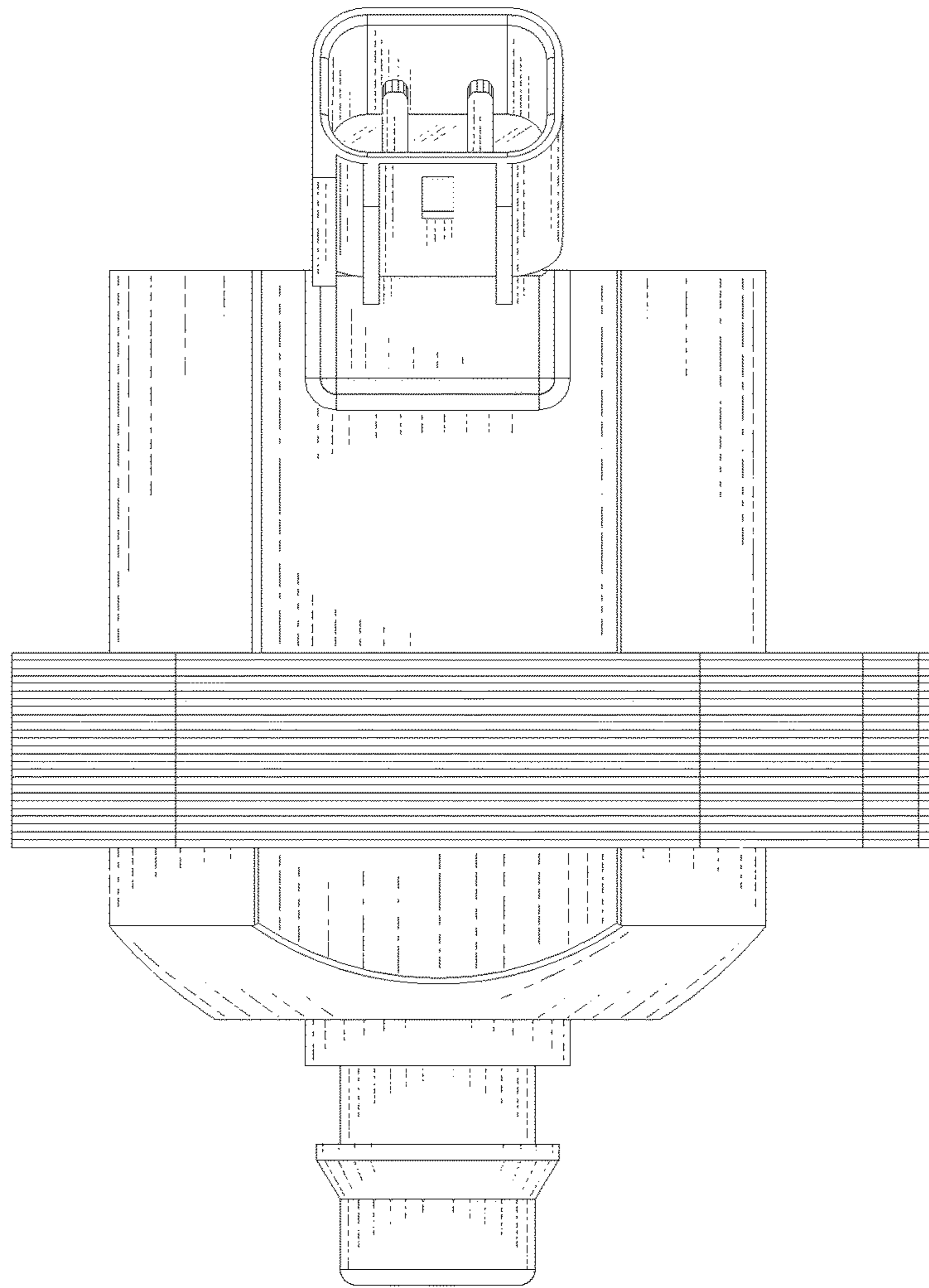


FIG. 3

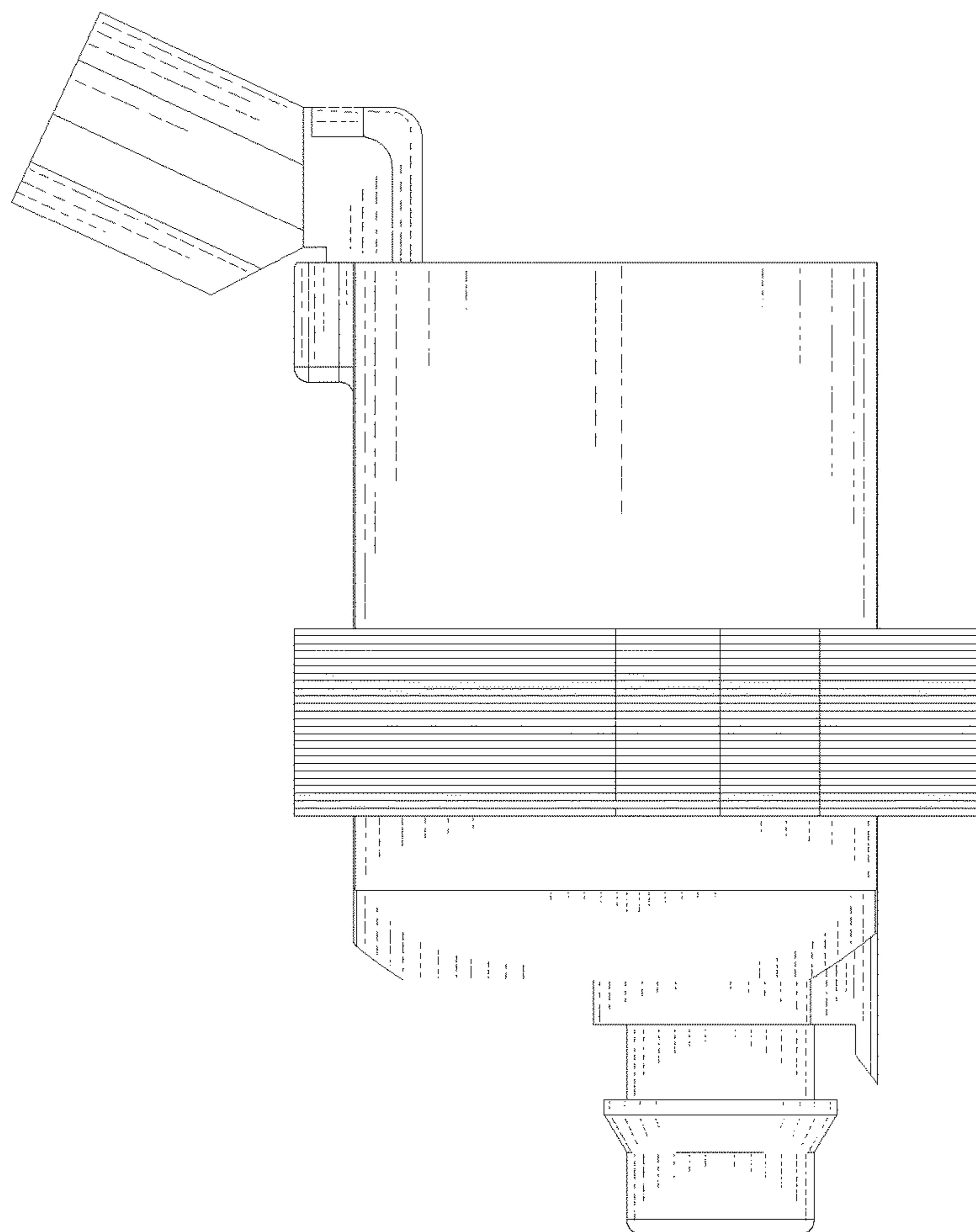


FIG. 4

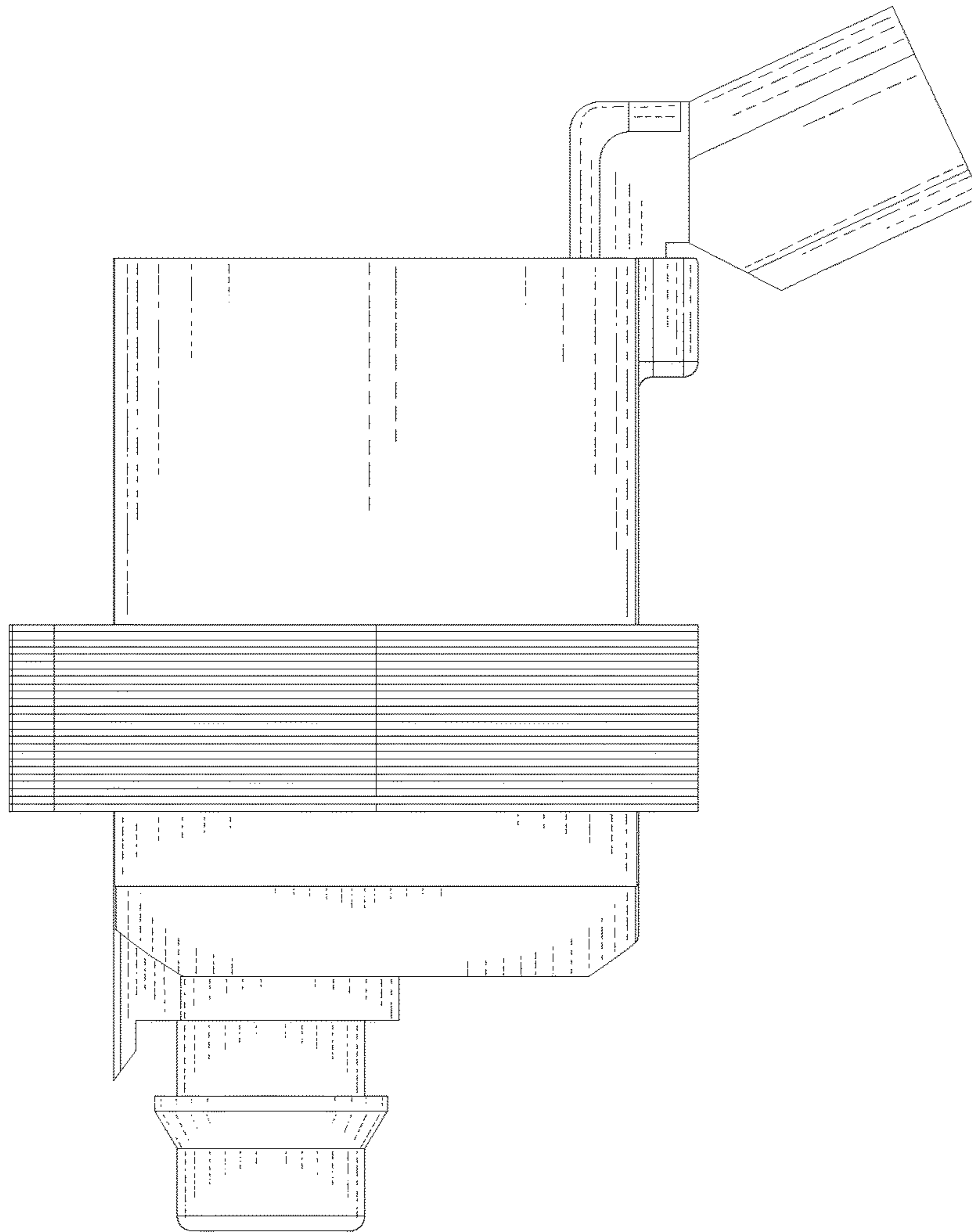


FIG. 5

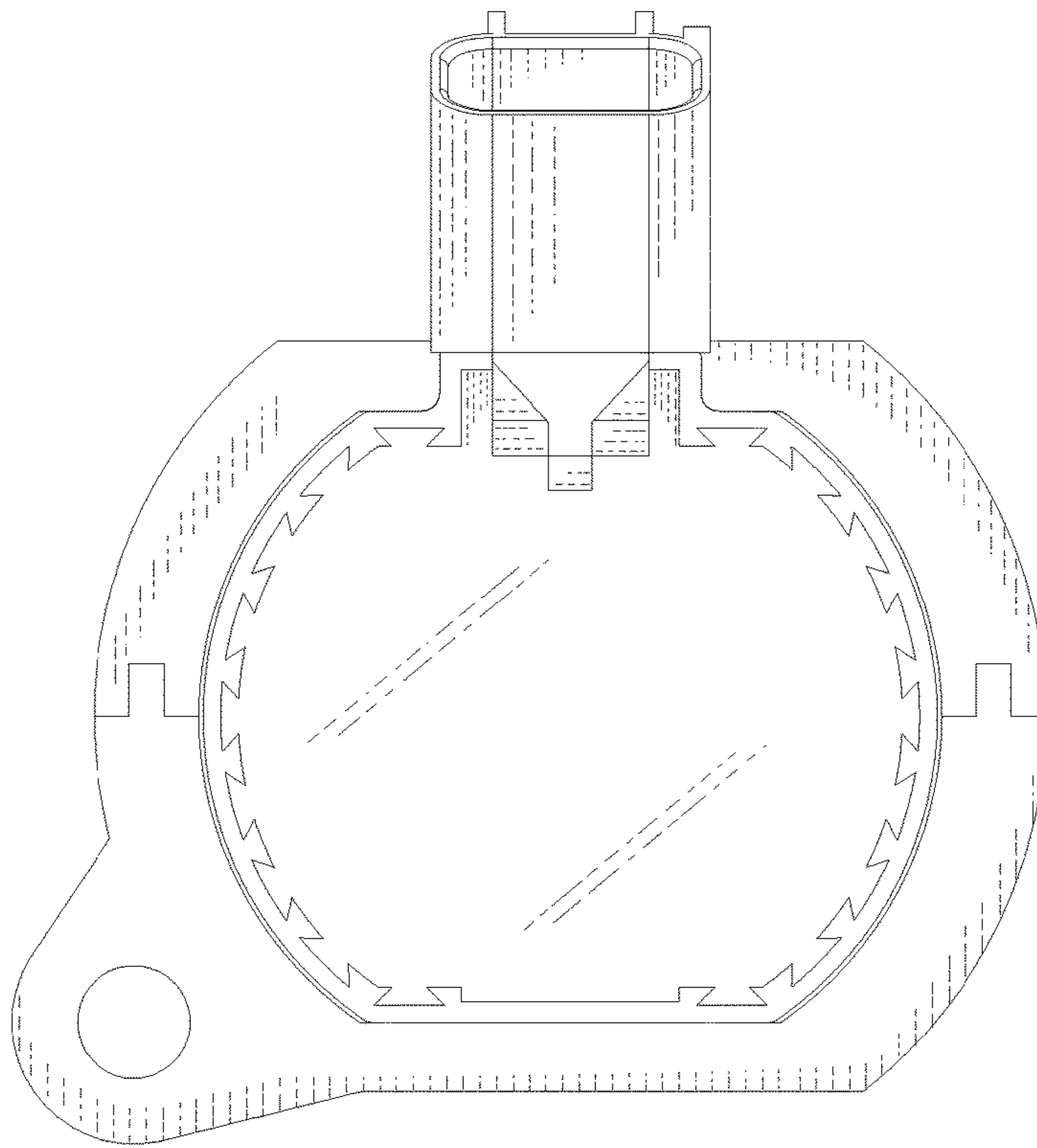


FIG. 6

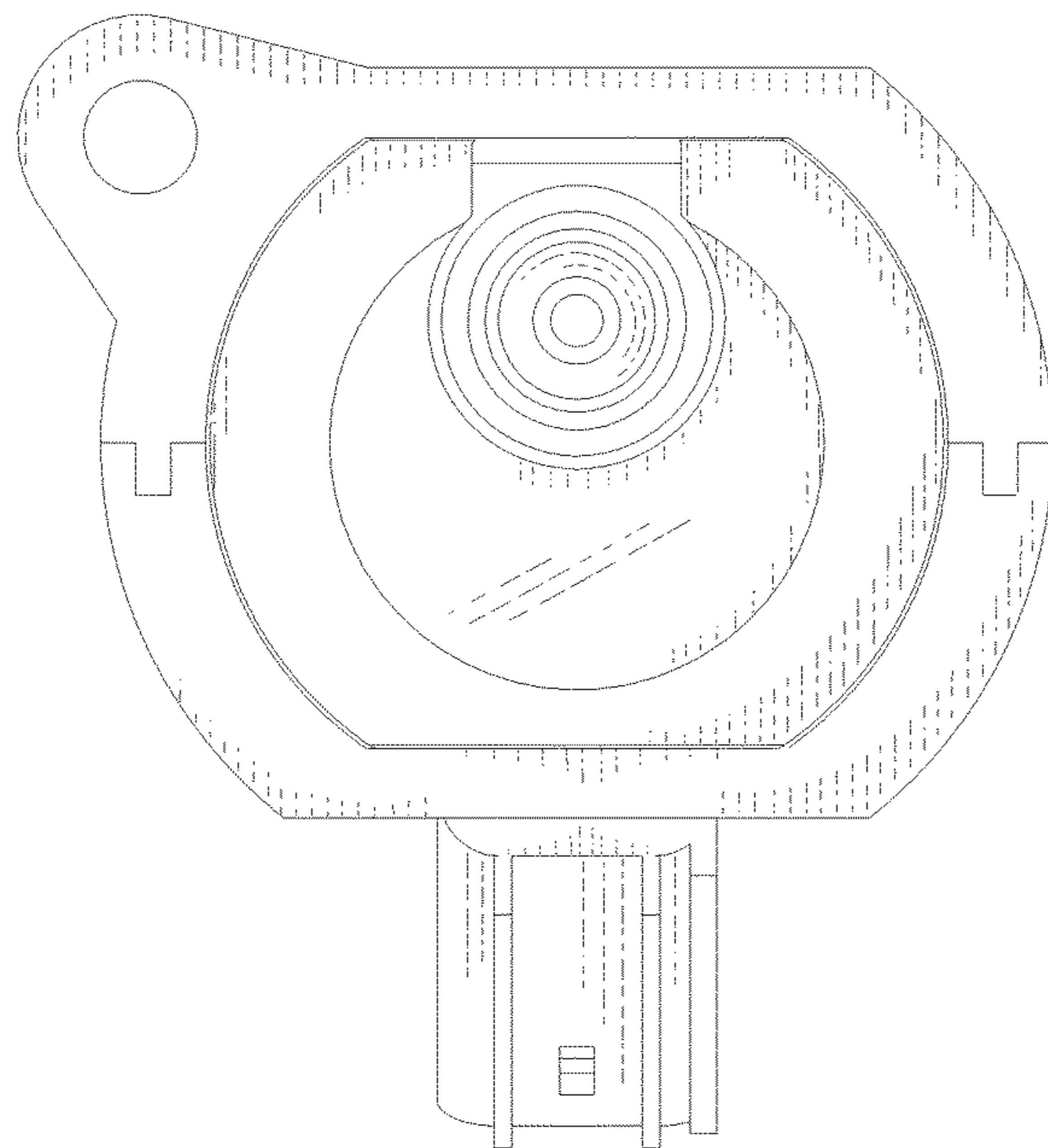


FIG. 7