



US00D786794S

(12) **United States Design Patent**
McCormick et al.

(10) **Patent No.:** **US D786,794 S**

(45) **Date of Patent:** **** May 16, 2017**

(54) **AIR MOTOR**

(71) Applicant: **Graco Minnesota Inc.**, Minneapolis, MN (US)

(72) Inventors: **Martin P. McCormick**, Forest Lake, MN (US); **Ryan F. Butler**, Brooklyn Park, MN (US); **Benjamin J. Dauwalter**, Minneapolis, MN (US)

(73) Assignee: **Graco Minnesota Inc.**, Minneapolis, MN (US)

(**) Term: **14 Years**

(21) Appl. No.: **29/523,905**

(22) Filed: **Apr. 15, 2015**

(51) **LOC (10) Cl.** **13-01**

(52) **U.S. Cl.**
USPC **D13/112**

(58) **Field of Classification Search**
USPC D13/112, 113, 114, 122, 199; D15/3, 5, D15/199; 74/606 R, 609; 310/10, 40 R, 310/42, 51, 58, 71, 80, 83, 85, 89, 91, 310/109, 236, 239, 254; 318/245, 255
CPC .. H02K 5/04; H02K 5/10; H02K 5/22; H02K 5/148; H02K 29/14; H02K 3/24; H02K 3/47; H02P 6/06; F28F 1/20; Y10T 137/8663; F04B 43/0736; F03C 1/03; F03C 1/12

See application file for complete search history.

(56) **References Cited**

U.S. PATENT DOCUMENTS

D172,769 S * 8/1954 Sundberg D13/112
D273,586 S * 4/1984 Hodgson D15/1
4,673,837 A * 6/1987 Gingerich H02K 5/148
29/597
D382,573 S * 8/1997 Avitan D15/149

D401,687 S * 11/1998 Pearce D23/411
D409,564 S * 5/1999 Koshida D13/112
6,657,338 B2 * 12/2003 Fisher H02K 17/30
310/68 R
7,207,260 B2 * 4/2007 Thierry F03C 1/03
91/303
D551,167 S * 9/2007 Kubota D13/112
7,367,785 B2 * 5/2008 Roberts F04B 43/0736
137/625.66
D589,878 S 4/2009 Bauck et al.
D589,879 S * 4/2009 Yokota D13/112
7,603,855 B2 10/2009 Strong
D709,450 S * 7/2014 Tanabe D13/112

OTHER PUBLICATIONS

Graco's King Air Motor Brochure, Document 309347EN-F, revised Jul. 2004.

(Continued)

Primary Examiner — Derrick Holland

(74) *Attorney, Agent, or Firm* — Douglas B. Farrow

(57) **CLAIM**

The ornamental design for an air motor, as shown and described.

DESCRIPTION

FIG. 1 is an isometric view of an air motor showing our new design;

FIG. 2 is a top view thereof;

FIG. 3 is a left side view thereof;

FIG. 4 is a front view thereof;

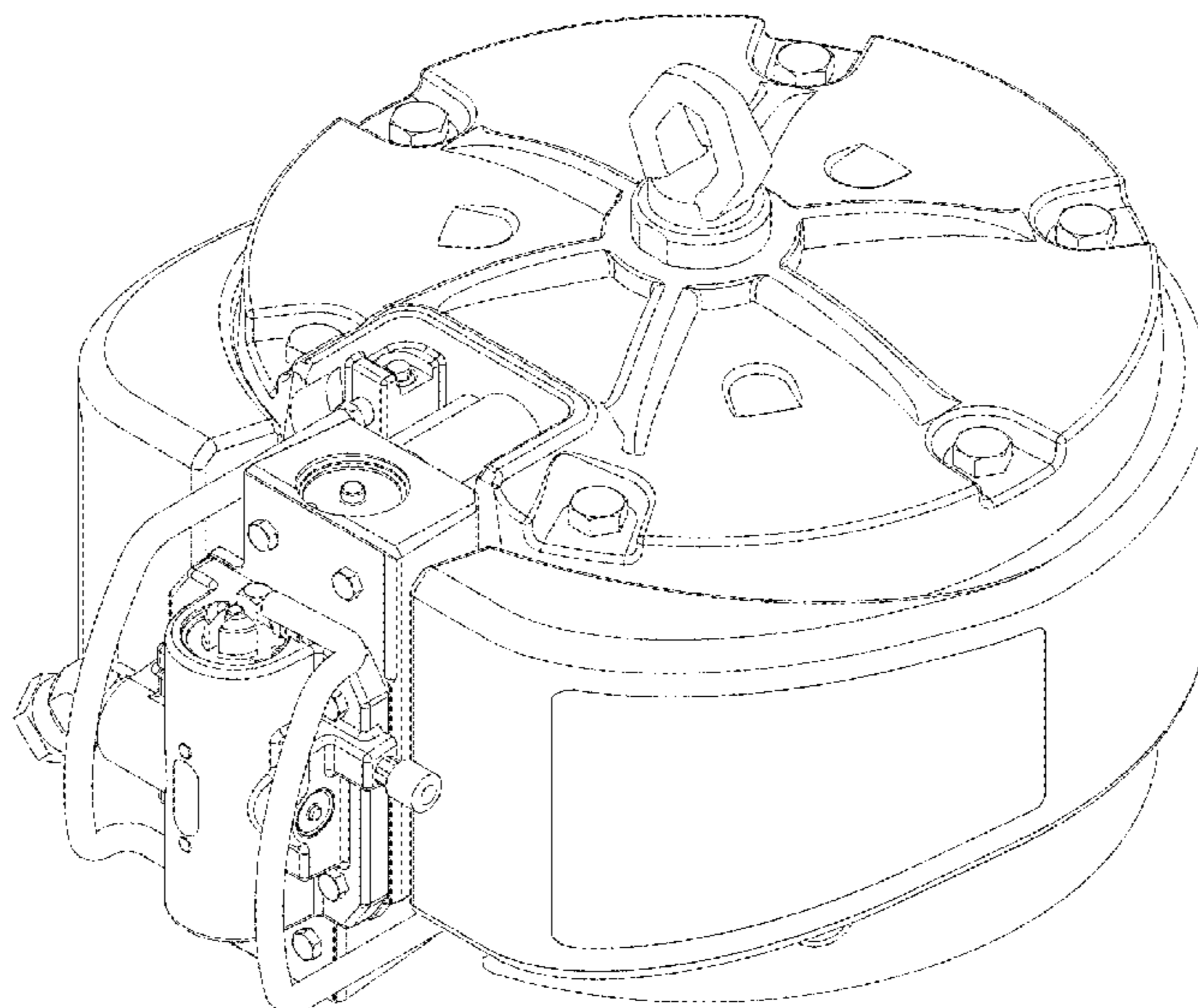
FIG. 5 is a right view thereof;

FIG. 6 is a rear view thereof; and,

FIG. 7 is a bottom view thereof.

The broken lines showing of an air motor is included for the purpose of illustrating environmental structure and forms no part of the claimed design.

1 Claim, 7 Drawing Sheets



(56)

References Cited

OTHER PUBLICATIONS

Graco's Bulldog Air Motor Manual, Document 307049EN-Y, revised Sep. 2010.

Graco's President Air Motor Manual, Document 306982EN-ZAA, revised Mar. 2011.

Graco's Premier Air Motor Manual, Document 309347EN-F, revised Jul. 2004.

Graco's NXT Air Motors Manual, Document 311238Y, revised Jul. 2010.

WIWA Professional manual, specifically #12 on p. 10, Document 24071 with Document Properties screenshot indicating revision date of Aug. 16, 2013.

WIWA Herkules manual, specifically #8 on p. 10, Document 35075 with Document Properties screenshot indicating revision date of Aug. 16, 2013.

Kremlin Rexson Thor Brochure, Copyright 2011.

Nordson Permaflo 815 Pump, specifically Figure B 2-1 on p. 21 of pdf, Copyright 2007.

Aro AFX Piston Pumps and Packages brochure, specifically #2 on p. 2 of pdf, Copyright 2013.

* cited by examiner

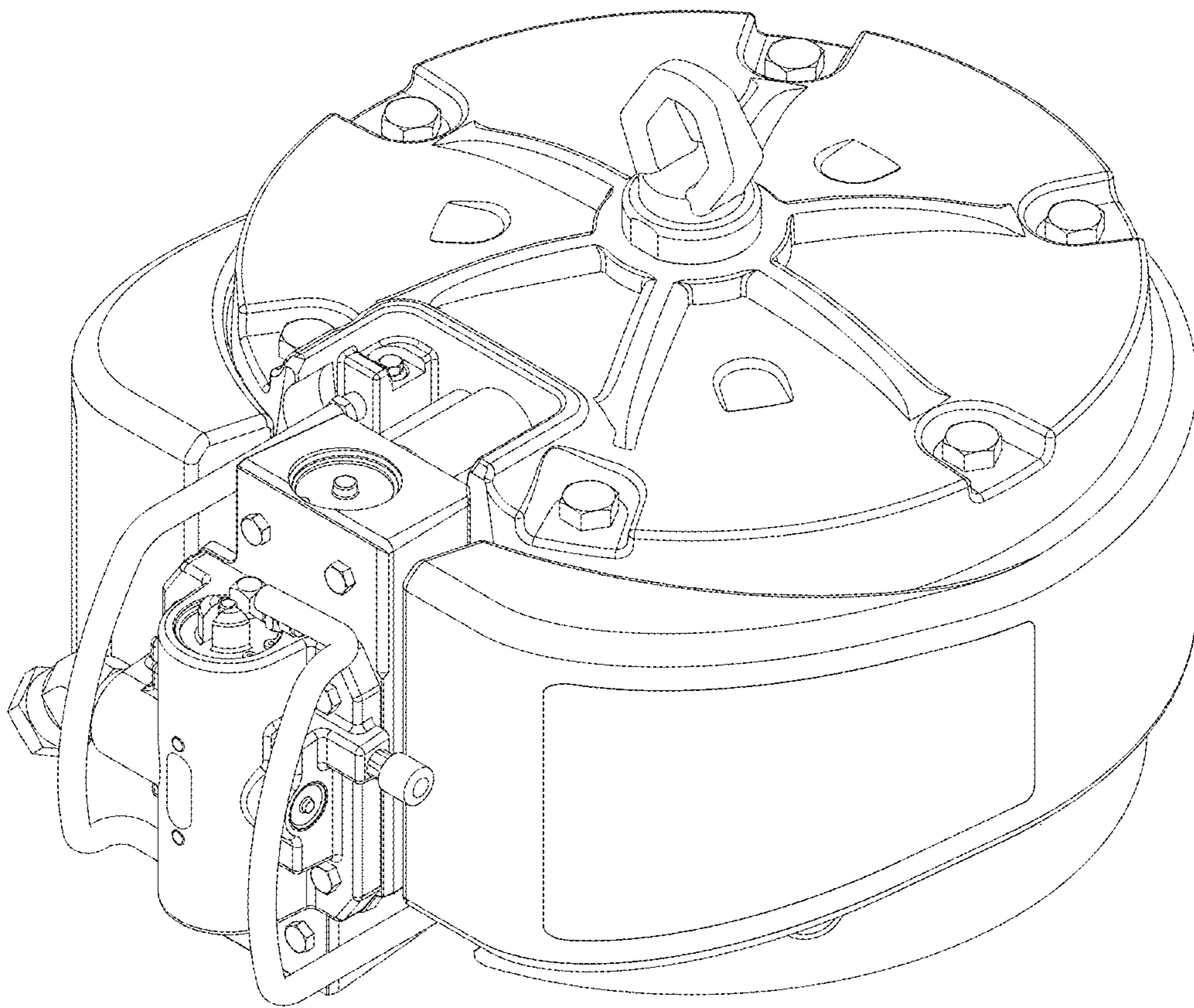


FIG. 1

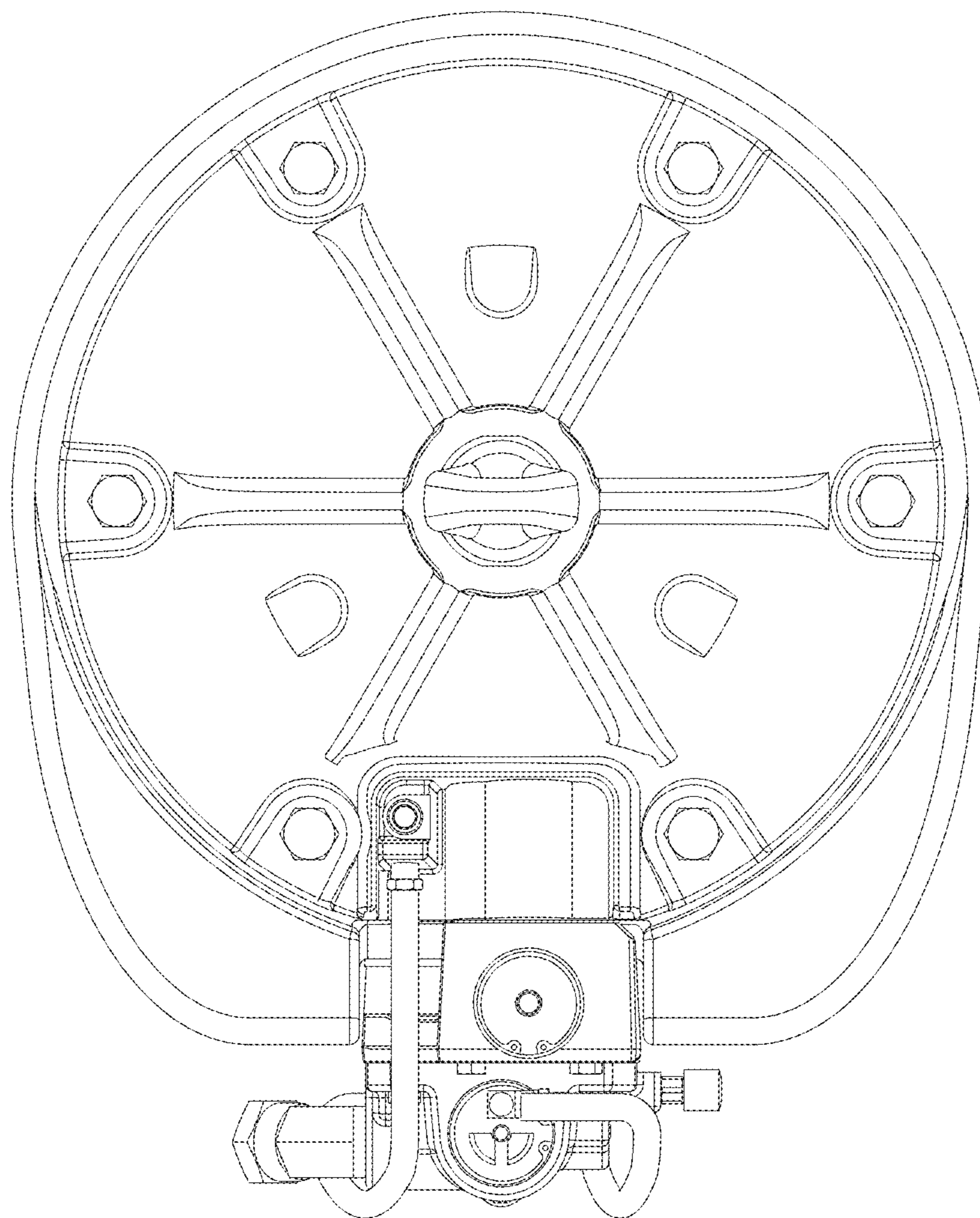


FIG. 2

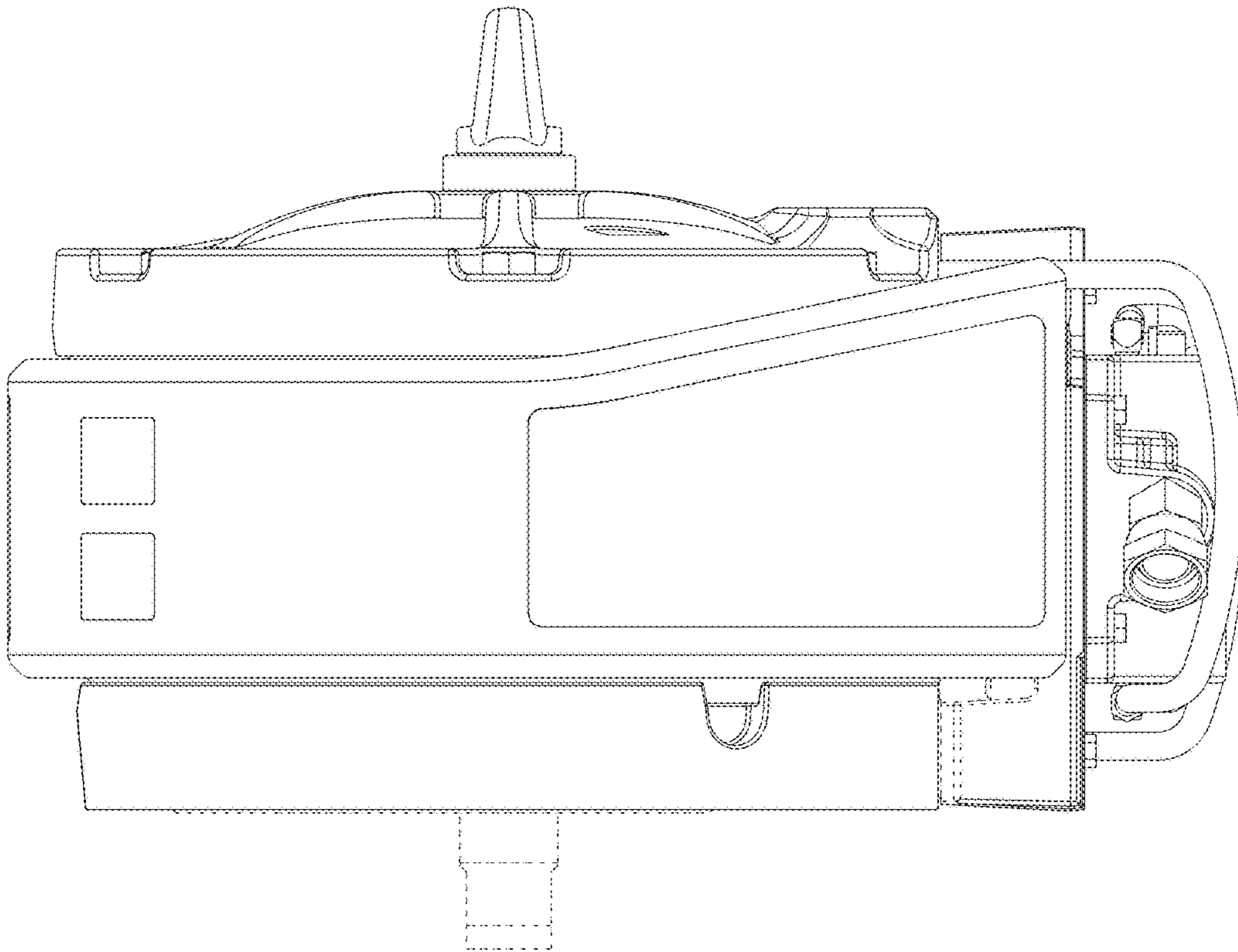


FIG. 3

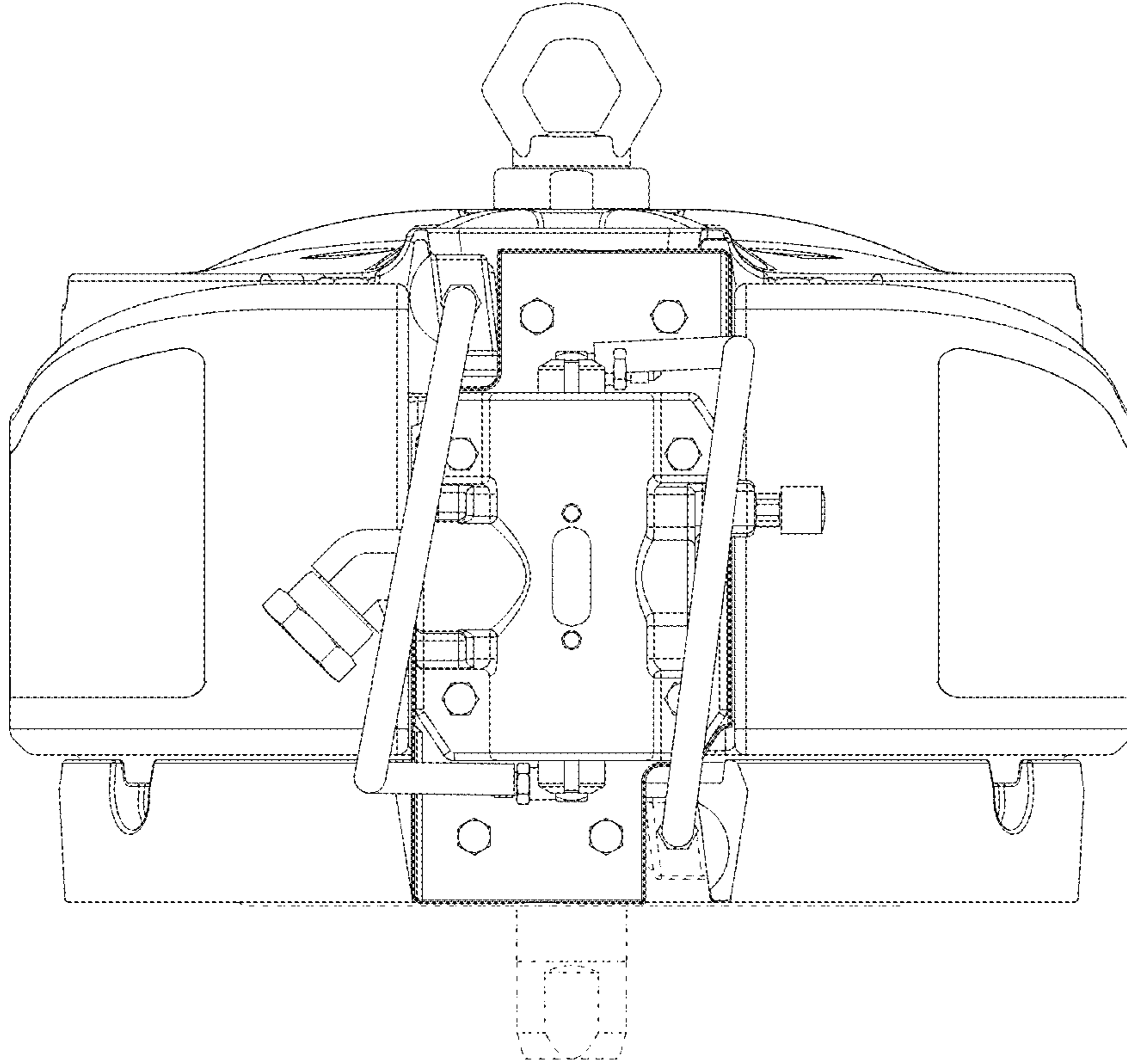


FIG. 4

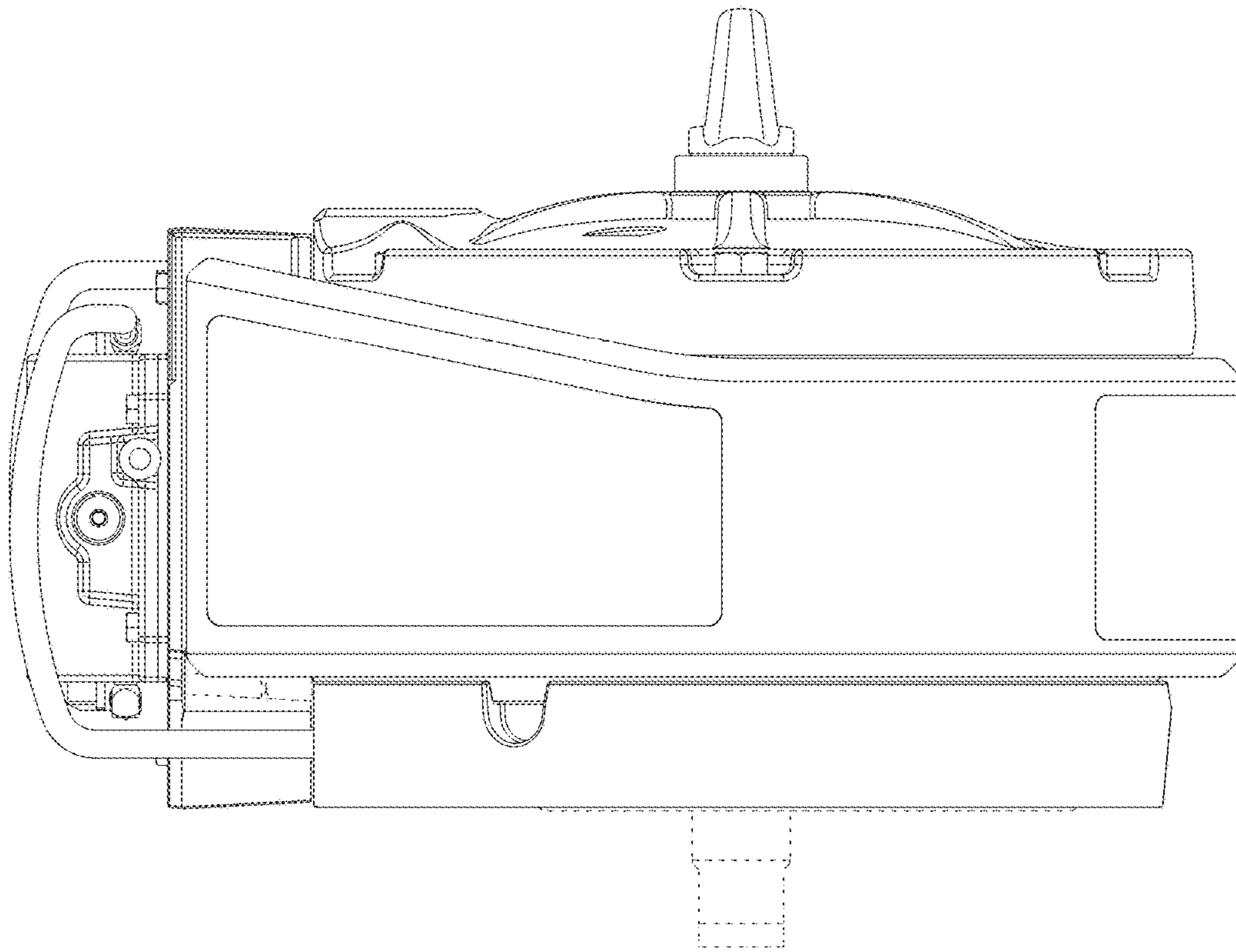


FIG. 5

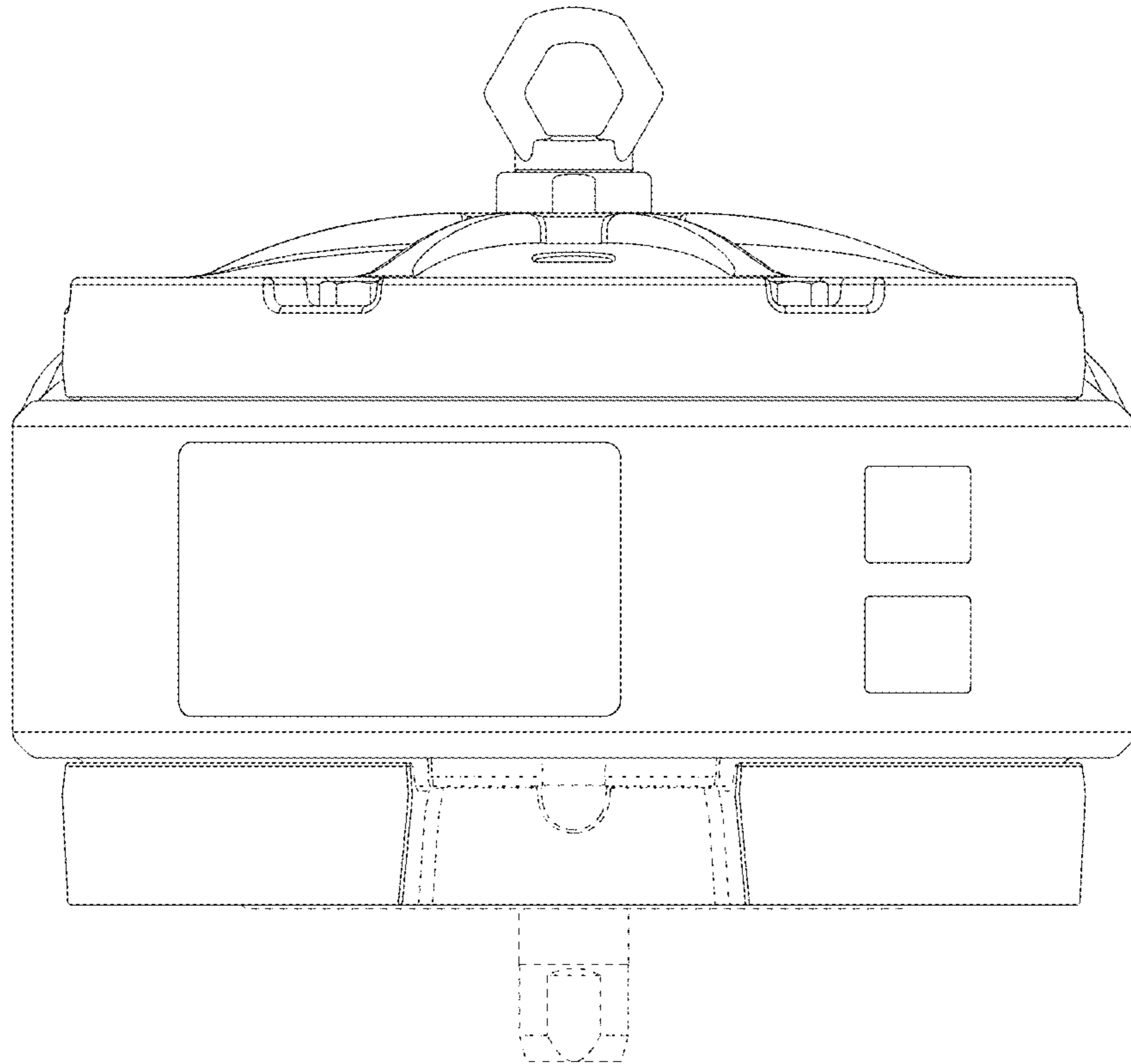


FIG. 6

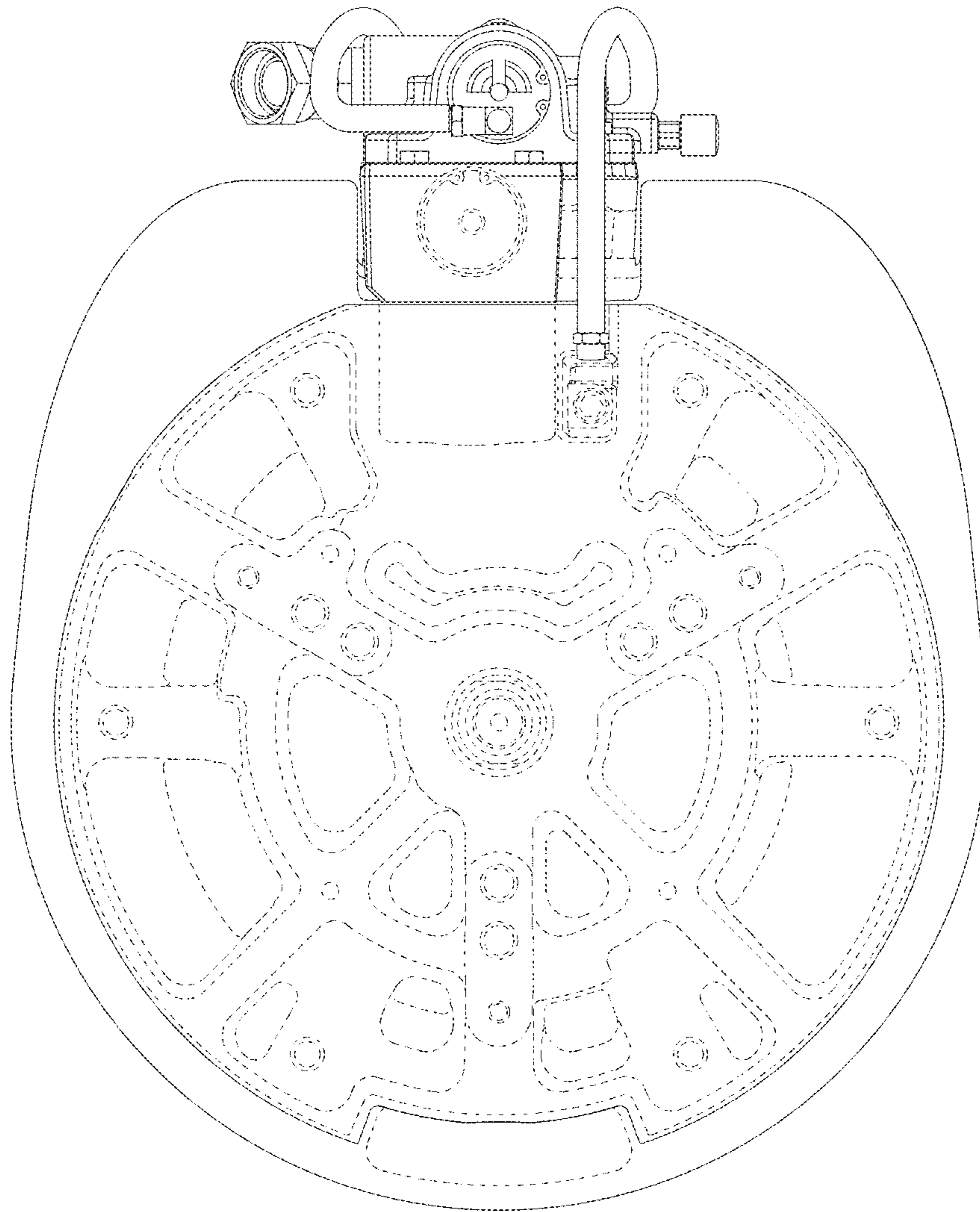


FIG. 7