



US00D786793S

(12) **United States Design Patent**
Lin et al.

(10) **Patent No.:** **US D786,793 S**

(45) **Date of Patent:** **** May 16, 2017**

(54) **REDUNDANT POWER SUPPLY**

(71) Applicant: **SEA SONIC ELECTRONICS CO., LTD.**, Taipei (TW)

(72) Inventors: **Pao-Tsun Lin**, Taipei (TW); **Ten-Chun Chen**, Taipei (TW)

(73) Assignee: **SEA SONIC ELECTRONICS CO., LTD.**, Taipei (TW)

(**) Term: **15 Years**

(21) Appl. No.: **29/567,103**

(22) Filed: **Jun. 6, 2016**

(51) **LOC (10) Cl.** **13-02**

(52) **U.S. Cl.**
USPC **D13/110**

(58) **Field of Classification Search**
USPC D13/101, 102, 107, 108, 110, 112, 118, D13/119, 123, 133, 138.1, 162, 184, 199
CPC H02P 27/04; H02P 27/06; H02P 27/047; H02P 2201/09; H02P 2201/11; H02M 2001/0067; H02M 2001/007; H02M 2001/0045; H02M 2001/0083; H02M 2001/009; G06F 1/00; G06F 1/188; G06F 1/189; G06F 1/26; G06F 11/2015; H01R 13/66; H01R 13/60; H01R 13/72; H01R 13/6675; H01R 31/065; H05K 5/0021; H05K 5/0208; H05K 5/0247; H05K 5/00
See application file for complete search history.

(56) **References Cited**

U.S. PATENT DOCUMENTS

- 5,587,881 A * 12/1996 Wang G06F 1/184 361/695
- 5,612,854 A * 3/1997 Wiscombe G06F 1/184 361/679.6

- 5,777,848 A * 7/1998 McAnally G06F 1/188 312/223.2
- D418,808 S * 1/2000 Lee D13/110
- D431,810 S * 10/2000 Weng D13/110
- D563,316 S * 3/2008 Higuchi D13/110
- D662,053 S * 6/2012 Inskeep D13/110
- D675,565 S * 2/2013 Choi D13/110
- D704,638 S * 5/2014 Inskeep D13/110
- D705,728 S * 5/2014 Choi D13/110
- D745,847 S * 12/2015 Ho D13/110
- D755,123 S * 5/2016 Ho D13/110

* cited by examiner

Primary Examiner — Rosemary K Tarcza

Assistant Examiner — Christy Nemeth

(74) *Attorney, Agent, or Firm* — Muncy, Geissler, Olds & Lowe, P.C.

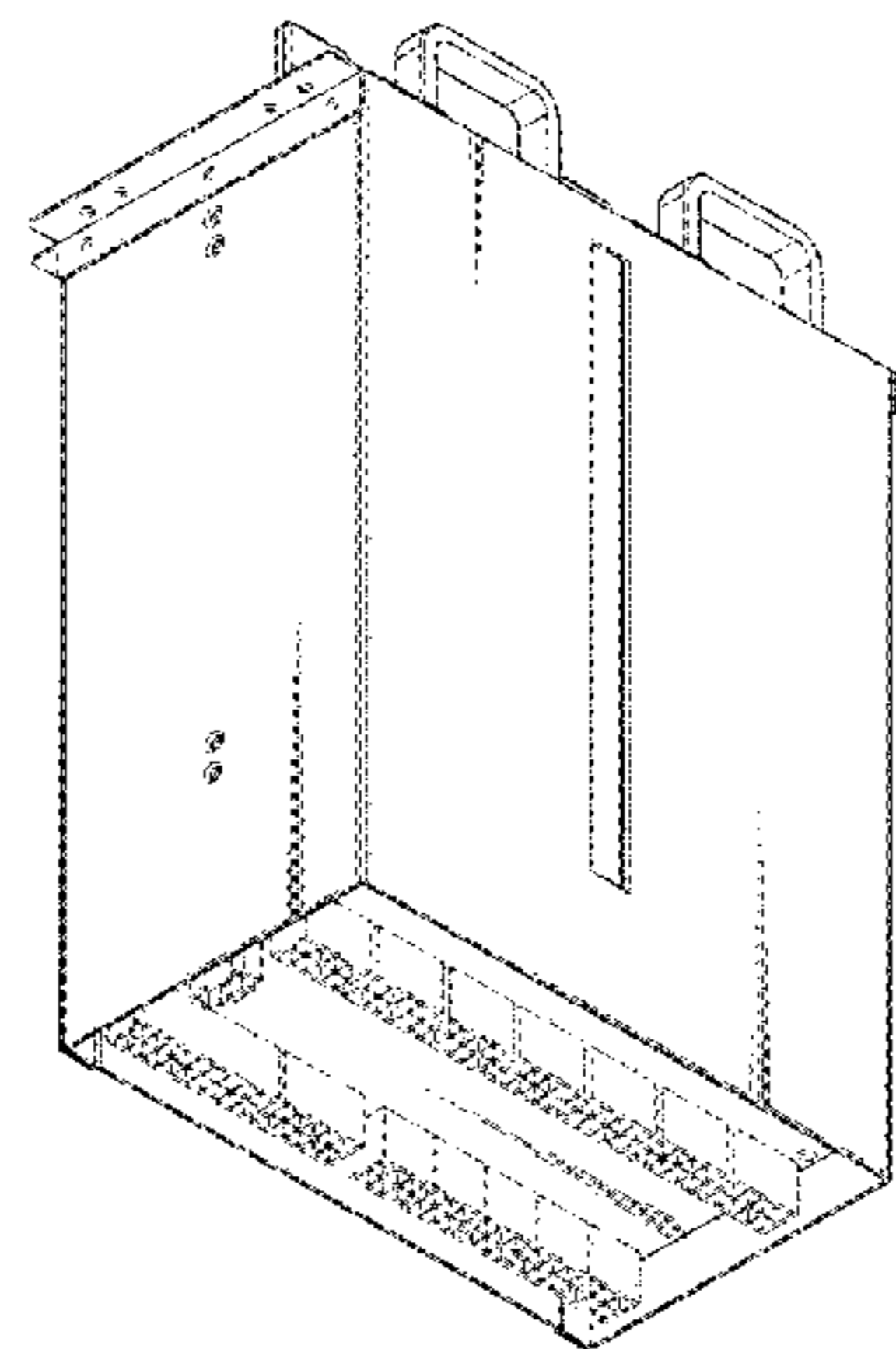
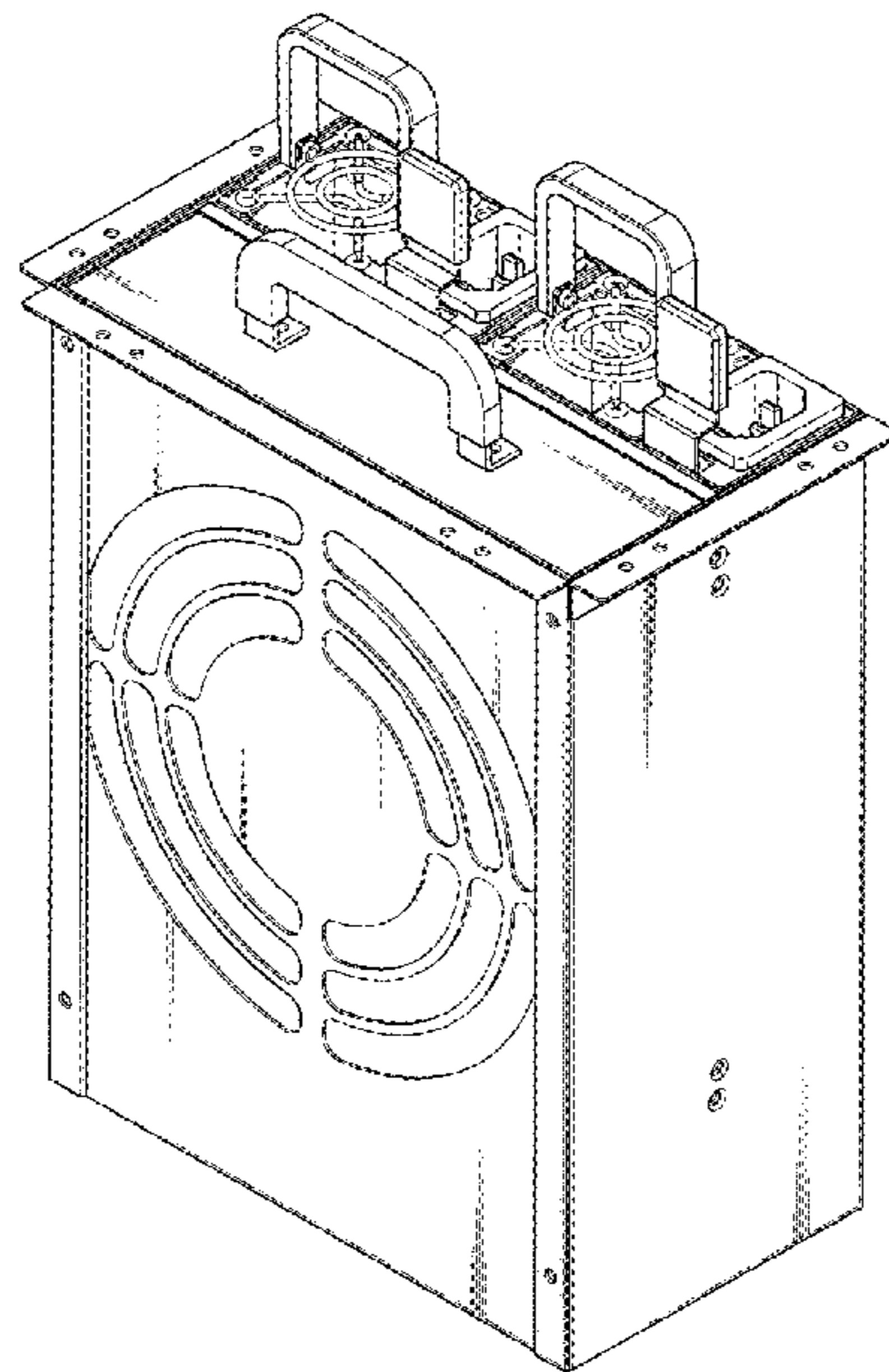
(57) **CLAIM**

The ornamental design for a redundant power supply, as shown and described.

DESCRIPTION

FIG. 1 is a front perspective view of a redundant power supply showing our new design; FIG. 2 is a front elevation view thereof; FIG. 3 is a rear elevation view thereof; FIG. 4 is a left side elevation view thereof; FIG. 5 is a right side elevation view thereof; FIG. 6 is a top plan view thereof; FIG. 7 is a bottom plan view thereof; and, FIG. 8 is a rear perspective view.

1 Claim, 7 Drawing Sheets



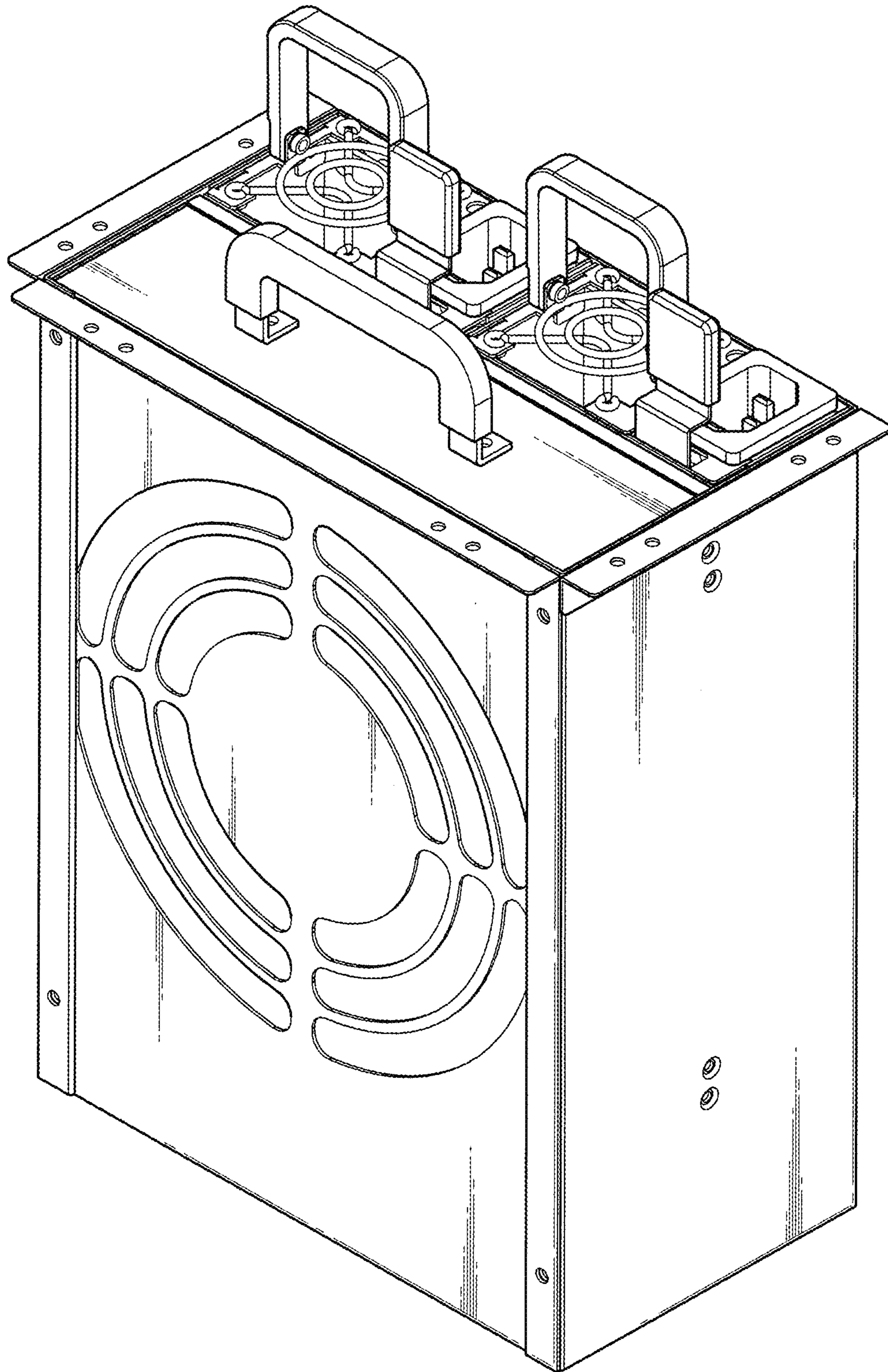


Fig. 1

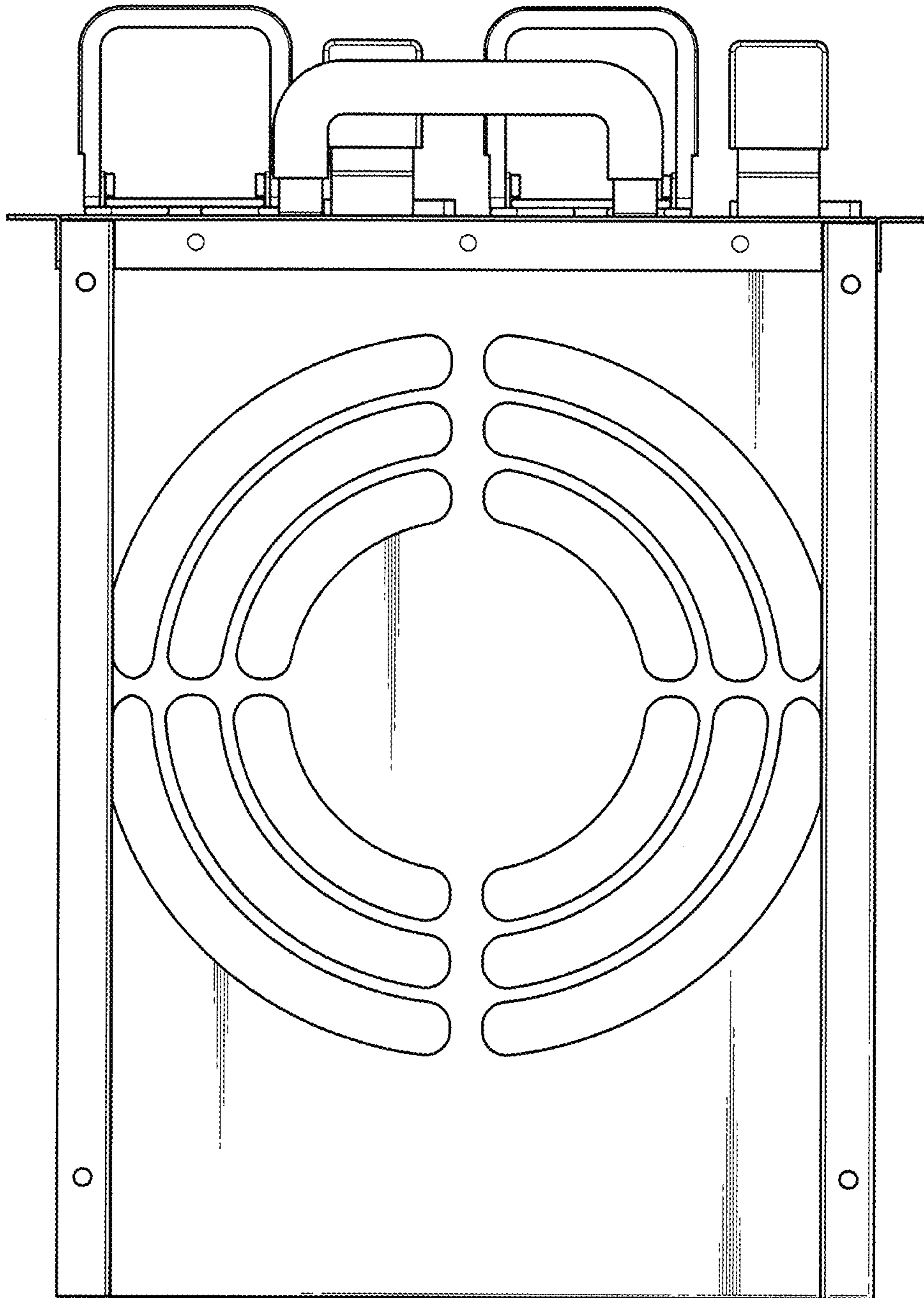


Fig. 2

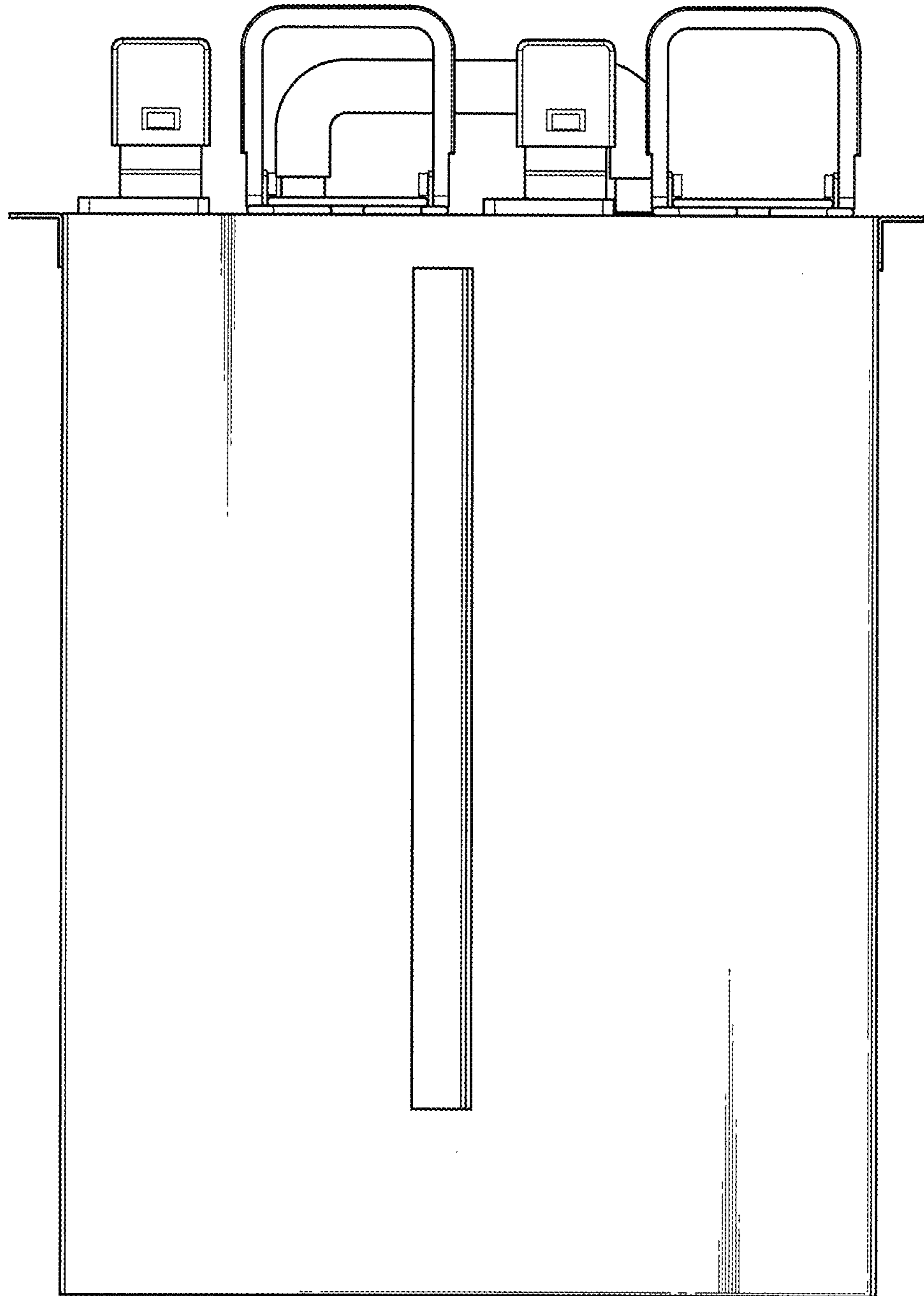


Fig. 3

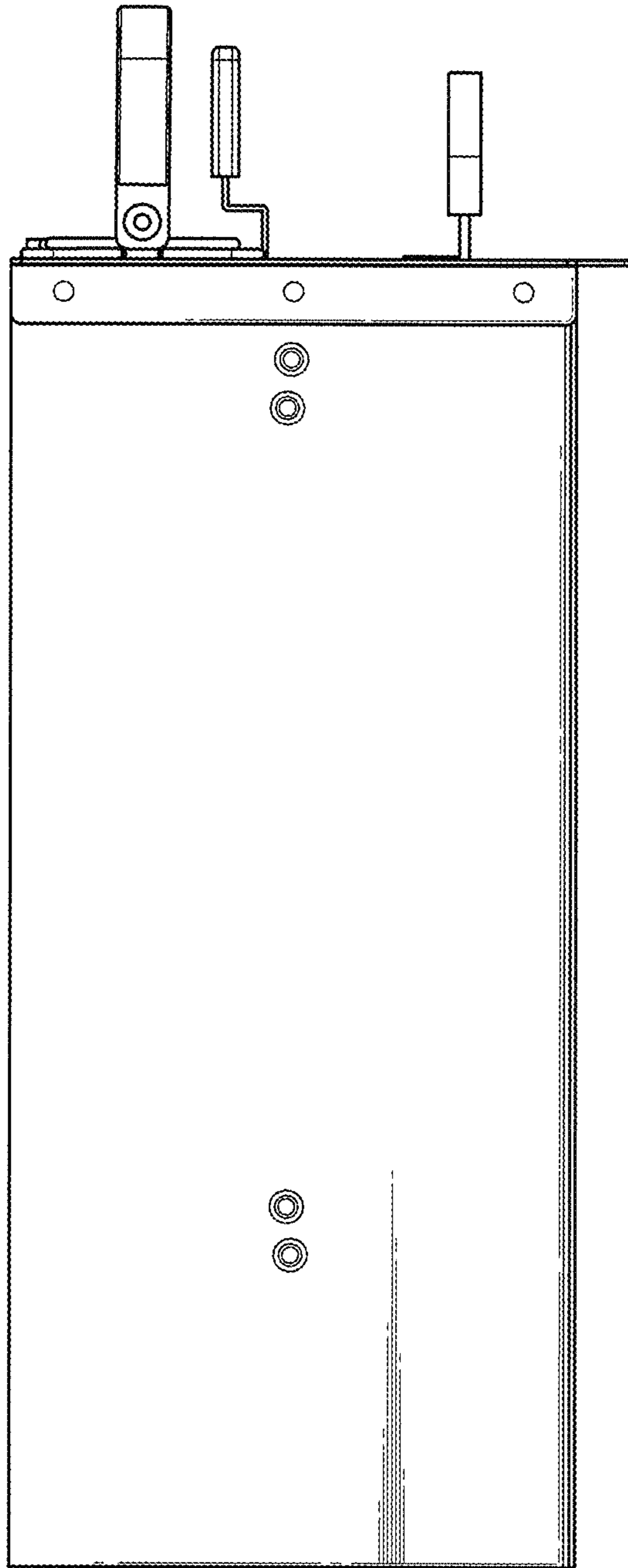


Fig. 4

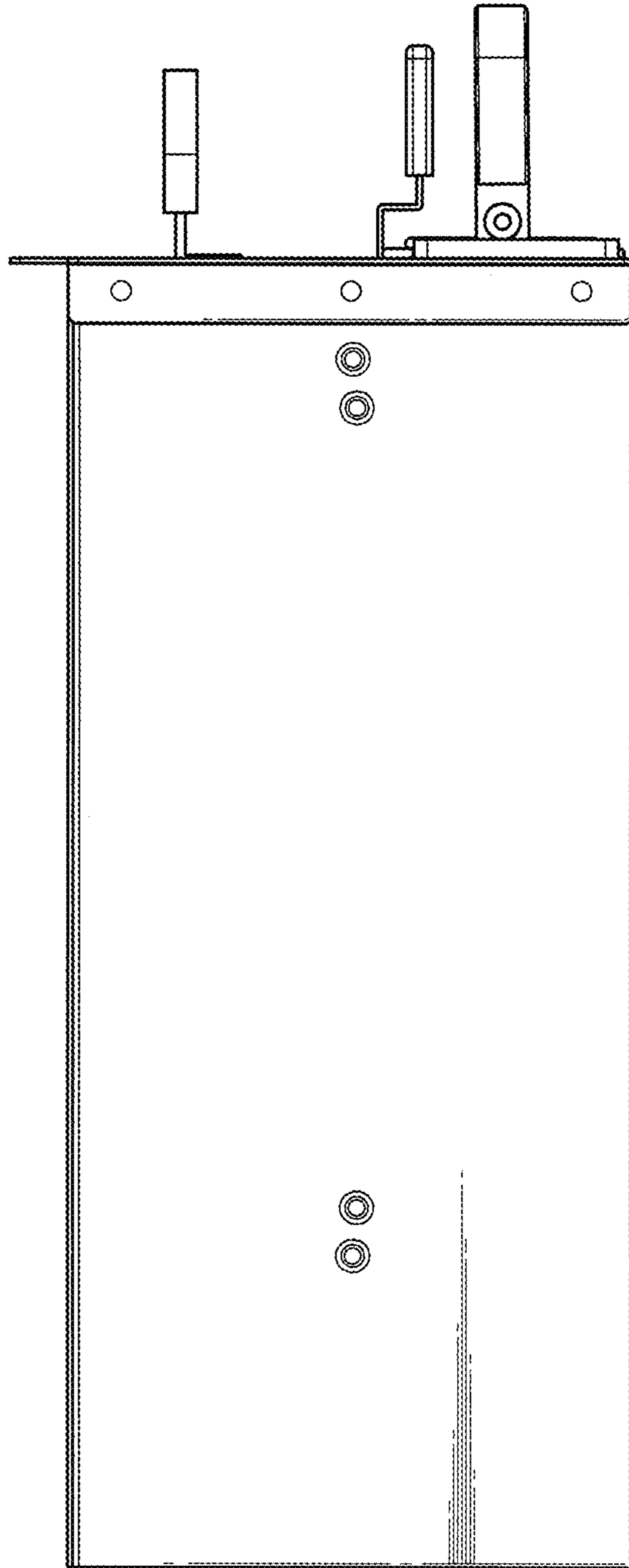


Fig. 5

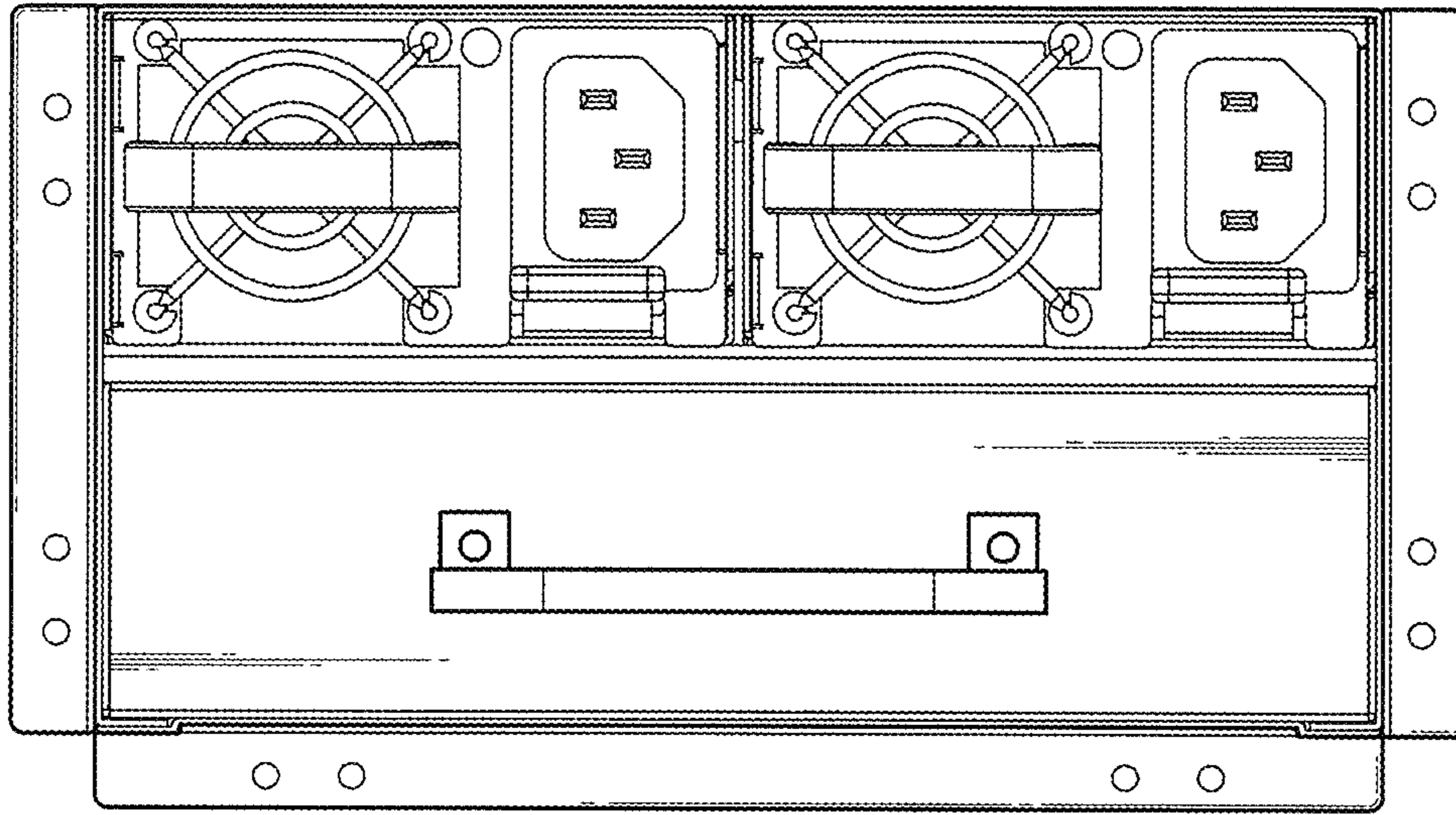


Fig. 6

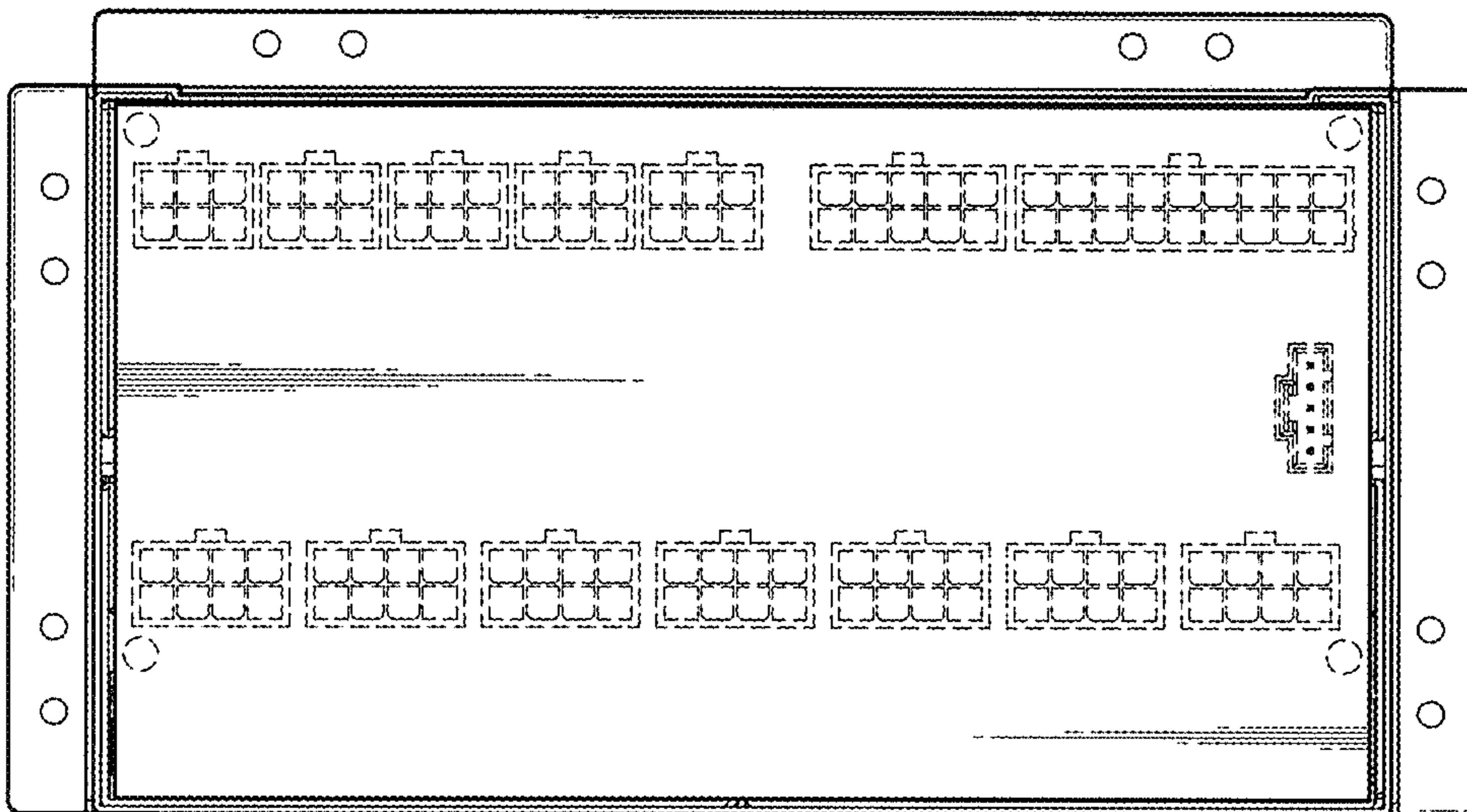


Fig. 7

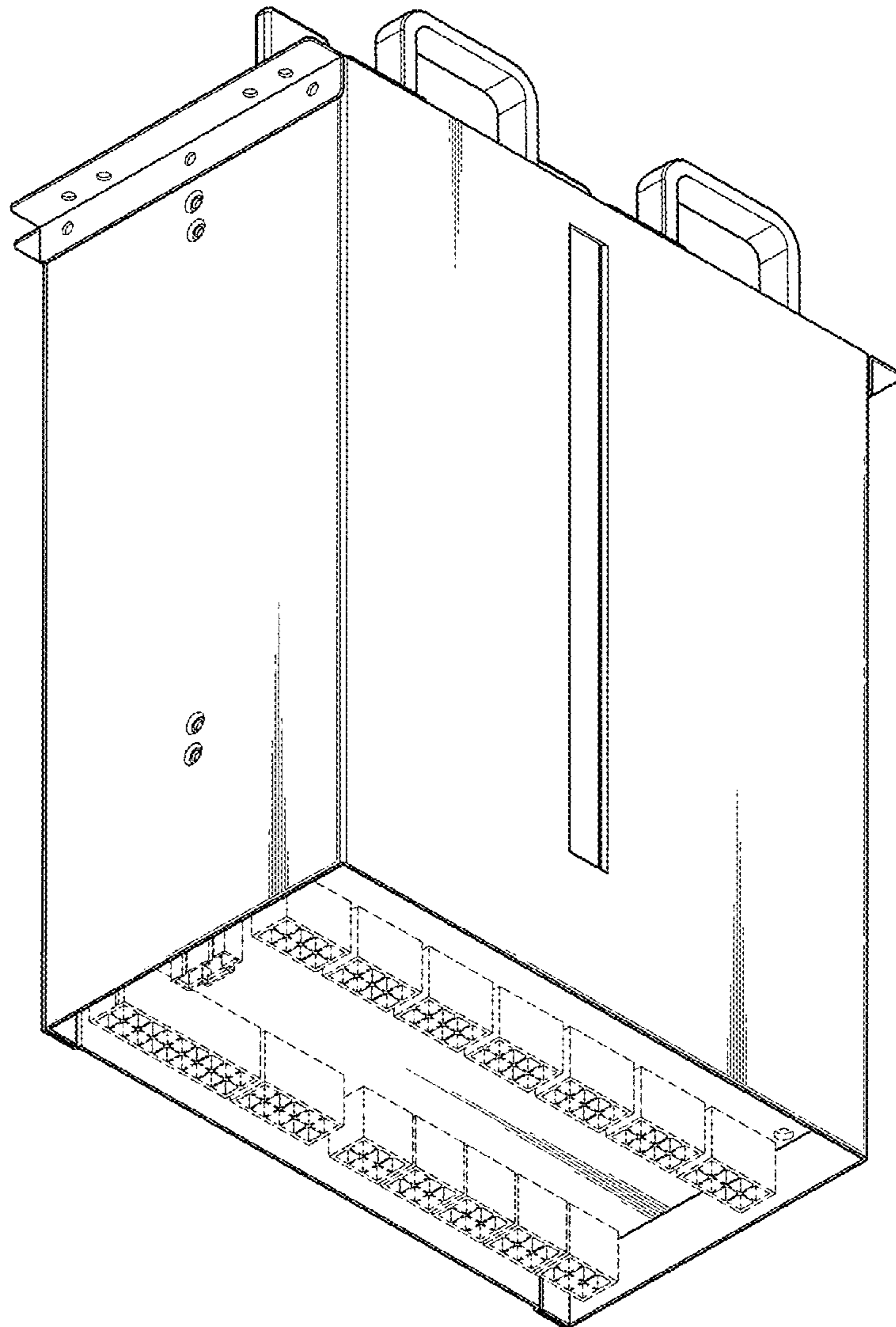


Fig. 8