



US00D786792S

(12) **United States Design Patent** (10) **Patent No.:** **US D786,792 S**
Miller et al. (45) **Date of Patent:** **** May 16, 2017**

- (54) **COMBINATION POWER ADAPTER AND DETACHABLE BATTERY**
- (71) Applicant: **Halo2Cloud LLC**, Glastonbury, CT (US)
- (72) Inventors: **Garold C. Miller**, Glastonbury, CT (US); **Nathan Daniel Weinstein**, Glastonbury, CT (US)
- (73) Assignee: **HALO2CLOUD LLC**, Glastonbury, CT (US)
- (**) Term: **15 Years**
- (21) Appl. No.: **29/558,564**
- (22) Filed: **Mar. 18, 2016**
- (51) **LOC (10) Cl.** **13-02**
- (52) **U.S. Cl.**
USPC **D13/110**
- (58) **Field of Classification Search**
USPC D13/110, 107, 119, 184, 108;
D14/480.1-480.7, 356; D8/373;
320/107-115; 439/105, 131, 669
CPC B65H 75/02; B65H 75/241; H01R 13/60;
H01R 13/72; H02J 7/0042; H02J 7/0045
See application file for complete search history.

(56) **References Cited**

U.S. PATENT DOCUMENTS

D478,310 S	8/2003	Andre et al.	
D478,546 S	8/2003	Andre et al.	
D599,737 S *	9/2009	Amidei	D13/110
D599,738 S	9/2009	Amidei et al.	
D610,094 S	2/2010	Ouimette et al.	
D616,363 S	5/2010	Weng	
7,766,698 B1	8/2010	De Iuliis et al.	
D628,151 S *	11/2010	Wegener	D13/108
D628,152 S	11/2010	Fujii et al.	
D628,153 S	11/2010	Fujii et al.	

D636,725 S	4/2011	Levy et al.	
D641,695 S	7/2011	Wegener et al.	
D647,476 S	10/2011	Ciou	
D649,017 S *	11/2011	Stieler	D8/356
D656,096 S	3/2012	Sasada et al.	
D659,093 S *	5/2012	Schmid	D13/108
D663,684 S	7/2012	Yang	
D663,685 S	7/2012	Yang	

(Continued)

Primary Examiner — Daniel Bui

Assistant Examiner — Andrew Kerr

(74) *Attorney, Agent, or Firm* — McCormick, Paulding & Huber LLP

(57) **CLAIM**

The ornamental design for a combination power adapter and detachable battery, substantially as shown and described.

DESCRIPTION

FIG. 1 is a front, top perspective view of a combination power adapter and detachable battery showing my new design;

FIG. 2 is a front view thereof;

FIG. 3 is a back view thereof;

FIG. 4 is a left-hand side view thereof;

FIG. 5 is a right-hand side view thereof;

FIG. 6 is a top view thereof;

FIG. 7 is a bottom view thereof; and

FIG. 8 is another front, top perspective view thereof in an alternate configuration;

FIG. 9 is another front view thereof;

FIG. 10 is another back view thereof;

FIG. 11 is another left-hand side view thereof;

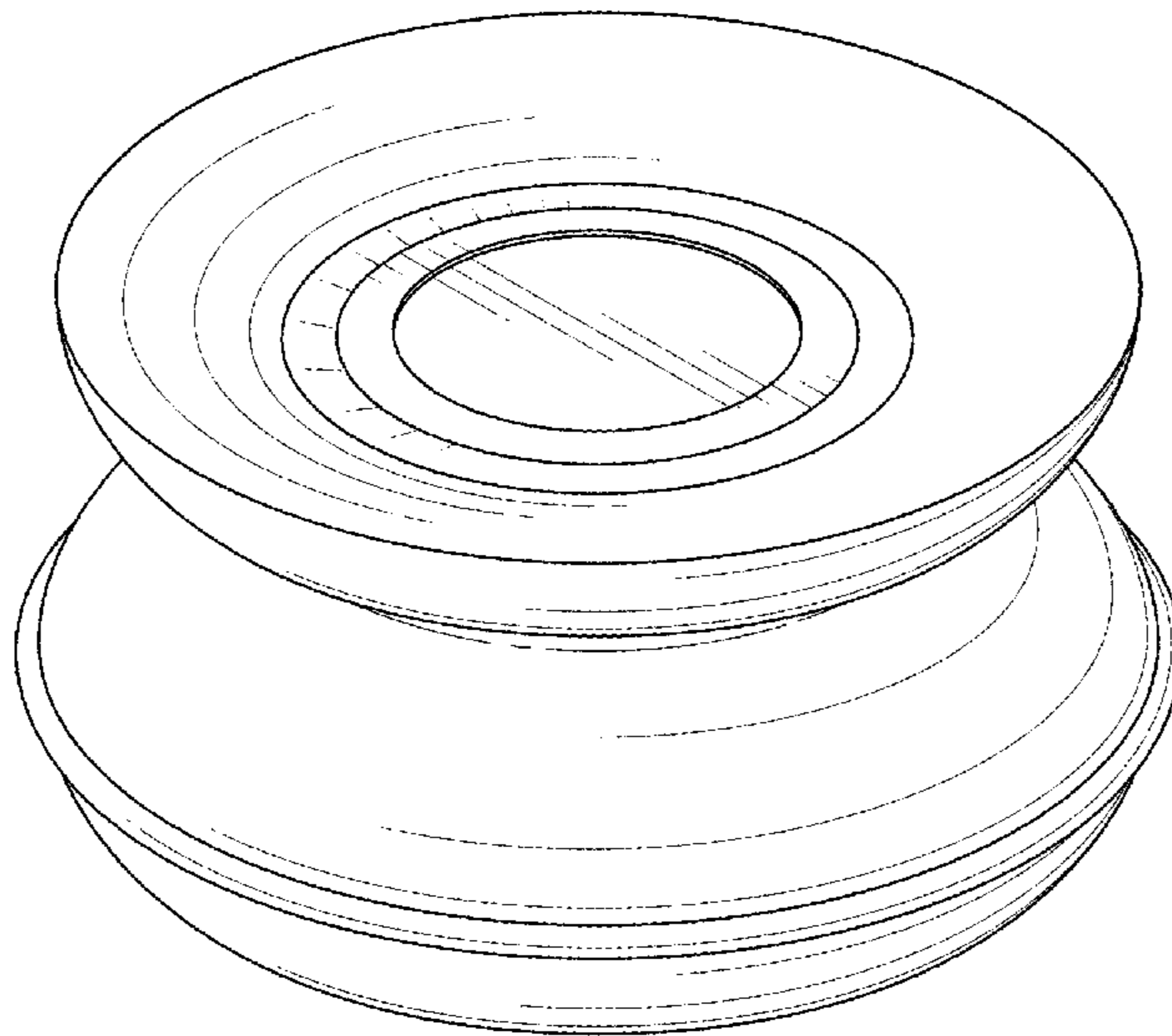
FIG. 12 is another right-hand side view thereof;

FIG. 13 is another top view thereof; and,

FIG. 14 is another bottom view thereof.

The broken line portions of the figure drawings are included to show unclaimed subject matter only and form no part of the claimed design.

1 Claim, 10 Drawing Sheets



(56)

References Cited

U.S. PATENT DOCUMENTS

D666,968	S	9/2012	Huang	
D667,788	S	9/2012	Mai	
D674,748	S	1/2013	Ferber et al.	
D680,063	S	4/2013	Sasada	
D682,196	S	5/2013	Leung	
D682,197	S	5/2013	Leung	
D694,185	S	11/2013	Matsuoka et al.	
D702,632	S	4/2014	Salmon	
D712,829	S *	9/2014	Huang	D13/110
2013/0119181	A1 *	5/2013	Fan	B65H 75/241 242/400.1
2014/0179153	A1 *	6/2014	Ashcraft	H01R 13/60 439/501
2016/0276856	A1 *	9/2016	Miller	H02J 7/0042
2016/0380446	A1 *	12/2016	Loewen	H02J 7/0045 320/107

* cited by examiner

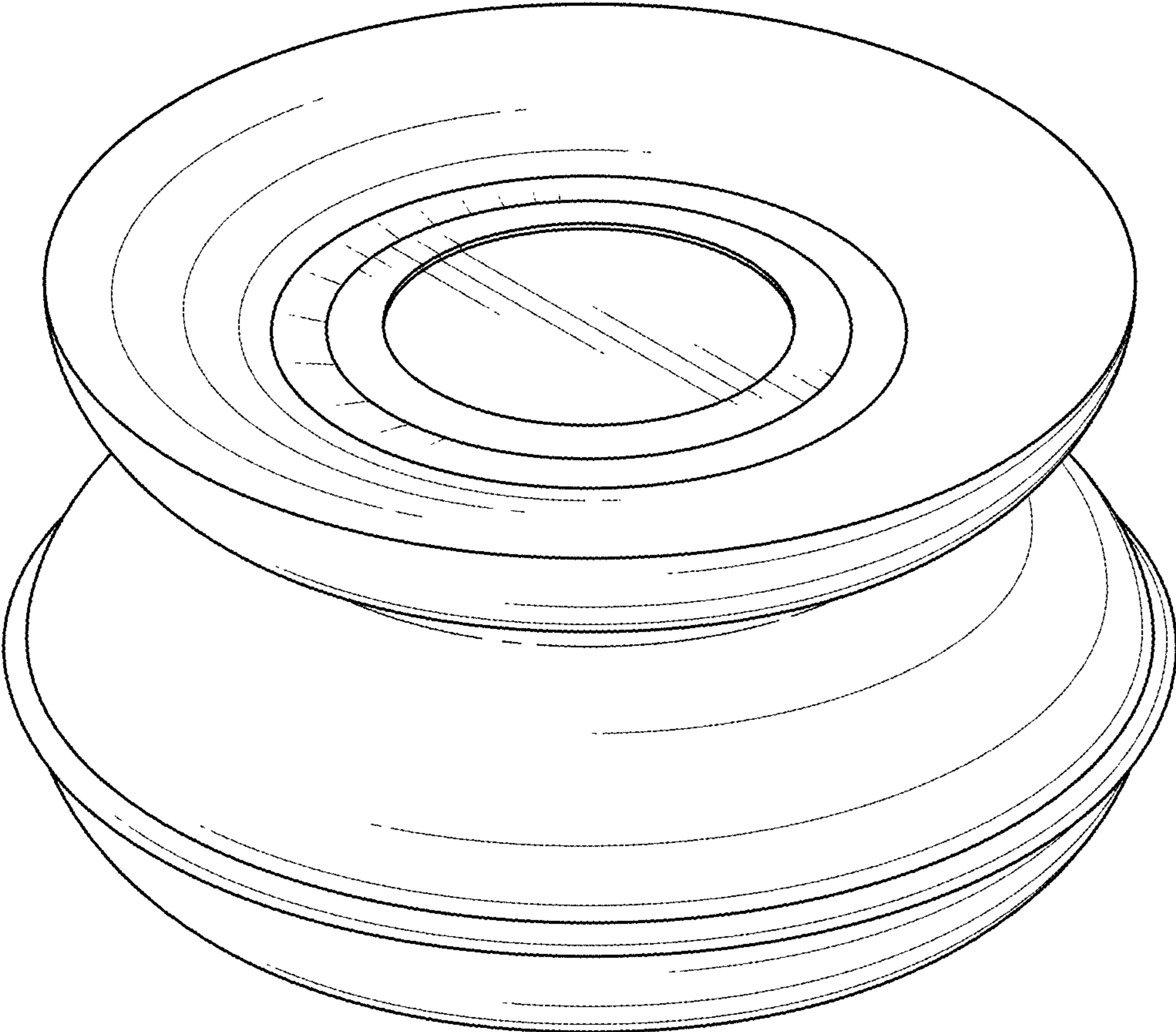


FIG. 1

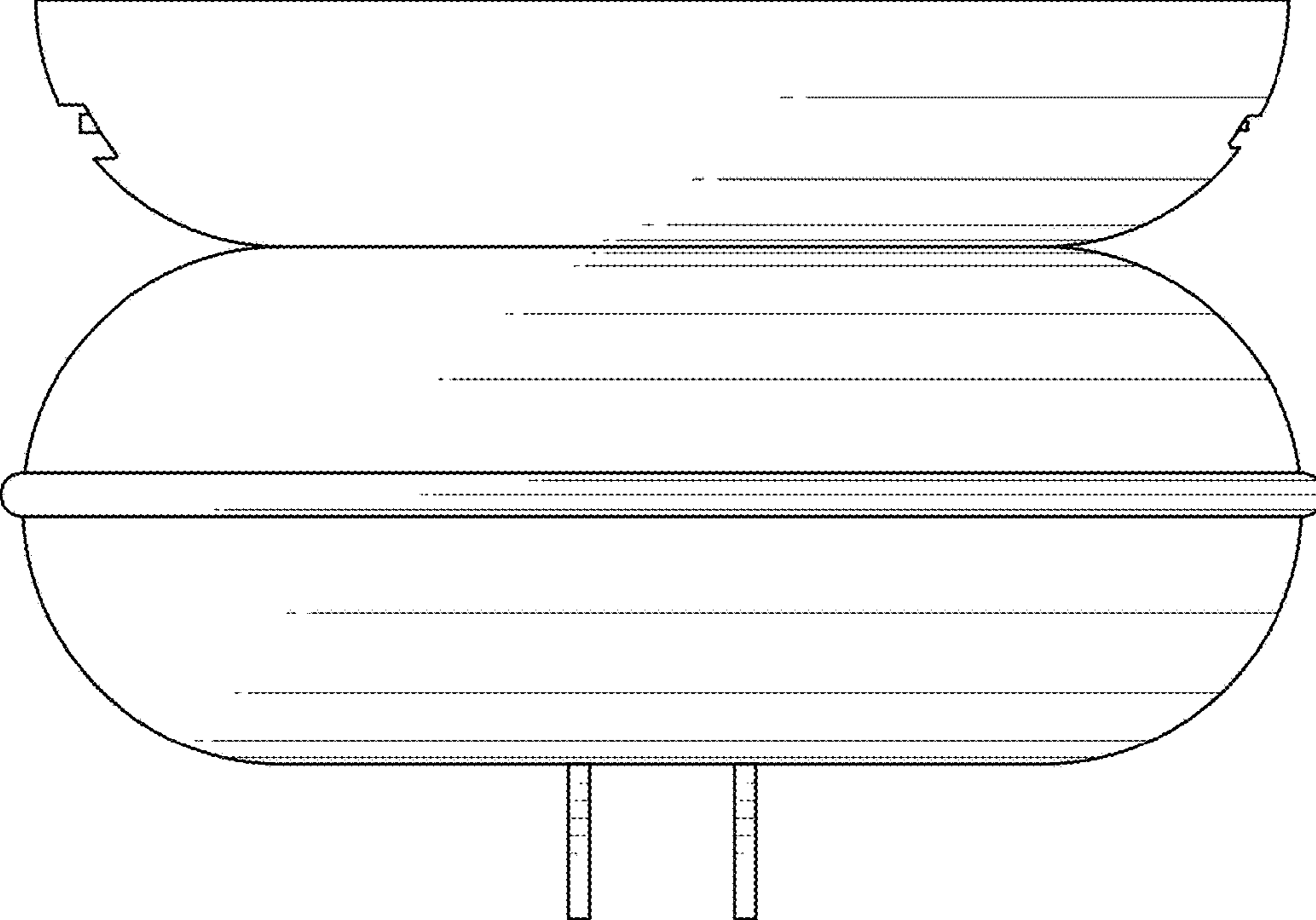


FIG. 2

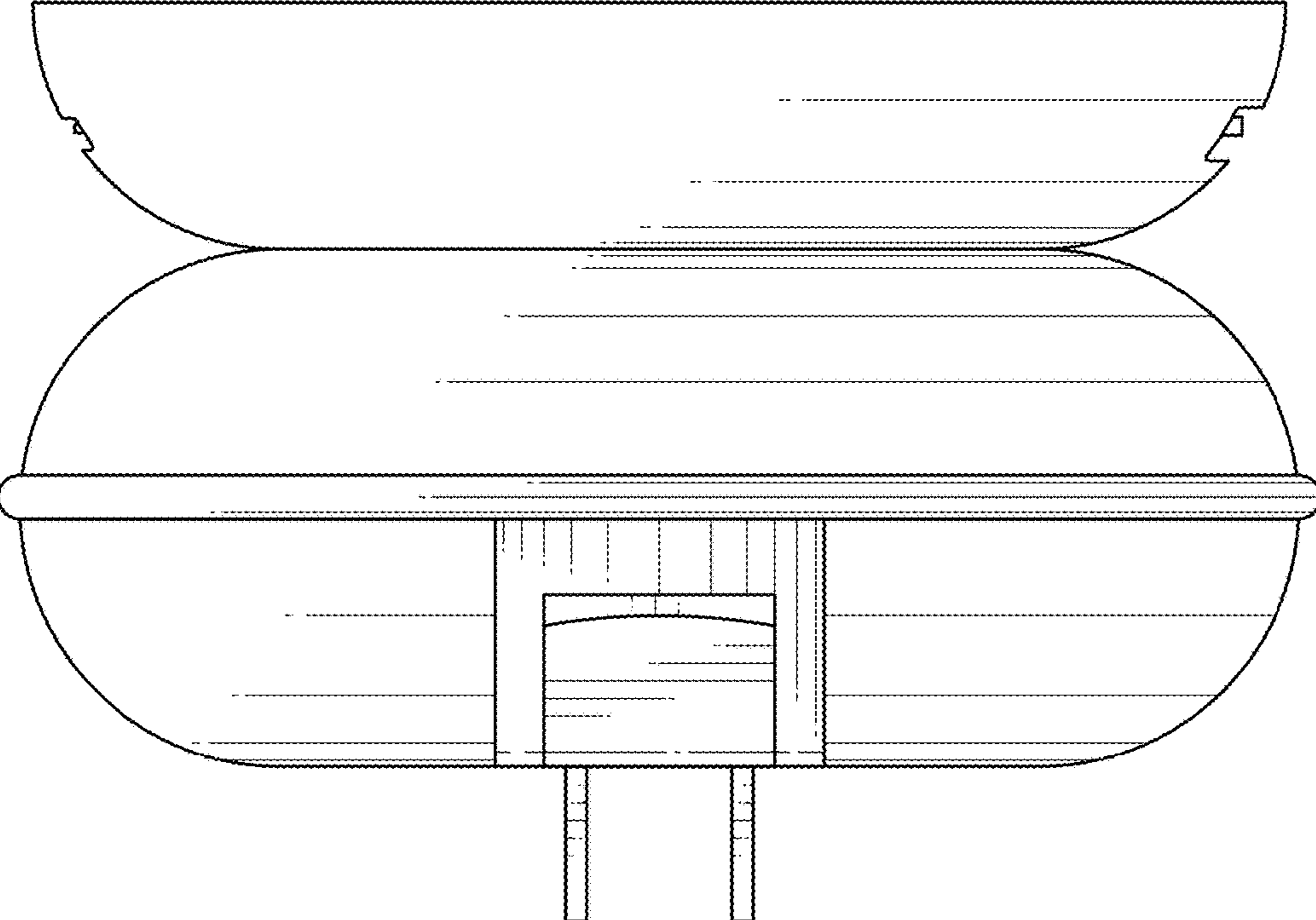


FIG. 3

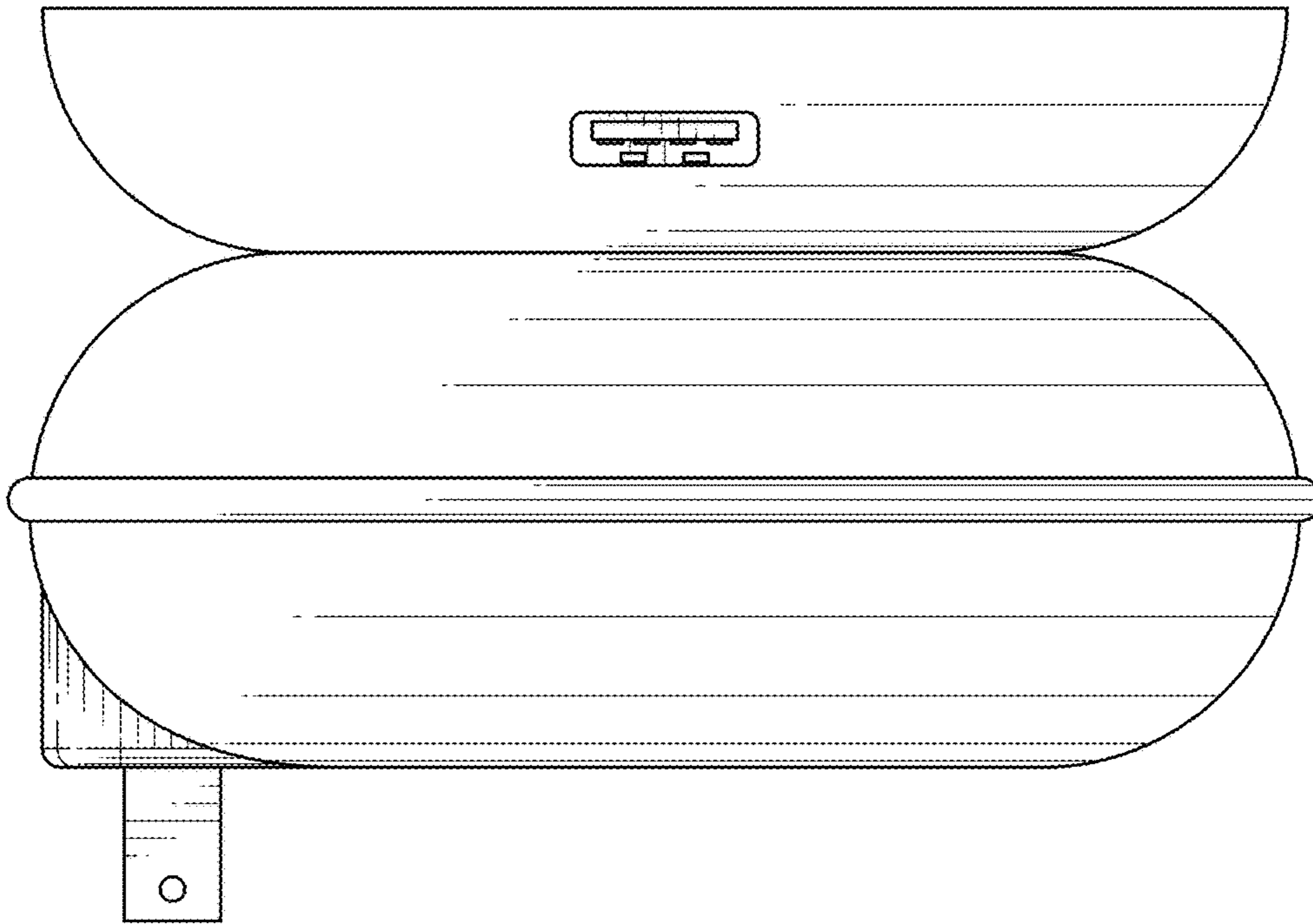


FIG. 4

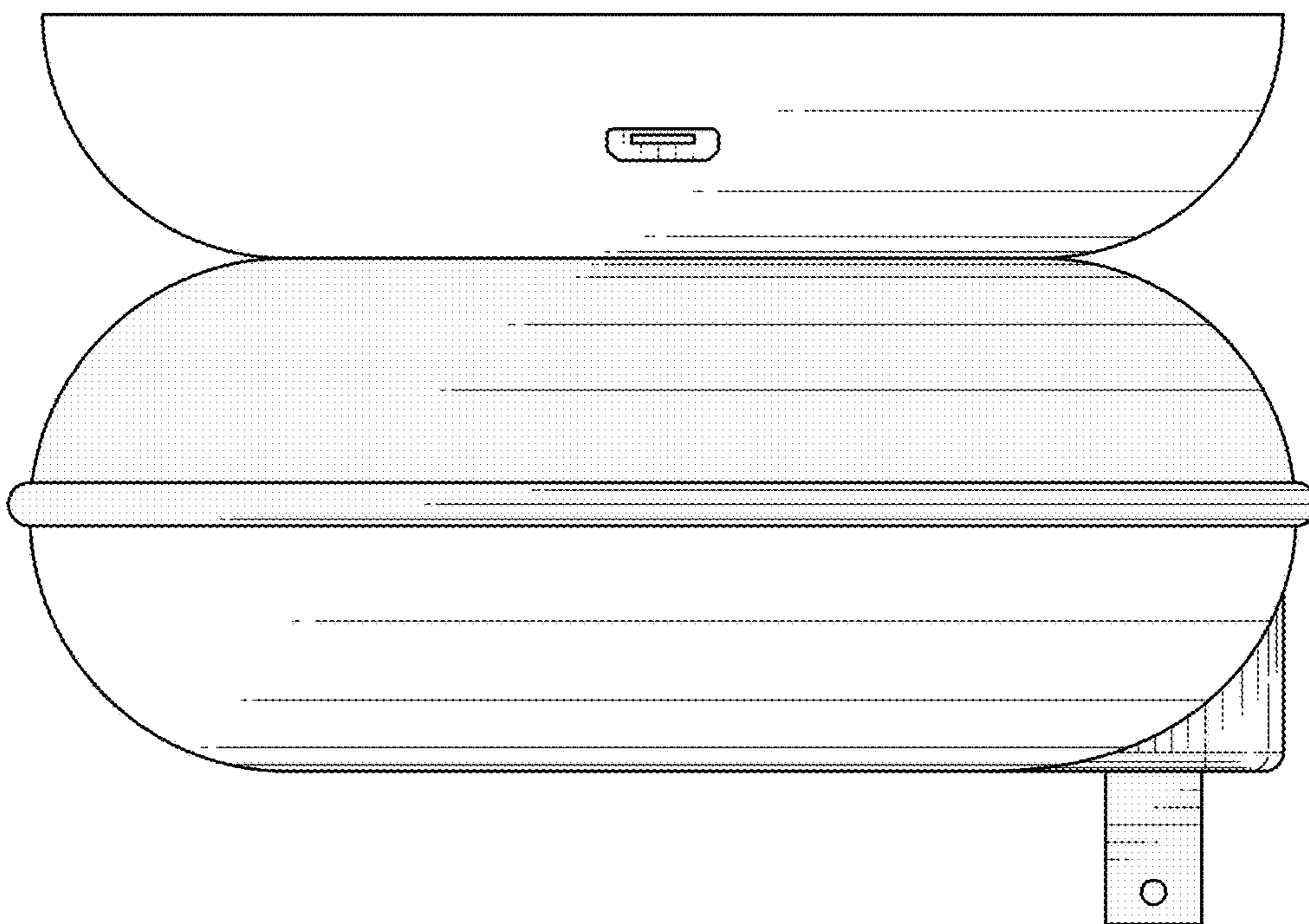


FIG. 5

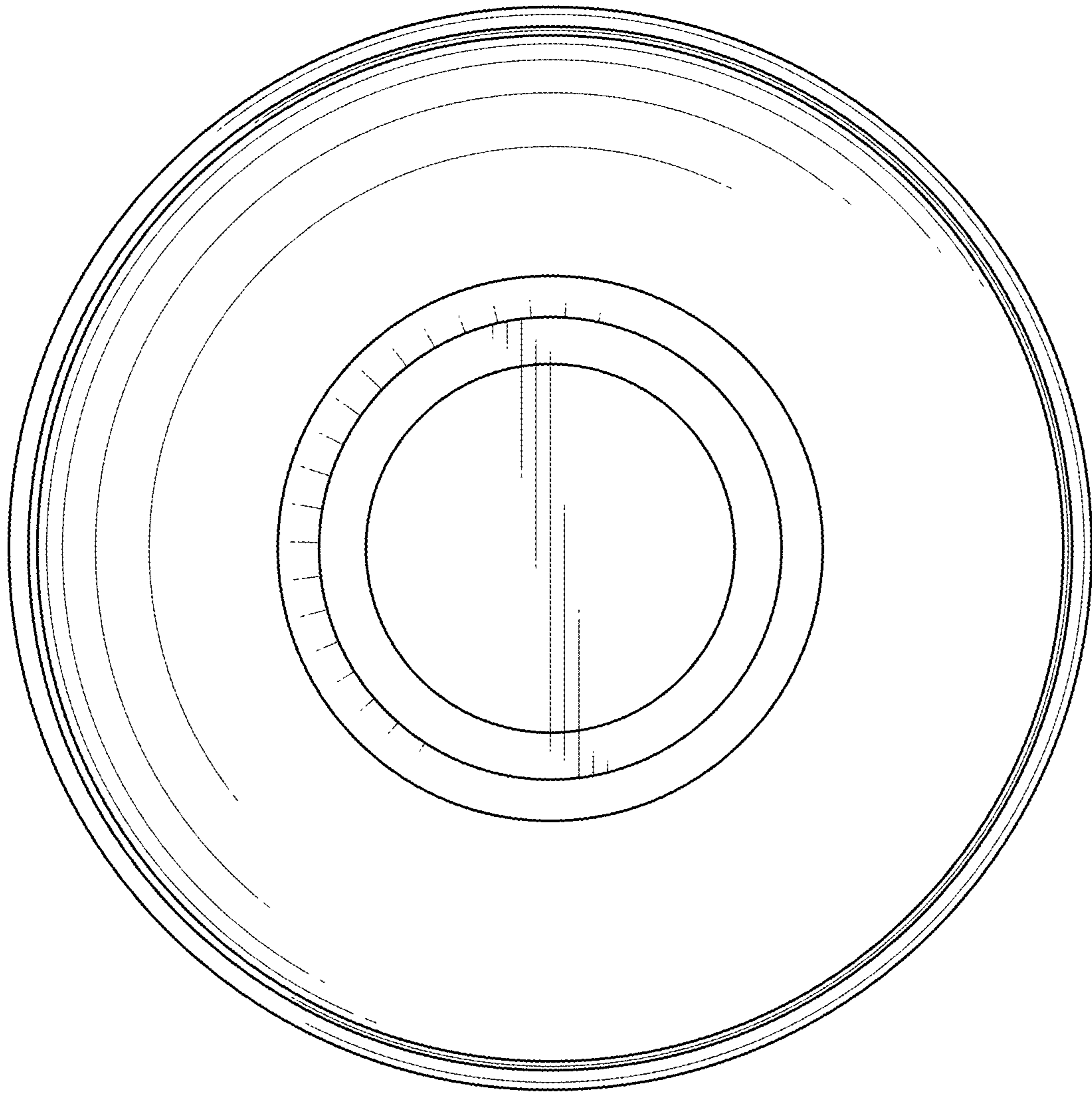


FIG. 6

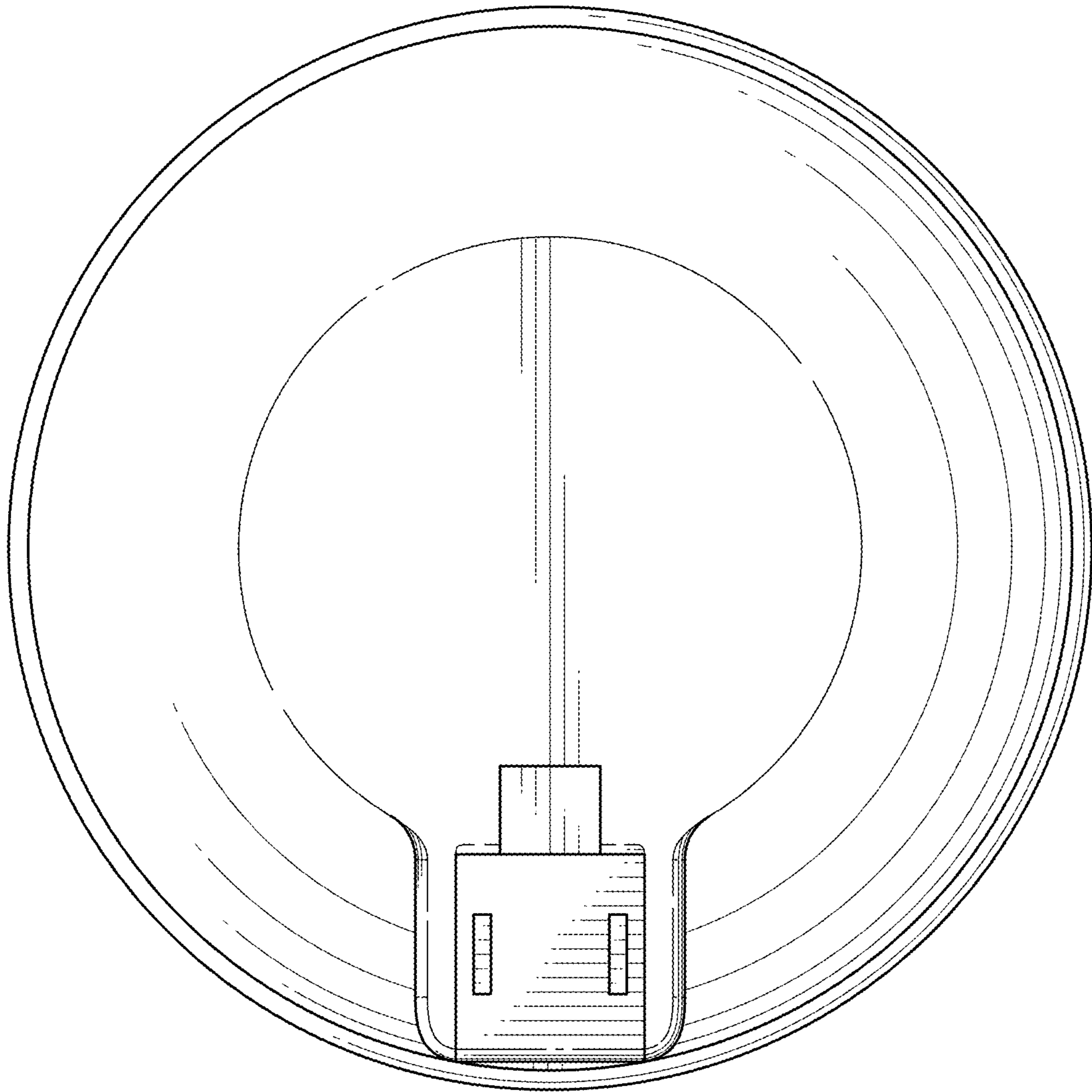


FIG. 7

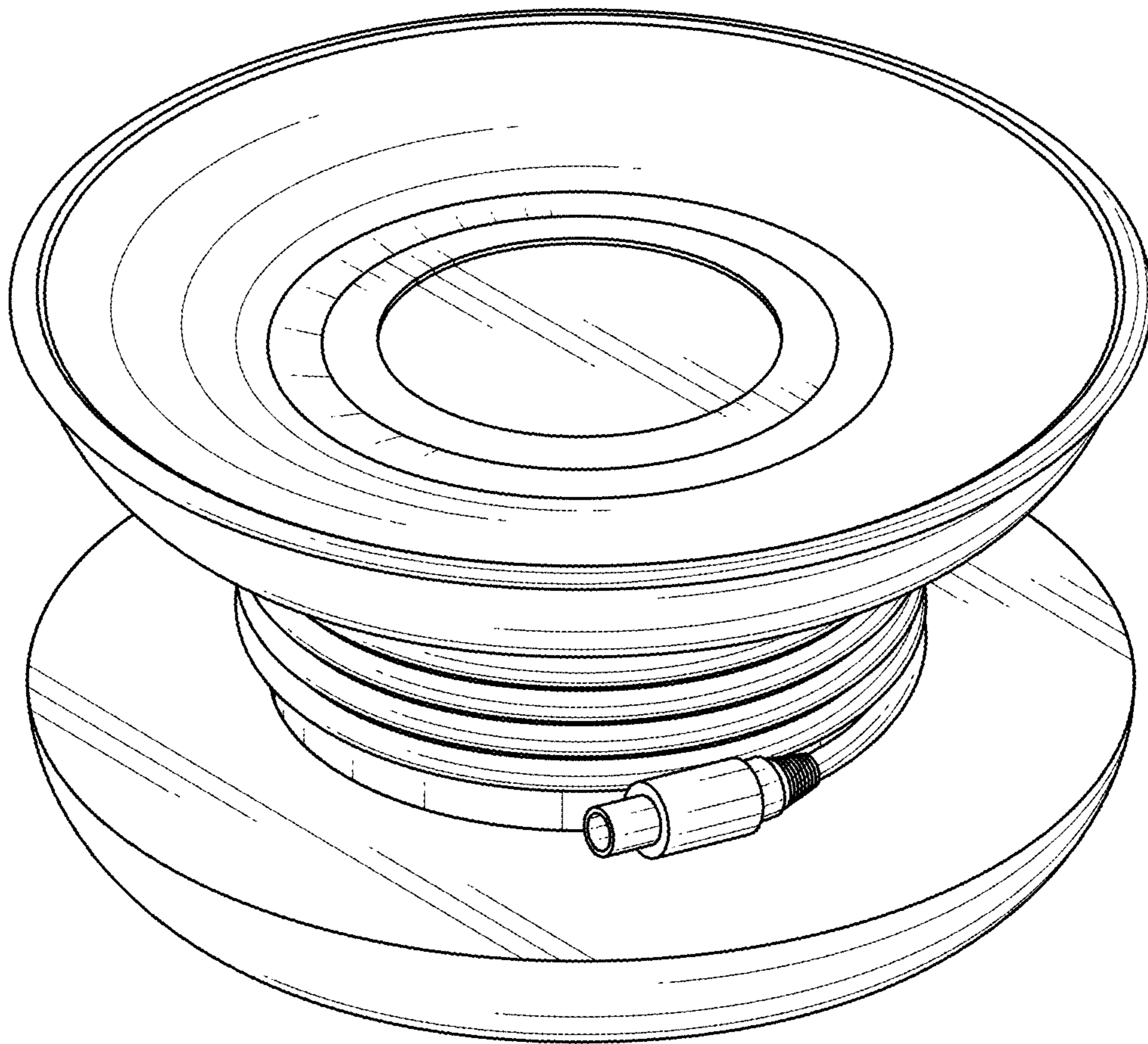


FIG. 8

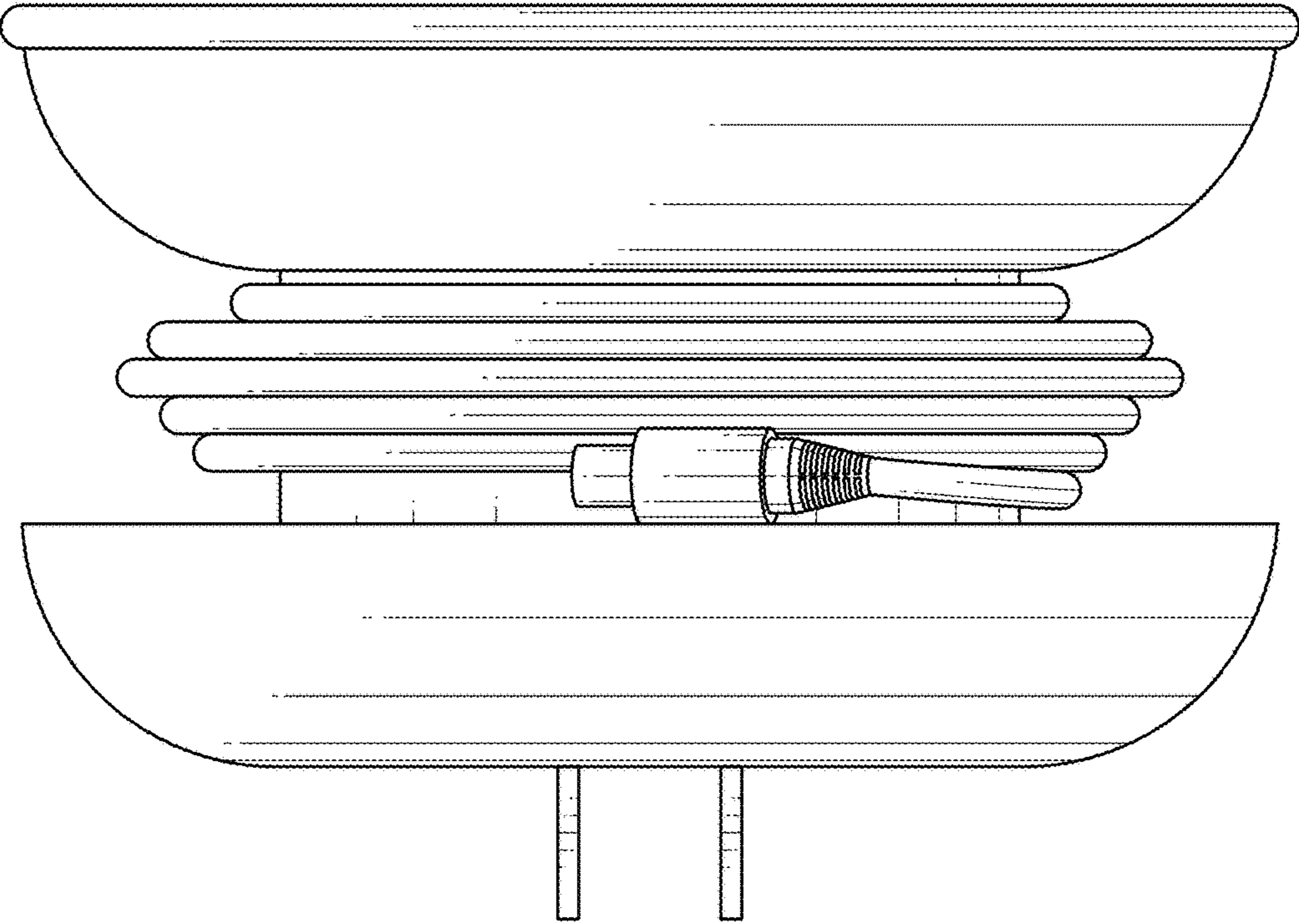


FIG. 9

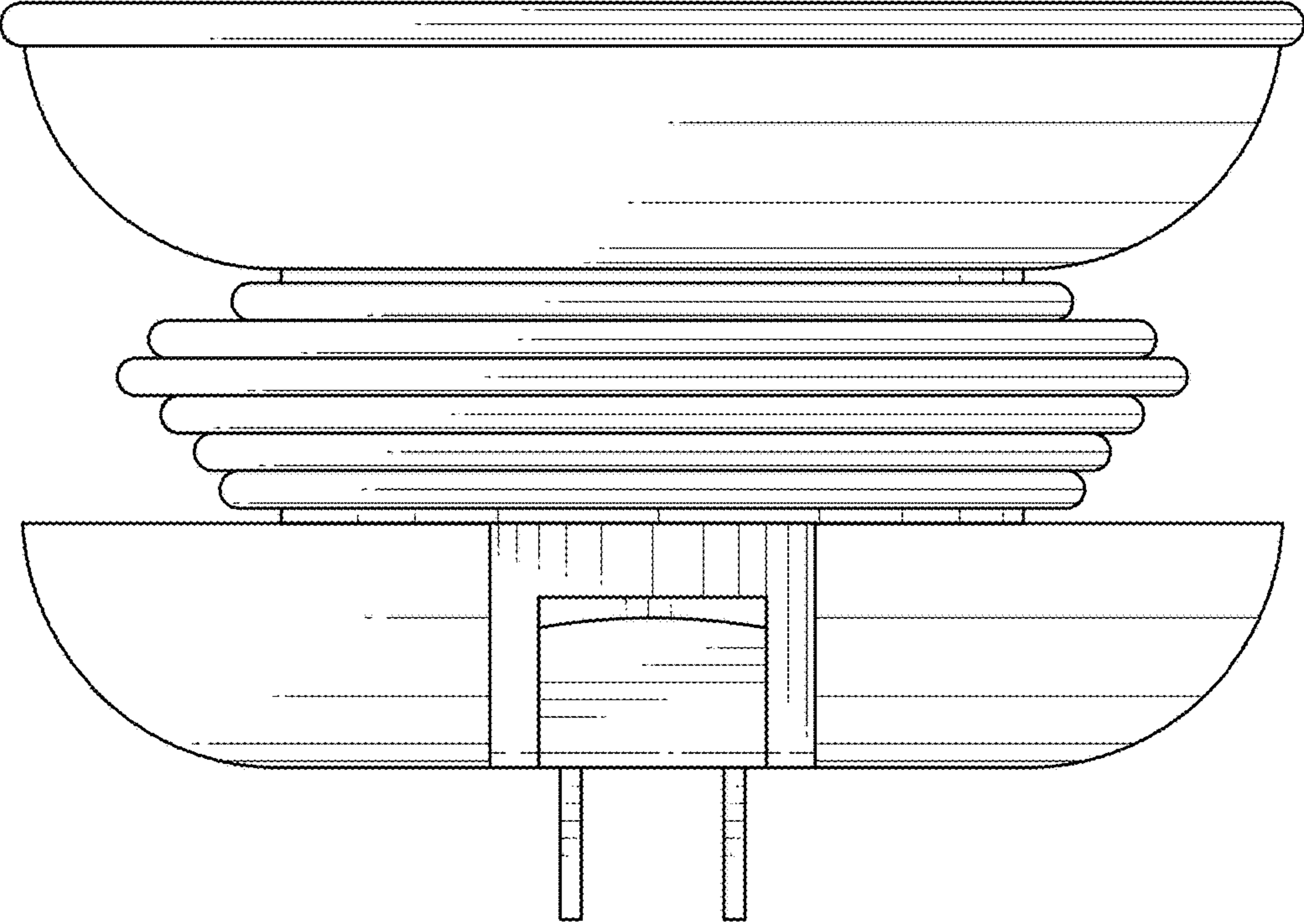


FIG. 10

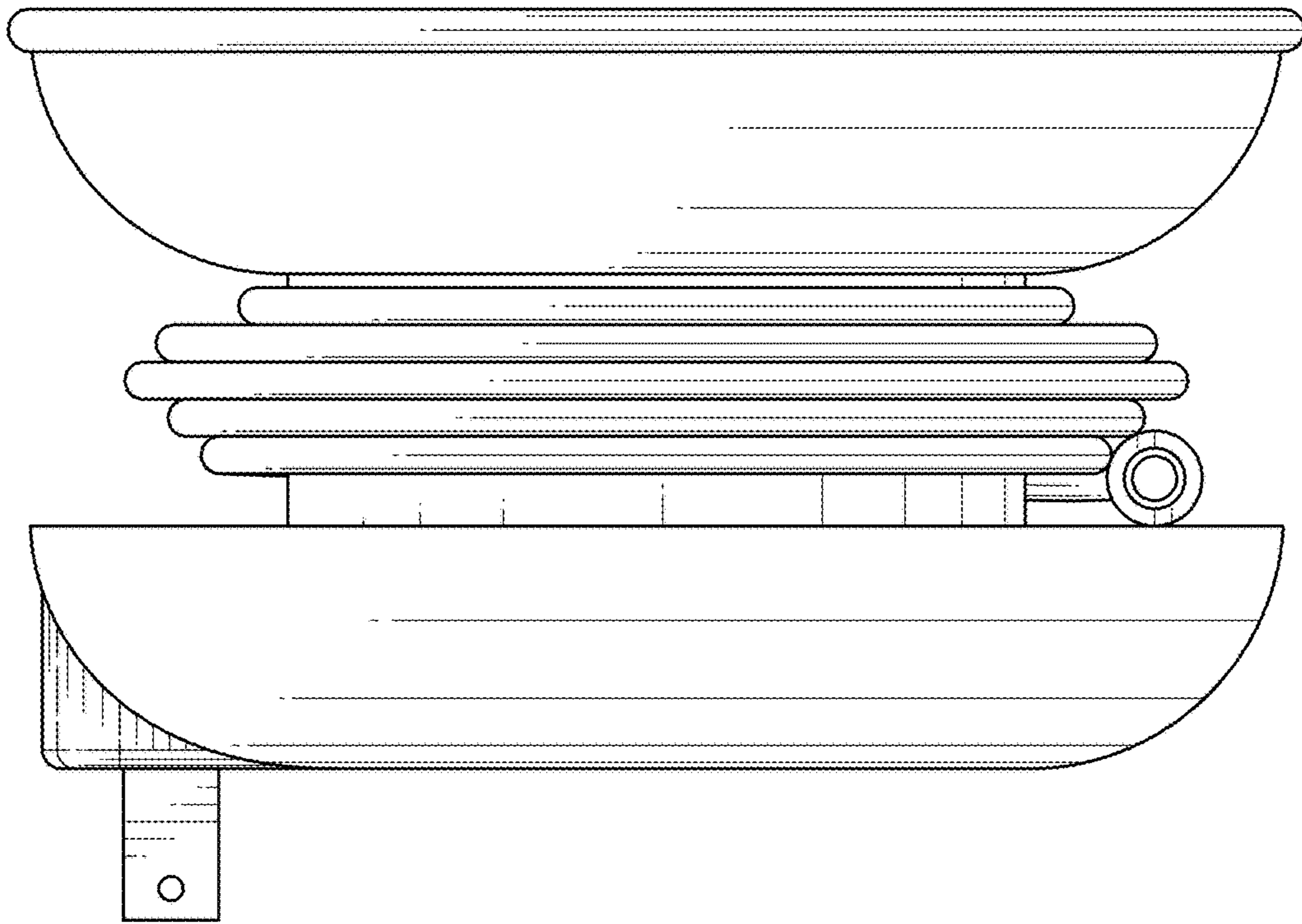


FIG. 11

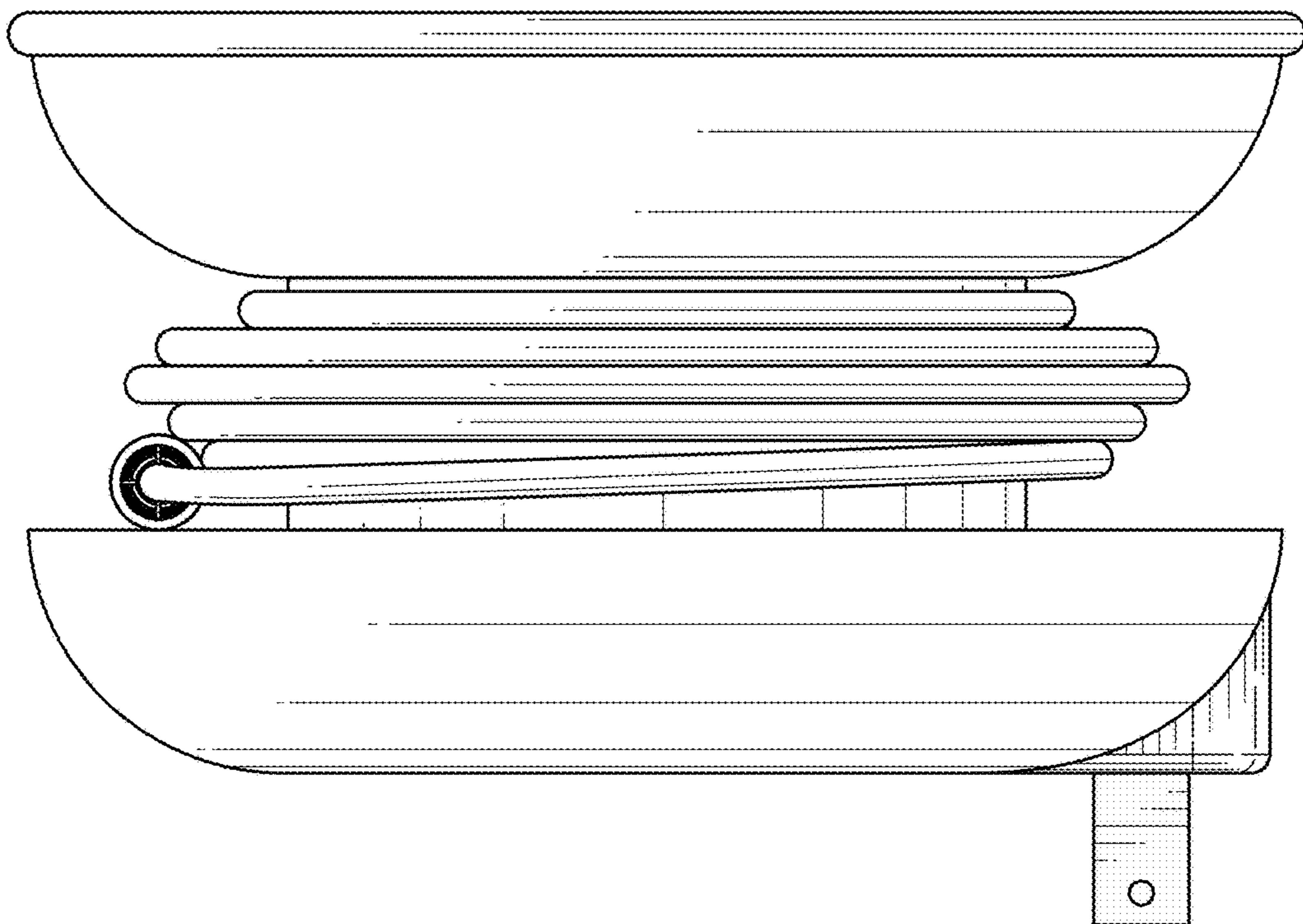


FIG. 12

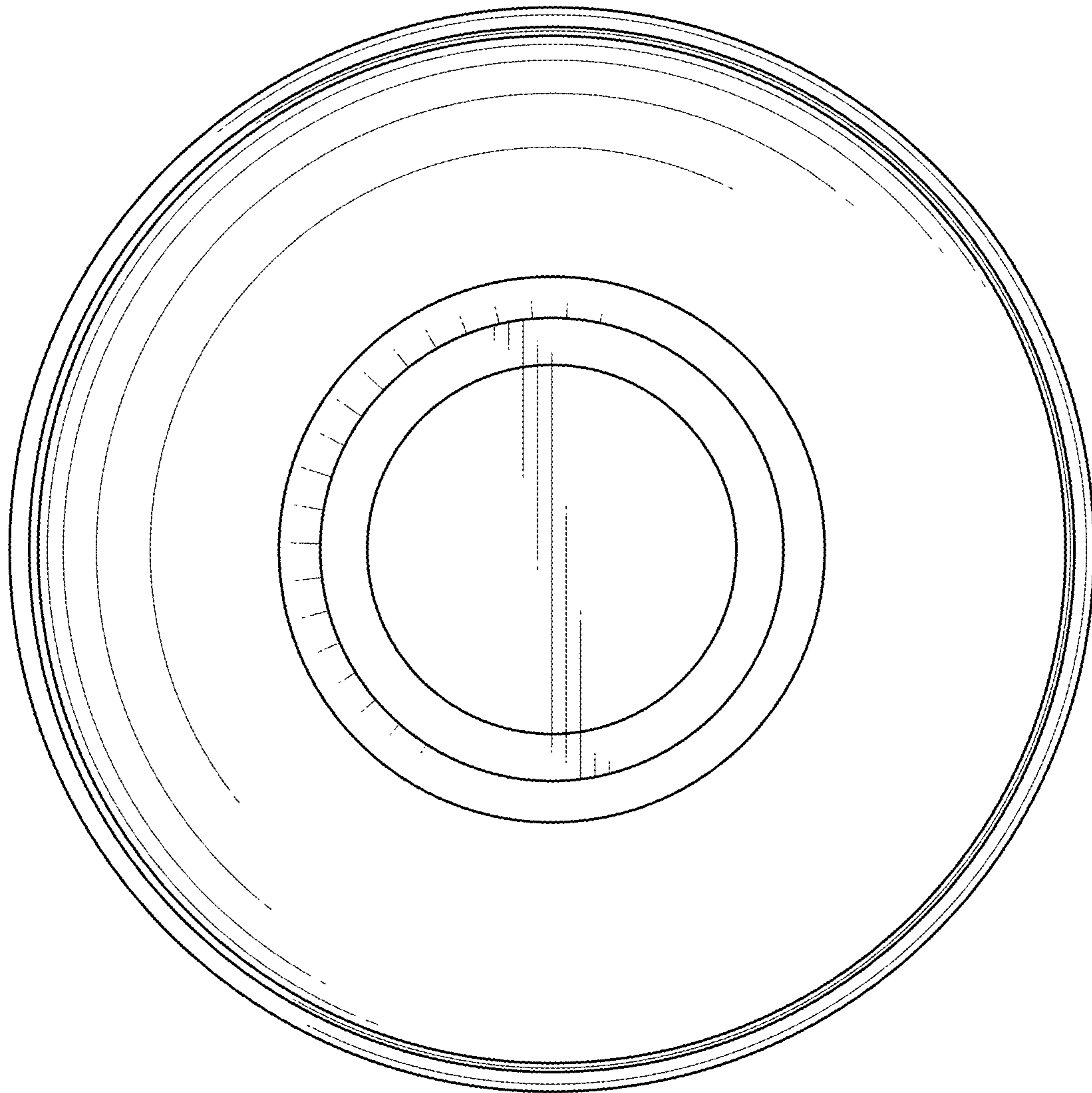


FIG. 13

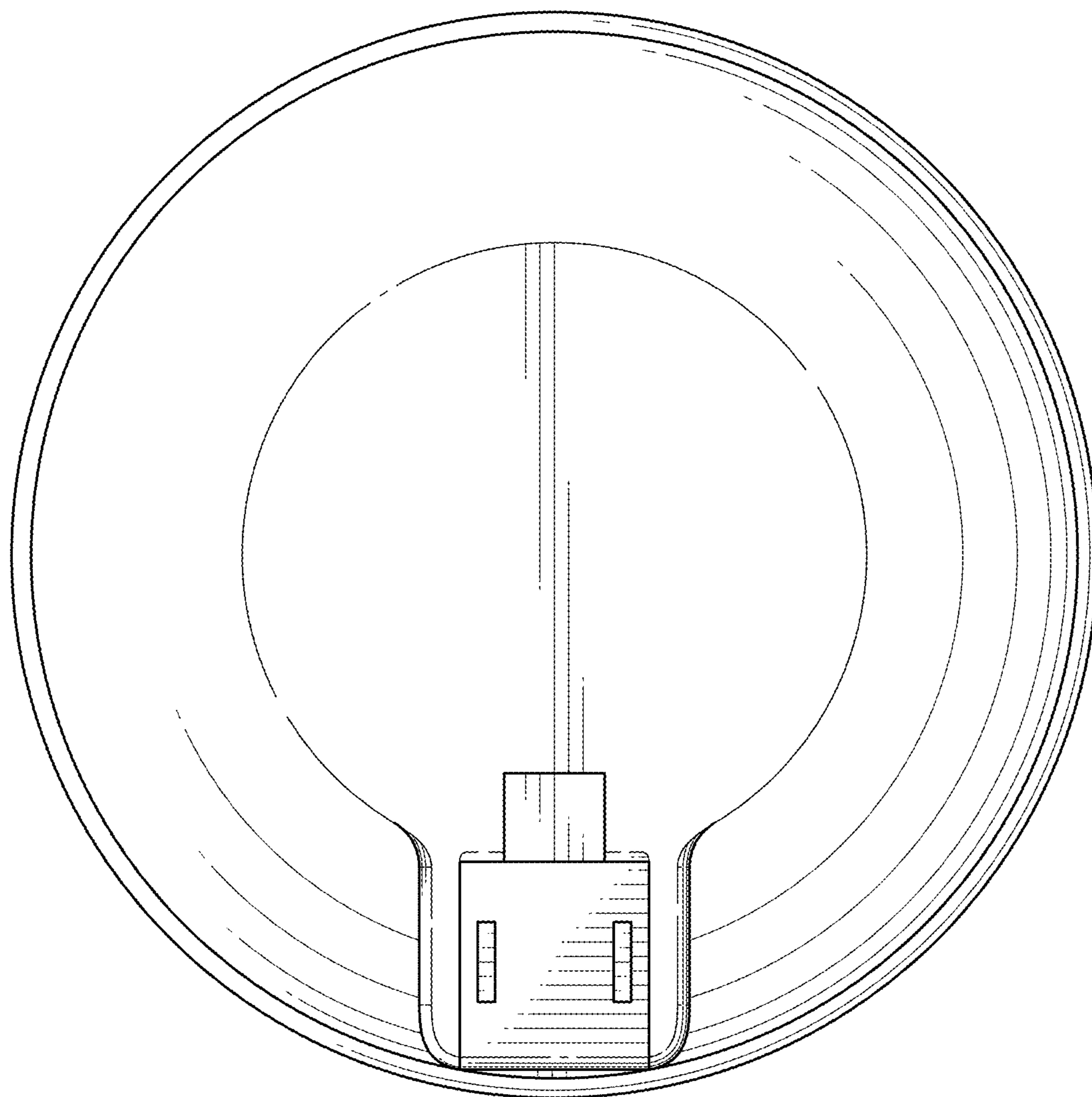


FIG. 14