



US00D786791S

(12) **United States Design Patent**
Jeong et al.

(10) **Patent No.:** **US D786,791 S**

(45) **Date of Patent:** **** May 16, 2017**

(54) **WIRELESS CHARGER FOR CELLULAR PHONE**

(71) Applicant: **LG INNOTEK CO., LTD.**, Seoul (KR)

(72) Inventors: **Ki Hyun Jeong**, Seoul (KR); **Jin Ho Kim**, Seoul (KR)

(73) Assignee: **LG INNOTEK CO., LTD.**, Seoul (KR)

(**) Term: **15 Years**

(21) Appl. No.: **29/564,324**

(22) Filed: **May 12, 2016**

(30) **Foreign Application Priority Data**

Nov. 27, 2015 (KR) 30-2015-0060136

(51) **LOC (10) Cl.** **13-02**

(52) **U.S. Cl.**
USPC **D13/108**

(58) **Field of Classification Search**
USPC D13/107-110, 118, 119, 184; D14/251, D14/253, 432, 434
CPC Y02E 60/12; Y02T 90/14; Y02T 90/122; Y02T 90/128; Y02T 90/163; H02J 7/025; H02J 7/0042; H02J 7/0044; H02J 7/0045; H02J 7/0003; H01F 38/14; H01R 13/6675; H01M 2/1022; H01M 2/1055; H01M 10/44; H01M 10/46; H01M 10/425; B60L 11/182
See application file for complete search history.

(56) **References Cited**

U.S. PATENT DOCUMENTS

D508,899 S * 8/2005 Suzuki D14/125
D520,519 S * 5/2006 Chin D14/203.3

D530,717 S * 10/2006 Mori D14/434
D604,729 S * 11/2009 Andre D14/314
D613,283 S * 4/2010 Andre D14/314
D621,397 S * 8/2010 Andre D14/314
D637,951 S * 5/2011 Perez D13/108
D650,377 S * 12/2011 Akana D14/314
D660,834 S * 5/2012 Akana D14/314
D663,643 S * 7/2012 Saikawa D10/108
D718,762 S * 12/2014 Aarrestad D14/149
D749,596 S * 2/2016 Khodapanah D14/447
D751,515 S * 3/2016 Paredes D13/168
D753,639 S * 4/2016 Marzynski D14/240
D756,990 S * 5/2016 Akana D14/314
D756,991 S * 5/2016 Day D14/314
D768,589 S * 10/2016 Shin D14/125
D771,039 S * 11/2016 Windstrup D14/356

* cited by examiner

Primary Examiner — Rosemary K Tarcza

Assistant Examiner — Alison Ofstun

(74) *Attorney, Agent, or Firm* — Ked & Associates LLP

(57) **CLAIM**

The ornamental design for a wireless charger for cellular phone, as shown and described.

DESCRIPTION

FIG. 1 is a perspective view of a wireless charger for cellular phone showing our new design;
FIG. 2 is a front view thereof;
FIG. 3 is a rear view thereof;
FIG. 4 is a first side view thereof, a second side view being symmetrical to the first side;
FIG. 5 is a top plan view thereof; and,
FIG. 6 is a bottom plan view thereof.

1 Claim, 3 Drawing Sheets

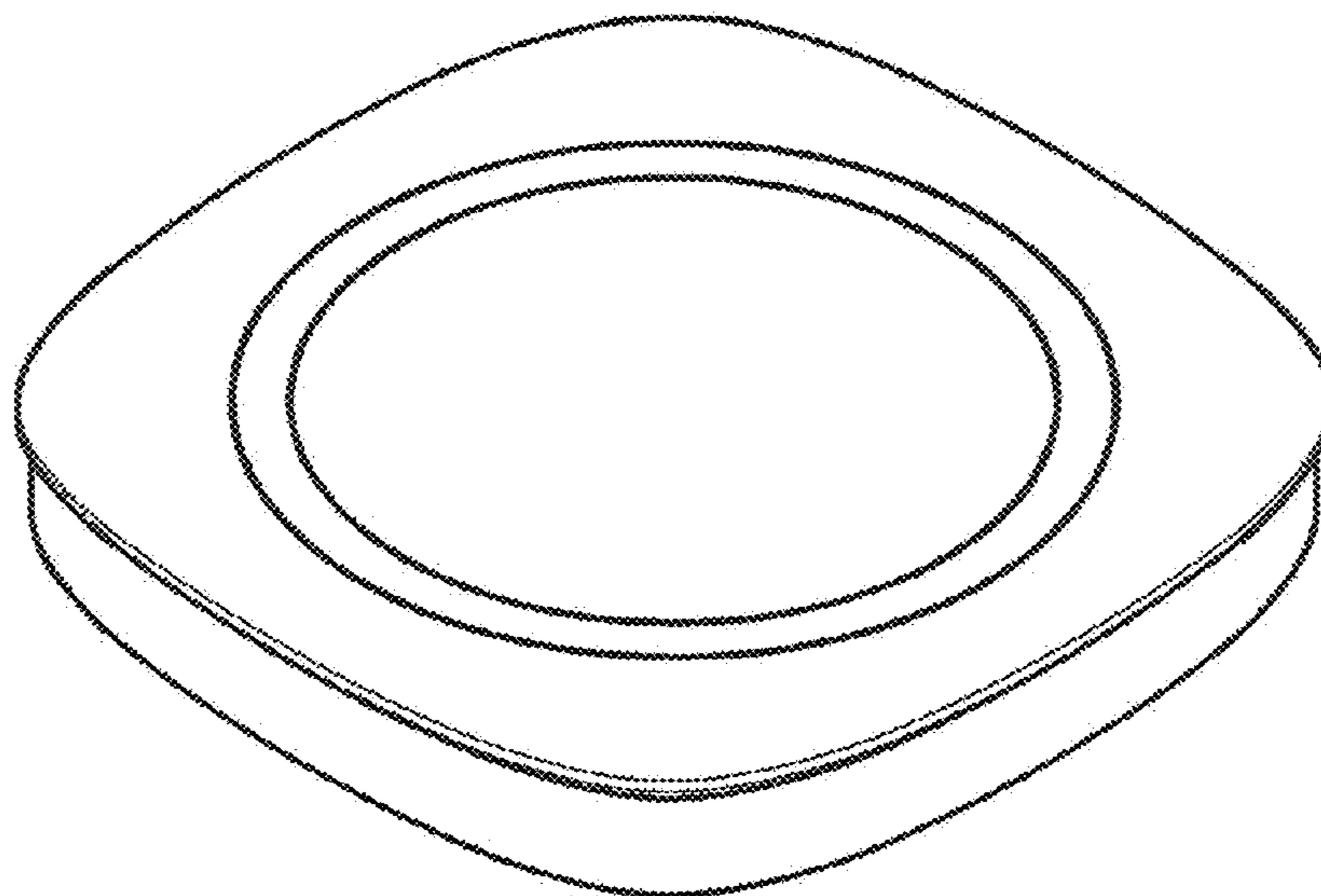


FIG. 1

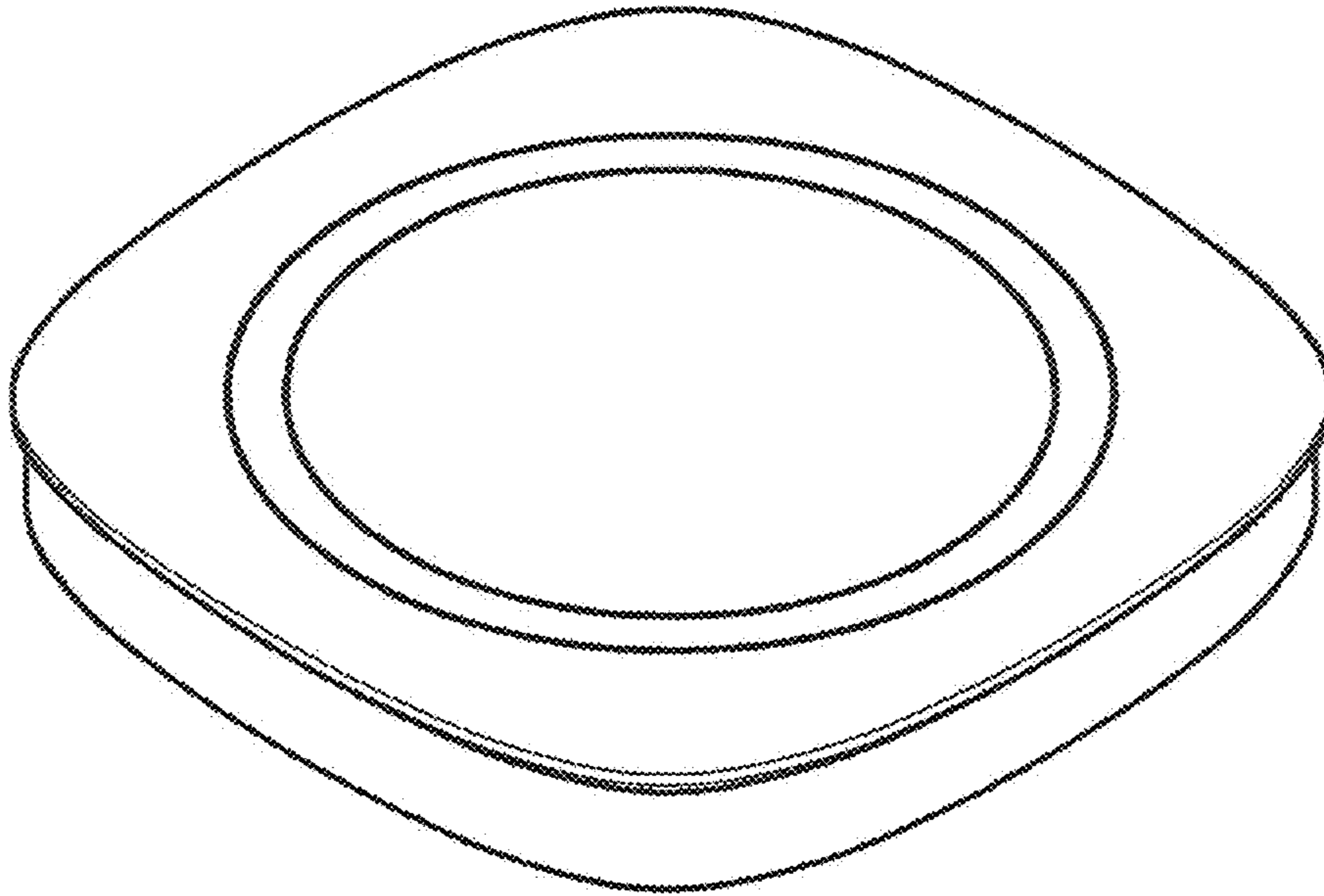


FIG. 2

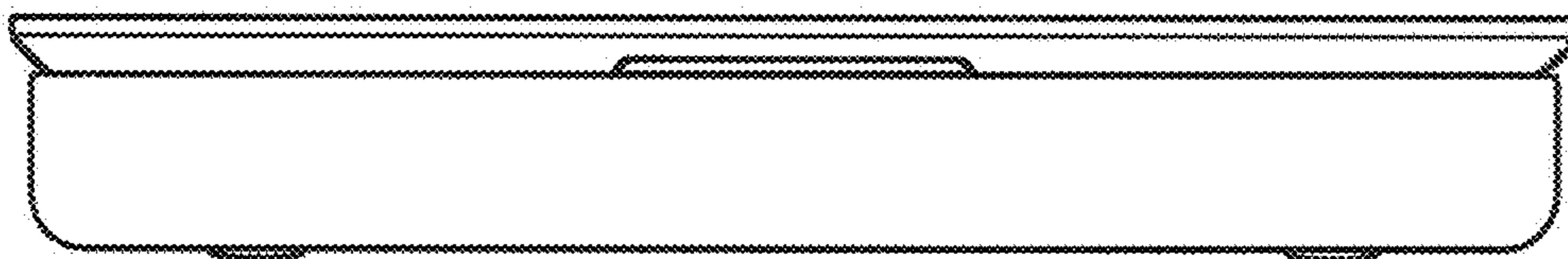


FIG. 3

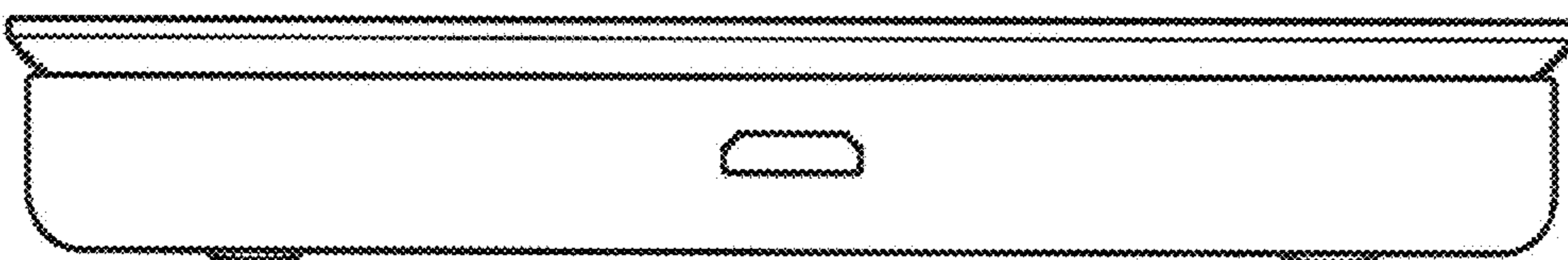


FIG. 4

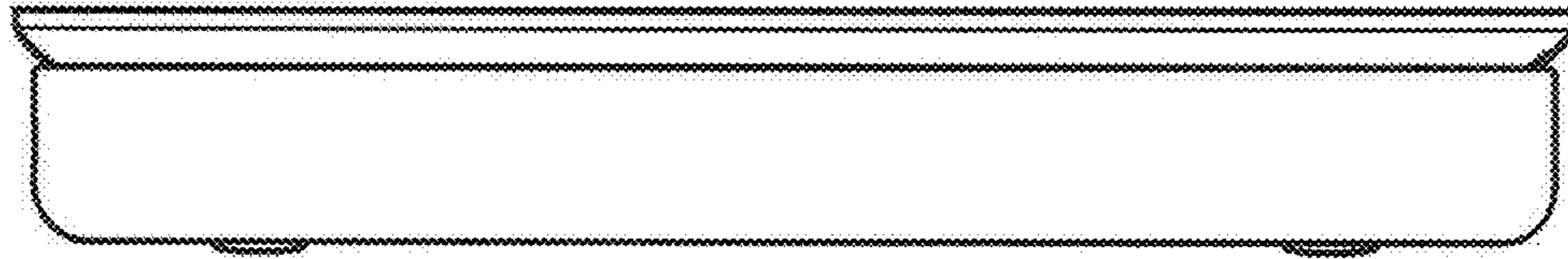


FIG. 5

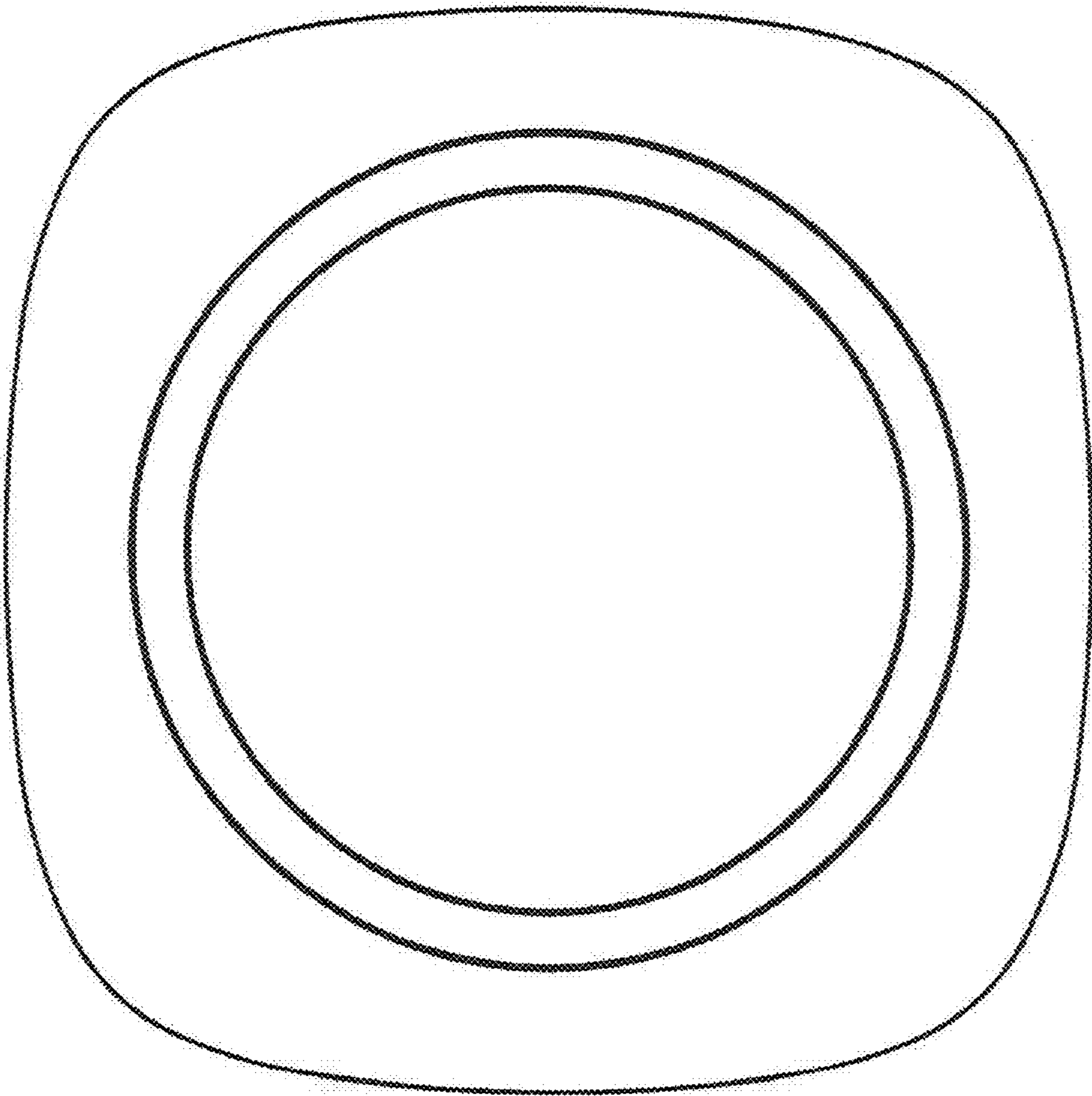


FIG. 6

