



US00D786790S

(12) **United States Design Patent** (10) **Patent No.:** **US D786,790 S**  
**Miller et al.** (45) **Date of Patent:** **\*\* May 16, 2017**

(54) **PORTABLE POWER CHARGER**

10/482; H01M 2200/30; H01M 2250/30;  
H01M 2250/40

(71) Applicant: **Halo2Cloud LLC**, Glastonbury, CT  
(US)

See application file for complete search history.

(72) Inventors: **Garold C. Miller**, Glastonbury, CT  
(US); **Nathan Daniel Weinstein**,  
Glastonbury, CT (US)

(56) **References Cited**

U.S. PATENT DOCUMENTS

(73) Assignee: **HALO INTERNATIONAL SEZC LTD**, Georgetown (KY)

5,901,056 A	5/1999	Hung	
D520,502 S	5/2006	Yu	
D568,312 S	5/2008	Wang	
D575,729 S	8/2008	Nomi	
D578,960 S *	10/2008	Fisher	D13/108
D587,267 S	2/2009	Wang	
D590,769 S *	4/2009	Tatehata	D13/103
D628,535 S	12/2010	Cheng	
D631,838 S *	2/2011	Cheng	D13/108
D641,362 S	7/2011	Dublin	
D643,807 S	8/2011	Jiang	
D650,738 S	12/2011	Leung	

(\*\*) Term: **15 Years**

(Continued)

(21) Appl. No.: **29/541,038**

(22) Filed: **Sep. 30, 2015**

*Primary Examiner* — Rosemary K Tarcza

(51) **LOC (10) Cl.** ..... **13-02**

*Assistant Examiner* — Alison Ofstun

(52) **U.S. Cl.**

(74) *Attorney, Agent, or Firm* — McCormick, Paulding & Huber LLP

USPC ..... **D13/108**

(58) **Field of Classification Search**

(57) **CLAIM**

USPC ..... D13/102–110, 118–119, 184, 199;  
D14/356, 320, 103, 111–115, 135, 138,  
D14/140; D15/9

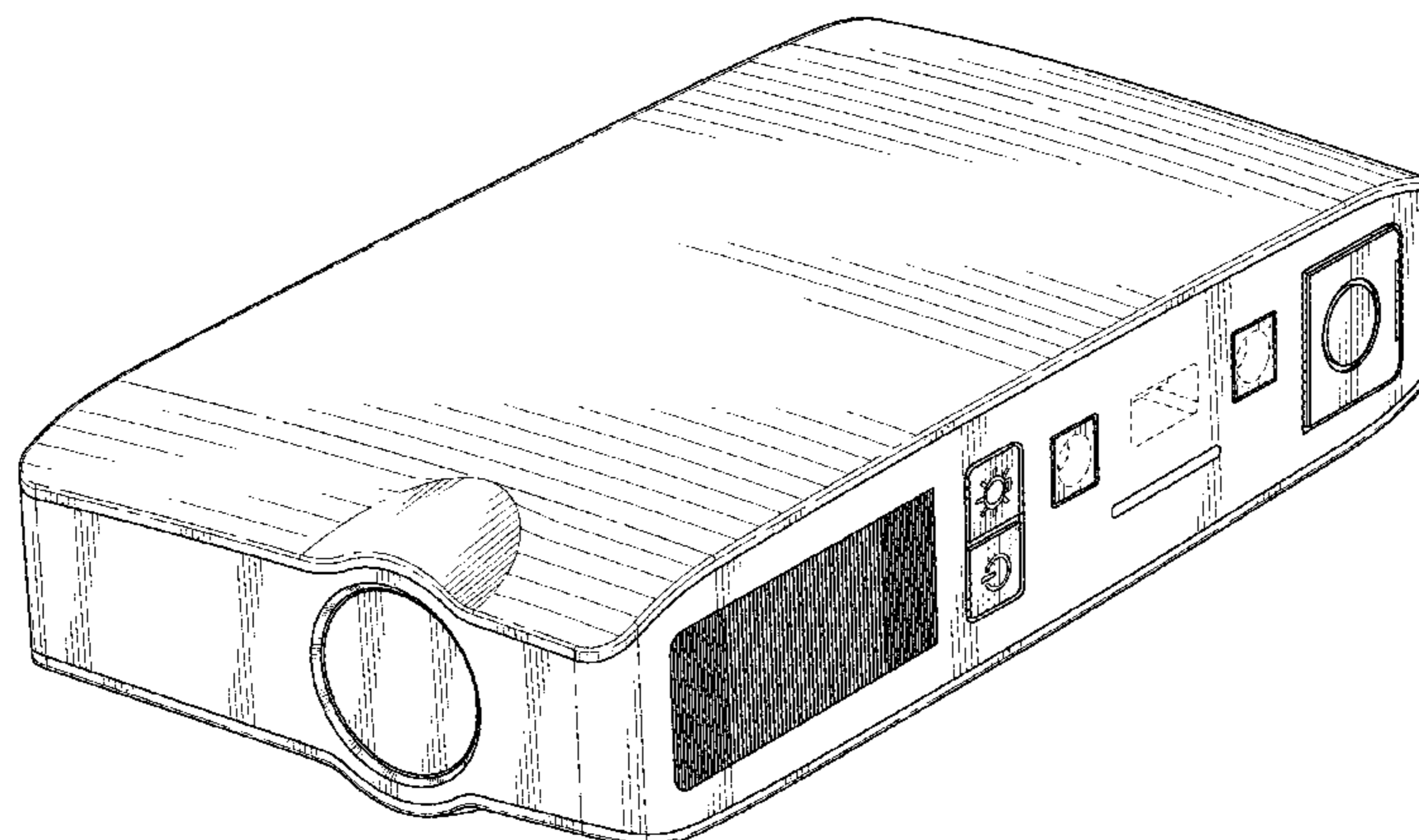
The ornamental design for a portable power charger, substantially as shown and described.

CPC ..... Y02T 10/7005; Y02T 10/705; Y02T  
10/7088; H02J 7/0054; H02J 7/1423;  
H02J 2001/006; H02J 7/00; H02J 7/0003;  
H02J 7/0011; H02J 7/0013; H02J 7/0055;  
H02J 7/0057; H02J 2007/0062; Y02E  
60/10; Y02E 60/12; Y02E 60/122; Y02E  
60/124; Y02E 60/50; H01M 2/02; H01M  
2/022; H01M 2/0202; H01M 2/0207;  
H01M 2/0212; H01M 2/1061; H01M  
2/1022; H01M 2/1055; H01M 2/1066;  
H01M 2/105; H01M 2/20; H01M 2/202;  
H01M 2/204; H01M 2/206; H01M 10/44;  
H01M 10/46; H01M 10/465; H01M

**DESCRIPTION**

FIG. 1 is a front, top perspective view of a portable power charger comprising an embodiment of a new, original and ornamental design;  
FIG. 2 is a front perspective view thereof, shown in an alternate configuration of use;  
FIG. 3 is a front view thereof;  
FIG. 4 is a front view thereof, shown in an alternate configuration of use;  
FIG. 5 is a back view thereof;  
FIG. 6 is a left-hand side view thereof;  
FIG. 7 is a right-hand side view thereof;  
FIG. 8 is a top view thereof; and,  
FIG. 9 is a bottom view thereof.

(Continued)



The broken line portions of the figure drawings are included to show unclaimed subject matter only and form no part of the claimed design.

**1 Claim, 5 Drawing Sheets**

(56)

**References Cited**

U.S. PATENT DOCUMENTS

D661,249 S	6/2012	Smith	
D662,878 S	7/2012	Fahrendorff	
D665,732 S	8/2012	Saito	
D667,788 S	9/2012	Mai	
D676,380 S	2/2013	Sun	
D682,197 S	5/2013	Leung	
D682,777 S	5/2013	Gupta	
D686,150 S	7/2013	Lee	
D686,153 S	7/2013	Qu	
D688,200 S *	8/2013	Shin .....	D13/107
D695,214 S	12/2013	Roberts	
D700,139 S	2/2014	Chan	
D708,129 S	7/2014	Houghton	
D708,571 S	7/2014	Ji	
D714,214 S *	9/2014	Wikel .....	D13/107

D719,506 S	12/2014	Jung	
D721,646 S	1/2015	Kim	
D722,018 S	2/2015	Wang	
D724,080 S	3/2015	Lin	
D730,280 S *	5/2015	Koebler .....	D13/107
D733,043 S	6/2015	Hasbrook	
D735,158 S *	7/2015	Zhu .....	D14/137
D735,403 S *	7/2015	Che .....	D13/110
D739,347 S	9/2015	Huang	
9,153,985 B1 *	10/2015	Gjovik .....	H02J 7/0042
D743,333 S	11/2015	Nomi	
D743,889 S	11/2015	Lyles	
D748,055 S	1/2016	Lee	
D751,984 S	3/2016	Lin	
D769,188 S *	10/2016	Miller .....	D13/107
D770,976 S *	11/2016	Xu .....	D13/110
D773,431 S *	12/2016	Holzer .....	D14/170
2015/0054336 A1 *	2/2015	Xinfang .....	B60R 16/033 307/9.1
2016/0072329 A1 *	3/2016	Miller .....	H02J 7/0031 320/104
2016/0111692 A1 *	4/2016	Morita .....	H01M 2/1061 429/7
2016/0218336 A1 *	7/2016	Herrmann .....	H01M 2/1252
2016/0308379 A1 *	10/2016	Pan .....	F02N 11/00
2016/0359352 A1 *	12/2016	Chiu .....	H02J 7/0047

\* cited by examiner

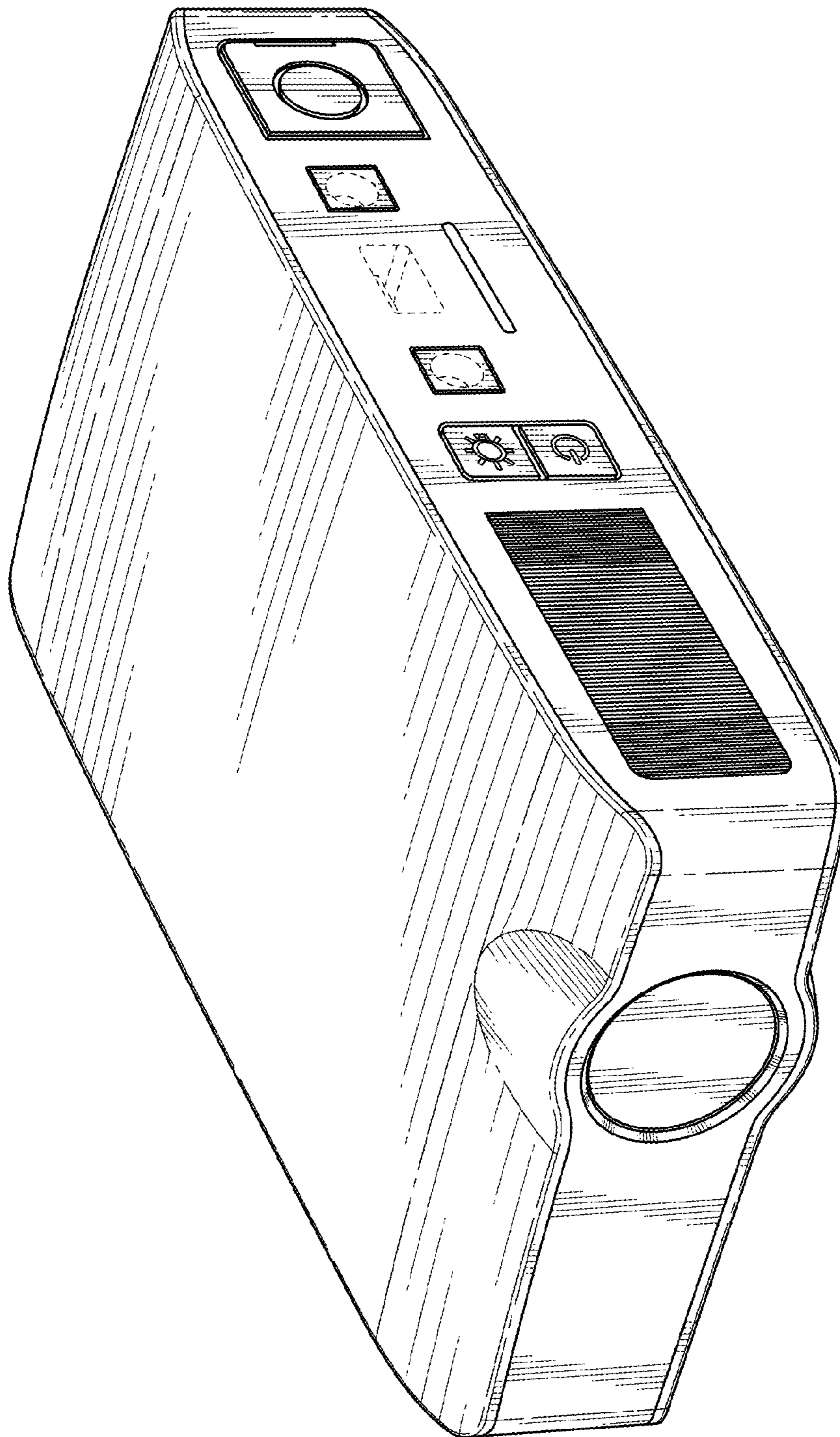


FIG. 1

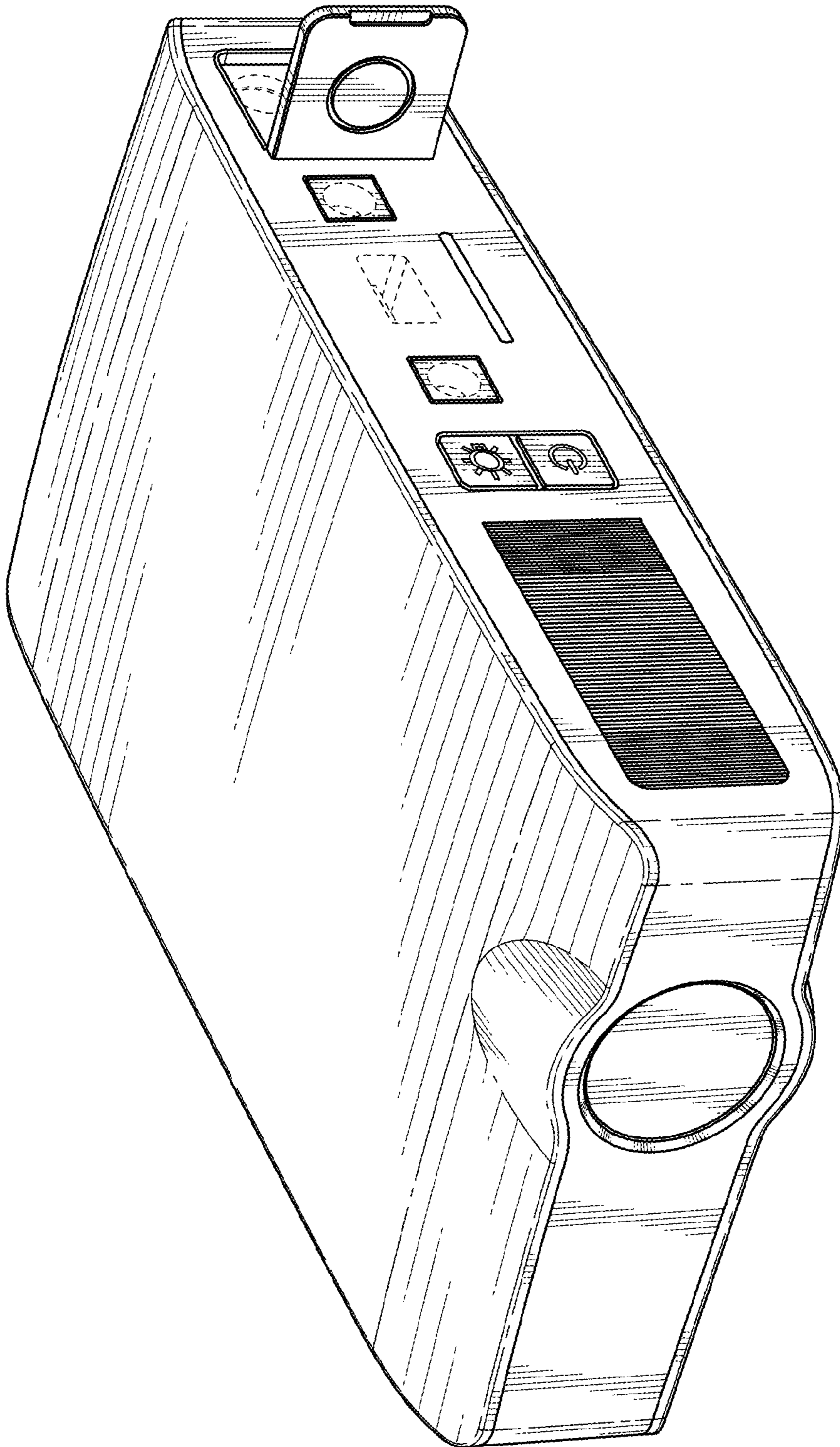


FIG. 2

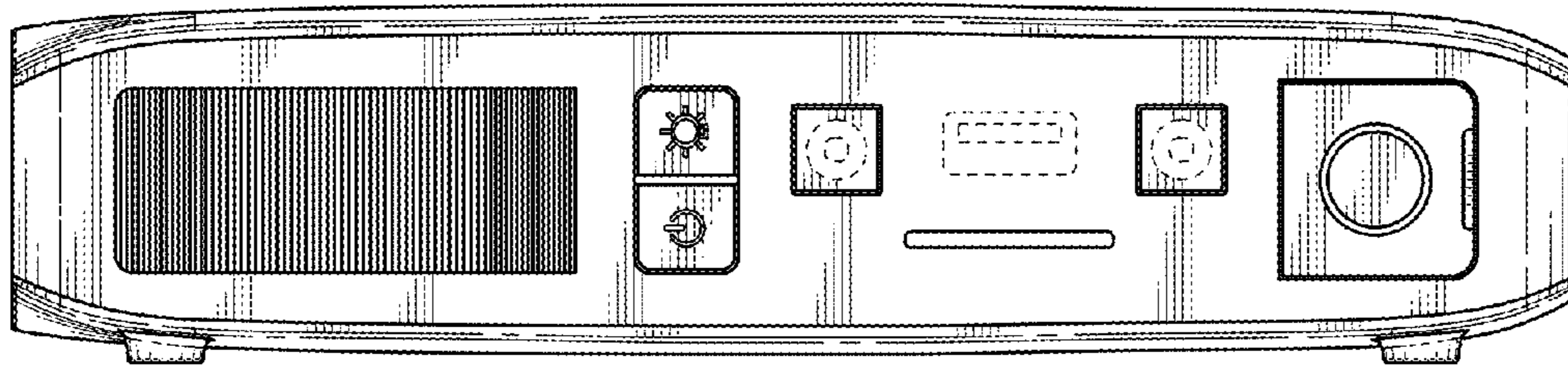


FIG. 3

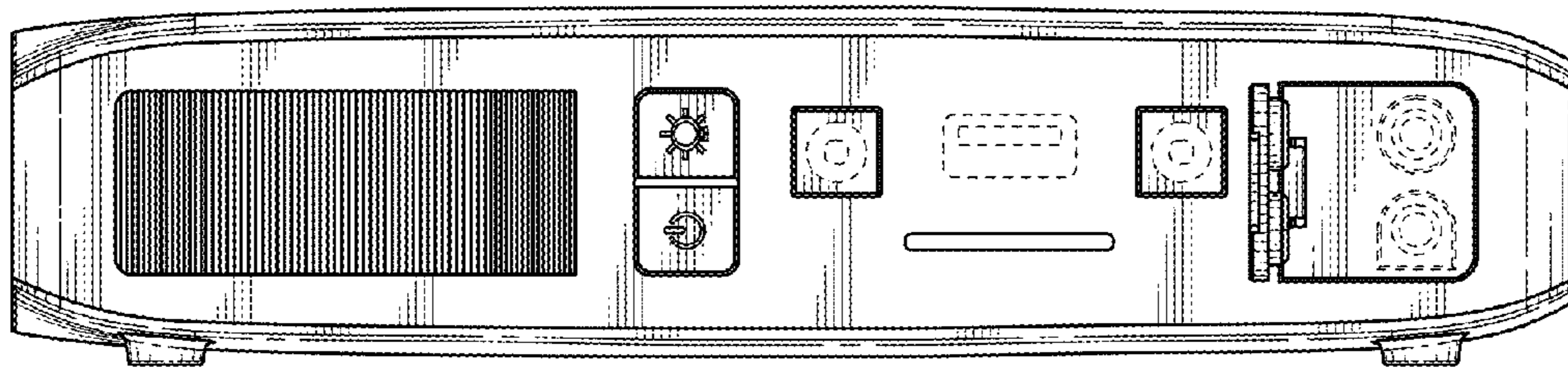


FIG. 4

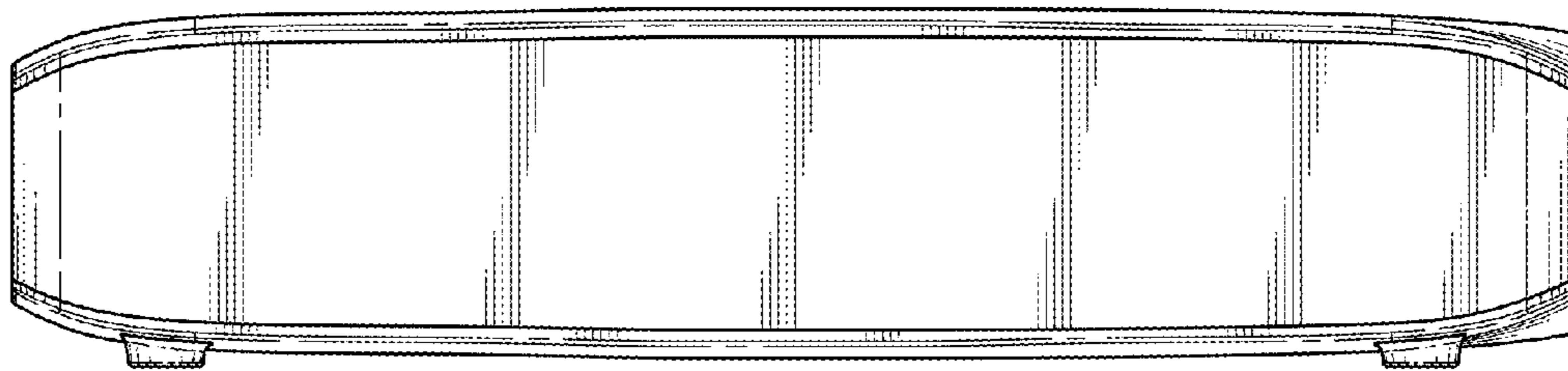


FIG. 5

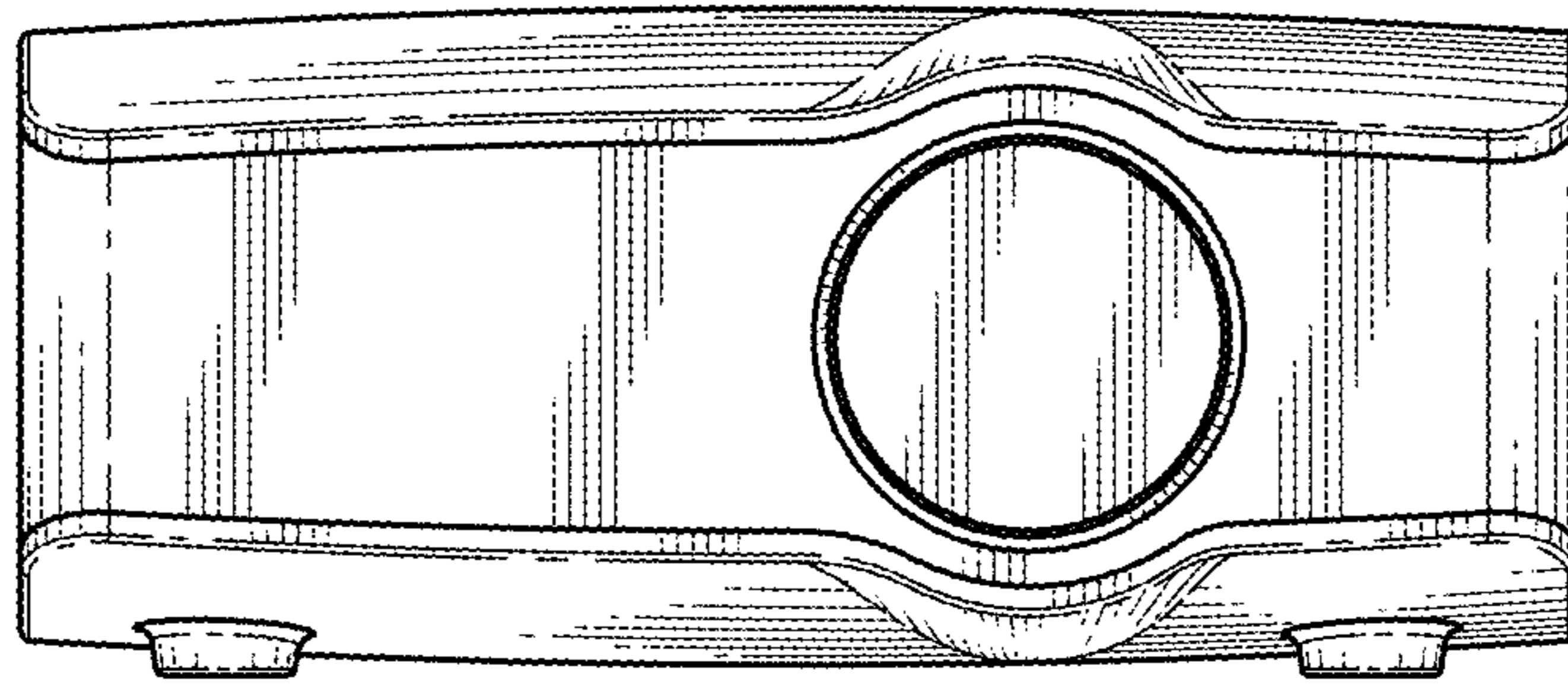


FIG. 6

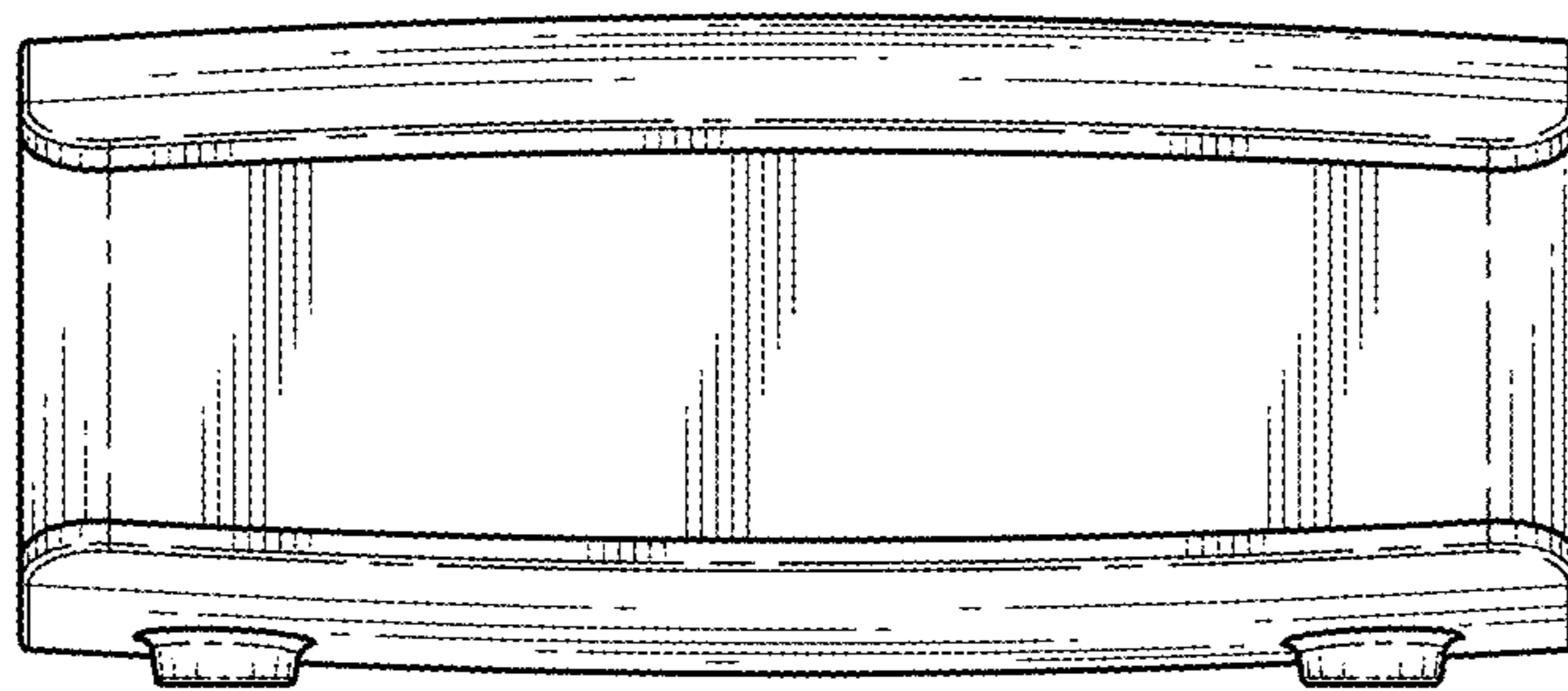


FIG. 7

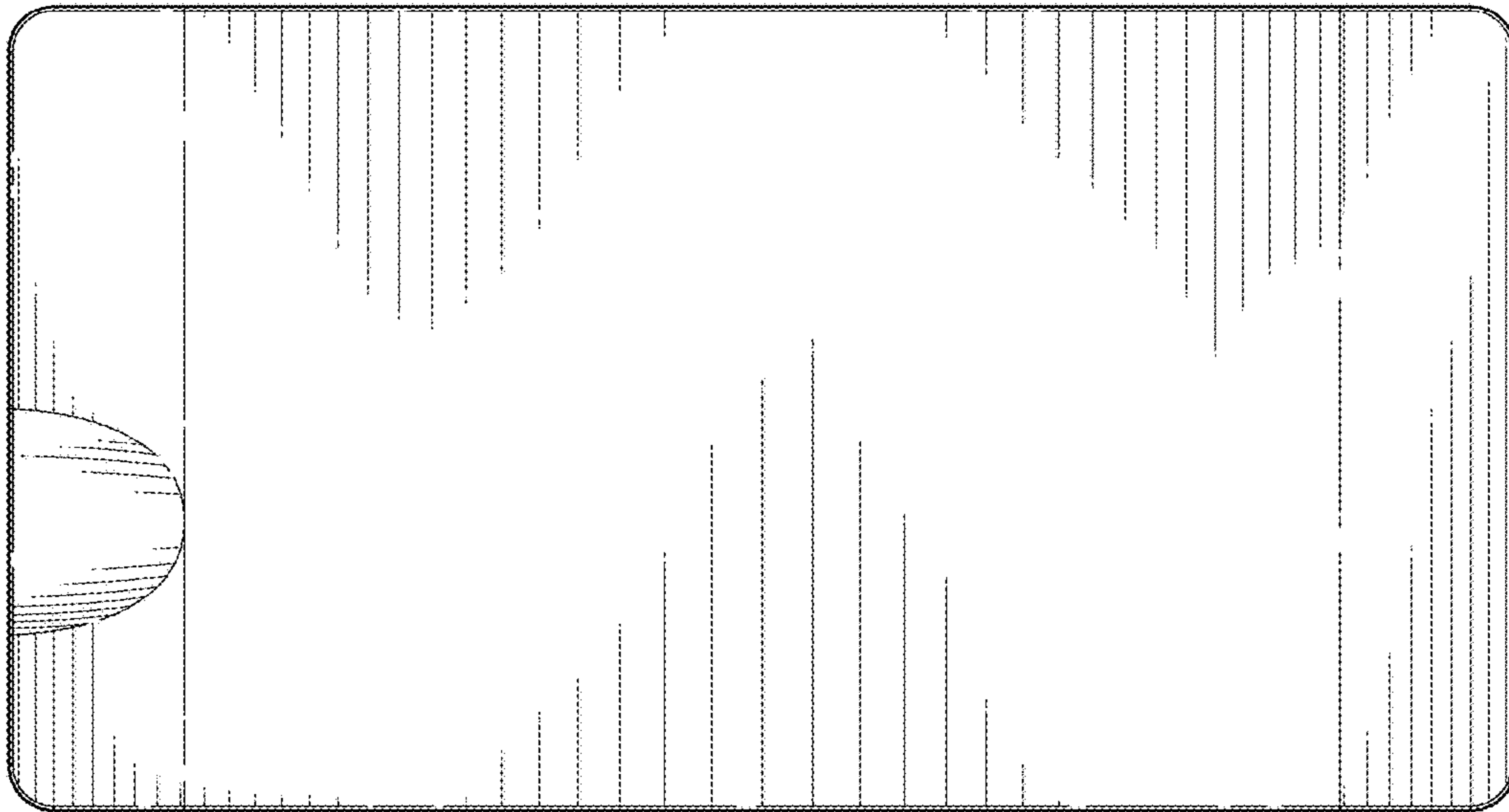


FIG. 8

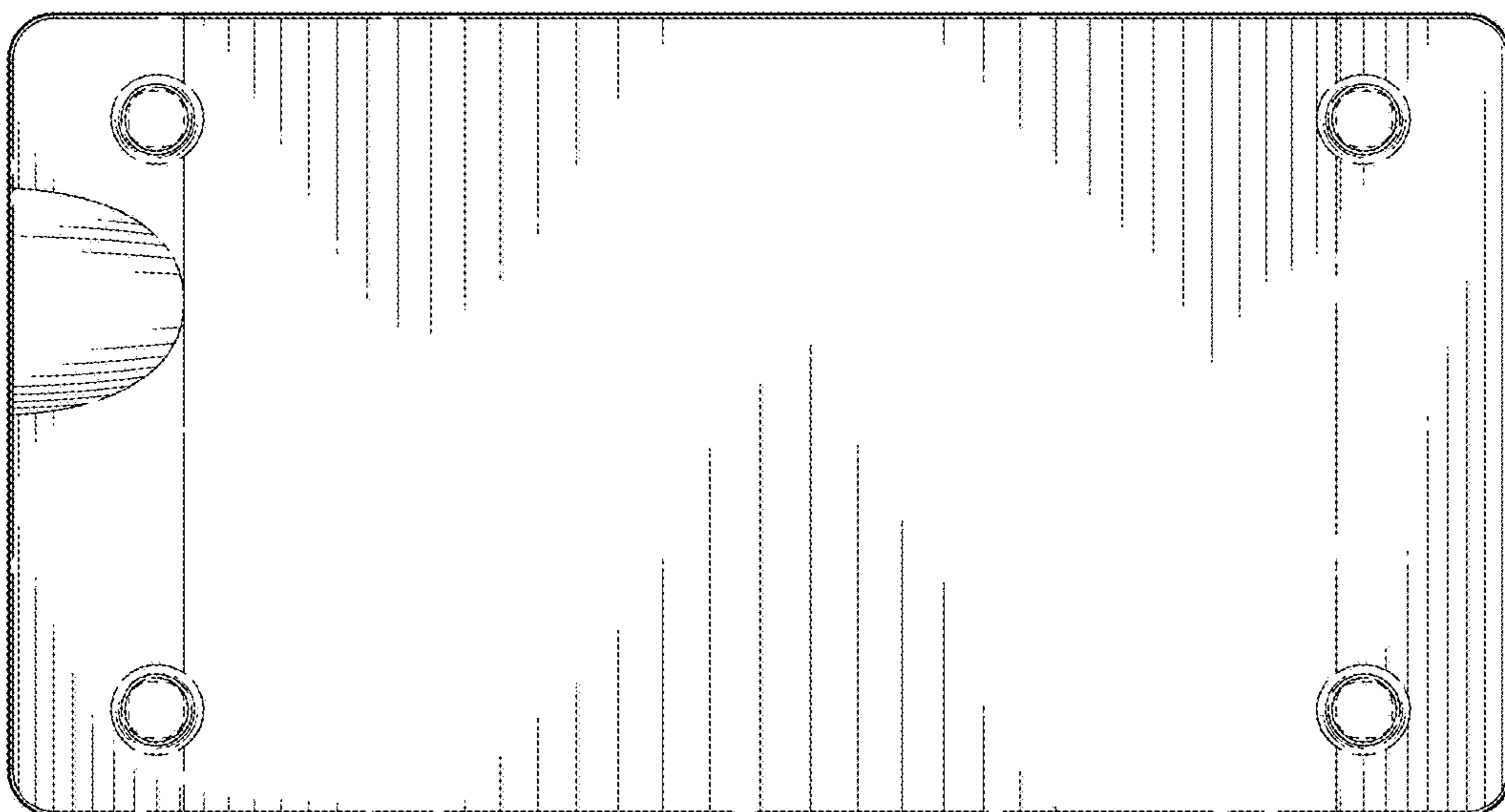


FIG. 9