



US00D786789S

(12) **United States Design Patent**
Jordan et al.

(10) **Patent No.:** **US D786,789 S**
(45) **Date of Patent:** **** May 16, 2017**

(54) **CHARGER FOR AN ELECTRONIC VAPING DEVICE**

2,650,570 A 9/1953 Voelcker
D204,735 S 5/1966 Rogers
D205,754 S 9/1966 Hall

(Continued)

(71) Applicants: **Geoffrey B. Jordan**, Midlothian, VA (US); **Sean Sundberg**, Richmond, VA (US); **Eric Hawes**, Richmond, VA (US); **Berina Yerkic-Husejnovic**, Richmond, VA (US)

FOREIGN PATENT DOCUMENTS

CN 203262285 11/2013

(72) Inventors: **Geoffrey B. Jordan**, Midlothian, VA (US); **Sean Sundberg**, Richmond, VA (US); **Eric Hawes**, Richmond, VA (US); **Berina Yerkic-Husejnovic**, Richmond, VA (US)

OTHER PUBLICATIONS

<<http://kelvin.en.made-in-china.com/productimage/FqhEJNdCeOVw-2f1j00KeBtCALqEjYE/China-High-Quality-Triangular-Trimark-E-Cigarette.html>>, copyright 2015, Focus Technology Co., Ltd.

(73) Assignee: **ALTRIA CLIENT SERVICES LLC**, Richmond, VA (US)

Primary Examiner — Rosemary K Tarcza

Assistant Examiner — Nathaniel D Buckner

(**) Term: **15 Years**

(74) *Attorney, Agent, or Firm* — Harness, Dickey & Pierce, P.L.C.

(21) Appl. No.: **29/531,420**

(57) **CLAIM**

(22) Filed: **Jun. 25, 2015**

The ornamental design for a charger for an electronic vaping device, as shown and described.

(51) **LOC (10) Cl.** **13-02**

(52) **U.S. Cl.**
USPC **D13/108; D27/194**

DESCRIPTION

(58) **Field of Classification Search**
USPC D13/107–110, 118–119, 184; D14/251, D14/253, 432, 434; D27/194
CPC Y02E 60/12; Y02T 90/14; Y02T 90/122; Y02T 90/128; Y02T 90/163; H02J 7/025; H02J 7/0042; H02J 7/0044; H02J 7/0045; H02J 7/0003; H01F 38/14; H01R 13/6675; H01M 2/1022; H01M 2/1055; H01M 10/44; H01M 10/46; H01M 10/425; B60L 11/182
See application file for complete search history.

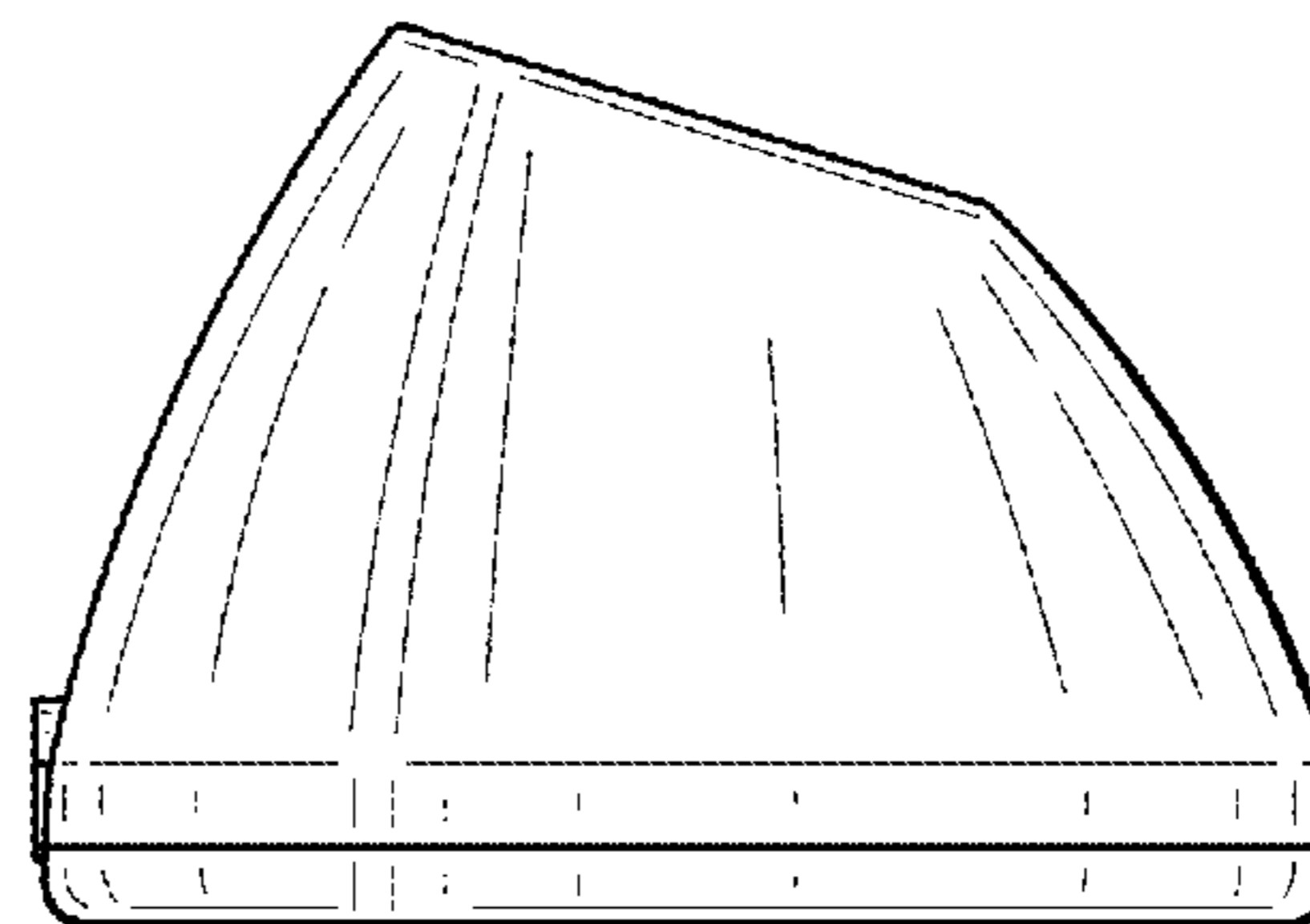
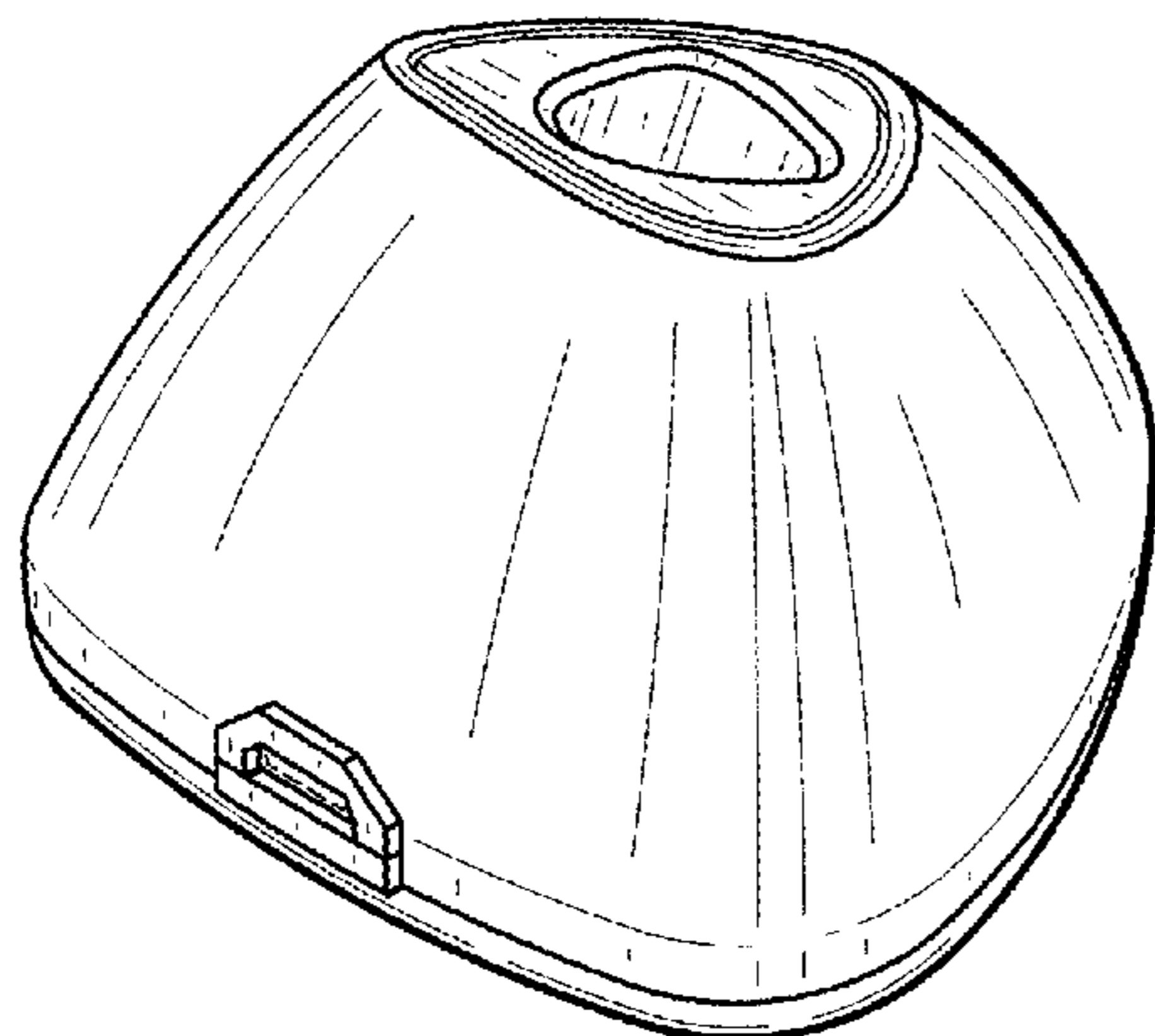
FIG. 1 is a rear perspective view of the charger for an electronic vaping device;
FIG. 2 is a rear view of the charger for an electronic vaping device;
FIG. 3 is a front view of the charger for an electronic vaping device;
FIG. 4 is a left side view of the charger for an electronic vaping device;
FIG. 5 is a right side view of the charger for an electronic vaping device;
FIG. 6 is a top view of the charger for an electronic vaping device;
FIG. 7 is a bottom view of the charger for an electronic vaping device; and,
FIG. 8 is a front perspective view of the charger for an electronic vaping device.

(Continued)

(56) **References Cited**

U.S. PATENT DOCUMENTS

D142,842 S 11/1945 Daze
D148,256 S 12/1947 Sovereign



The broken lines in the figures represent portions of the article which form no part of the claimed design.

1 Claim, 5 Drawing Sheets

(56)

References Cited

U.S. PATENT DOCUMENTS

D210,732	S	4/1968	Anderson	
D212,208	S	9/1968	Rogers	
3,587,573	A	6/1971	Flack	
D229,725	S	12/1973	Berger	
D229,788	S	1/1974	Berger	
D229,789	S	1/1974	Berger	
D229,790	S	1/1974	Berger	
D231,407	S	4/1974	Leedy	
D267,121	S	11/1982	Min	
D291,126	S	7/1987	Gaptjern	
D368,892	S *	4/1996	Tanaka	D13/108
D405,220	S	2/1999	Dal Monte	
D409,563	S	5/1999	Haase et al.	
D432,689	S	10/2000	Yuen	
D436,998	S	1/2001	Brouwer et al.	
D457,567	S	5/2002	Christianson	
D459,299	S *	6/2002	Hughes	D13/108
D460,971	S	7/2002	Sica et al.	
D478,884	S *	8/2003	Slipy	D13/108
D485,925	S *	1/2004	Oas	D26/38
D489,679	S	5/2004	Wong	
D497,605	S *	10/2004	Esslinger	D14/147
D520,446	S	5/2006	Liu et al.	
D521,927	S *	5/2006	Franck	D13/108
D524,730	S *	7/2006	Vu	D13/108

D525,583	S *	7/2006	Vu	D13/108
D533,134	S	12/2006	Aglassinger	
D534,682	S	1/2007	Malhi	
D539,732	S	4/2007	Aglassinger	
D548,880	S	8/2007	Leeds et al.	
D555,085	S	11/2007	Kim	
D563,314	S	3/2008	Kingston et al.	
D566,697	S *	4/2008	Nielsen	D14/224
D576,547	S *	9/2008	Kling	D13/108
D578,061	S *	10/2008	Kristensen	D13/110
D585,369	S *	1/2009	Castellucci	D13/108
D621,347	S	8/2010	Aulwes et al.	
D662,469	S	6/2012	Mulder et al.	
D692,613	S	10/2013	Morreale	
D724,262	S	3/2015	Hearn et al.	
D724,781	S	3/2015	Hearn et al.	
D725,821	S	3/2015	Levin et al.	
D728,154	S	4/2015	Lavanchy et al.	
D729,439	S	5/2015	Scatterday	
D730,571	S	5/2015	Chen	
D742,021	S	10/2015	Labuschagne et al.	
D749,509	S	2/2016	Blau	
D774,248	S *	12/2016	Jordan	D27/194
2009/0283103	A1	11/2009	Nielsen et al.	
2013/0140200	A1	6/2013	Scatterday	
2013/0169230	A1	7/2013	Li et al.	
2013/0300350	A1	11/2013	Xiang	
2013/0327345	A1	12/2013	Clarke	
2014/0014124	A1	1/2014	Glasberg et al.	
2014/0053857	A1	2/2014	Liu	
2014/0224267	A1	8/2014	Levitz et al.	
2015/0020831	A1	1/2015	Weigensberg et al.	
2015/0027472	A1	1/2015	Amir et al.	
2015/0090278	A1	4/2015	Schiff et al.	
2015/0245657	A1	9/2015	Memari et al.	

* cited by examiner

FIG. 1

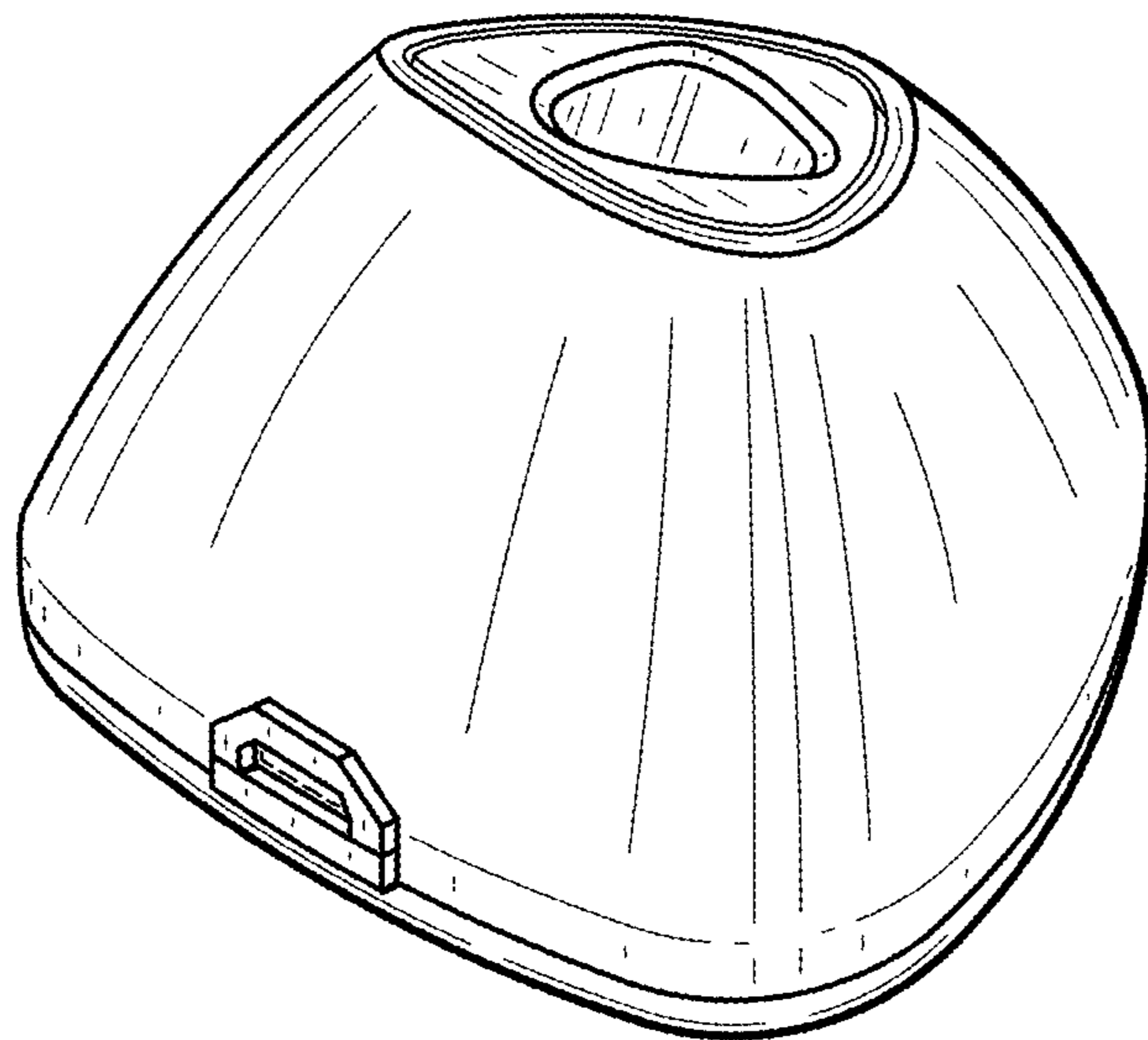


FIG. 2

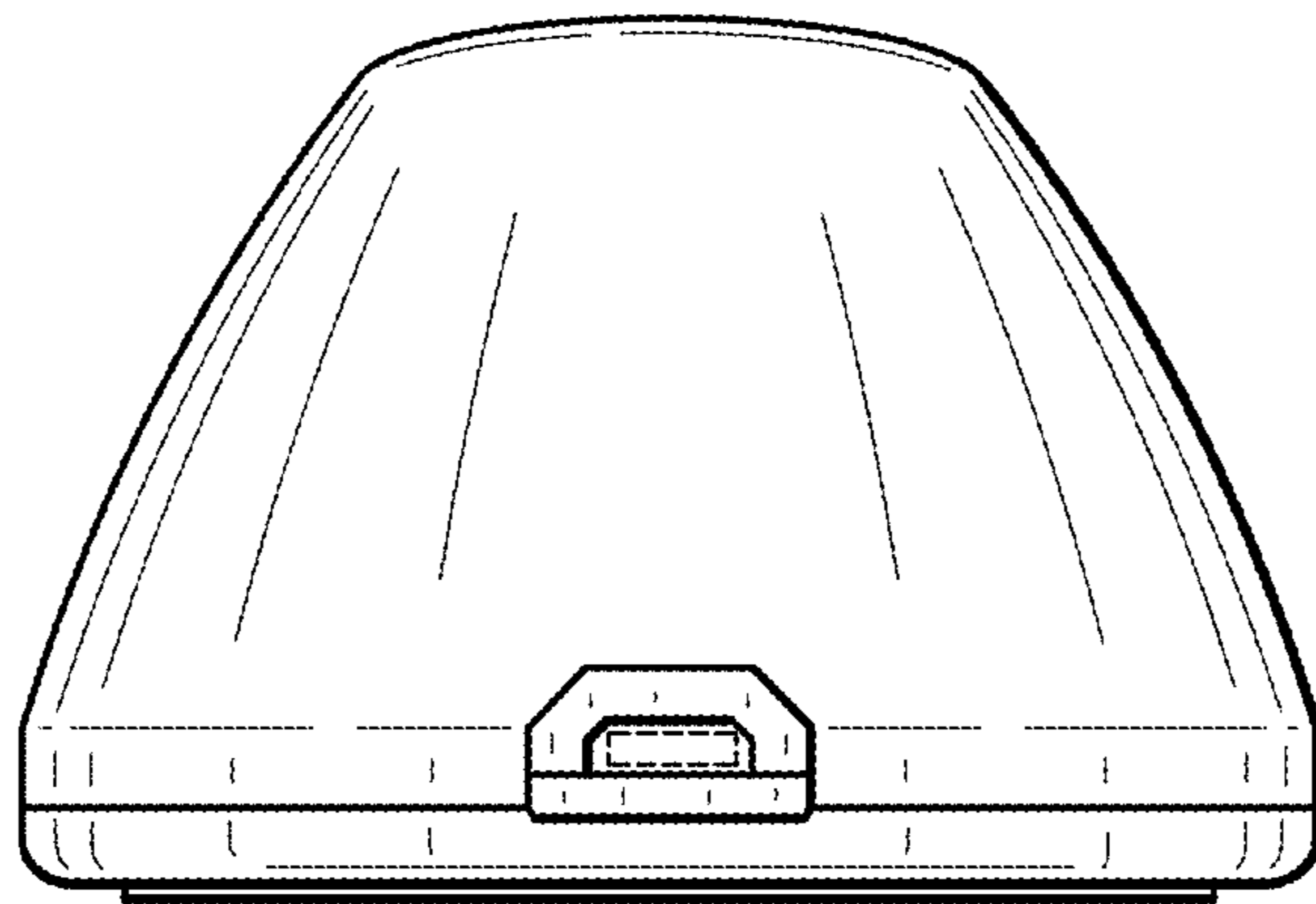


FIG. 3

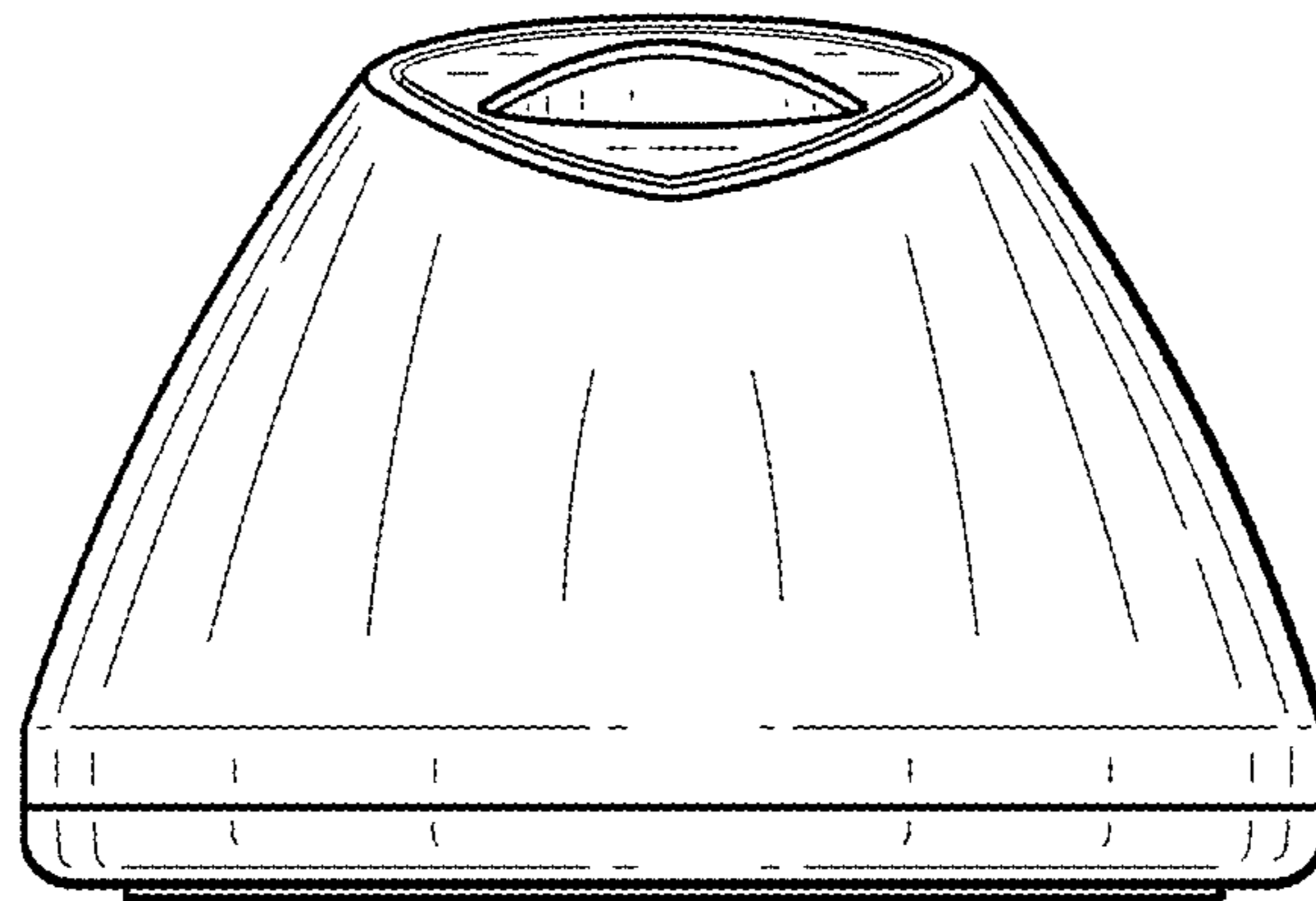


FIG. 4

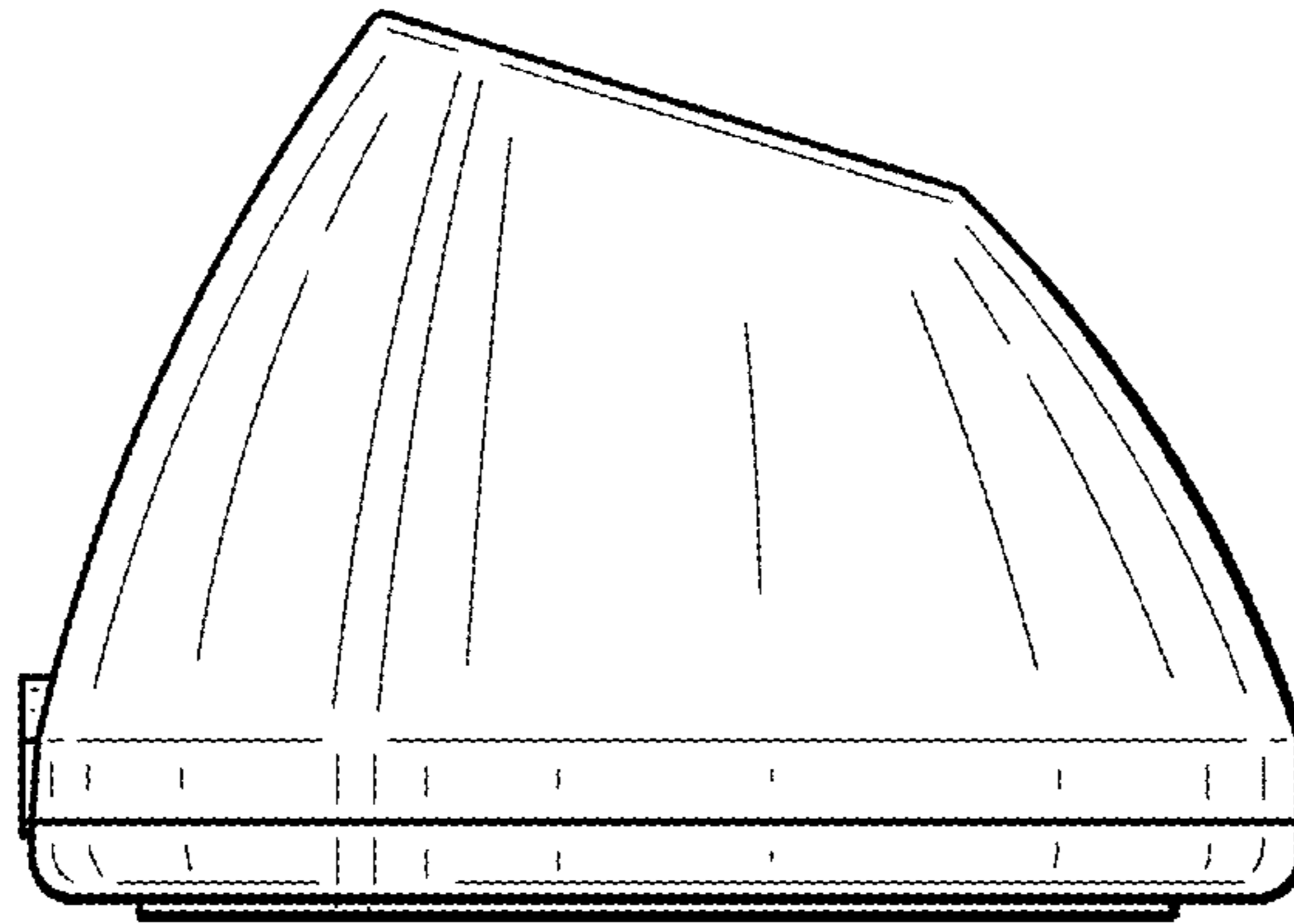


FIG. 5

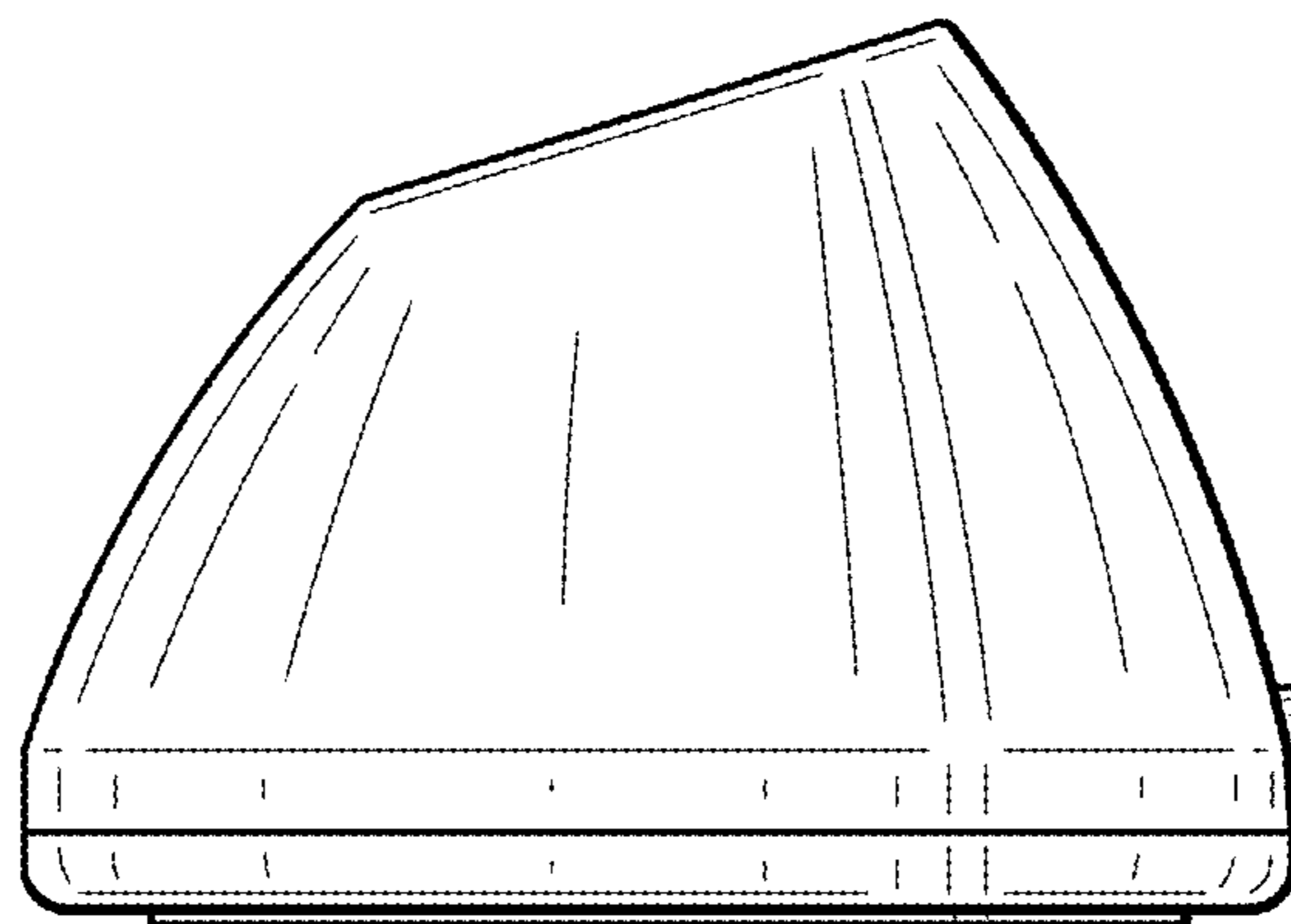


FIG. 6

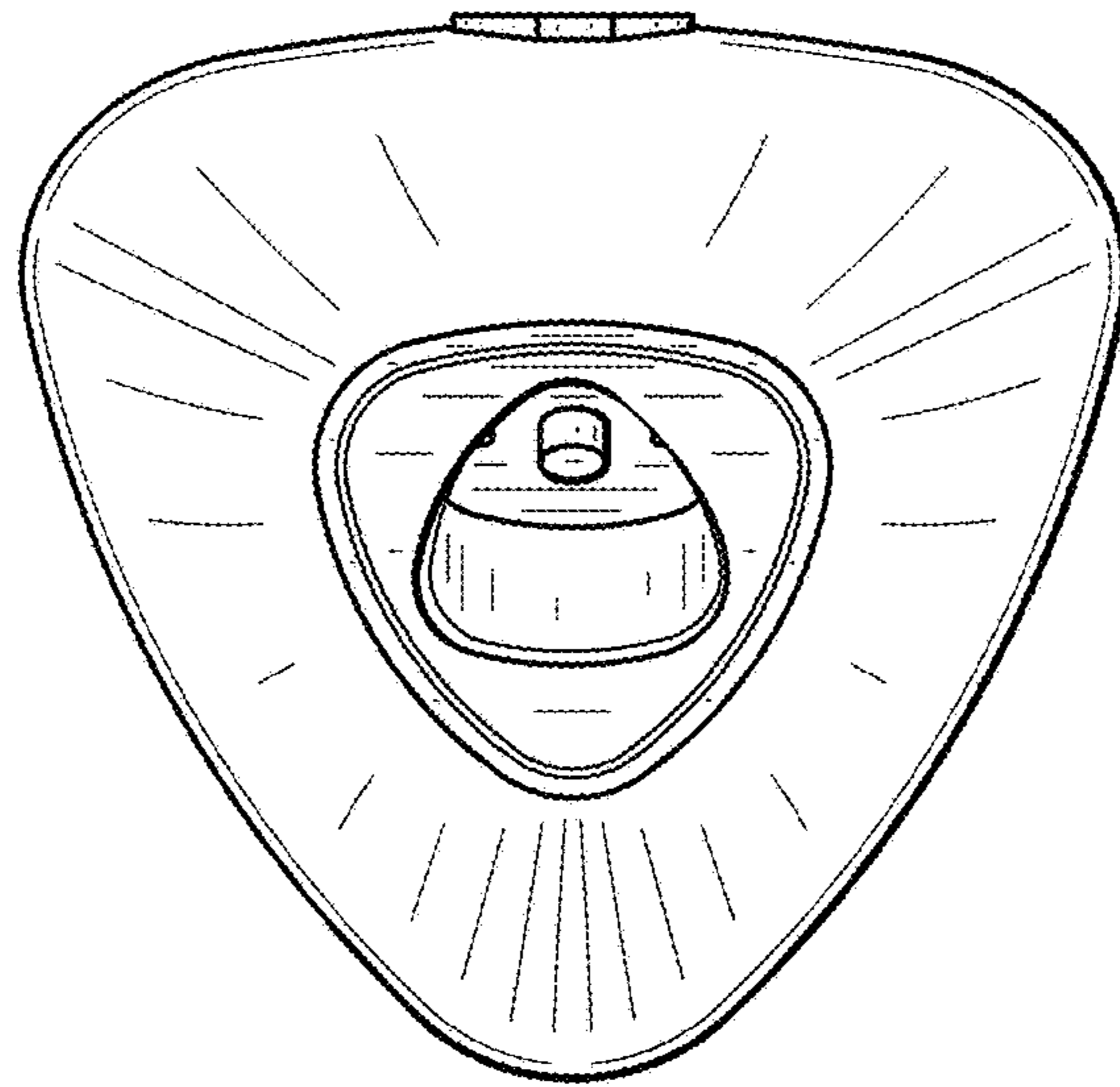


FIG. 7

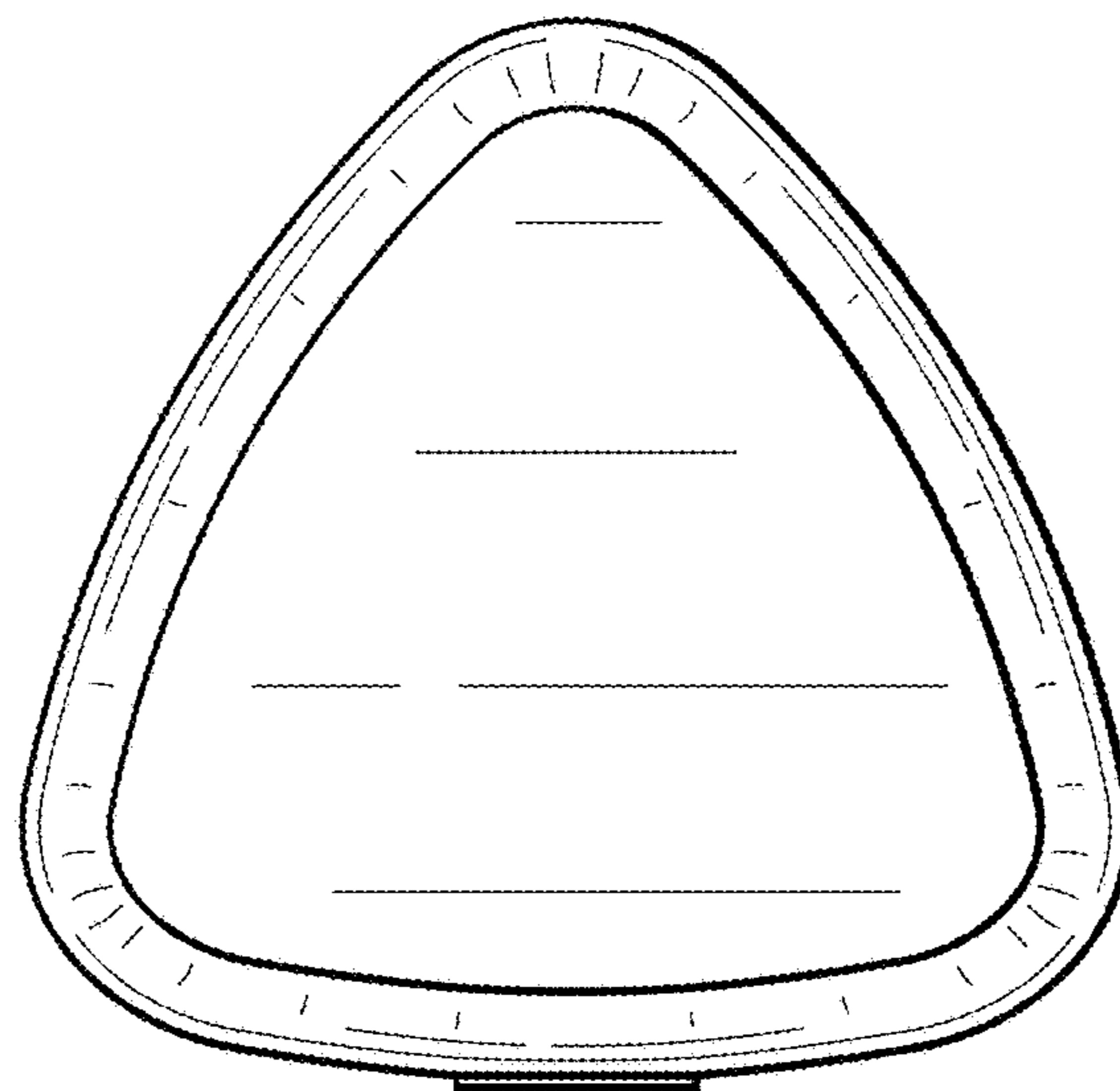


FIG. 8

