



US00D786788S

(12) **United States Design Patent** (10) **Patent No.:** **US D786,788 S**
Chen (45) **Date of Patent:** **** May 16, 2017**

(54) **WALL CHARGER**
(71) Applicant: **Ningbo CStar Import & Export Co., Ltd.**, Ningbo, Zhejiang (CN)
(72) Inventor: **Pengcheng Chen**, Ningbo (CN)
(73) Assignee: **Ningbo CStar Import & Export Co., Ltd.** (CN)
(**) Term: **14 Years**
(21) Appl. No.: **29/523,708**
(22) Filed: **Apr. 13, 2015**
(51) **LOC (10) Cl.** **13-02**
(52) **U.S. Cl.**
USPC **D13/108**
(58) **Field of Classification Search**
USPC D13/107-110, 118-119, 184; D14/251, D14/253, 432, 434
CPC Y02E 60/12; Y02T 90/14; Y02T 90/122; Y02T 90/128; Y02T 90/163; H02J 7/025; H02J 7/0042; H02J 7/0044; H02J 7/0045; H02J 7/0003; H01F 38/14; H01R 13/6675; H01M 2/1022; H01M 2/1055; H01M 10/44; H01M 10/46; H01M 10/425; B60L 11/182
See application file for complete search history.

D678,191 S * 3/2013 Fitch D13/108
D680,492 S * 4/2013 Smith D13/110
D686,988 S * 7/2013 Fawkes D13/110
D722,018 S * 2/2015 Wang D13/103
D730,823 S * 6/2015 Leung D13/108
D732,472 S * 6/2015 Laffon D13/110
D734,259 S * 7/2015 Cypress D13/110
D734,384 S * 7/2015 Han D14/253
D735,130 S * 7/2015 Huang D13/108
D735,132 S * 7/2015 Donohue, II D13/108
D740,749 S * 10/2015 Stewart D13/108
D740,751 S * 10/2015 Akana D13/110
D741,257 S * 10/2015 Sumida D13/108
D742,309 S * 11/2015 Sumida D13/108
D746,771 S * 1/2016 Perez D13/108
D747,265 S * 1/2016 Marini D13/107

* cited by examiner

Primary Examiner — Rosemary K Tarcza
Assistant Examiner — Nathaniel D. Buckner

(57) **CLAIM**

The ornamental design for a wall charger, as shown and described.

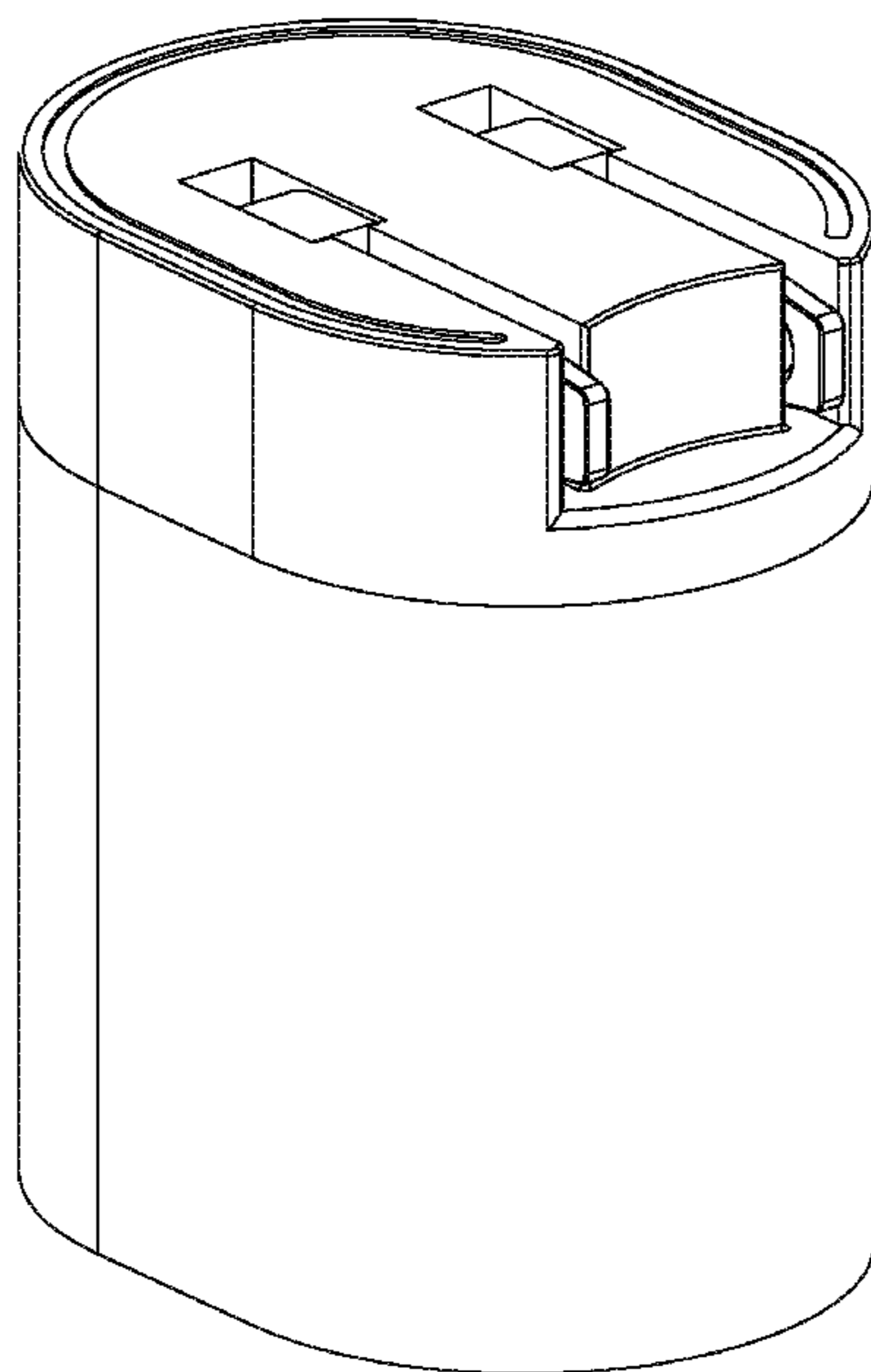
DESCRIPTION

FIG. 1 is a perspective view of the wall charger showing my new design;
FIG. 2 is a front view thereof;
FIG. 3 is a back view thereof;
FIG. 4 is a left view thereof;
FIG. 5 is a right view thereof;
FIG. 6 is a top view thereof; and,
FIG. 7 is a bottom view thereof.

The broken lines shown in the drawings are included for the purpose of illustrating environmental structure and form no part of the claimed design.

1 Claim, 7 Drawing Sheets

(56) **References Cited**
U.S. PATENT DOCUMENTS
D623,136 S * 9/2010 Andre D13/108
D638,357 S * 5/2011 Sasada D13/110
D660,796 S * 5/2012 Wen D13/110
D663,267 S * 7/2012 Kim D13/110
D665,734 S * 8/2012 Fitch D13/107
D677,623 S * 3/2013 Fitch D13/108



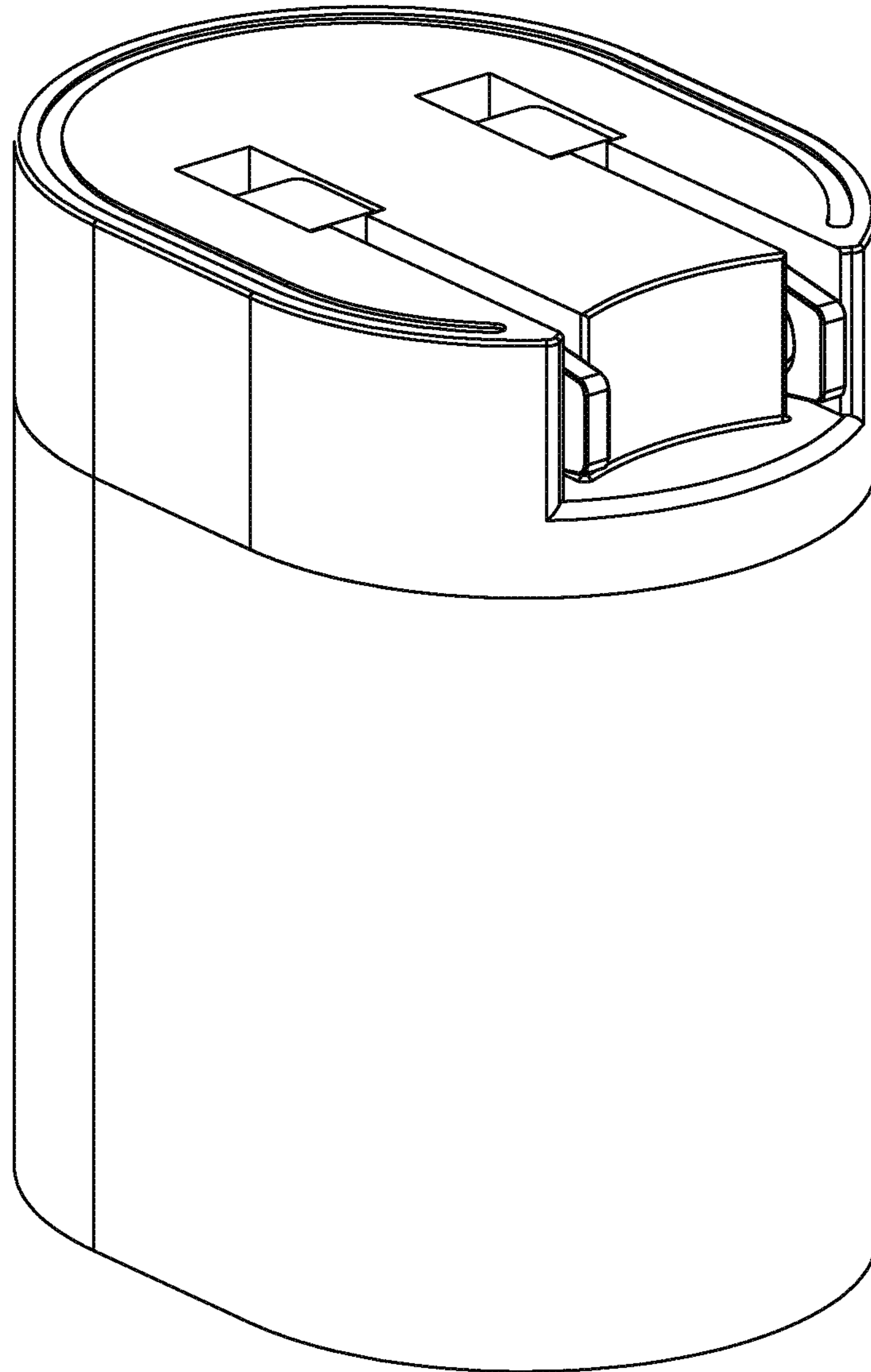


Fig. 1

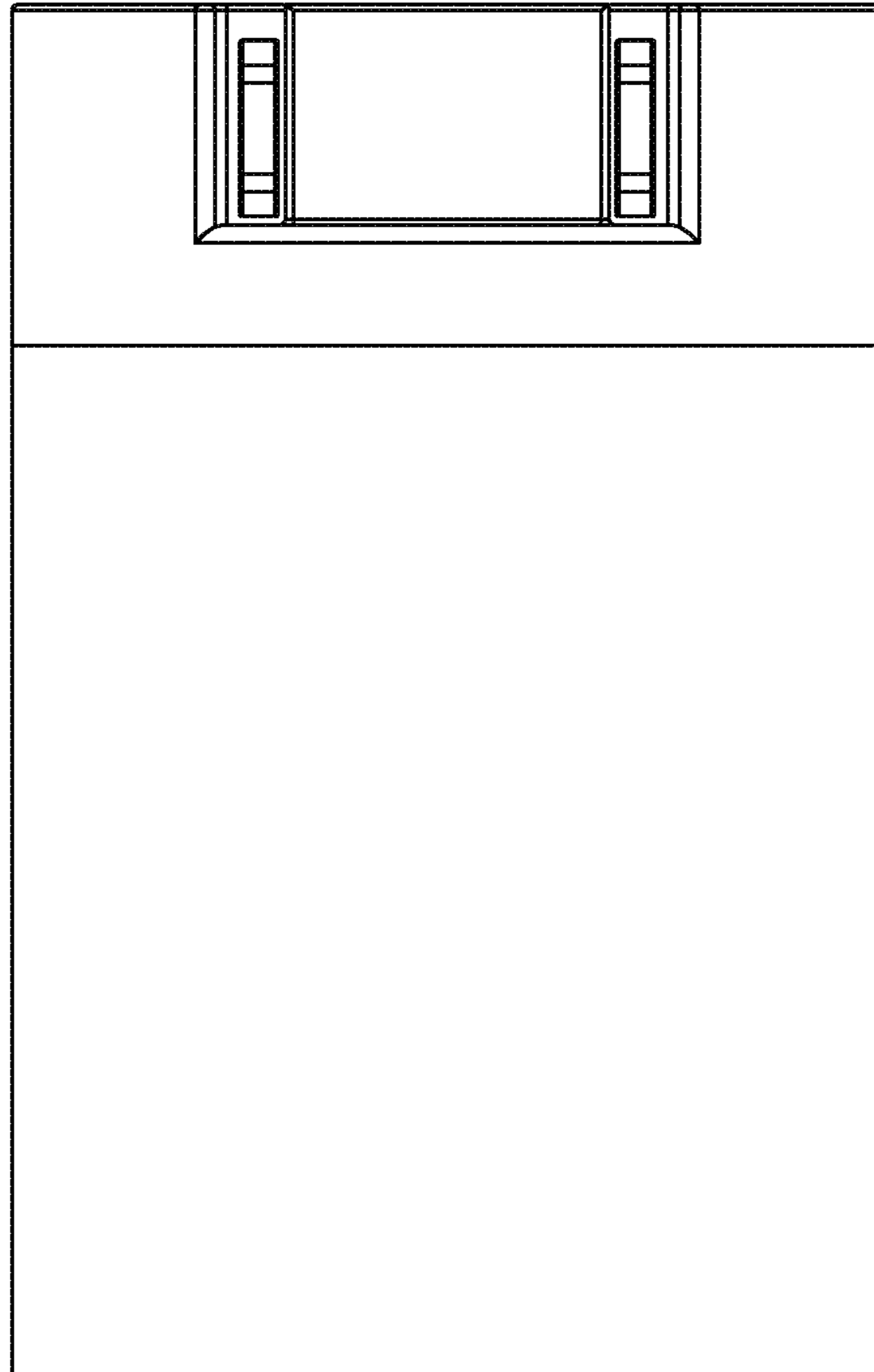


Fig. 2

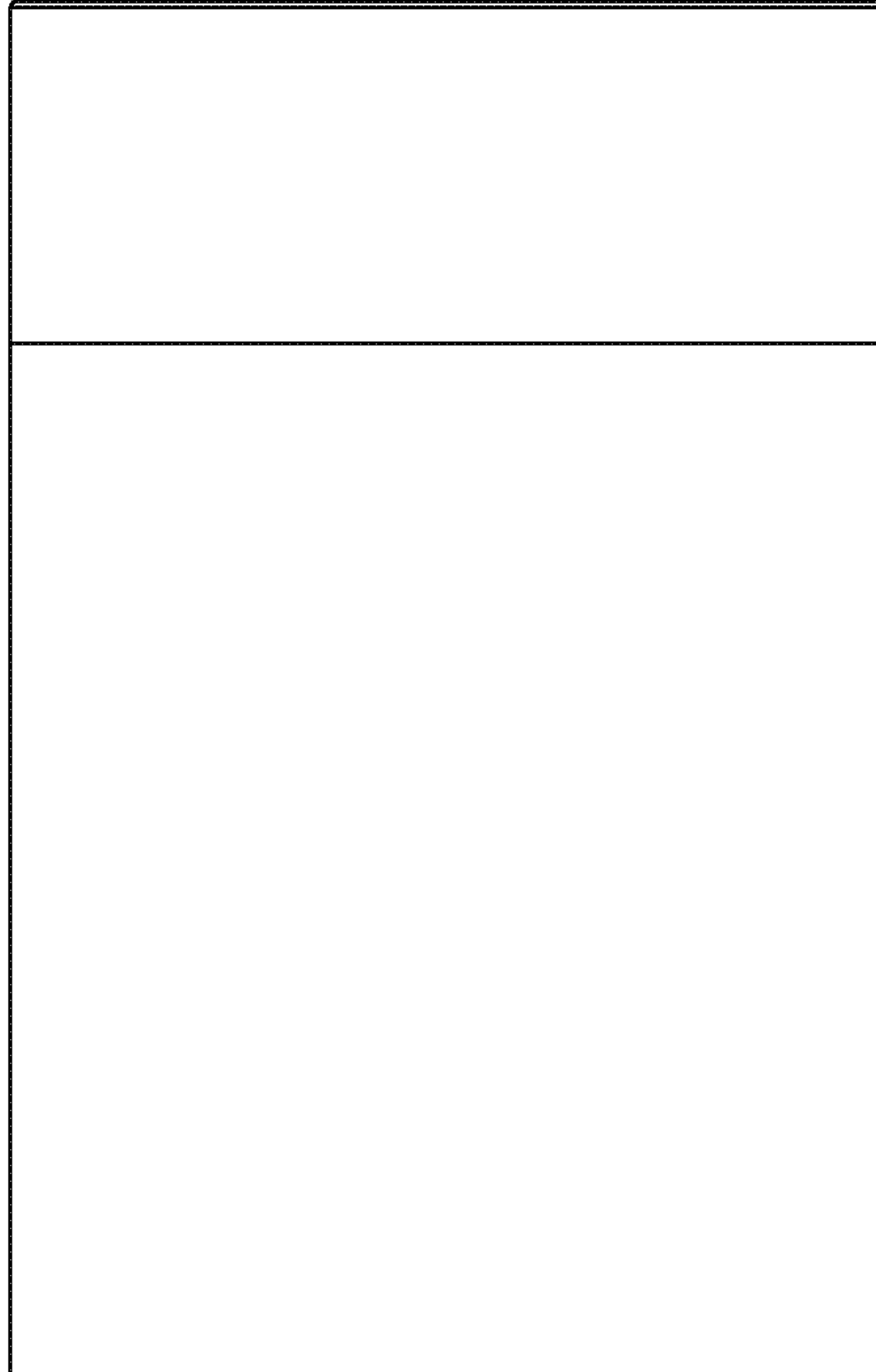


Fig. 3

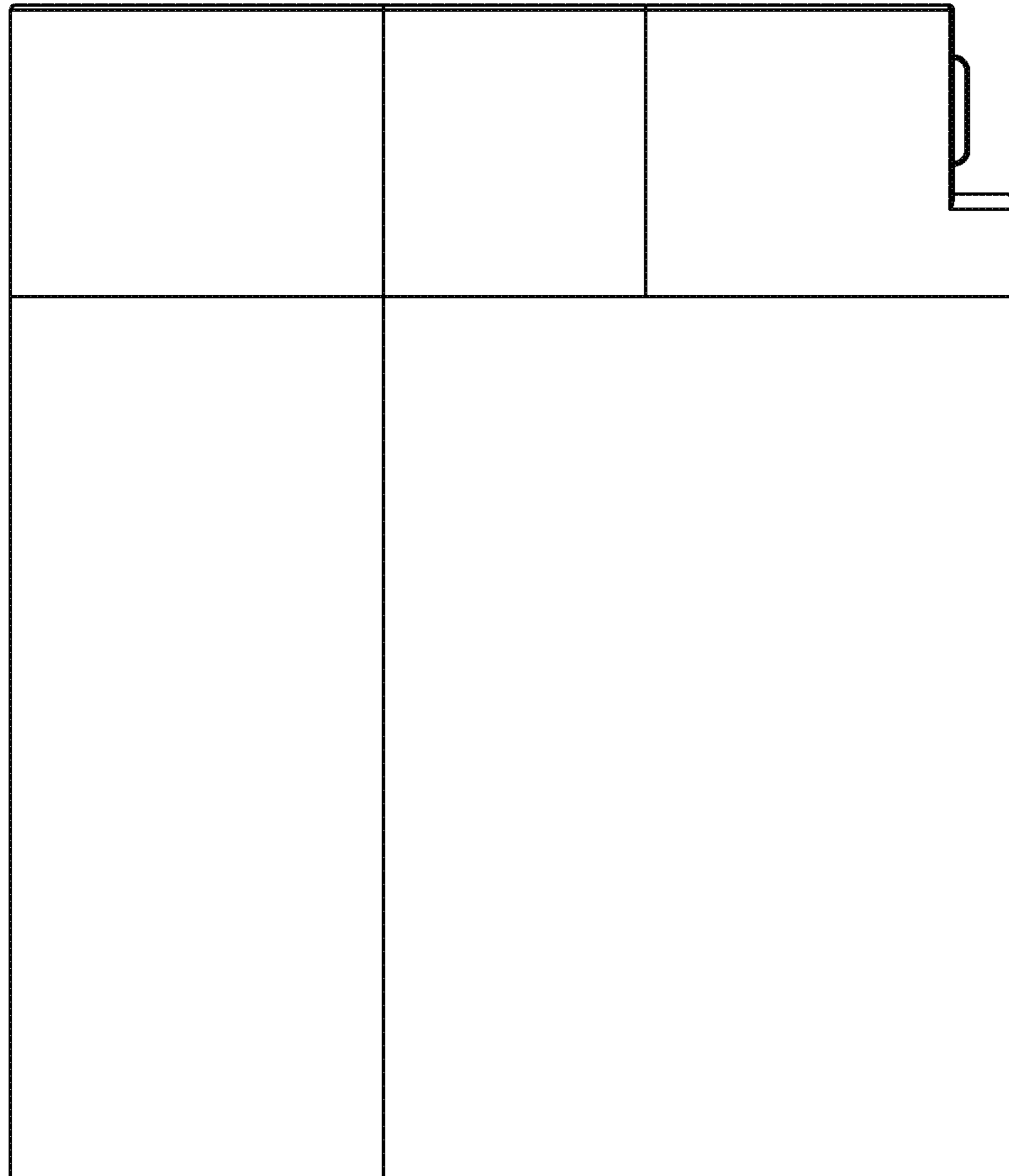


Fig. 4

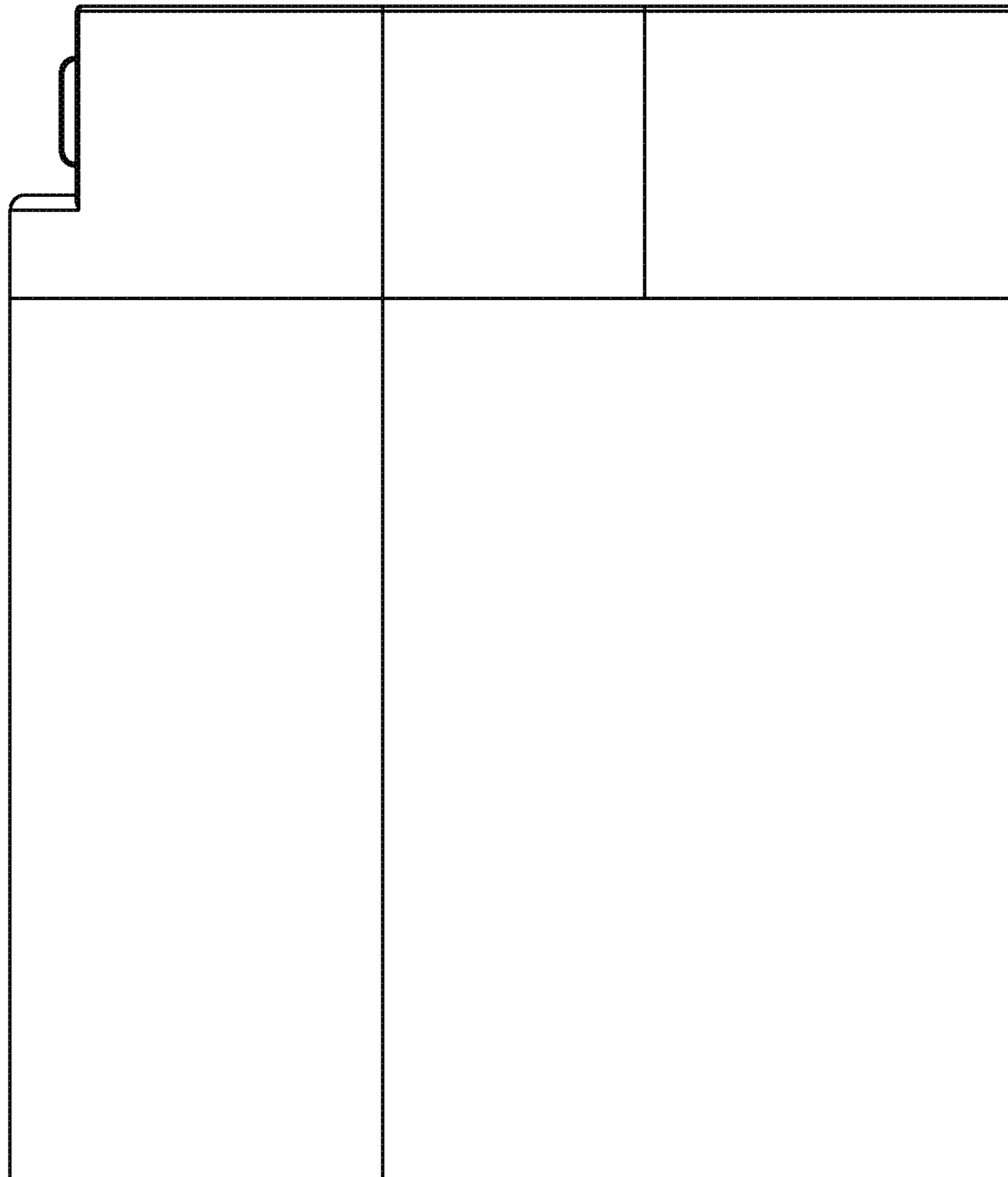


Fig. 5

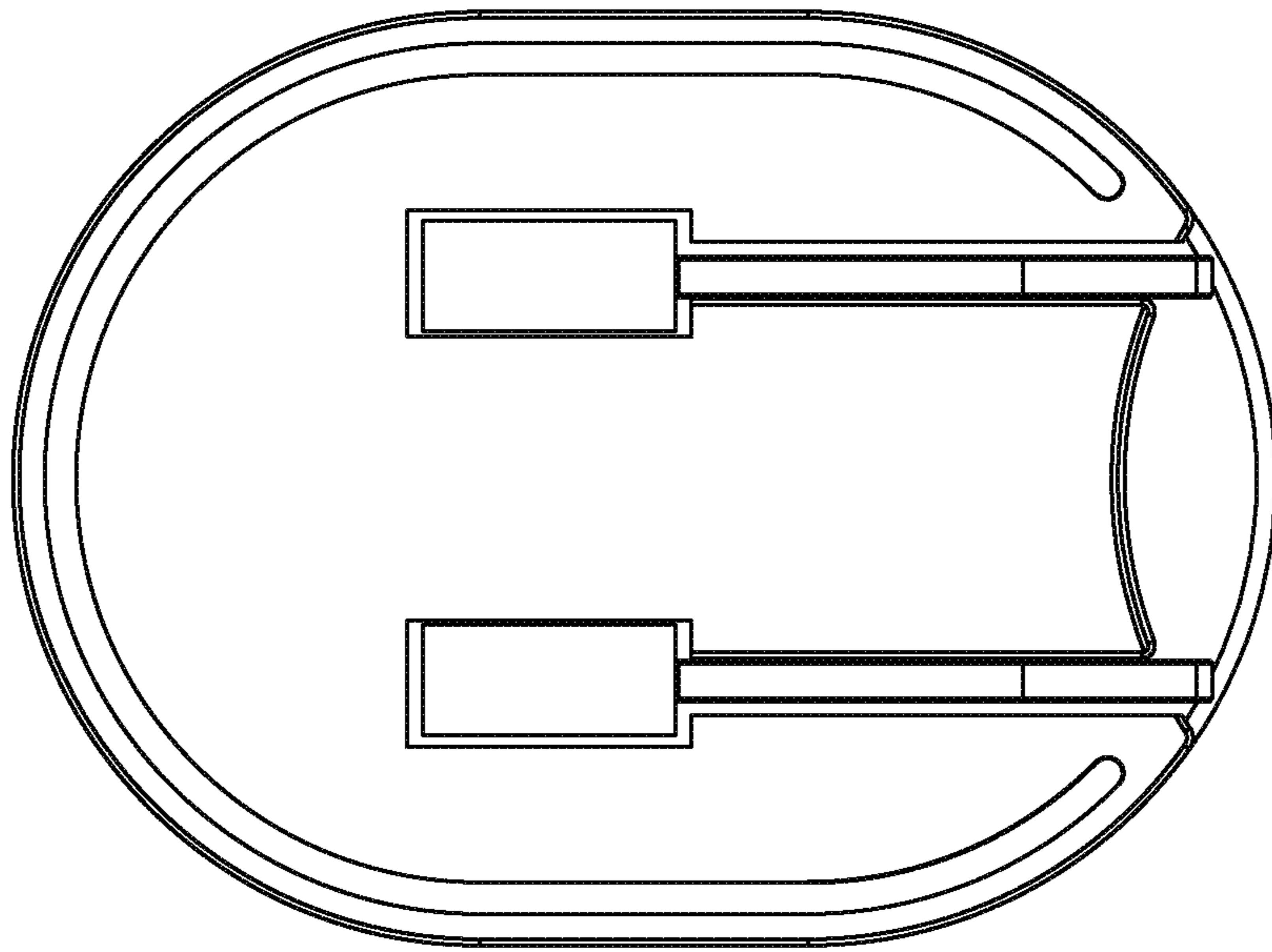


Fig. 6

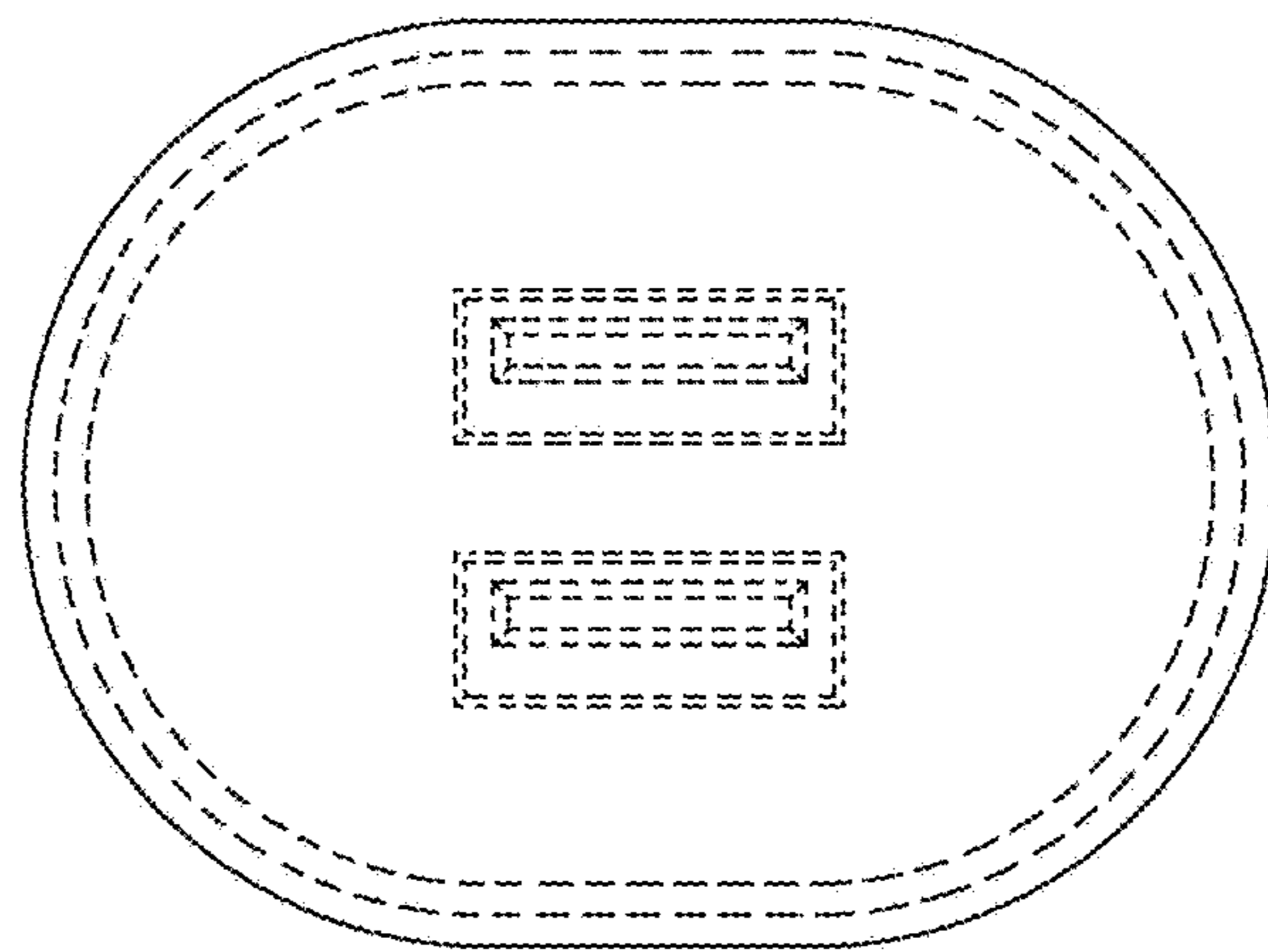


Fig. 7