



US00D786776S

(12) **United States Design Patent**  
**Aoki**

(10) **Patent No.:** **US D786,776 S**

(45) **Date of Patent:** **\*\* May 16, 2017**

(54) **TREAD PORTION OF AUTOMOBILE TIRE**

(71) Applicant: **BRIDGESTONE CORPORATION,**  
Tokyo (JP)

(72) Inventor: **Naotoshi Aoki,** Tokyo (JP)

(73) Assignee: **BRIDGESTONE CORPORATION,**  
Tokyo (JP)

(\*\*) Term: **15 Years**

(21) Appl. No.: **29/552,958**

(22) Filed: **Jan. 27, 2016**

(30) **Foreign Application Priority Data**

Jul. 29, 2015 (JP) ..... 2015-016890

(51) **LOC (10) Cl.** ..... **12-15**

(52) **U.S. Cl.**  
USPC ..... **D12/521**

(58) **Field of Classification Search**  
USPC ..... 152/5, 151, 152.1, 167, 208,  
152/209.1-209.28, 246, 450, 526, 527,  
152/532, 535, 538, 541; D12/145,  
D12/500-605, 900-901

CPC ..... B60C 11/00; B60C 2011/0337; B60C  
2011/0339; B60C 2011/0386; B60C 3/00;  
B60C 3/08; B60C 1/00; B60C 2200/00;  
B60C 2200/02; B60C 2200/04; B60C  
2200/06; B60C 2200/065; B60C 2200/08;  
B60C 2200/10; B60C 2200/12; B60C  
2200/14; B60C 7/00; B60C 7/02; B60C  
7/04; B60C 7/06; B60C 7/08; B60C 5/00;  
B60C 13/00

See application file for complete search history.

(56) **References Cited**

**U.S. PATENT DOCUMENTS**

D432,956 S \* 10/2000 Ricquet ..... D12/521  
D432,957 S \* 10/2000 Ricquet ..... D12/521

D525,186 S \* 7/2006 Martin ..... D12/521  
D579,855 S \* 11/2008 Fontaine ..... D12/521  
D593,931 S \* 6/2009 Fontaine ..... D12/521  
D609,627 S \* 2/2010 Frappart ..... D12/523  
D638,348 S \* 5/2011 Harvey ..... D12/521  
D639,720 S \* 6/2011 Harvey ..... D12/521

(Continued)

**FOREIGN PATENT DOCUMENTS**

JP 1495620 S 4/2014  
JP 1498752 S 6/2014  
JP 1519943 S 3/2015

**OTHER PUBLICATIONS**

Japanese Notice of Japanese Design Application No. 2015-016890 dated Oct. 27, 2015.

*Primary Examiner* — Manpreet Matharu

*Assistant Examiner* — Keith Wilson

(74) *Attorney, Agent, or Firm* — Sughrue Mion, PLLC

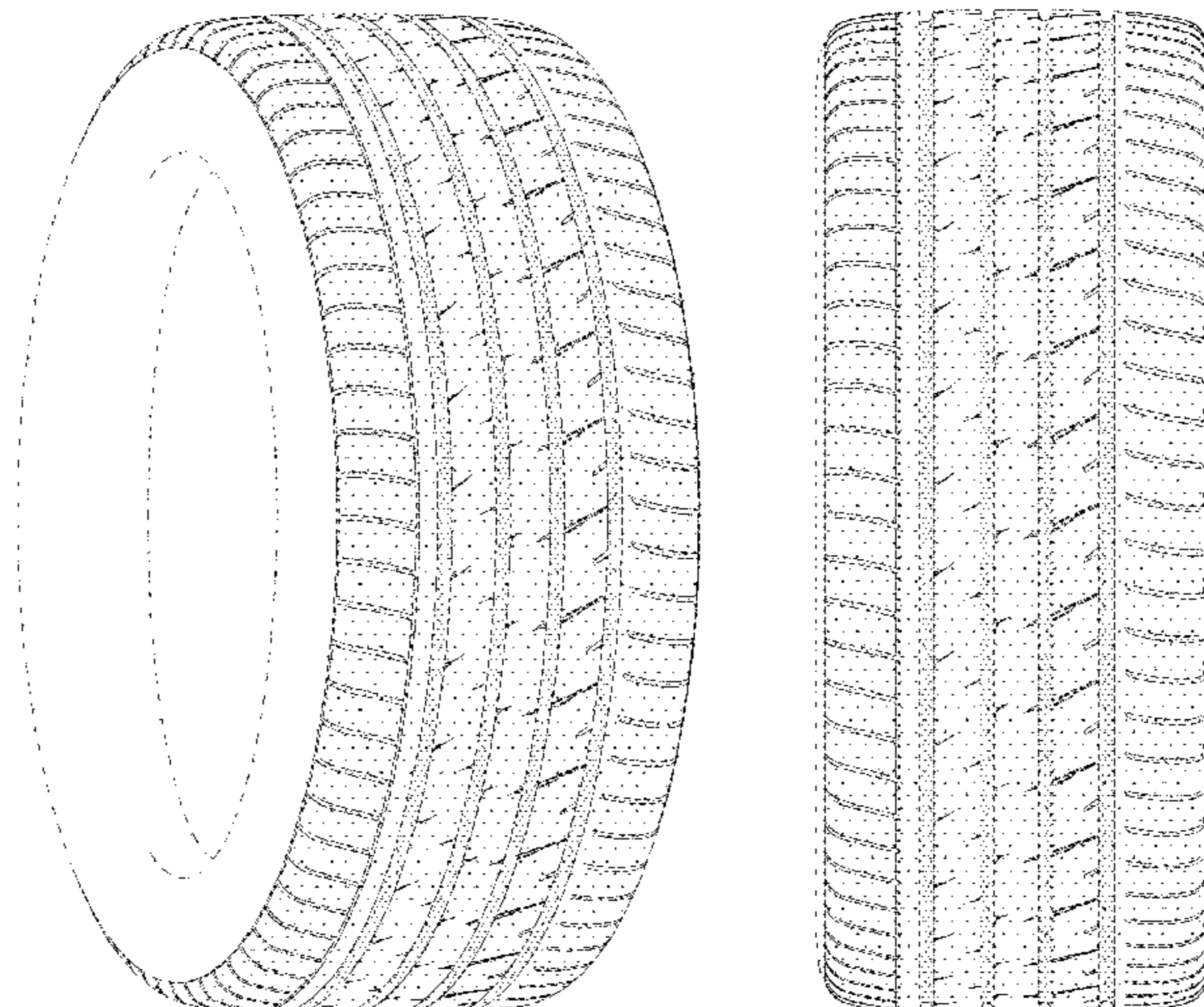
(57) **CLAIM**

The ornamental design for a tread portion of automobile tire, as shown and described.

**DESCRIPTION**

FIG. 1 is a perspective view of a tread portion of an automobile tire showing my new design;  
FIG. 2 is a front view thereof;  
FIG. 3 is a top view thereof;  
FIG. 4 is a right side view thereof;  
FIG. 5 is a left side view thereof;  
FIG. 6 is a fragmentary enlarged front view showing the details of the tread portion thereof;  
FIG. 7 is a section view taken along line 7-7 in FIG. 6; and,  
FIG. 8 is a section view taken along line 8-8 in FIG. 6.  
Broken lines in the drawing figures are intended to show portions of the tire that are not being claimed, and thus form no part of the claimed invention.

**1 Claim, 8 Drawing Sheets**



(56)

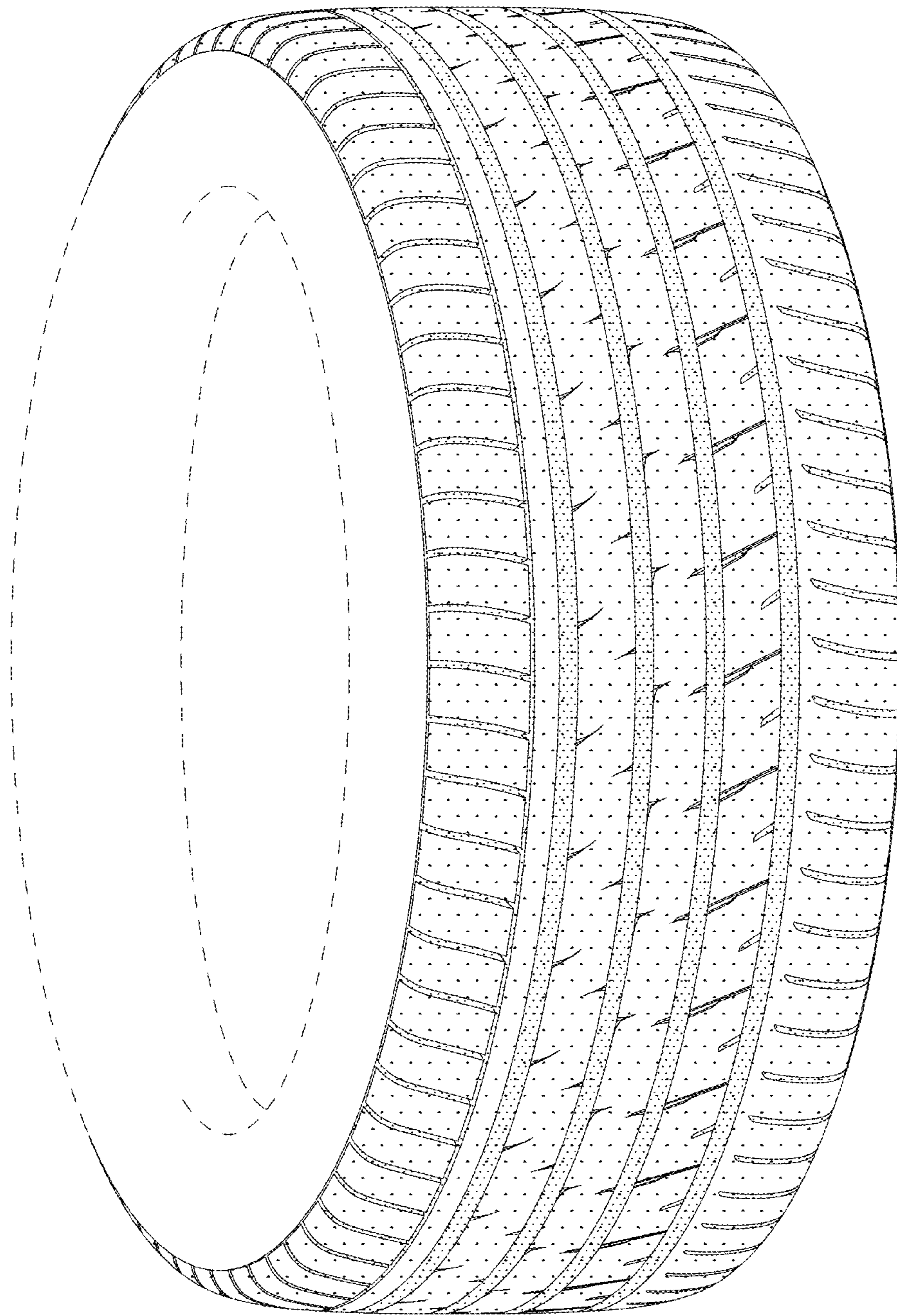
**References Cited**

U.S. PATENT DOCUMENTS

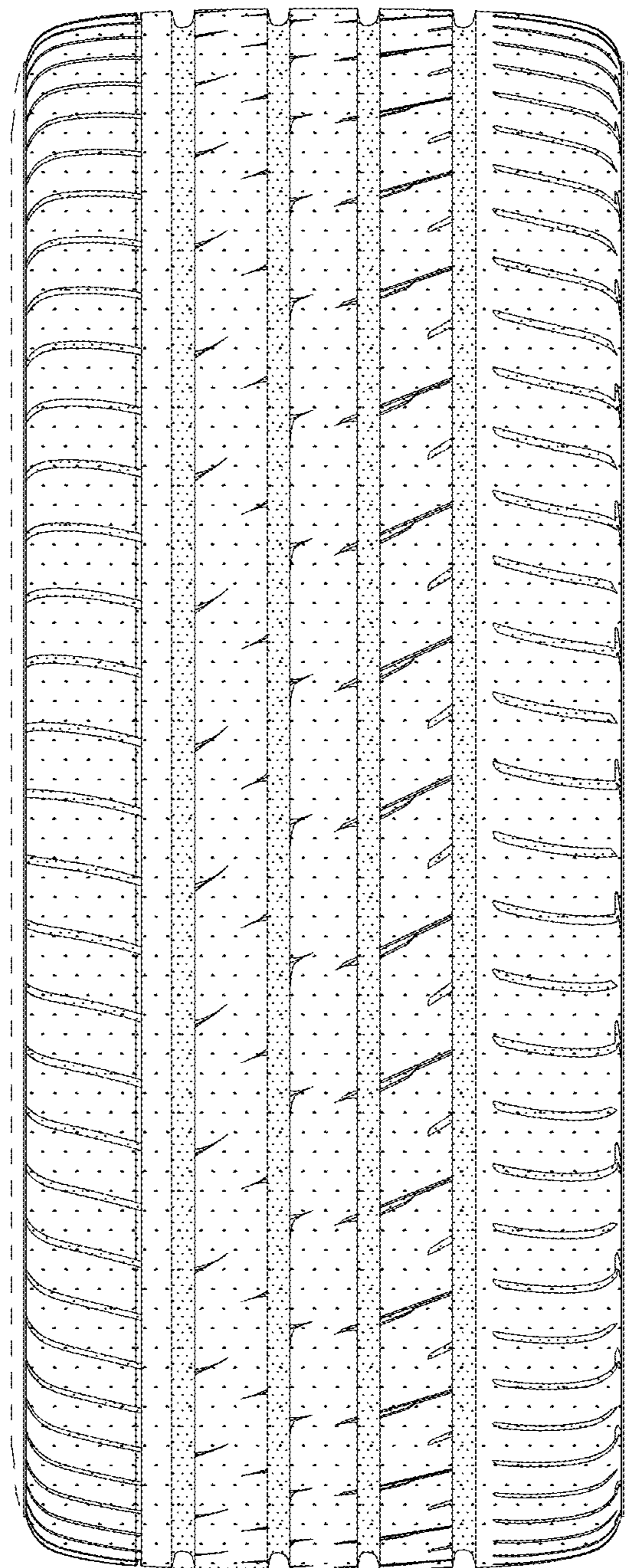
D644,593	S *	9/2011	Fontaine .....	D12/523
D655,239	S *	3/2012	Zhao .....	D12/521
D659,075	S *	5/2012	Harvey .....	D12/521
D659,633	S *	5/2012	Bindner .....	D12/521
D669,024	S *	10/2012	Oji .....	D12/590
D709,434	S *	7/2014	Kato .....	D12/521
D713,325	S *	9/2014	Maxwell .....	D12/521
D713,326	S *	9/2014	Fontaine .....	D12/532
D721,635	S *	1/2015	Lucas .....	D12/524
D721,641	S *	1/2015	Sieber .....	D12/588
D733,635	S *	7/2015	Digman .....	D12/521
D737,751	S *	9/2015	Bourel .....	D12/521
D753,584	S *	4/2016	Mathis .....	D12/605
2016/0082780	A1 *	3/2016	Nagahara .....	B60C 11/042 152/209.18
2016/0144665	A1 *	5/2016	Koishikawa .....	B60C 11/0306 152/209.1

\* cited by examiner

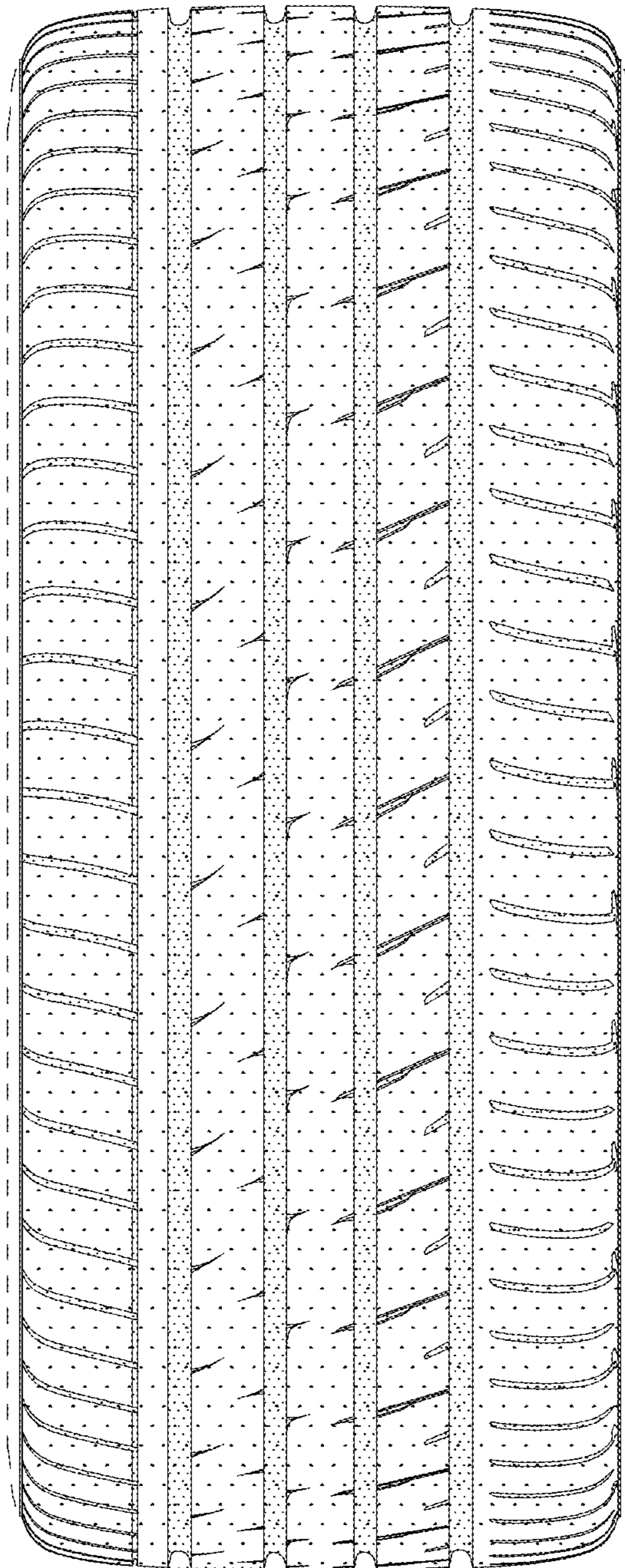
*FIG. 1*



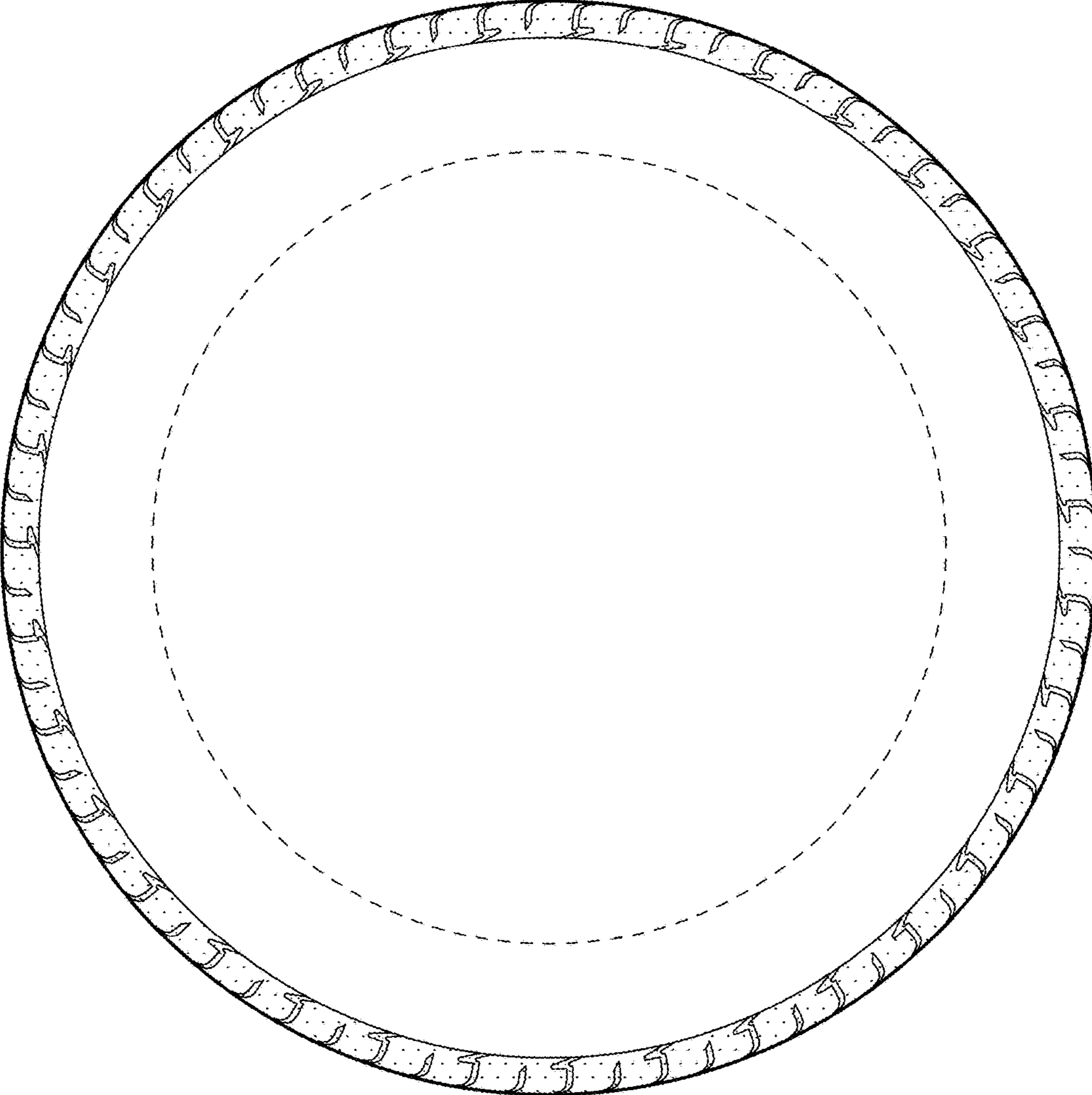
*FIG. 2*



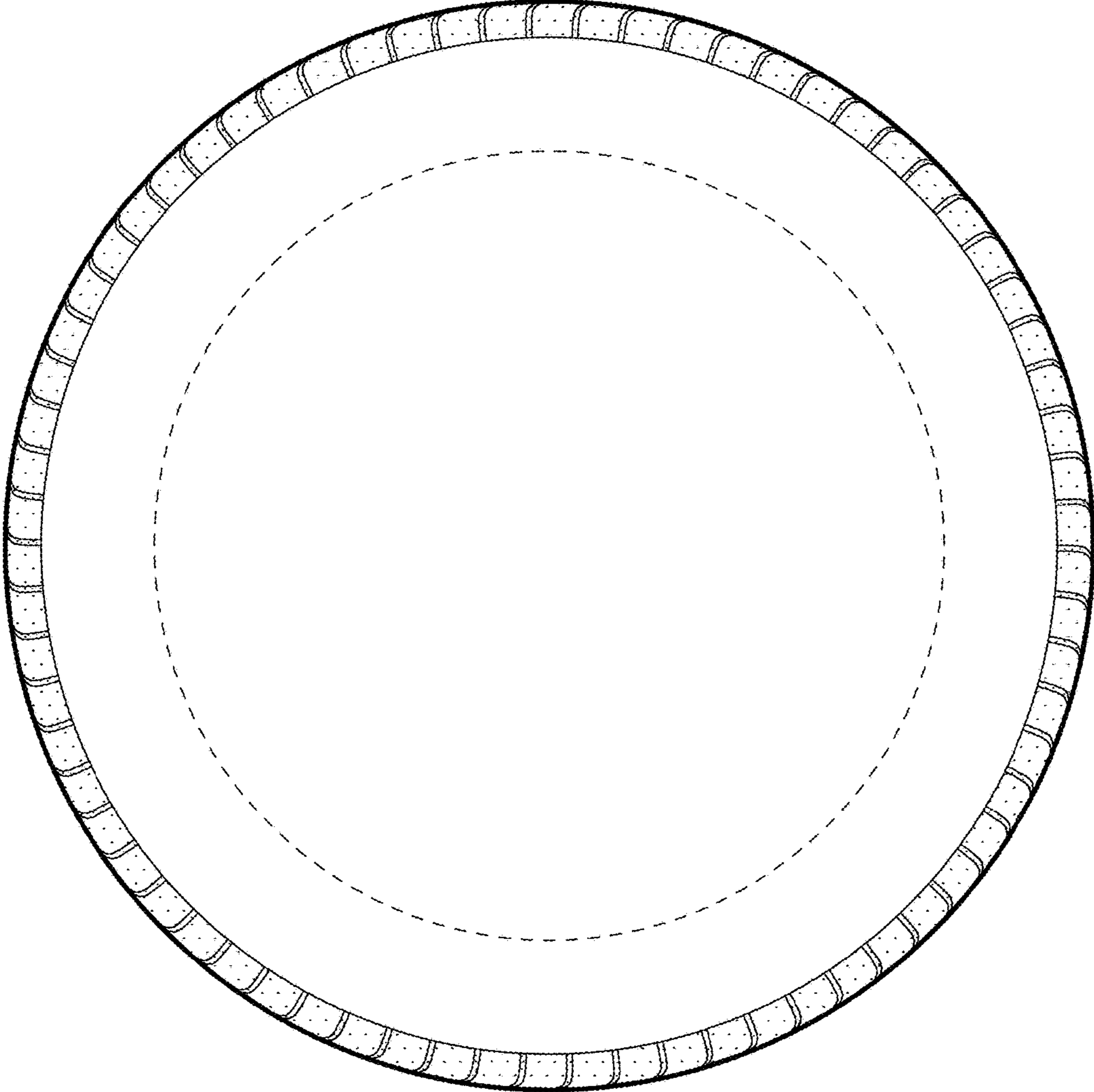
*FIG. 3*



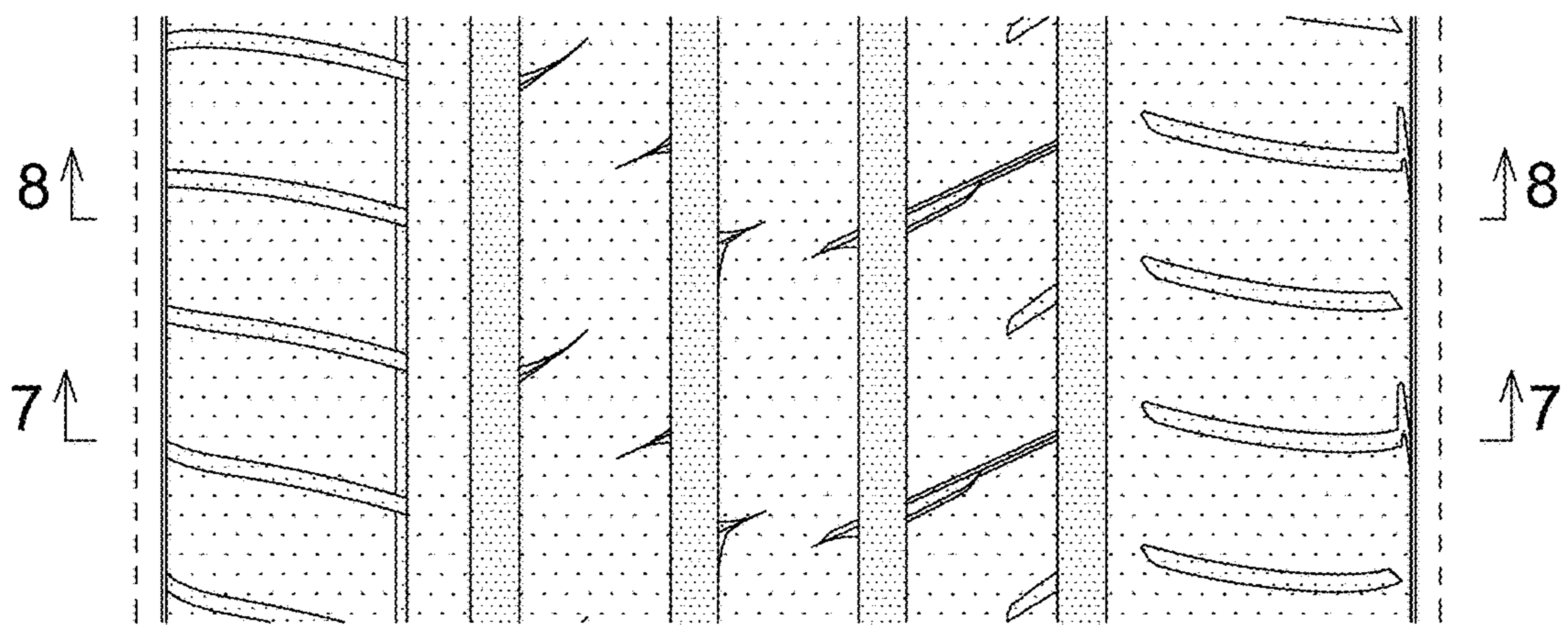
*FIG. 4*



*FIG. 5*

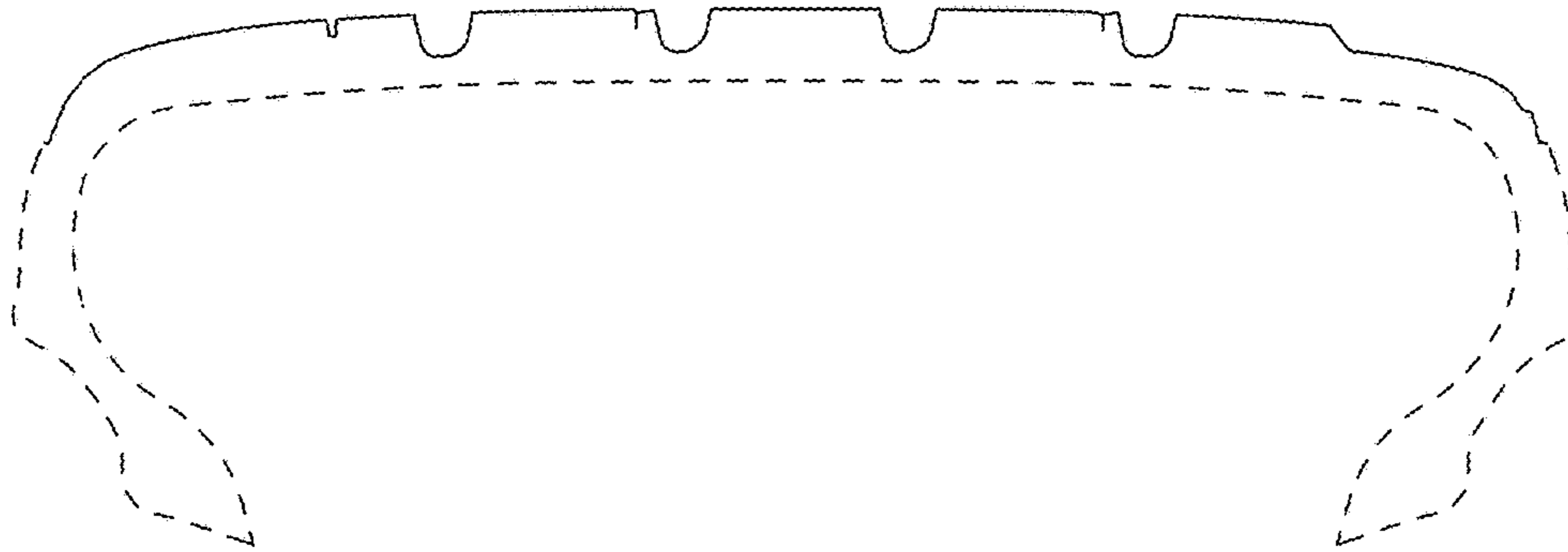


*FIG. 6*





*FIG. 7*



*FIG. 8*

