



US00D786775S

(12) **United States Design Patent**  
**Hayashi**

(10) **Patent No.:** **US D786,775 S**

(45) **Date of Patent:** **\*\* May 16, 2017**

(54) **TREAD PORTION OF AN AUTOMOBILE TIRE**

D709,434 S \* 7/2014 Kato ..... D12/521  
D720,282 S \* 12/2014 Kim ..... D12/521  
D755,710 S \* 5/2016 Tian ..... D12/523  
2011/0061780 A1 \* 3/2011 Mita ..... B60C 11/1392  
152/209.8

(71) Applicant: **BRIDGESTONE CORPORATION**,  
Tokyo (JP)

(72) Inventor: **Shintaro Hayashi**, Tokyo (JP)

(73) Assignee: **BRIDGESTONE CORPORATION**,  
Chuo-ku, Tokyo (JP)

(\*\*) Term: **15 Years**

(21) Appl. No.: **29/530,317**

(22) Filed: **Jun. 16, 2015**

(30) **Foreign Application Priority Data**

Dec. 24, 2014 (JP) ..... 2014-028877

(51) **LOC (10) Cl.** ..... **12-15**

(52) **U.S. Cl.**  
USPC ..... **D12/521**

(58) **Field of Classification Search**  
USPC ..... D12/519-532, 551-567, 586-603, 145,  
D12/900, 901

CPC ..... B60C 1/0016; B60C 11/0302-11/0318;  
B60C 11/11-11/13; B60C 3/06; B60C  
9/17; B60C 2200/10

See application file for complete search history.

(56) **References Cited**

**U.S. PATENT DOCUMENTS**

D606,926 S \* 12/2009 Heinen ..... D12/521  
D708,564 S \* 7/2014 Wang ..... D12/521

\* cited by examiner

*Primary Examiner* — Cathron Brooks

*Assistant Examiner* — Ian Whitmore

(74) *Attorney, Agent, or Firm* — Sughrue Mion, PLLC

(57) **CLAIM**

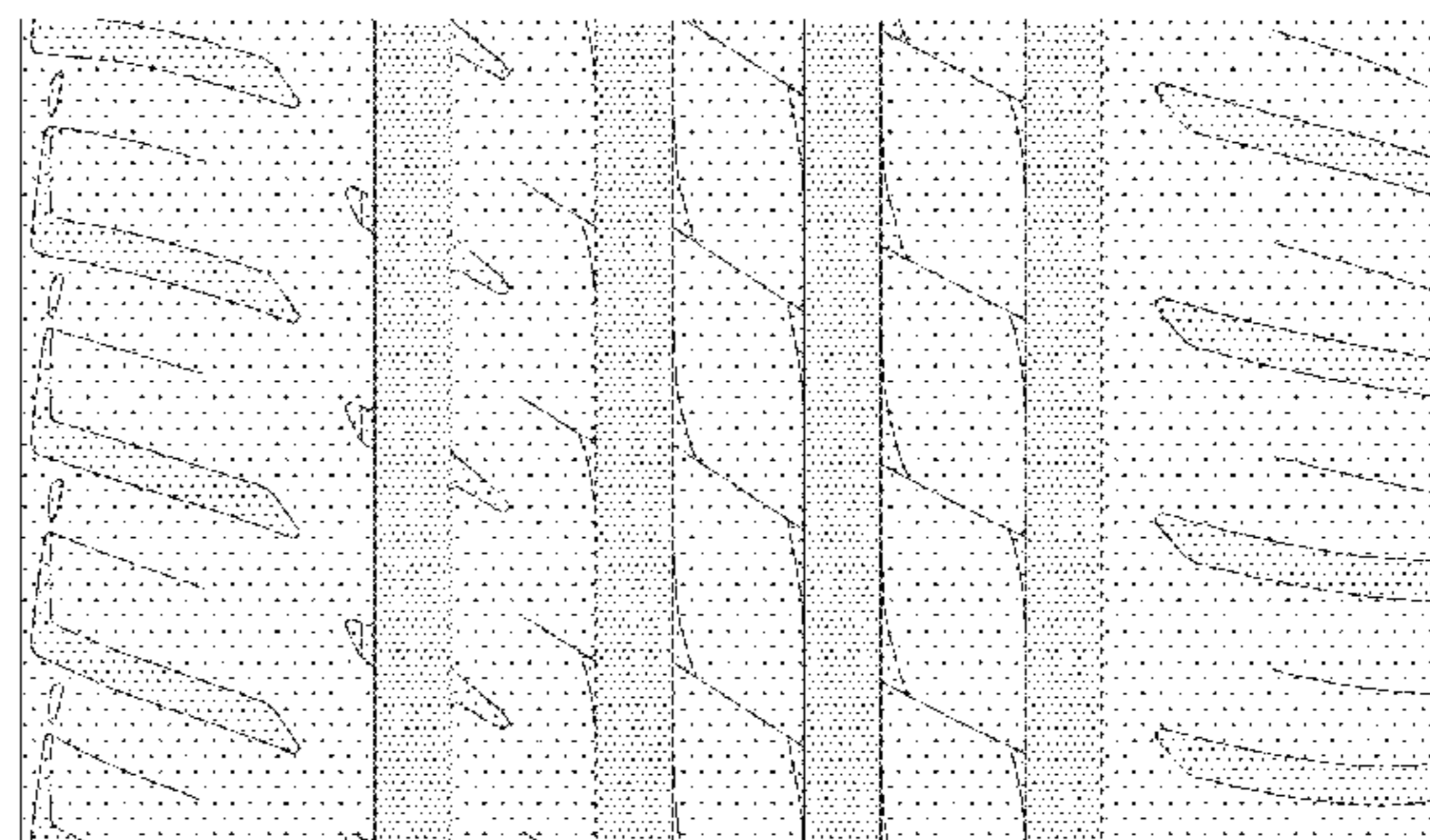
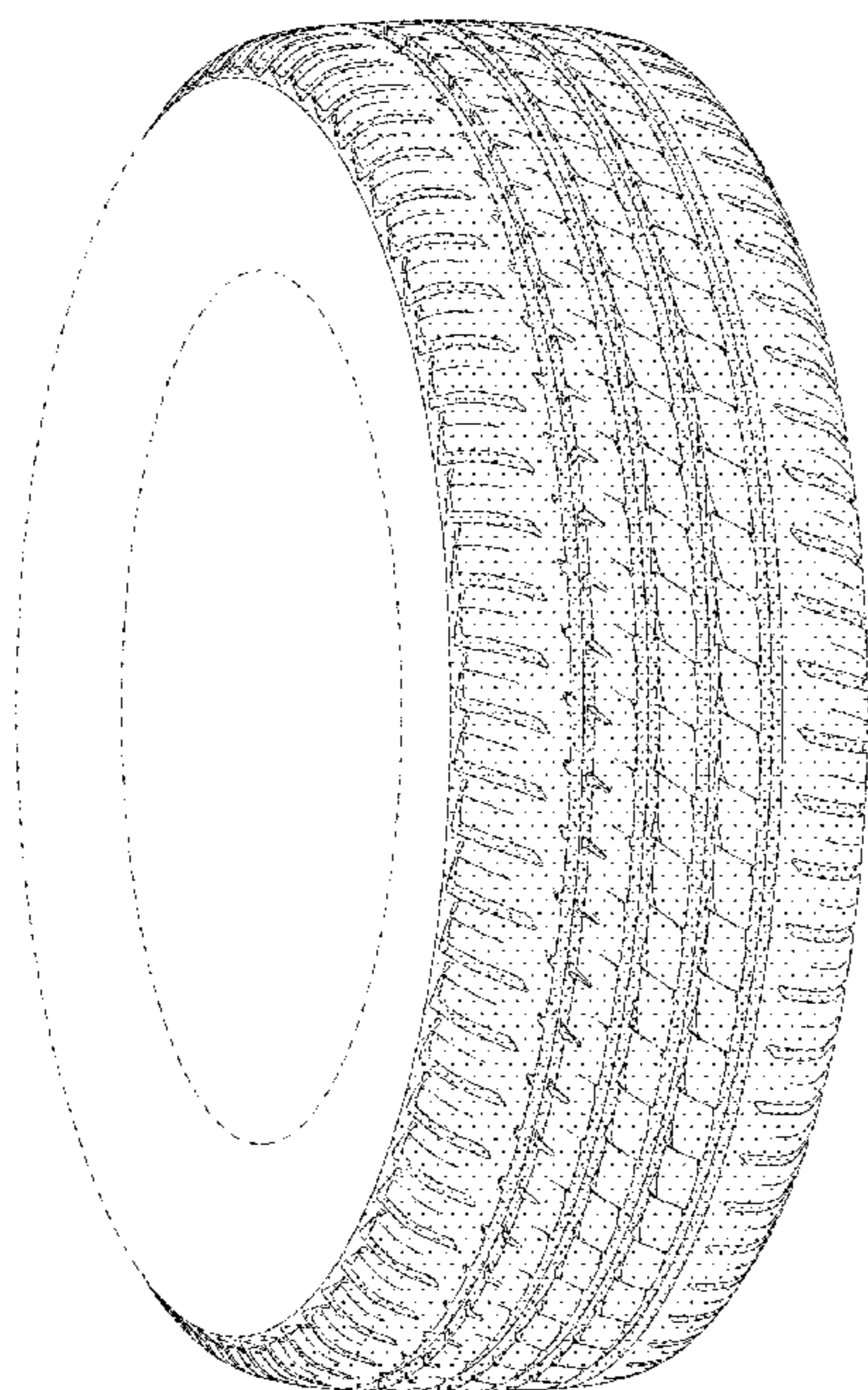
The ornamental design for a tread portion of an automobile tire, as shown and described.

**DESCRIPTION**

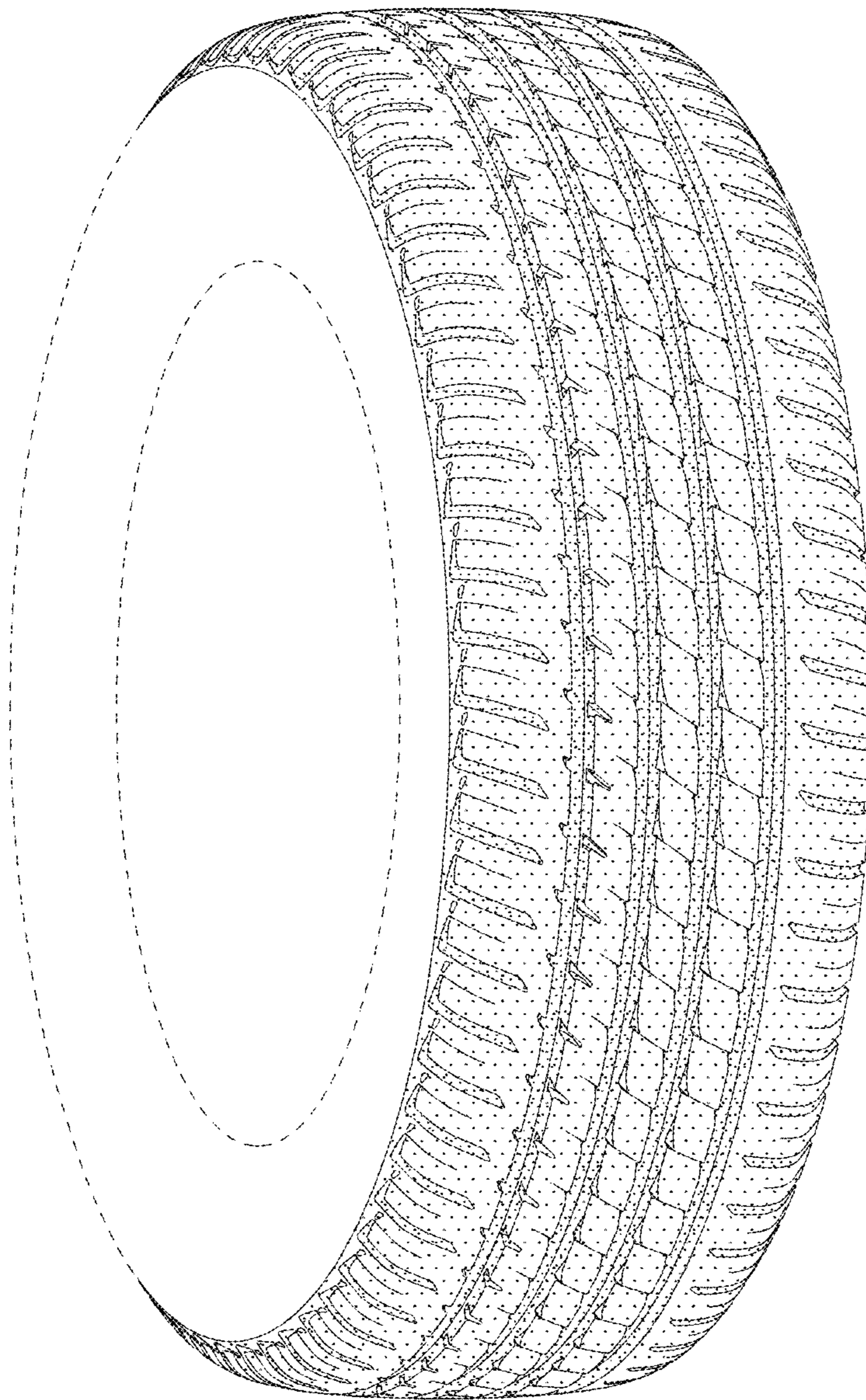
FIG. 1 is a perspective view of the tread portion of an automobile tire showing my new design;  
FIG. 2 is a front view thereof;  
FIG. 3 is a right side view thereof;  
FIG. 4 is a left side view thereof;  
FIG. 5 is a partial front view of the tread shown enlarged for clarity of illustration;  
FIG. 6 is a sectional view taken in the direction defined by line 6-6 in FIG. 5; and,  
FIG. 7 is a sectional view taken in the direction defined by line 7-7 in FIG. 5.

The broken lines illustrate portions of the sidewall, bead, and interior surface of a tire, and form no part of the claimed design.

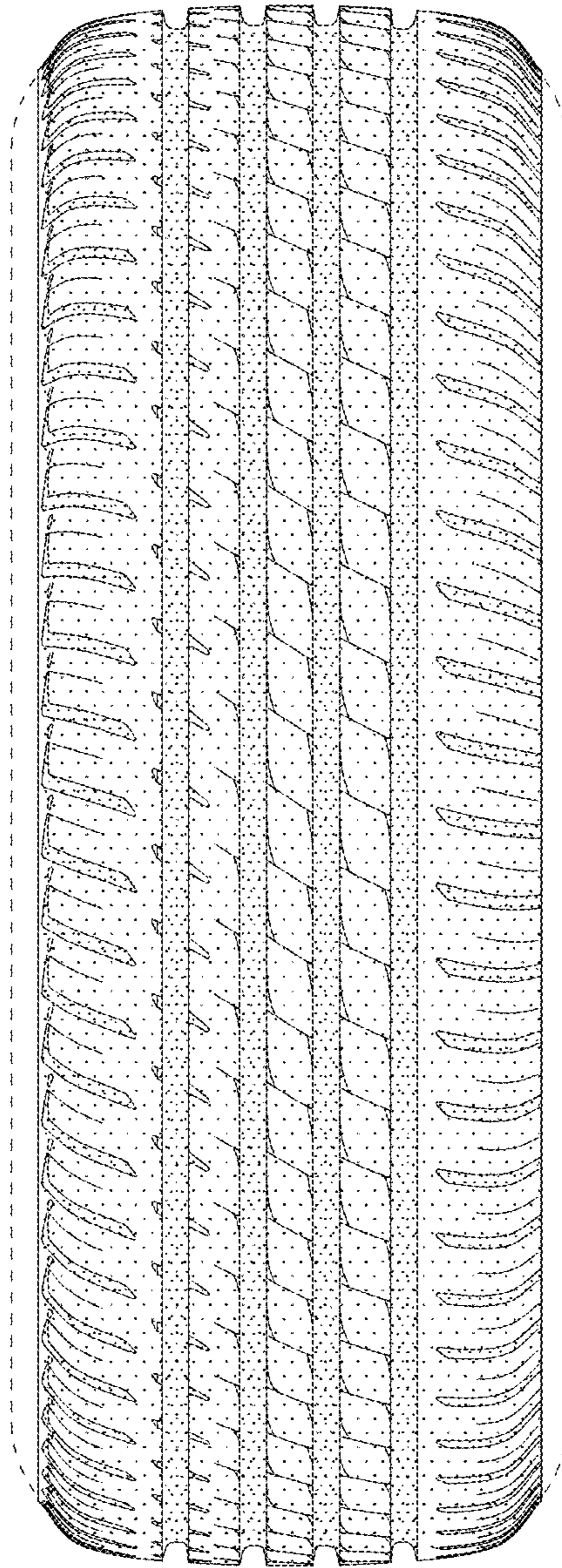
**1 Claim, 7 Drawing Sheets**



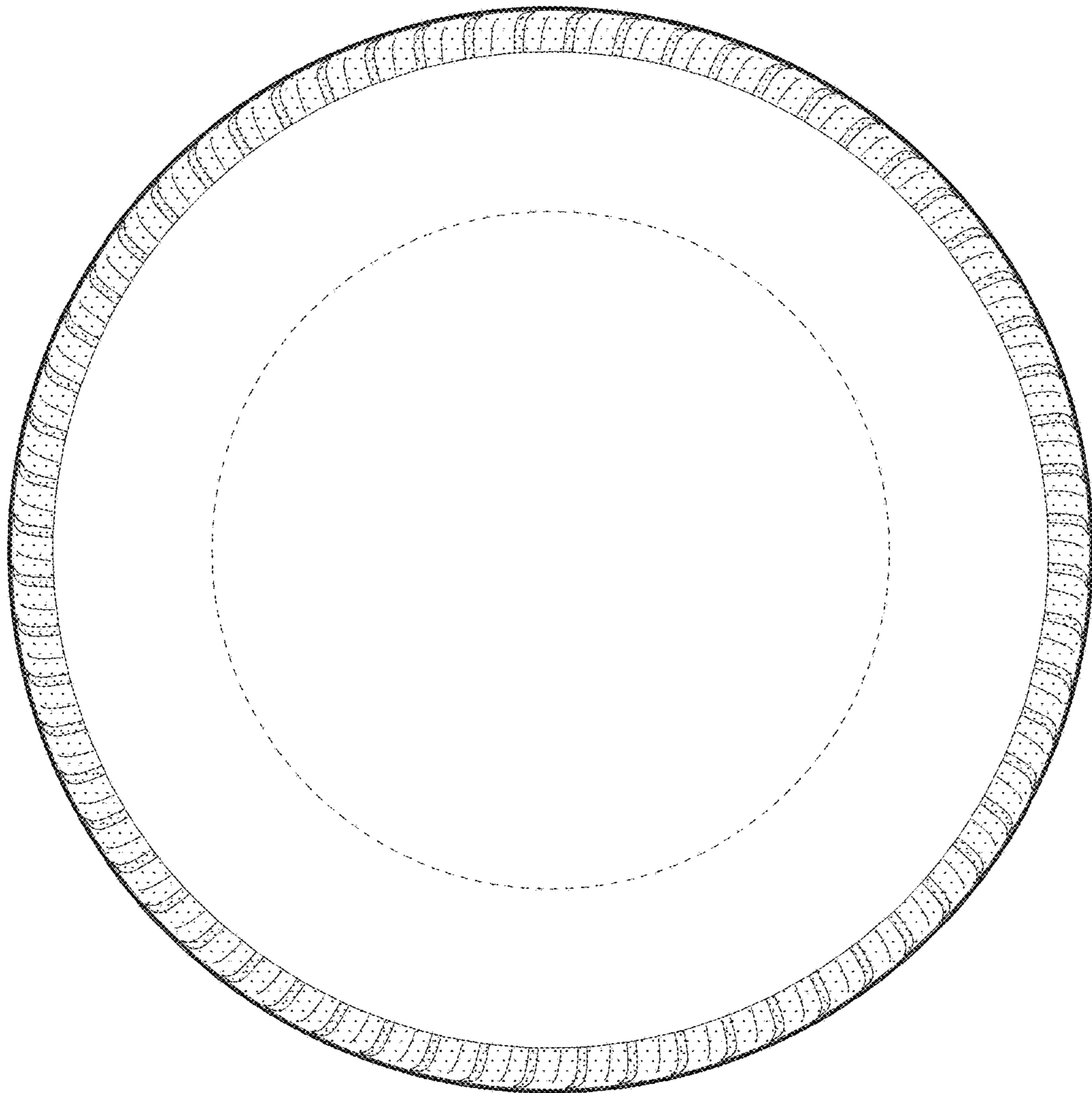
*FIG. 1*



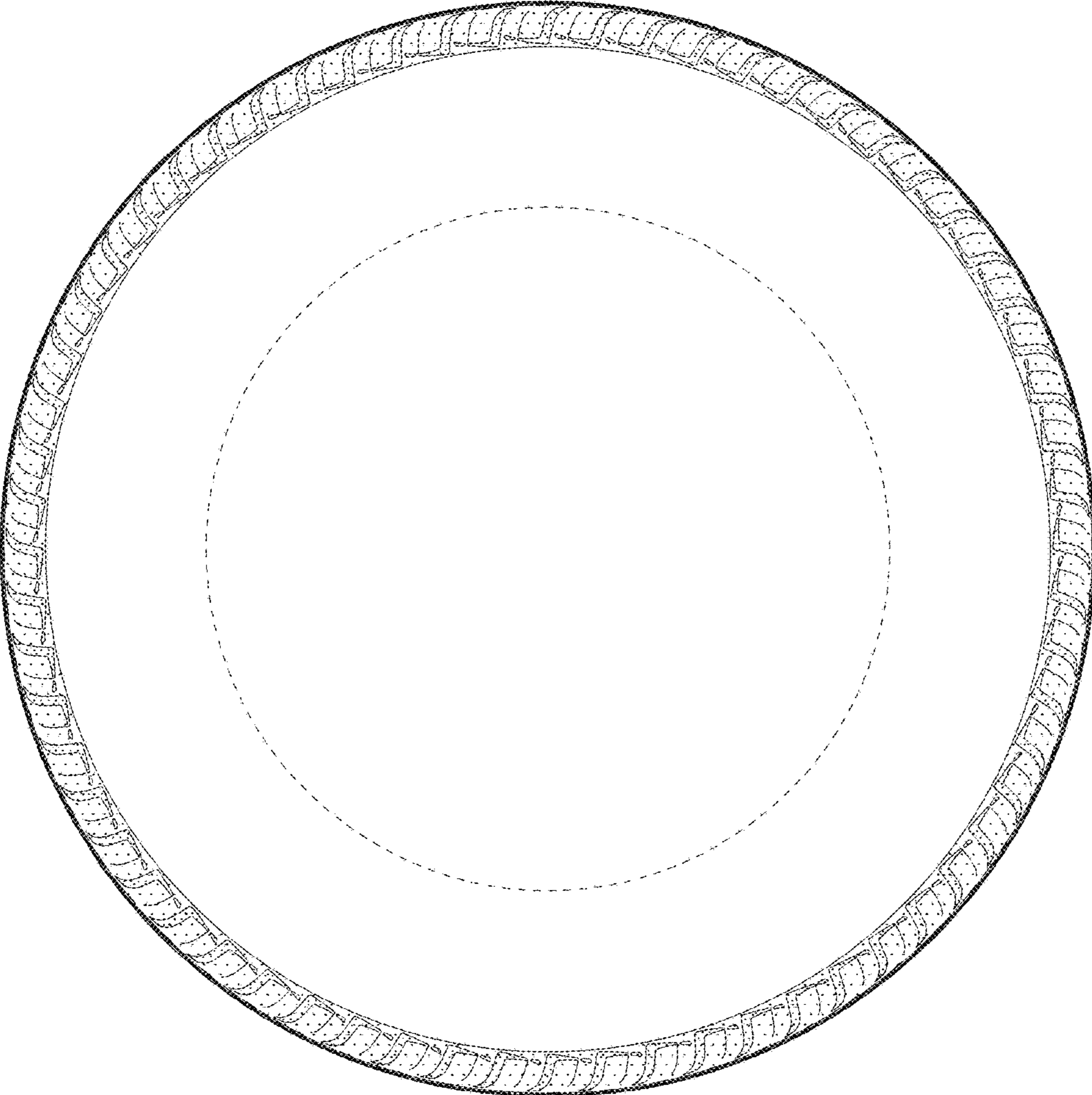
*FIG. 2*



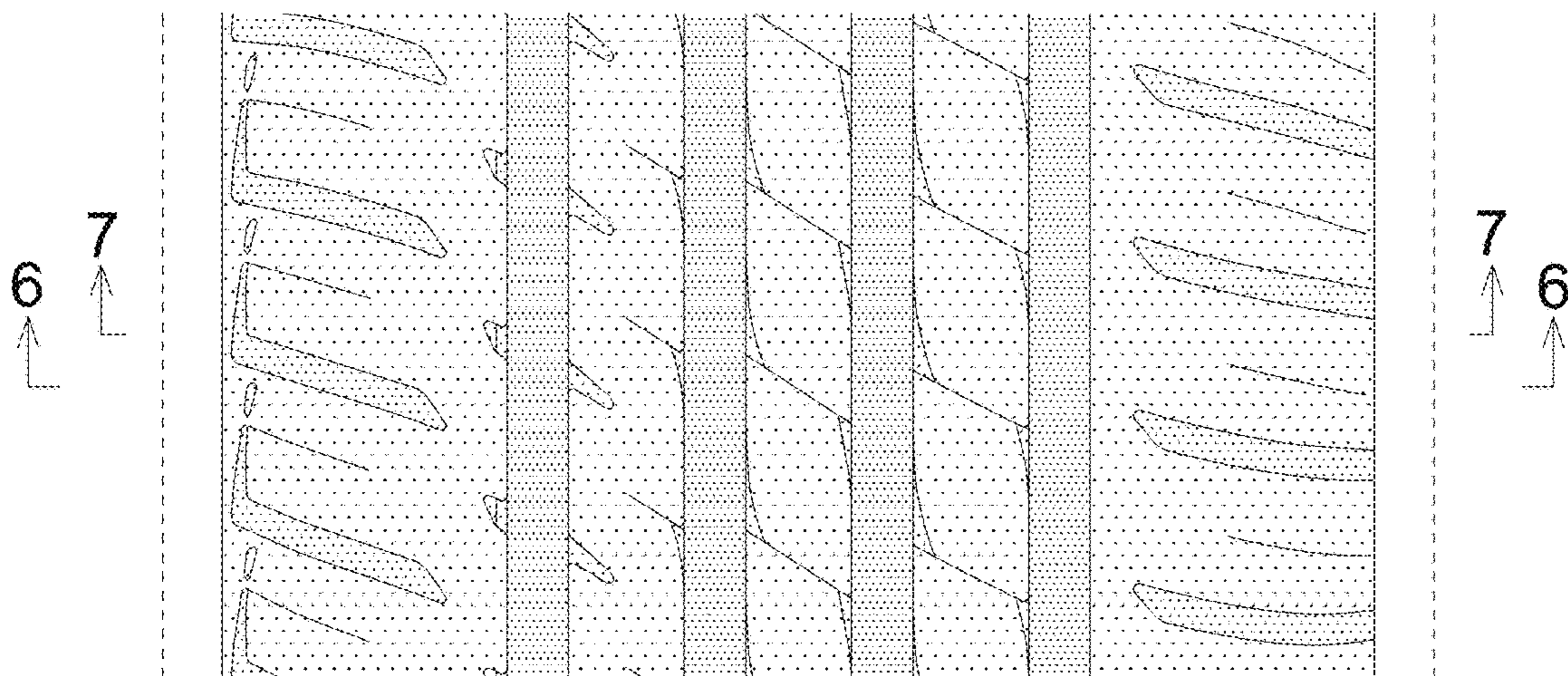
*FIG. 3*



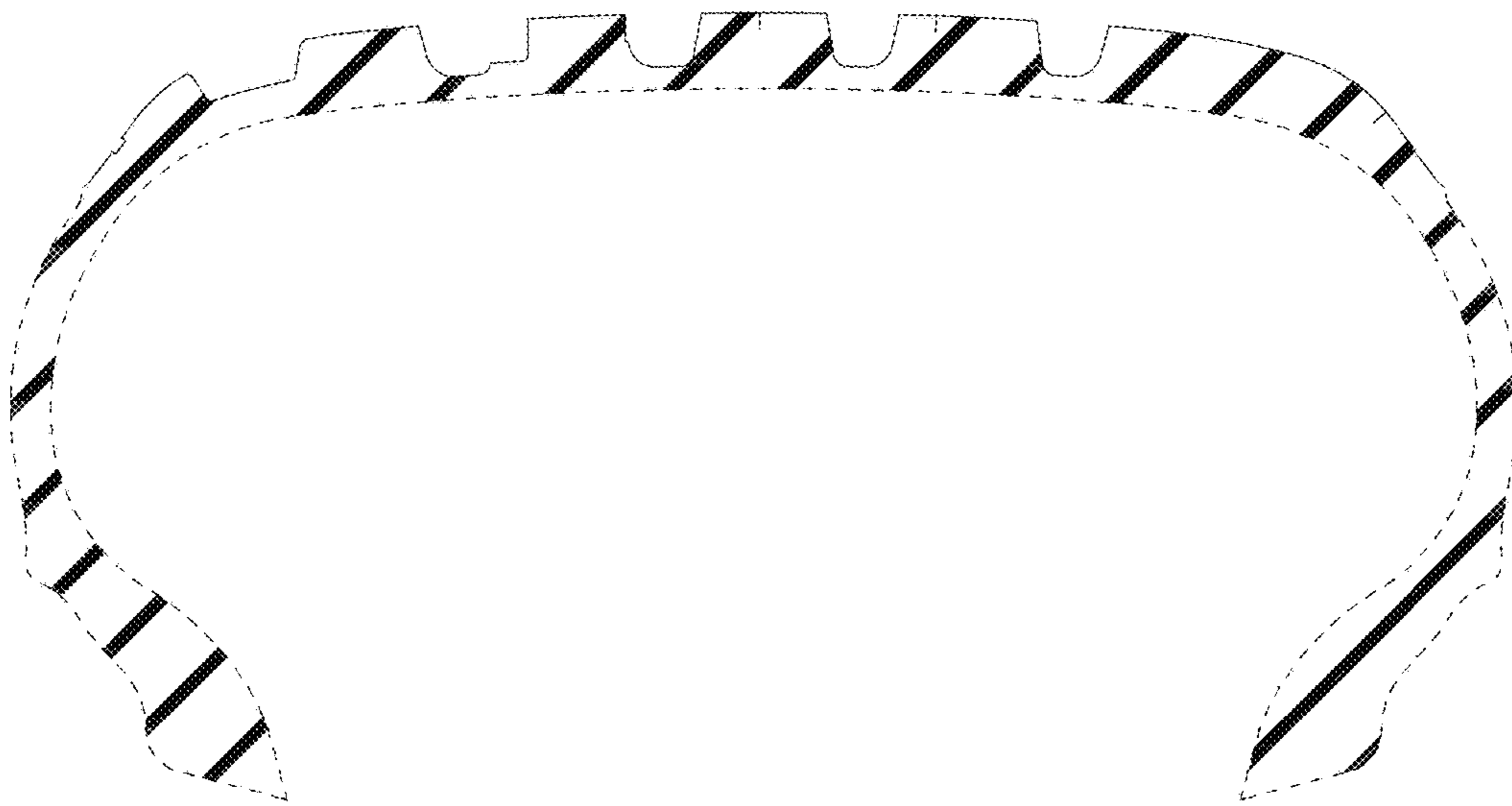
*FIG. 4*



*FIG. 5*



*FIG. 6*



*FIG. 7*

