



US00D786774S

(12) **United States Design Patent** (10) **Patent No.:** **US D786,774 S**
Sanae (45) **Date of Patent:** **** May 16, 2017**

(54) **TIRE FOR AUTOMOBILE**
(71) Applicant: **SUMITOMO RUBBER INDUSTRIES, LTD.**, Kobe-shi, Hyogo (JP)

D710,290 S * 8/2014 Leconte D12/517
D721,030 S * 1/2015 Kato D12/517
D726,098 S * 4/2015 Sanae D12/517
D734,707 S * 7/2015 Bogenschuetz D12/517
D744,406 S * 12/2015 Bosch Alsina D12/521

(72) Inventor: **Ryuhei Sanae**, Kobe (JP)
(73) Assignee: **SUMITOMO RUBBER INDUSTRIES, LTD.**, Kobe-Shi (JP)

FOREIGN PATENT DOCUMENTS

JP D1499864 S 6/2014

* cited by examiner

(**) Term: **14 Years**

Primary Examiner — Stacia Cadmus

(21) Appl. No.: **29/498,327**

(74) *Attorney, Agent, or Firm* — Birch, Stewart, Kolasch & Birch, LLP

(22) Filed: **Aug. 1, 2014**

(57) **CLAIM**

(30) **Foreign Application Priority Data**

The ornamental design for a tire for automobile, as shown and described.

Feb. 5, 2014 (JP) 2014-002310

(51) **LOC (10) Cl.** **12-15**

DESCRIPTION

(52) **U.S. Cl.**
USPC **D12/521**

(58) **Field of Classification Search**
USPC D12/505–532
CPC B60C 11/0304; B60C 11/0302; B60C 11/0306; B60C 11/0309; B60C 11/0318; B60C 11/0311; B60C 11/042; B60C 11/13; B60C 11/00; B60C 11/11; B60C 11/12

FIG. 1 is a front, left perspective view of a tire for automobile showing my new design;
FIG. 2 is a front view thereof;
FIG. 3 is a left side view thereof;
FIG. 4 is a rear view thereof;
FIG. 5 is a right side view thereof; and,
FIG. 6 is a partial enlarged view of FIG. 2.

See application file for complete search history.

The top view and the bottom view are the same as the front view.

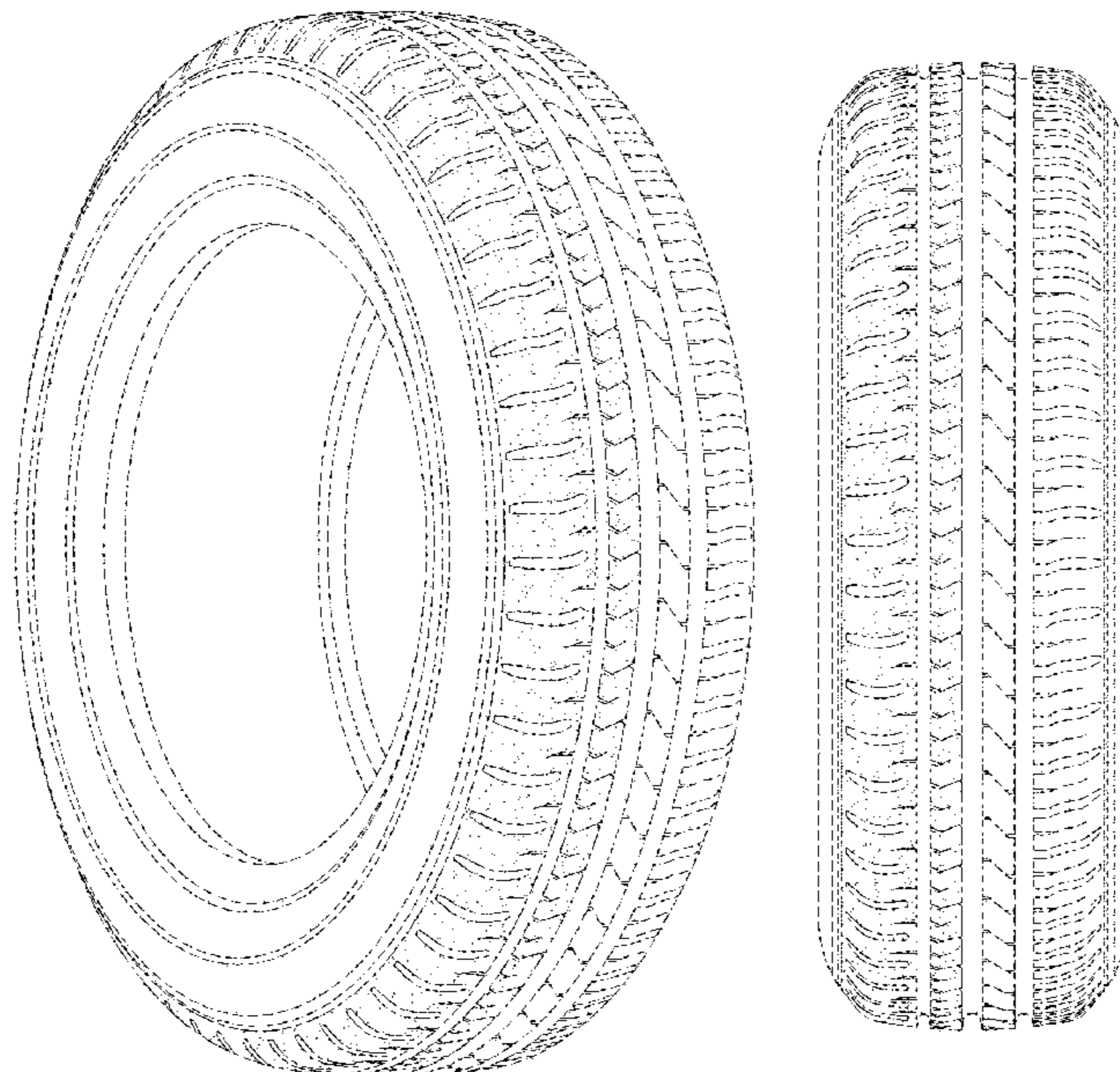
(56) **References Cited**

In the drawings, the broken lines depict environmental subject matter only and form no part of the claimed design. The dash-dot-dash lines in FIGS. 1-4 and 6 define the bounds of the claimed design and form no part thereof. The dash-dot-dash lines in FIG. 6 define the bounds of the enlarged fragmentary view of the claimed design and form no part thereof.

U.S. PATENT DOCUMENTS

D483,003 S * 12/2003 Shirouzo D12/517
D558,128 S * 12/2007 Delu D12/521
D661,242 S * 6/2012 Schmidt-Zum Berge ... D12/517
D665,335 S * 8/2012 Baumard D12/517
D709,819 S * 7/2014 Herbst D12/521

1 Claim, 6 Drawing Sheets



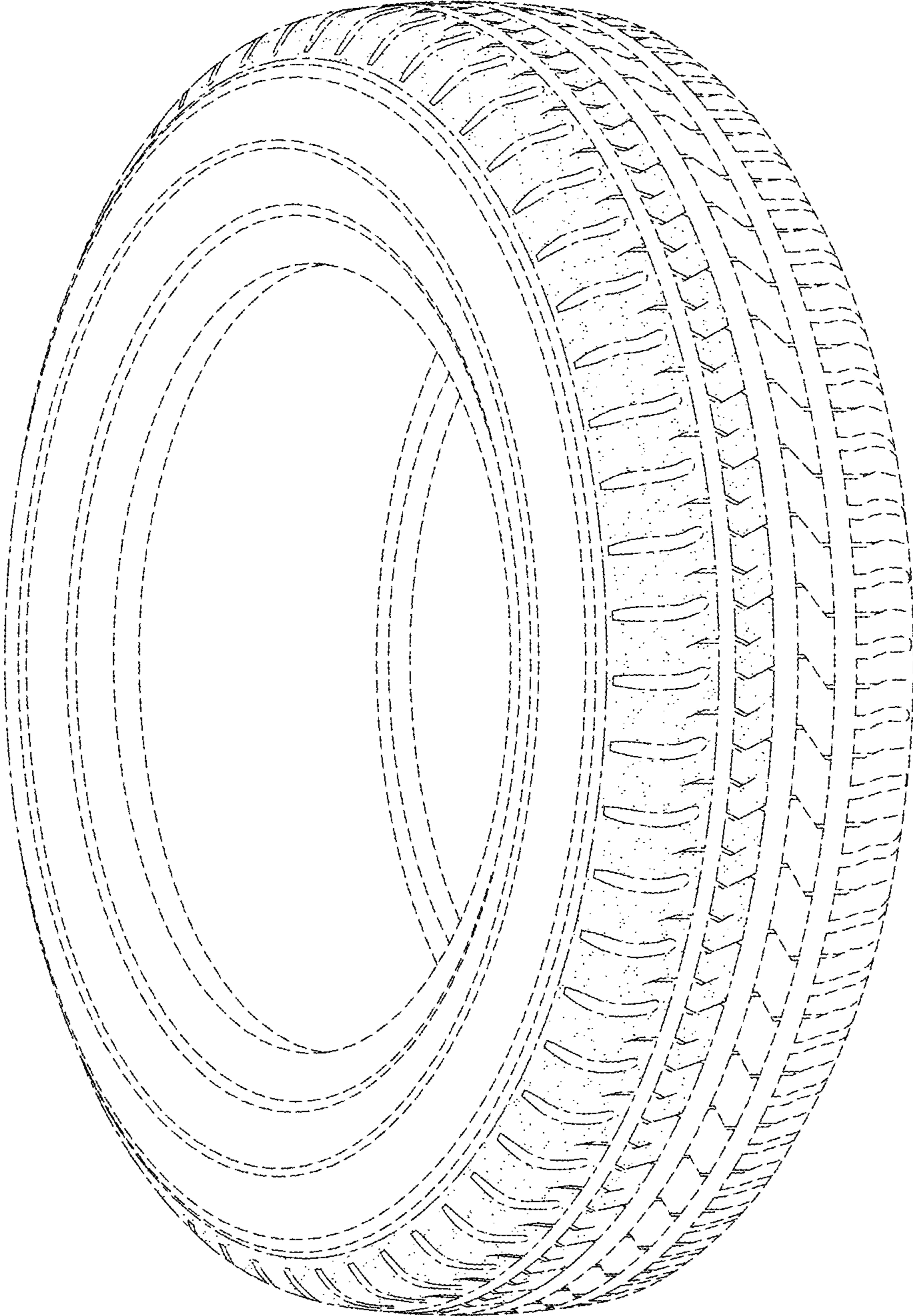


FIG.1

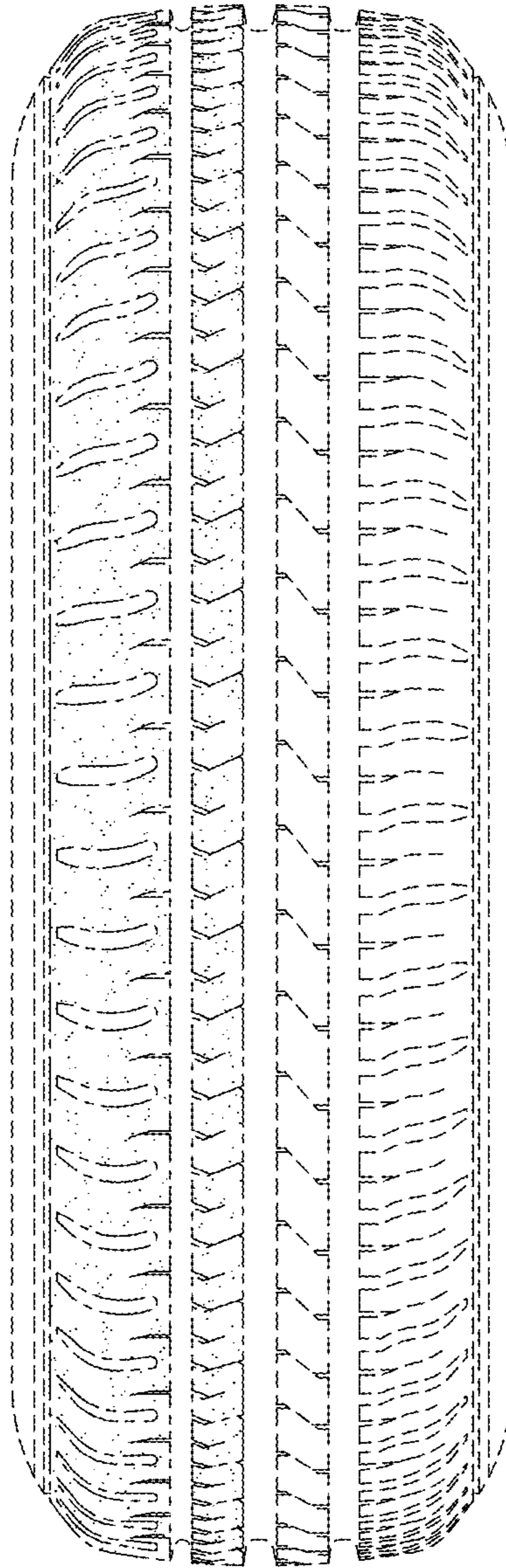


FIG.2

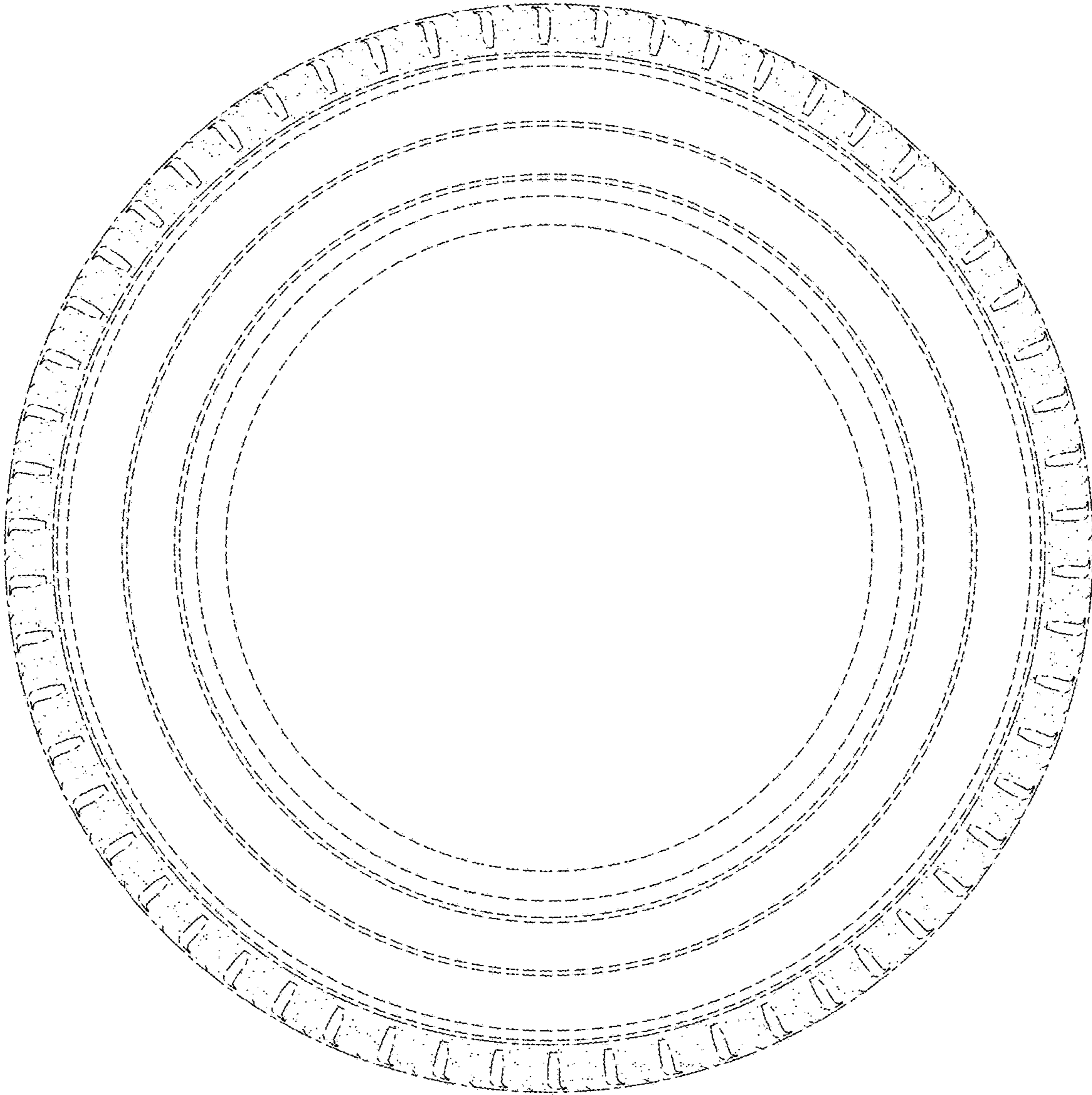


FIG.3

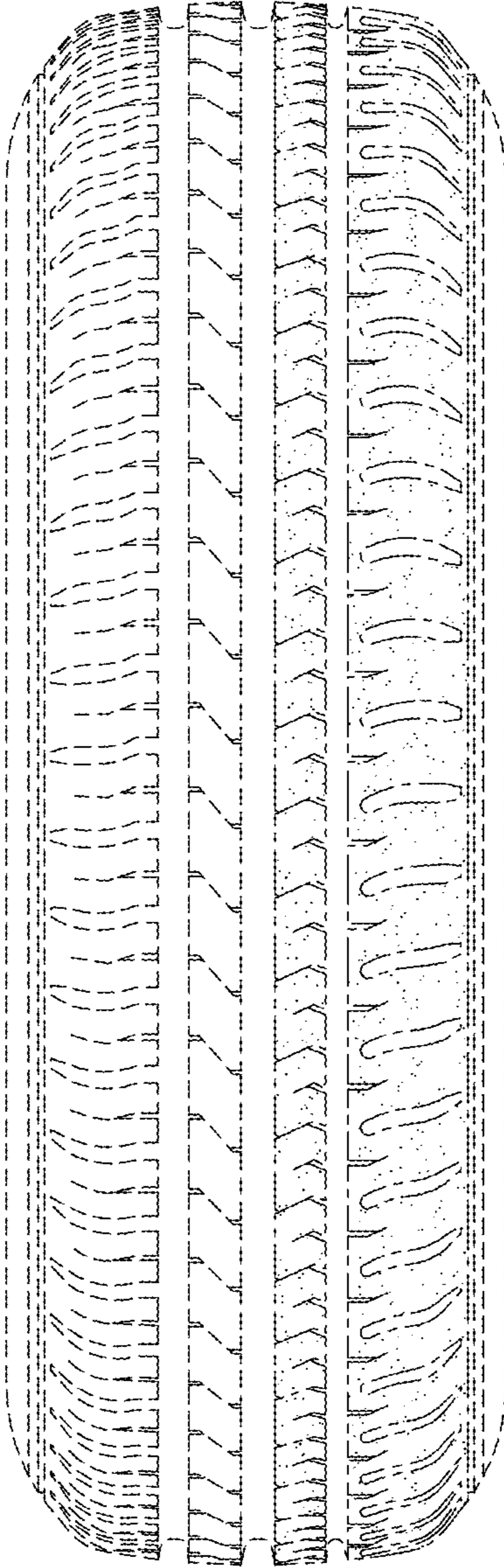


FIG.4

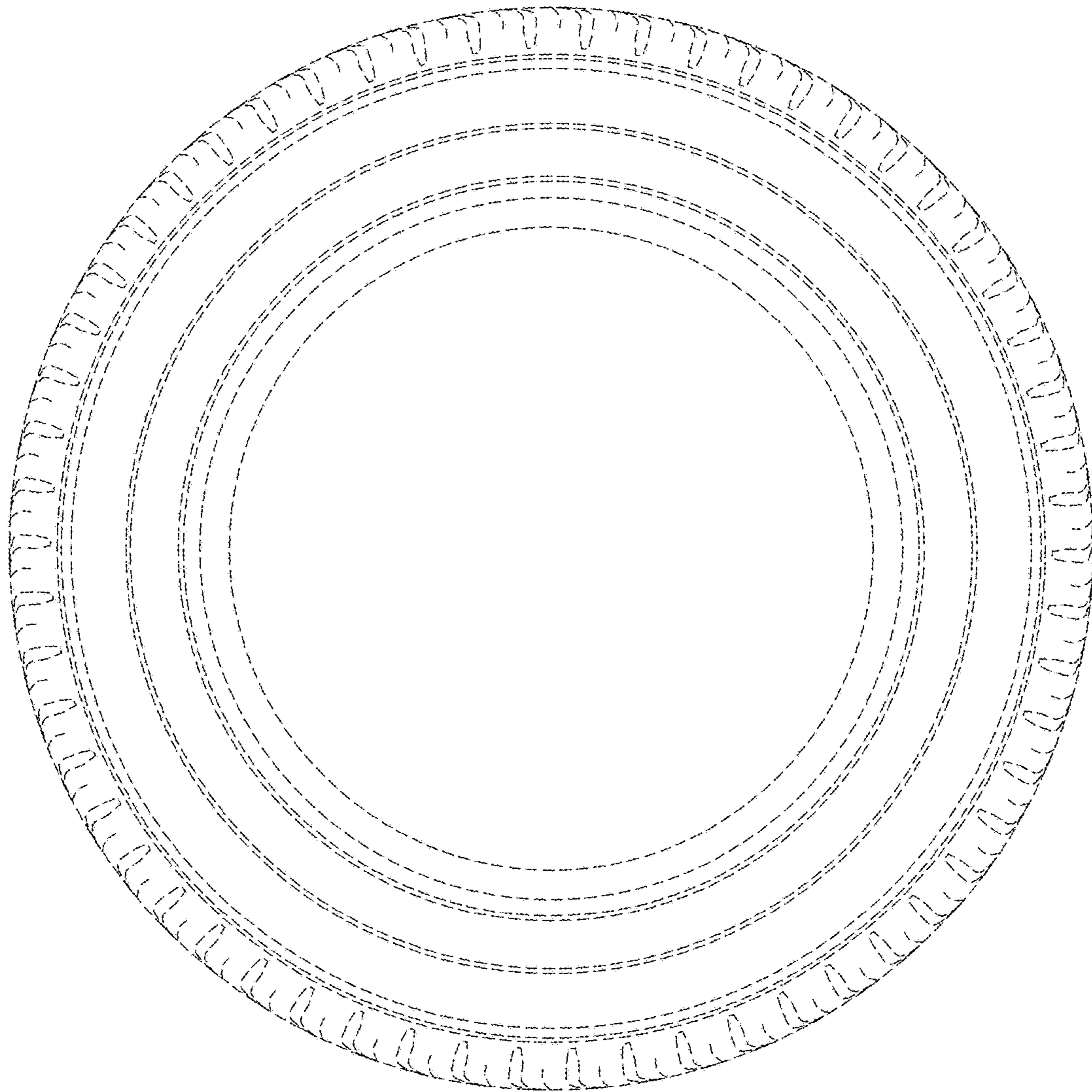


FIG.5

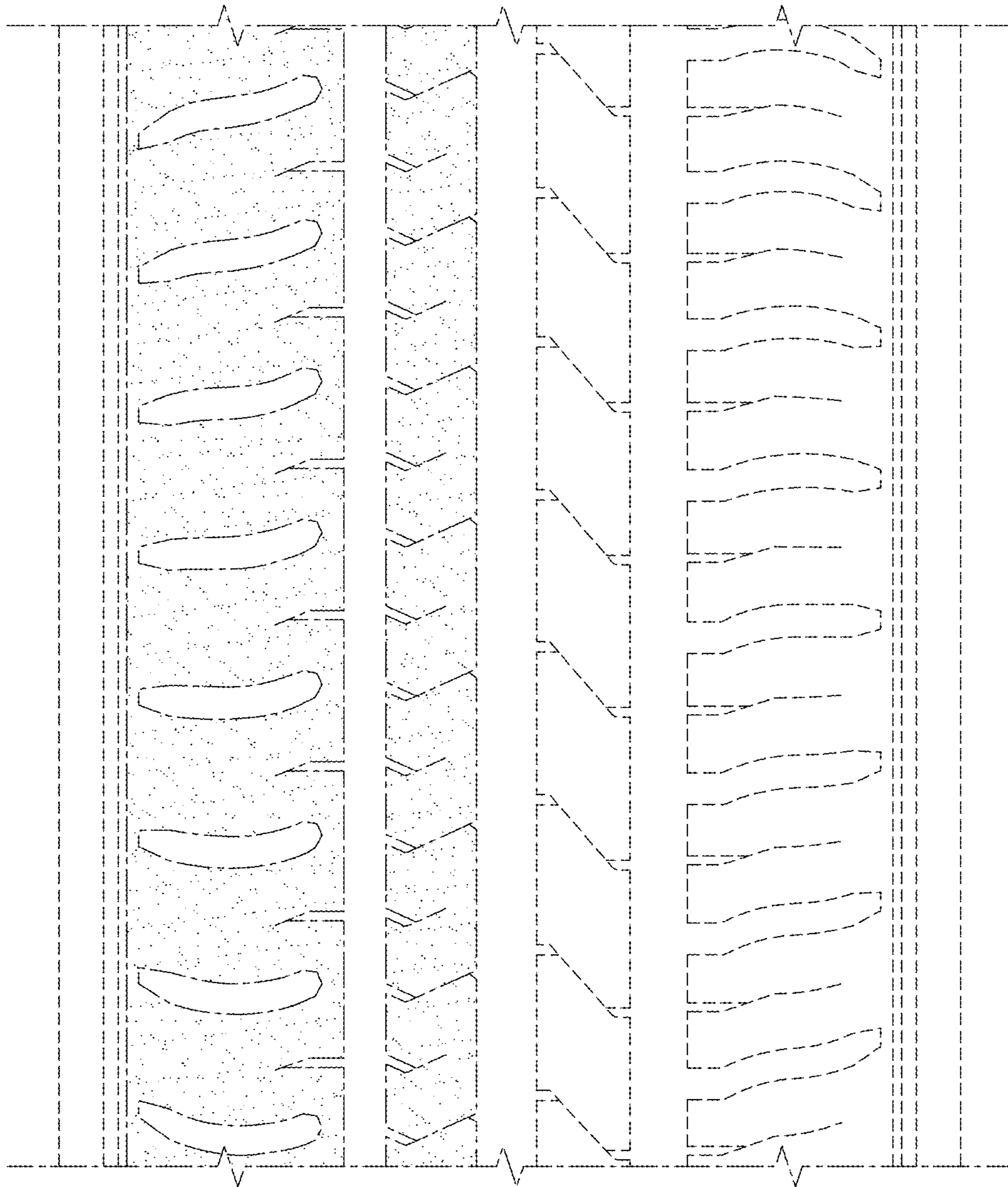


FIG.6