



US00D786773S

(12) **United States Design Patent** (10) **Patent No.:** **US D786,773 S**
Raatikainen et al. (45) **Date of Patent:** **** May 16, 2017**

- (54) **TIRE TREAD**
- (71) Applicants: **Jouni Juhani Raatikainen**, Lempäälä (FI); **Henri Sakari Kossi**, Nokia (FI); **Marko Christer Johannes Ylitolva**, Nokia (FI)
- (72) Inventors: **Jouni Juhani Raatikainen**, Lempäälä (FI); **Henri Sakari Kossi**, Nokia (FI); **Marko Christer Johannes Ylitolva**, Nokia (FI)
- (73) Assignee: **BLACK DONUTS ENGINEERING OY**, Pirkkala (FI)
- (**) Term: **15 Years**
- (21) Appl. No.: **29/568,281**
- (22) Filed: **Jun. 16, 2016**
- (30) **Foreign Application Priority Data**
Dec. 17, 2015 (EM) 002913939-0002
- (51) **LOC (10) Cl.** **12-15**
- (52) **U.S. Cl.**
USPC **D12/519**
- (58) **Field of Classification Search**
USPC D12/505-532, 900
CPC B60C 1/0016; B60C 11/0306; B60C 11/0302; B60C 3/06; B60C 9/17
See application file for complete search history.

- (56) **References Cited**
U.S. PATENT DOCUMENTS
D601,939 S * 10/2009 Fontaine D12/519
D647,456 S * 10/2011 Behr D12/519
D648,668 S * 11/2011 Kujime D12/519
D702,627 S 4/2014 Raatikainen et al.

- D721,322 S 1/2015 Raatikainen et al.
- D729,147 S * 5/2015 Perrier D12/518
- D733,038 S 6/2015 Raatikainen et al.
- D743,872 S * 11/2015 Huang D12/519
- D753,049 S * 4/2016 Koishikawa D12/523
- D758,954 S * 6/2016 Albouy D12/518
- D772,143 S * 11/2016 Kaneko D12/519

OTHER PUBLICATIONS

Design U.S. Appl. No. 29/530,655, filed Jun. 18, 2015, entitled Tire Tread, Inventors: Raatikainen et al.
 Design U.S. Appl. No. 29/530,658, filed Jun. 18, 2015, entitled Tire Tread, Inventors: Raatikainen et al.
 Design U.S. Appl. No. 29/530,662, filed Jun. 18, 2015, entitled Tire Tread, Inventors: Raatikainen et al.
 Design U.S. Appl. No. 29/546,676, filed Nov. 24, 2015, entitled Tire Tread, Inventors: Raatikainen et al.
 Design U.S. Appl. No. 29/546,677, filed Nov. 24, 2015, entitled Tire Tread, Inventors: Kossi et al.

(Continued)

Primary Examiner — Robert M Spear
Assistant Examiner — John Voytek
 (74) *Attorney, Agent, or Firm* — Thompson Hine LLP

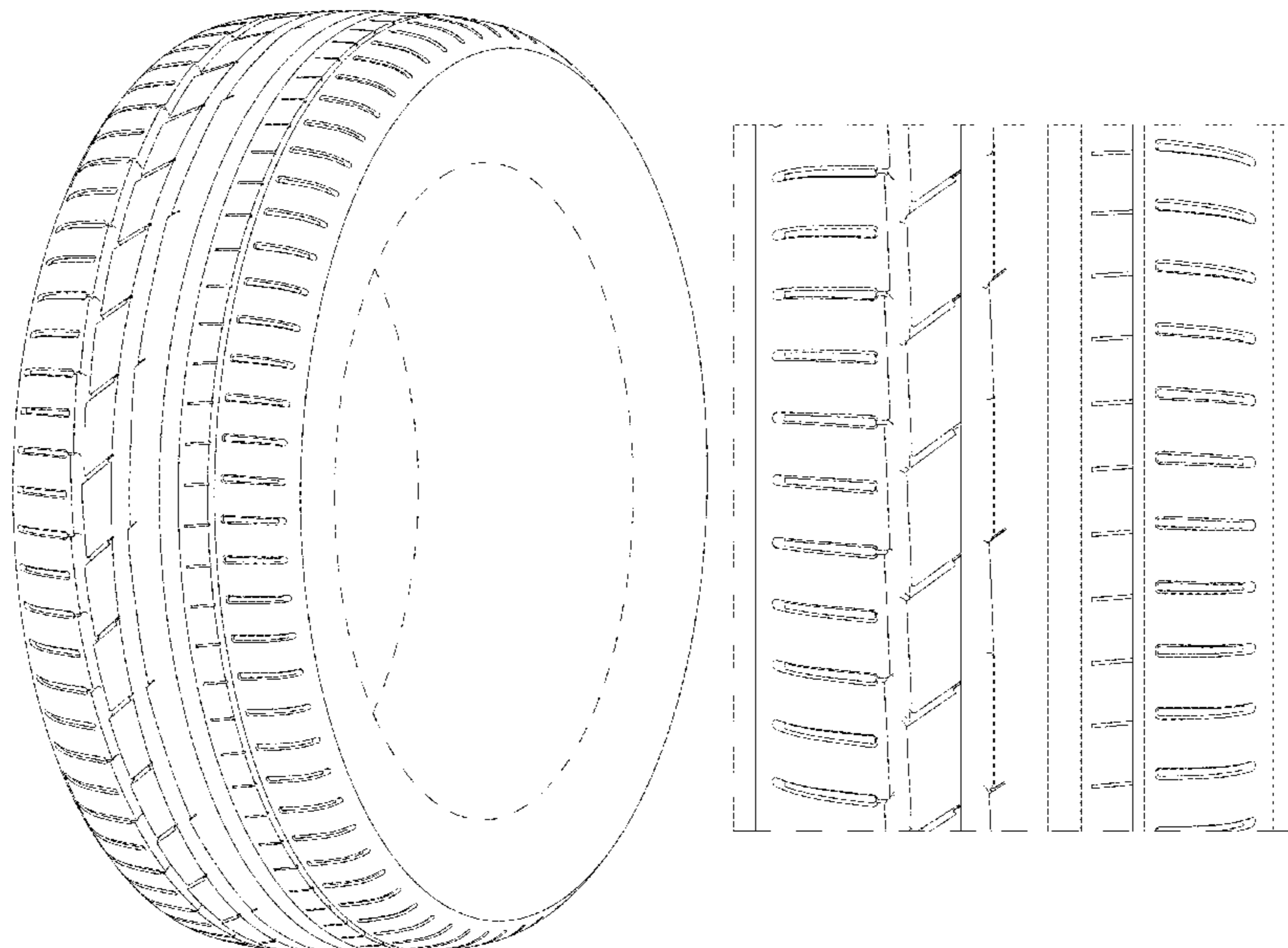
(57) **CLAIM**

The ornamental design for tire tread, as shown and described.

DESCRIPTION

FIG. 1 is a perspective view of the design;
 FIG. 2 is a front view of the design of FIG. 1;
 FIG. 3 is a side view of a first side of the design of FIG. 1;
 FIG. 4 is a side view of a second side of the design of FIG. 1; and,
 FIG. 5 is a detail view of a portion of FIG. 1.
 In the drawings, the broken lines depict environmental subject matter only and form no part of the claimed design.

1 Claim, 5 Drawing Sheets



(56)

References Cited

OTHER PUBLICATIONS

Design U.S. Appl. No. 29/546,679, filed Nov. 24, 2015, entitled Tire Tread, Inventors: Raatikainen et al.

Design U.S. Appl. No. 29/546,681, filed Nov. 24, 2015, entitled Tire Tread, Inventors: Raatikainen et al.

Design U.S. Appl. No. 29/555,396, filed Feb. 22, 2016, entitled Tire Tread, Inventors: Raatikainen et al.

Design U.S. Appl. No. 29/557,624, filed Mar. 10, 2016, entitled Tire Tread, Inventors: Raatikainen et al.

Design U.S. Appl. No. 29/557,626, filed Mar. 10, 2016, entitled Tire Tread, Inventors: Raatikainen et al.

* cited by examiner

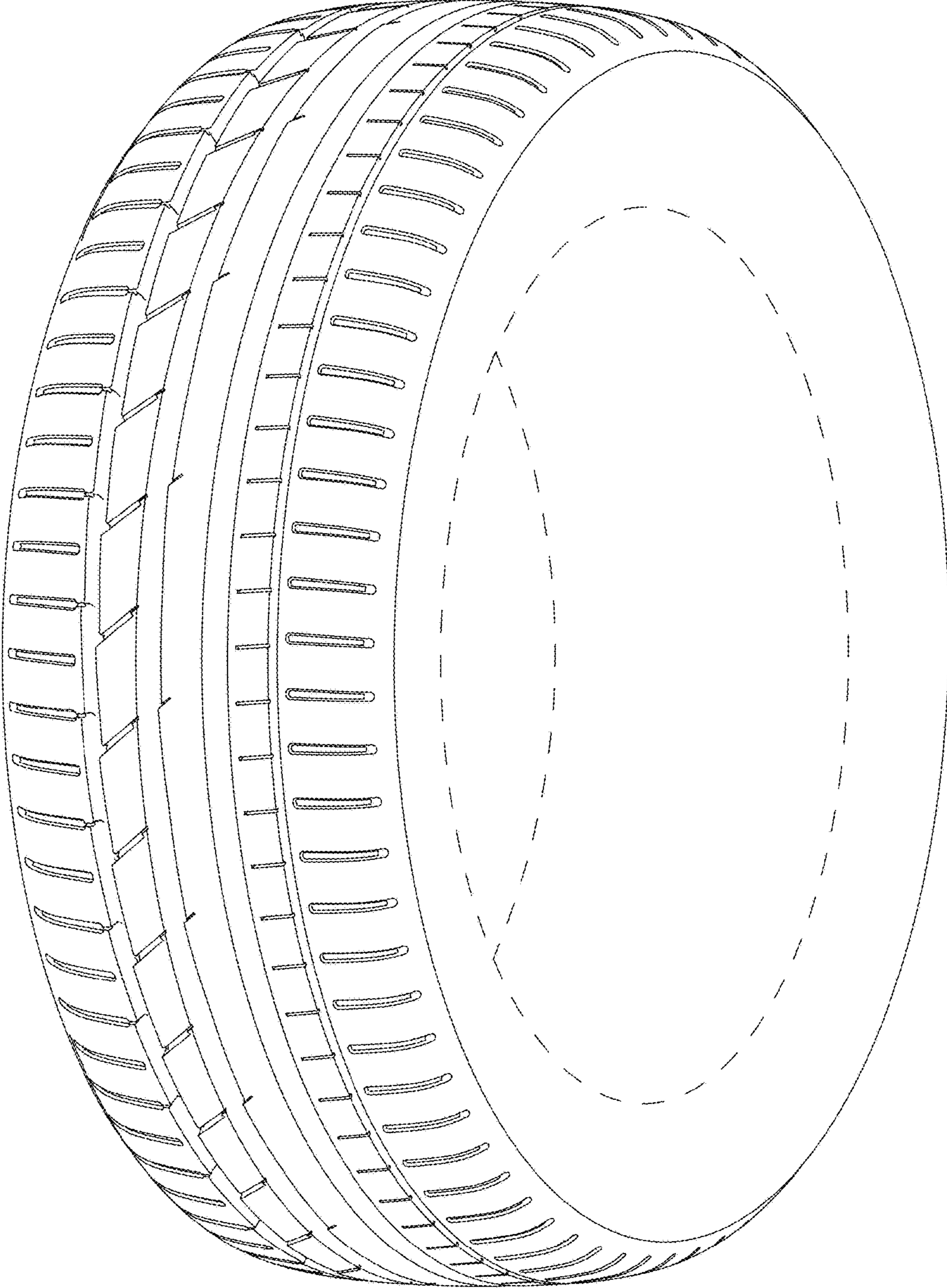


FIG. 1

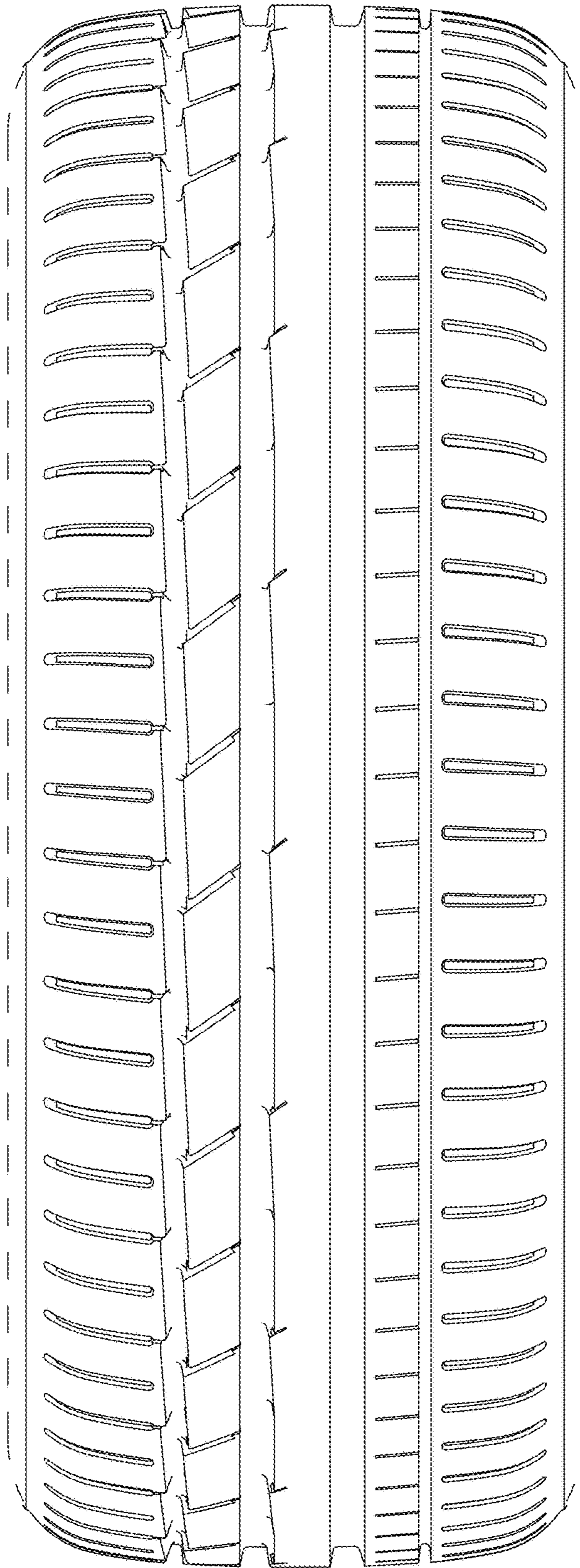


FIG. 2

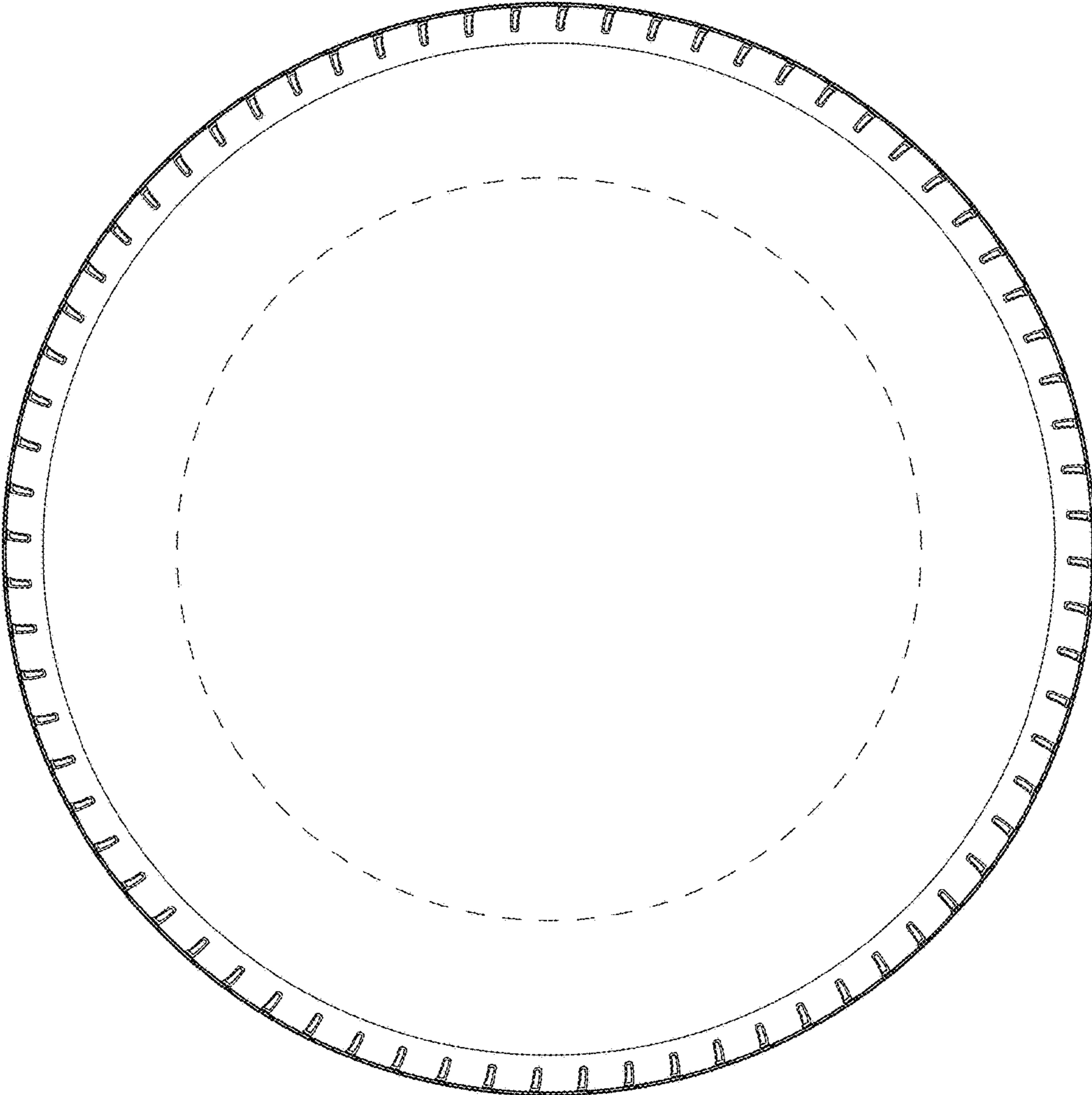


FIG. 3

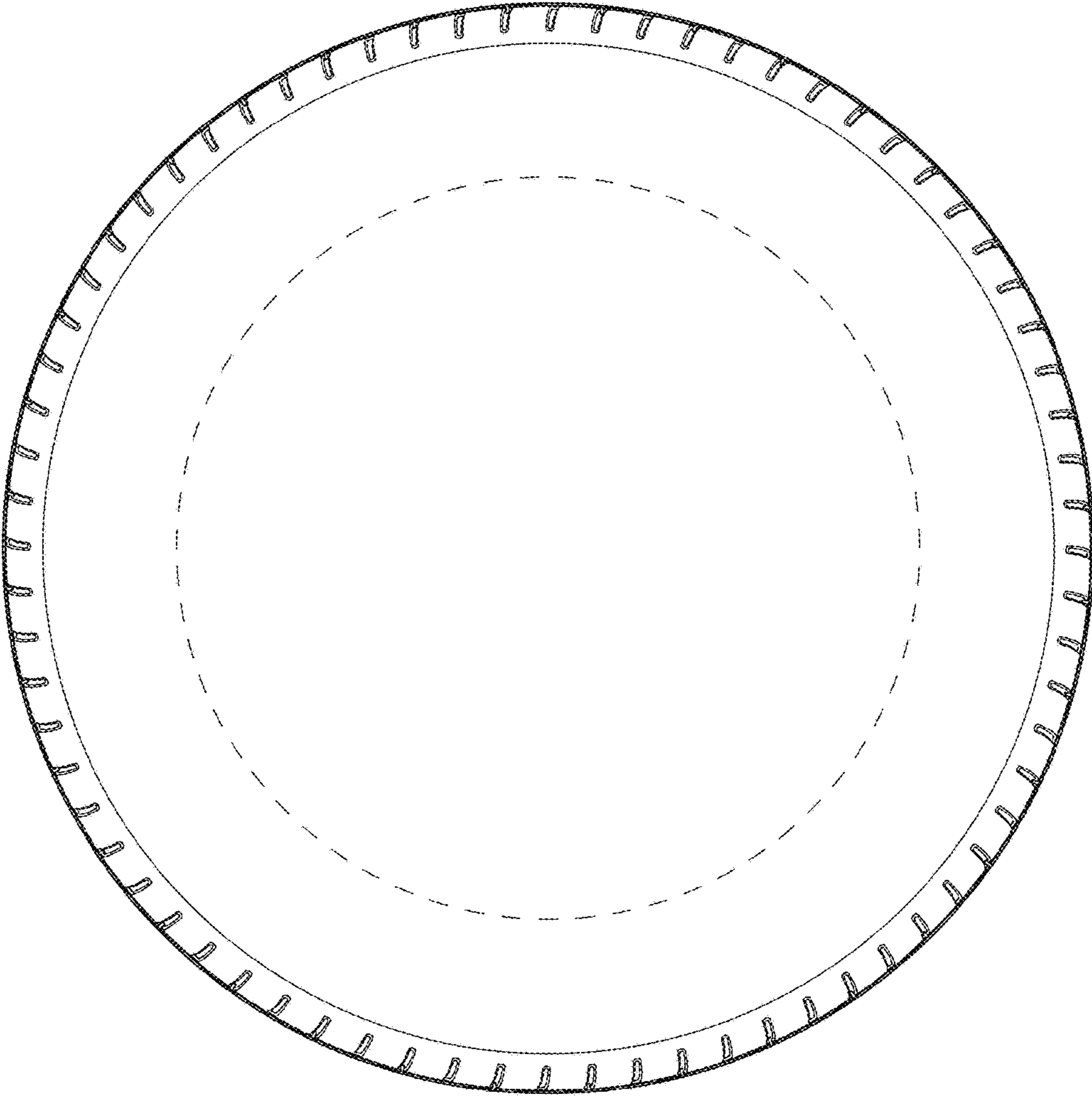


FIG. 4

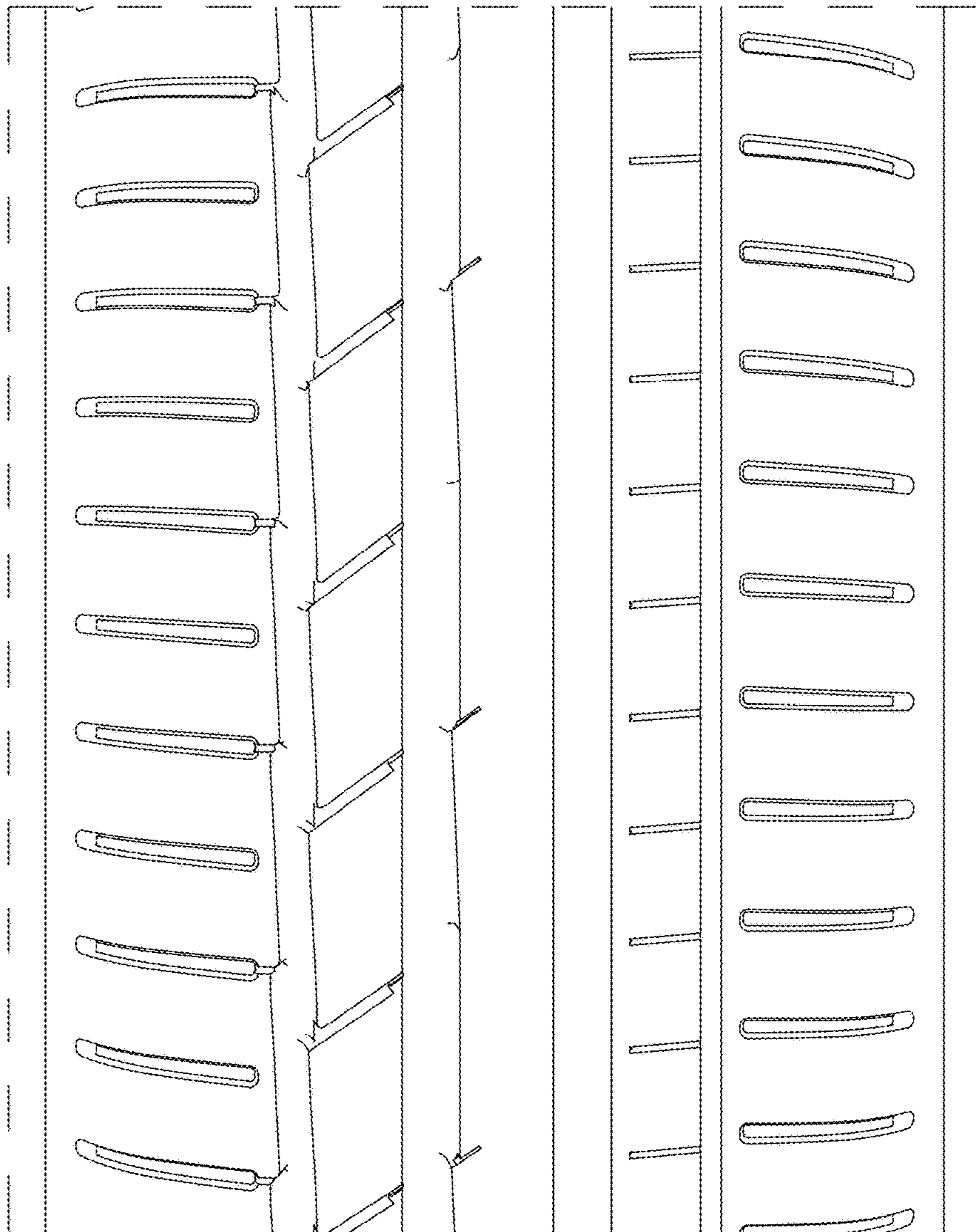


FIG. 5