



US00D786771S

(12) **United States Design Patent** (10) **Patent No.:** **US D786,771 S**  
**Eriksson et al.** (45) **Date of Patent:** **\*\* May 16, 2017**

(54) **CARGO BOX**  
(71) Applicant: **Thule Sweden AB**, Hillerstorp (SE)  
(72) Inventors: **Henrik Eriksson**, Jönköping (SE); **Jan Adler**, Skillingaryd (SE); **Fredrik Fransson**, Värnamo (SE)  
(73) Assignee: **Thule Sweden AB**, Hillerstorp (SE)  
(\*\*) Term: **15 Years**  
(21) Appl. No.: **29/558,286**  
(22) Filed: **Mar. 16, 2016**  
(51) **LOC (10) Cl.** ..... **12-16**  
(52) **U.S. Cl.**  
USPC ..... **D12/413**  
(58) **Field of Classification Search**  
USPC ... D12/413, 414, 414.1, 412, 221, 406, 157,  
D12/423, 414.4; D6/552, 317-319,  
D6/513-514; D3/304-306; D32/35, 58  
CPC ..... B60R 9/055; B60R 9/04; B60R 7/02  
See application file for complete search history.

D722,006 S 2/2015 Settelmayer et al.  
D726,638 S 4/2015 Rupp et al.  
D739,336 S \* 9/2015 Berrey ..... D12/413  
D746,217 S 12/2015 Gruner  
9,290,131 B2 \* 3/2016 Sautter ..... B60R 9/055  
D774,442 S \* 12/2016 Adler ..... D12/413  
2012/0111910 A1 \* 5/2012 Sautter ..... B60R 9/055  
224/309

**OTHER PUBLICATIONS**

U.S. Appl. No. 29/532,086, filed Jul. 1, 2015; Adler et al.

\* cited by examiner

*Primary Examiner* — Katrina A Betton

(74) *Attorney, Agent, or Firm* — Sterne, Kessler, Goldstein & Fox P.L.L.C.

(57) **CLAIM**

The ornamental design for a cargo box, as shown and described.

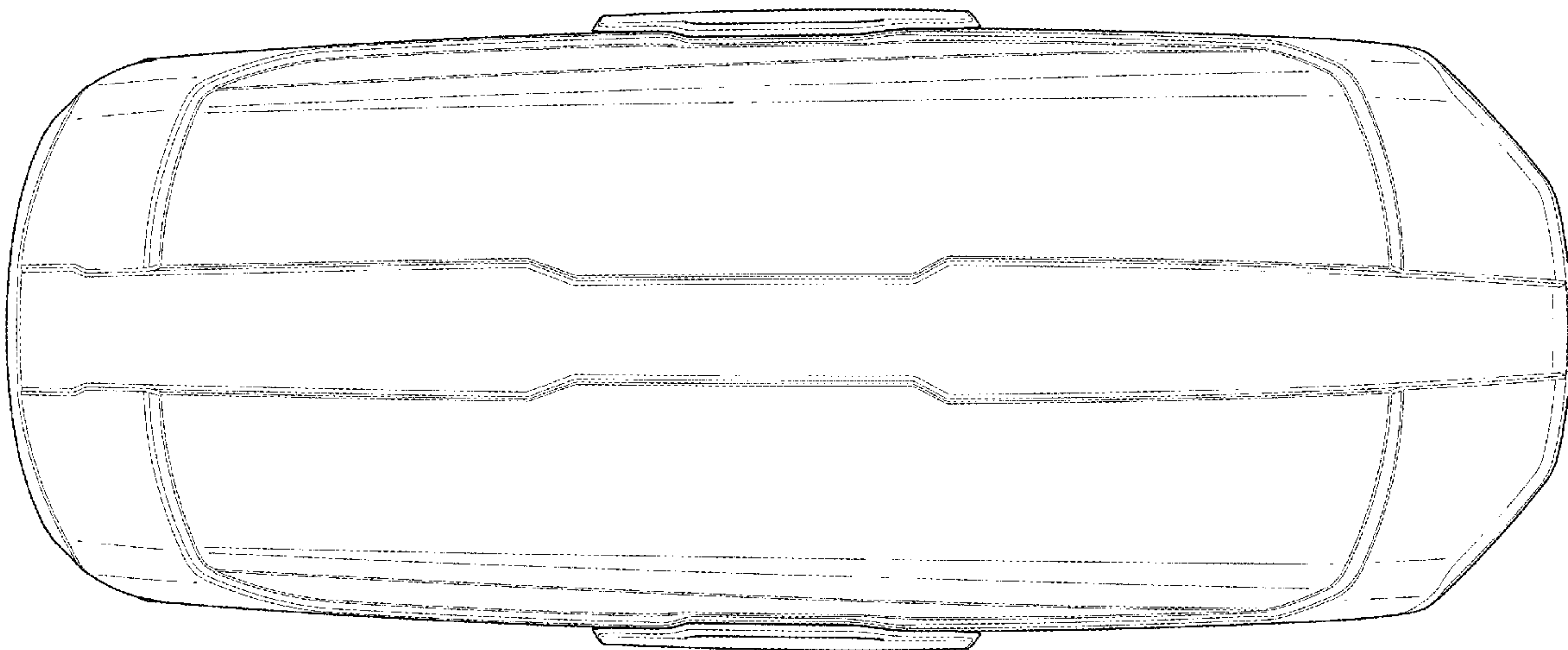
**DESCRIPTION**

FIG. 1 is a top front perspective view of a cargo box showing our new design;  
FIG. 2 is a bottom rear perspective view thereof;  
FIG. 3 is a front view thereof;  
FIG. 4 is a rear view thereof;  
FIG. 5 is a left side view thereof;  
FIG. 6 is a right side view thereof;  
FIG. 7 is a top view thereof; and,  
FIG. 8 is a bottom view thereof.

The broken lines in the figures show portions of the cargo box that form no part of the claimed design.

**1 Claim, 6 Drawing Sheets**

(56) **References Cited**  
U.S. PATENT DOCUMENTS  
D593,928 S \* 6/2009 Gruner ..... D12/413  
D626,495 S \* 11/2010 Kojoh ..... D12/413  
D628,142 S \* 11/2010 Farber ..... D12/413  
D630,157 S \* 1/2011 Farber ..... D12/413  
D642,970 S \* 8/2011 Elder ..... D12/413  
D643,798 S 8/2011 Gruner  
D656,082 S 3/2012 Gruner  
D714,211 S \* 9/2014 Berrey ..... D12/413  
D717,719 S \* 11/2014 Sagen ..... D12/413  
8,905,279 B2 \* 12/2014 Hubbard ..... B60R 9/055  
224/328



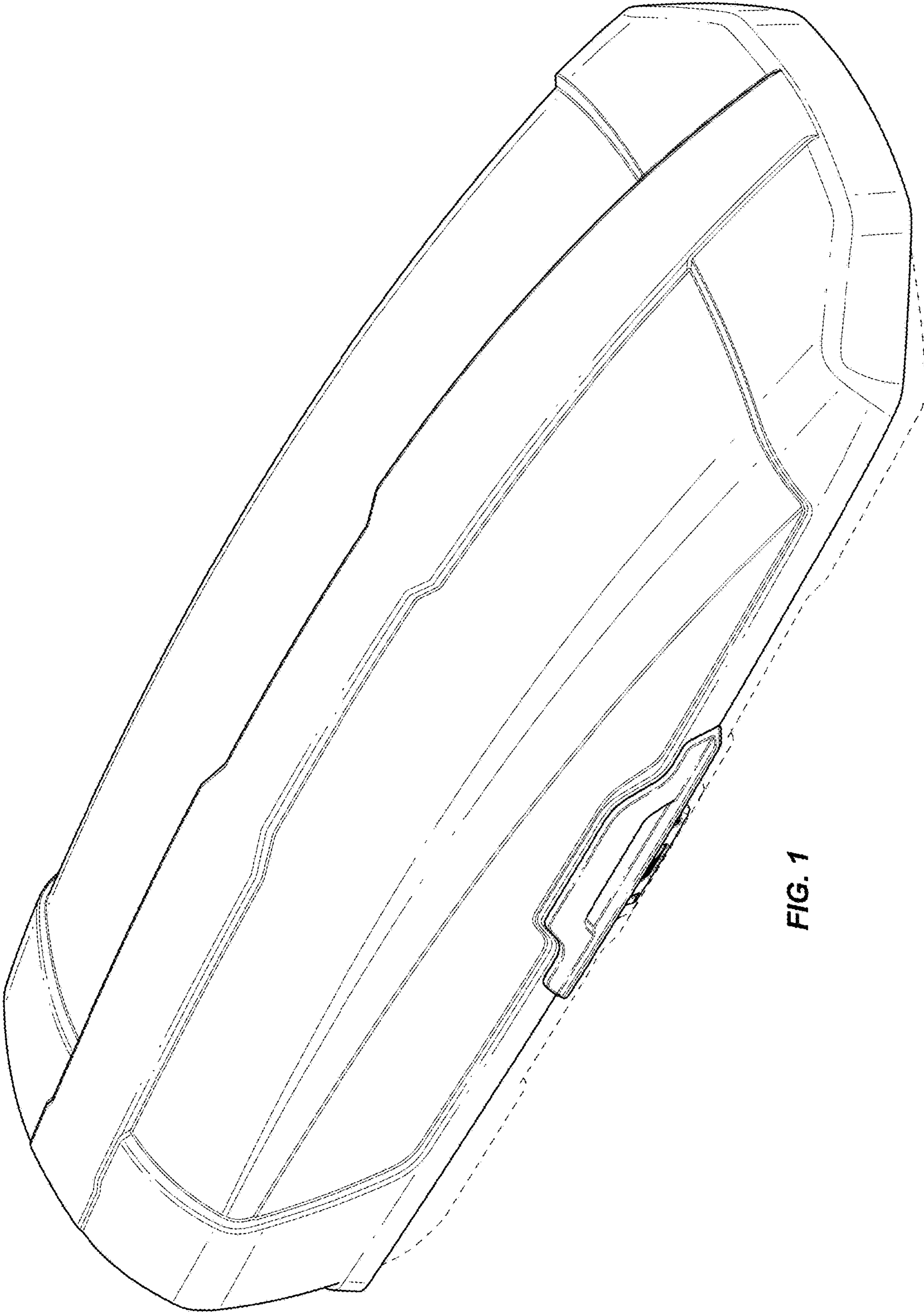


FIG. 1

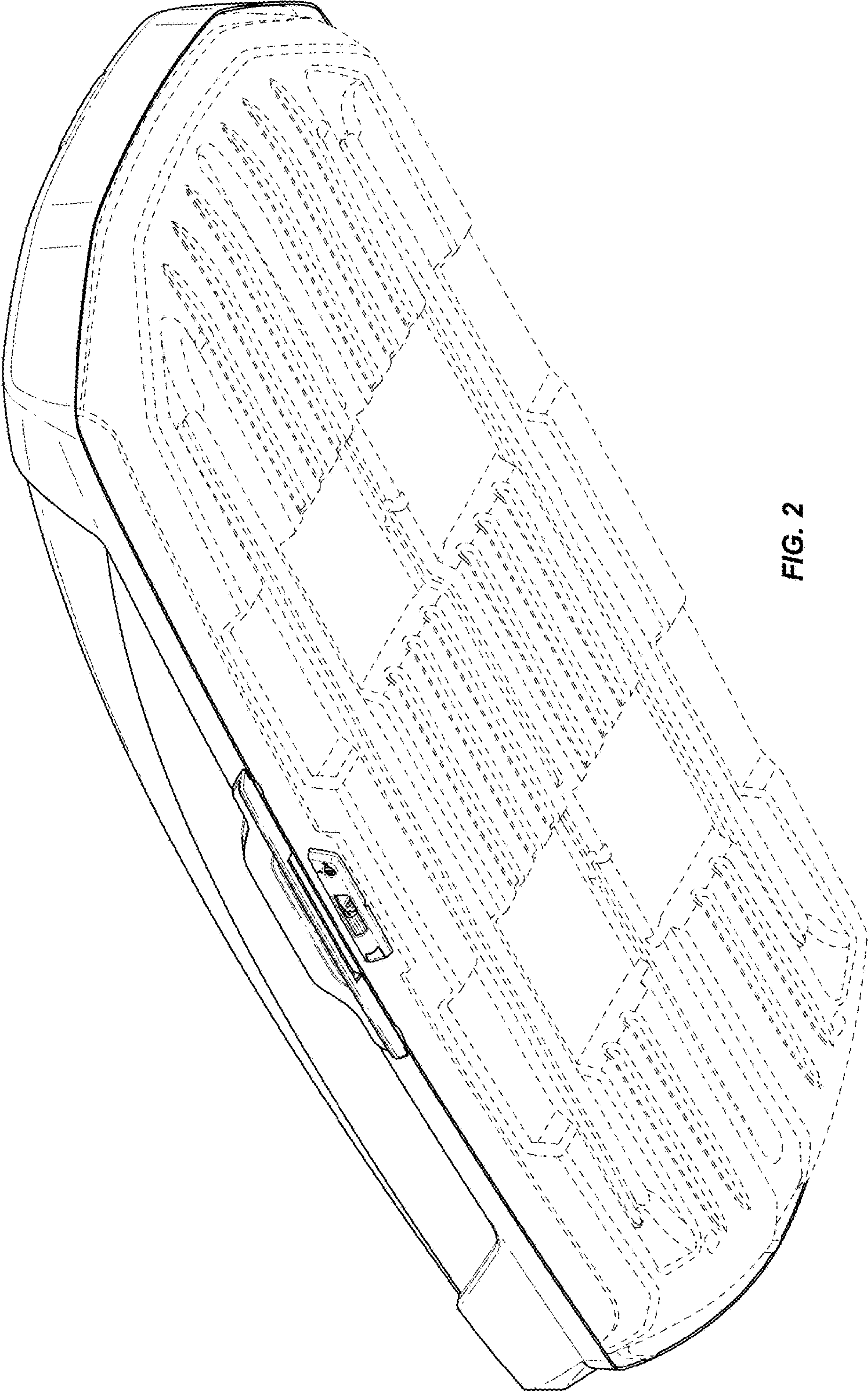


FIG. 2



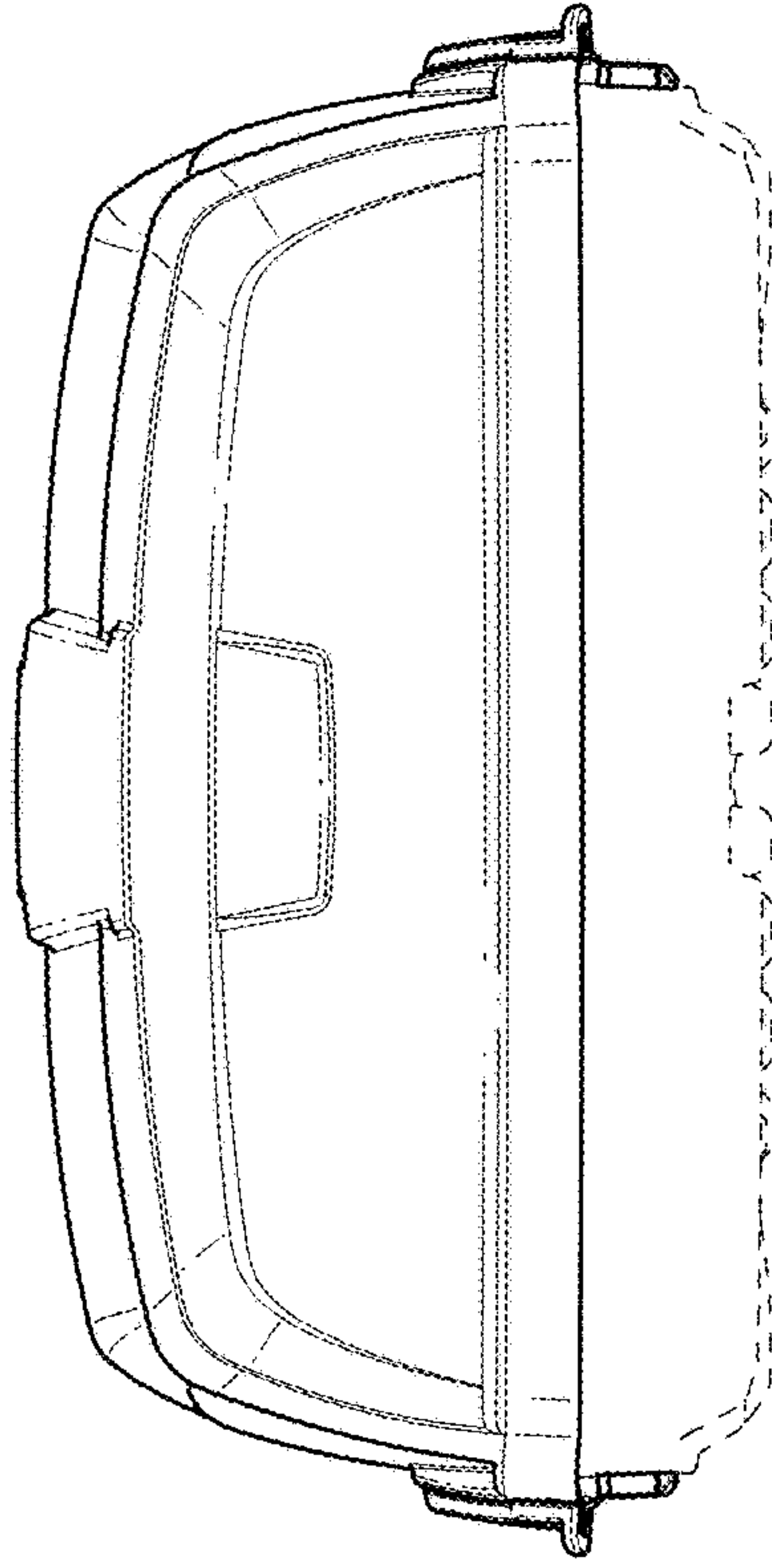


FIG. 4

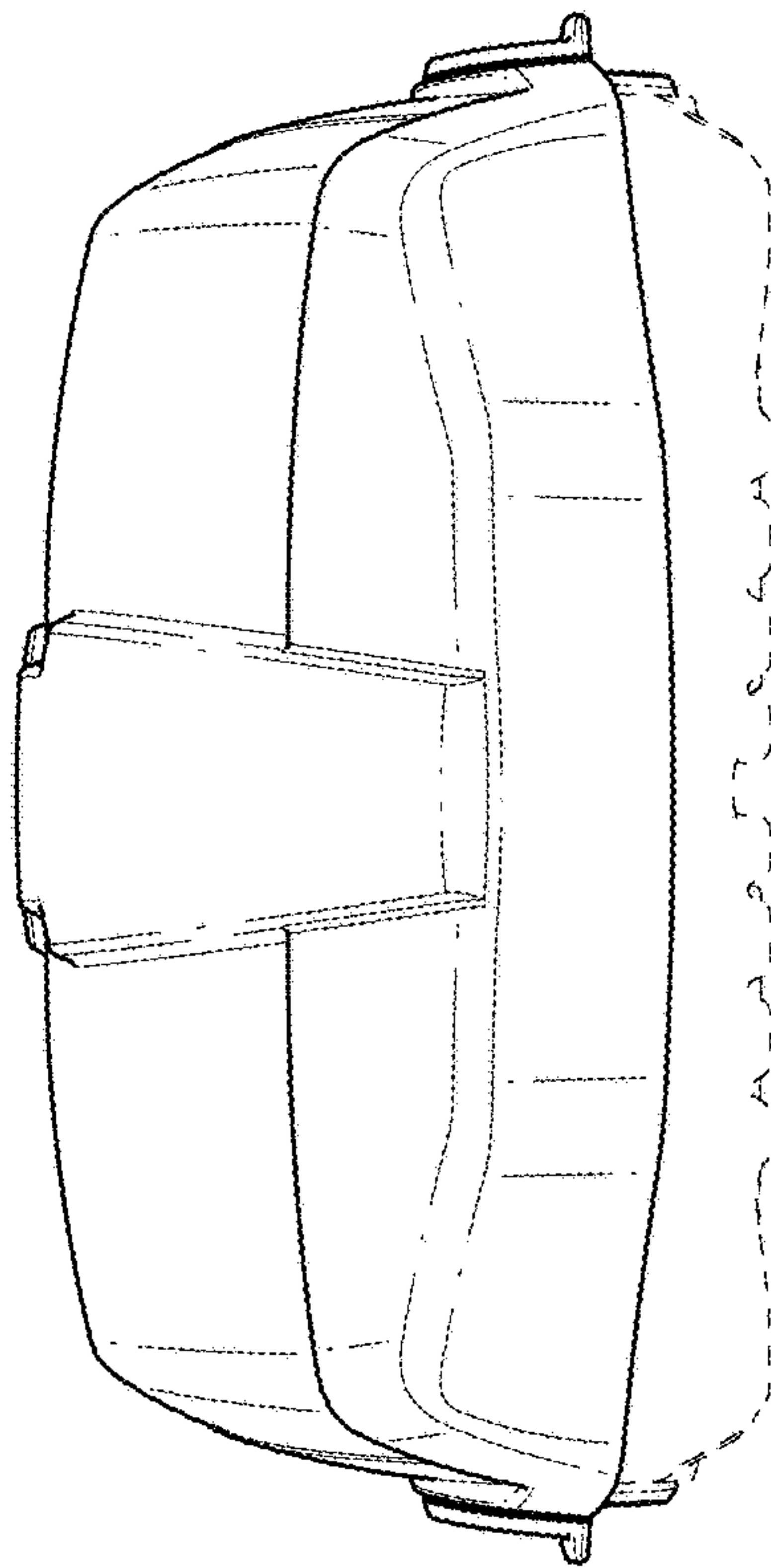


FIG. 3

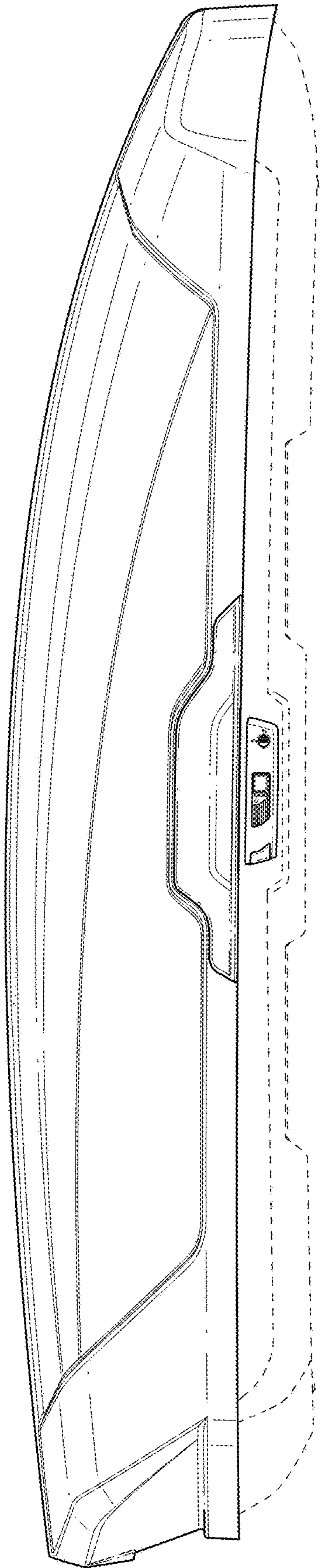


FIG. 5

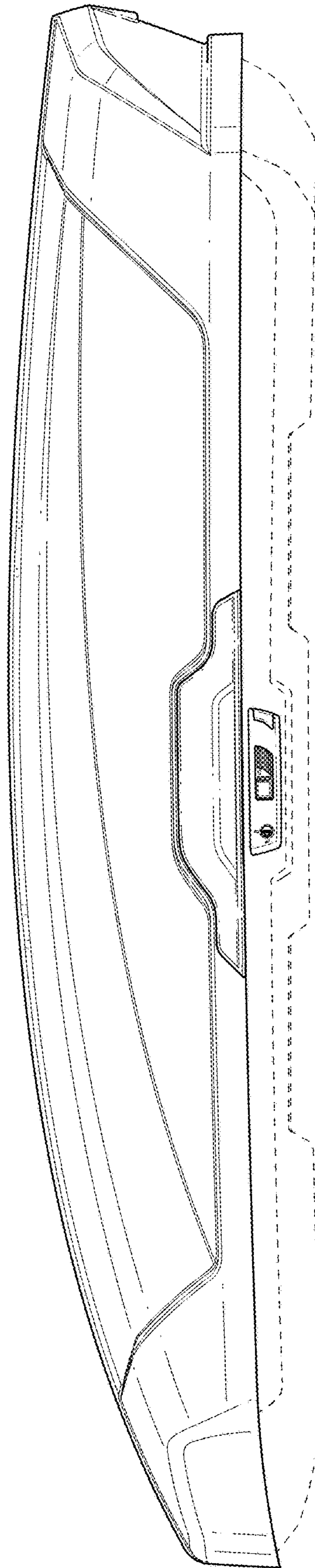


FIG. 6

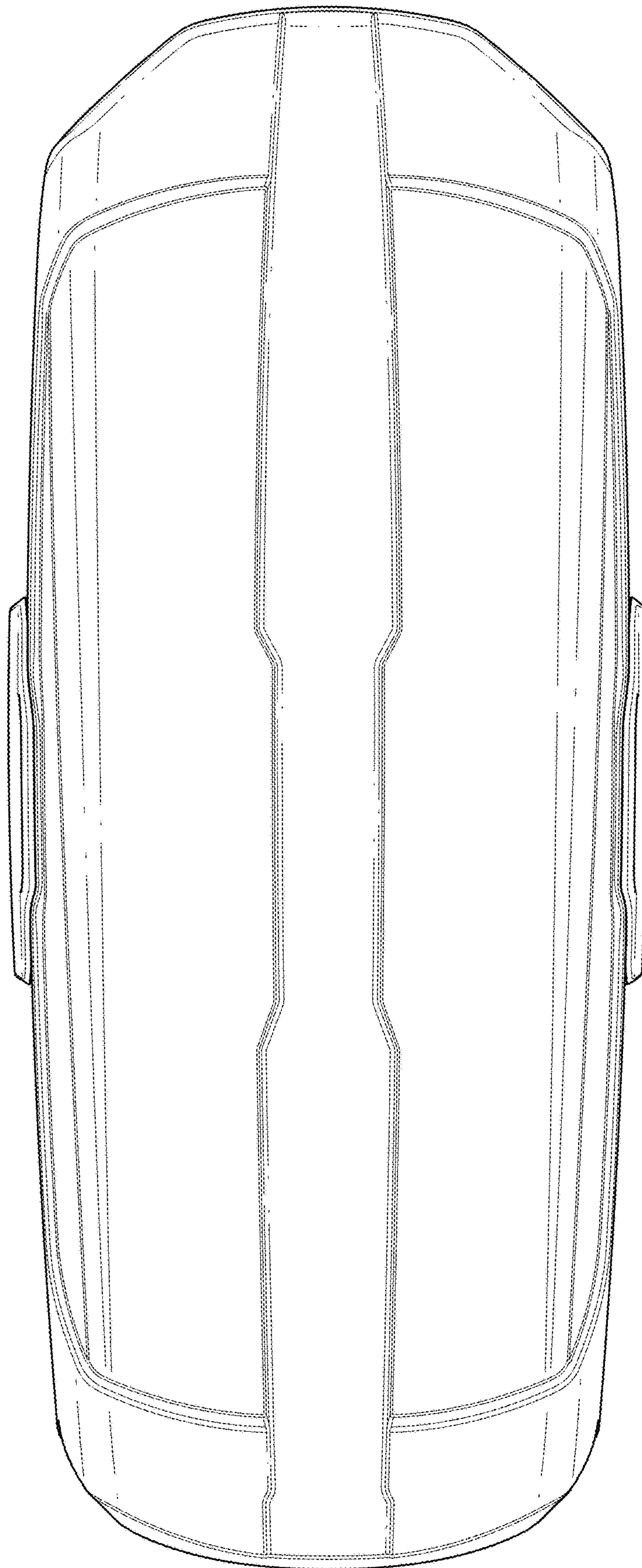


FIG. 7



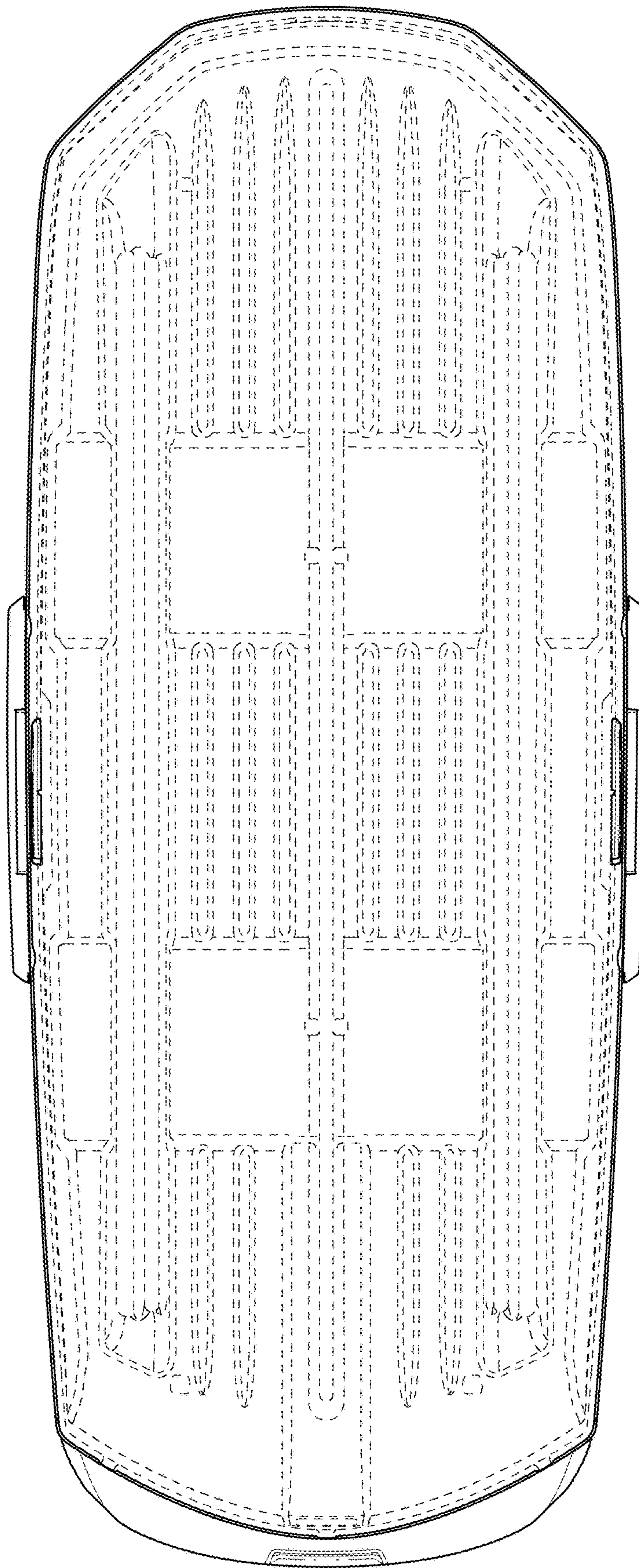


FIG. 8