



US00D786770S

(12) **United States Design Patent**
Smallhorn

(10) **Patent No.:** **US D786,770 S**

(45) **Date of Patent:** **** May 16, 2017**

(54) **AIRCRAFT PASSENGER CONTROL
CONSOLE**

(71) Applicant: **INFLIGHT INVESTMENTS INC.,
St-Laurent (CA)**

(72) Inventor: **George R Smallhorn, St-Laurent (CA)**

(73) Assignee: **Inflight Investments, Inc., St-Laurent,
Quebec (CA)**

(**) Term: **15 Years**

(21) Appl. No.: **29/549,466**

(22) Filed: **Dec. 22, 2015**

Related U.S. Application Data

(62) Division of application No. 29/475,990, filed on Dec.
10, 2013, now Pat. No. Des. 750,007.

(30) **Foreign Application Priority Data**

Jun. 10, 2013 (CA) 151587

(51) **LOC (10) Cl.** **12-07**

(52) **U.S. Cl.**
USPC **D12/345**

(58) **Field of Classification Search**
USPC D6/356; D10/123, 125; D12/319-345,
D12/195, 418; D13/162, 171; D14/218,
D14/338, 339

CPC . B64D 11/00; B64D 11/0015; B64D 11/0053;
B64D 2013/003; B60Q 3/00; B60Q 3/02
See application file for complete search history.

(56) **References Cited**

U.S. PATENT DOCUMENTS

3,370,813 A * 2/1968 Albertine B64D 11/00
244/118.5
D213,144 S * 1/1969 Kraus et al. D12/195

D244,018 S * 4/1977 Greiss D12/195
D259,038 S * 4/1981 Smith D12/195
D261,387 S * 10/1981 Weitz D12/192
D281,940 S * 12/1985 Steventon D12/195
D295,042 S * 4/1988 Steventon D12/192
D297,527 S * 9/1988 Iacovelli D10/2
D310,814 S * 9/1990 Rosenbaum D13/117
D310,820 S * 9/1990 Watson D13/117

(Continued)

FOREIGN PATENT DOCUMENTS

CN 202354885 8/2012 A47C 1/121
EM 1137109 9/2001 H01R 13/44

(Continued)

Primary Examiner — Robert M Spear

Assistant Examiner — Marissa J Cash

(74) *Attorney, Agent, or Firm* — Kusner & Jaffe

(57) **CLAIM**

The ornamental design for the aircraft passenger control console, as shown and described.

DESCRIPTION

FIG. 1 is a top perspective view of an aircraft passenger control console taken from a first end showing my new design;

FIG. 2 is a top perspective view taken from an opposite end thereof;

FIG. 3 is a first end view thereof;

FIG. 4 is an opposite end view thereof;

FIG. 5 is a first side view thereof;

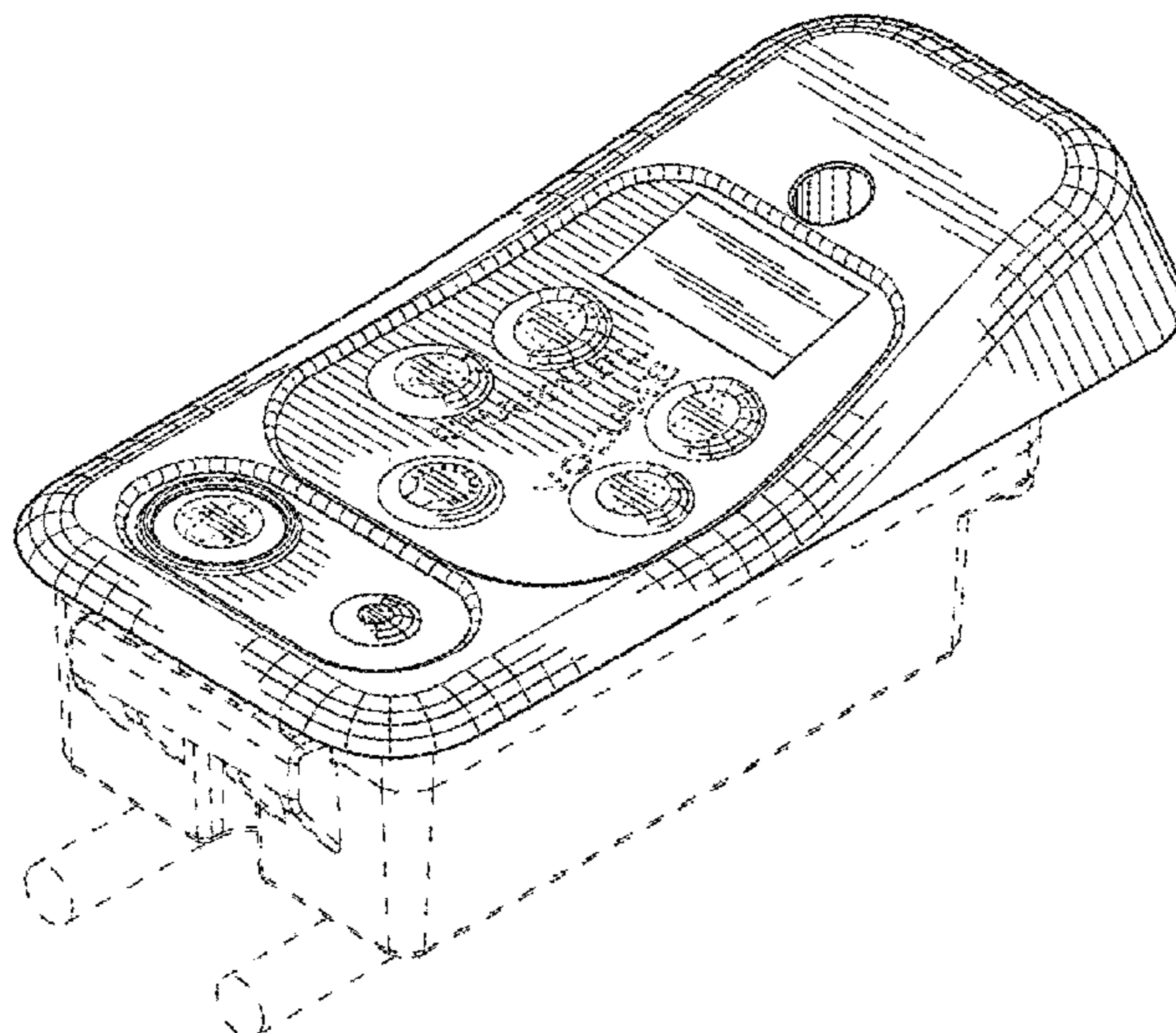
FIG. 6 is a second side view thereof;

FIG. 7 is a top view thereof; and,

FIG. 8 is a bottom view thereof.

In the drawings, the broken lines depict environmental subject matter only and form no part of the claimed design.

1 Claim, 6 Drawing Sheets



(56)

References Cited

U.S. PATENT DOCUMENTS

5,707,028 A * 1/1998 Roeper H02G 3/14
 244/118.5
 D396,470 S * 7/1998 Summers D14/218
 D402,966 S * 12/1998 Lim D13/168
 D410,748 S * 6/1999 Hunsucker D24/200
 D413,867 S * 9/1999 Mullet D13/162
 D439,425 S * 3/2001 Park D6/356
 D443,990 S * 6/2001 Beroth D6/356
 D455,390 S * 4/2002 Granzeier D12/345
 6,425,773 B2 * 7/2002 Mosebach B64D 11/0015
 439/136
 6,454,209 B1 * 9/2002 Bock B60Q 3/025
 105/314
 D464,329 S * 10/2002 Mainiero D13/169
 6,634,904 B2 10/2003 Rowland et al. 439/534
 D481,687 S * 11/2003 Moriya D13/171
 D487,981 S * 4/2004 Ludeke D6/356
 D491,923 S * 6/2004 Navarrete D14/218
 D495,801 S * 9/2004 Kim D24/200
 6,817,894 B2 11/2004 Sanner et al. 439/535
 6,835,068 B2 12/2004 Pappas et al. 439/34
 6,843,681 B2 1/2005 Sanner 439/536
 6,860,554 B2 3/2005 Lambiaso 297/217.3
 D503,686 S * 4/2005 Knox, Jr. D13/162
 7,047,112 B2 5/2006 Riedel et al. 701/3
 D562,779 S * 2/2008 Lamoree D13/171
 D563,908 S * 3/2008 Kohler, Jr. D13/162
 D583,749 S * 12/2008 Aruga D12/418
 D600,623 S * 9/2009 Fiedler D12/345
 D613,669 S * 4/2010 Collins D12/345
 7,766,293 B2 8/2010 Seidl et al. 248/311.2
 D628,529 S * 12/2010 Fiedler D12/345
 D638,688 S * 5/2011 Sheremeta D13/177
 D654,476 S * 2/2012 Weitgasser D14/218
 8,321,611 B2 11/2012 Francois et al. 710/62

8,360,365 B2 1/2013 Rahlff 244/118.5
 D677,639 S 3/2013 Margis et al. D14/129
 D678,217 S * 3/2013 Helm D13/162
 8,430,358 B2 4/2013 Schneider et al. 244/118.5
 D690,255 S 9/2013 Schutterra et al. D12/345
 D691,096 S * 10/2013 Beroukas D13/162
 D712,847 S * 9/2014 Dorn D13/174
 D750,007 S * 2/2016 Smallhorn D12/345
 D760,702 S * 7/2016 Sul D14/218
 2002/0109647 A1 8/2002 Crandall et al. G09G 5/00
 2004/0235469 A1 11/2004 Krug 455/431
 2006/0075934 A1 4/2006 Ram 108/44
 2006/0267994 A1 11/2006 Pfliging et al. 345/530
 2006/0288377 A1 12/2006 Hsieh 725/76
 2008/0001583 A1 1/2008 Brown et al. 323/234
 2009/0079705 A1 3/2009 Sizelove et al. 345/173
 2009/0249408 A1 10/2009 Smallhorn 725/75
 2010/0187903 A1 7/2010 Diab et al. 307/9.1
 2010/0295340 A1 11/2010 Stangl et al. 297/188.01
 2011/0003505 A1 1/2011 Greig et al. 439/540.1
 2011/0079682 A1 4/2011 Raybell et al. 244/122
 2011/0162015 A1 6/2011 Holyoake et al. 725/76
 2011/0174926 A1 7/2011 Margis et al.
 2011/0219408 A1 9/2011 Frisco et al. 725/77
 2011/0219409 A1 9/2011 Frisco et al. 725/77
 2012/0032027 A1 2/2012 Gehm et al. 244/118.5
 2012/0039048 A1 2/2012 Mondragon et al. 361/733
 2012/0228426 A1 9/2012 Schneider et al. 244/118.5
 2012/0250879 A1 10/2012 Moody 381/86
 2013/0001987 A1 1/2013 Heredia 297/163
 2013/0093220 A1 4/2013 Pajic 297/163

FOREIGN PATENT DOCUMENTS

EM EP 1865591 12/2007 H02M 3/156
 EM EP 2106141 9/2009 H04N 7/173
 WO WO 03/024110 3/2003 H04N 7/173

* cited by examiner

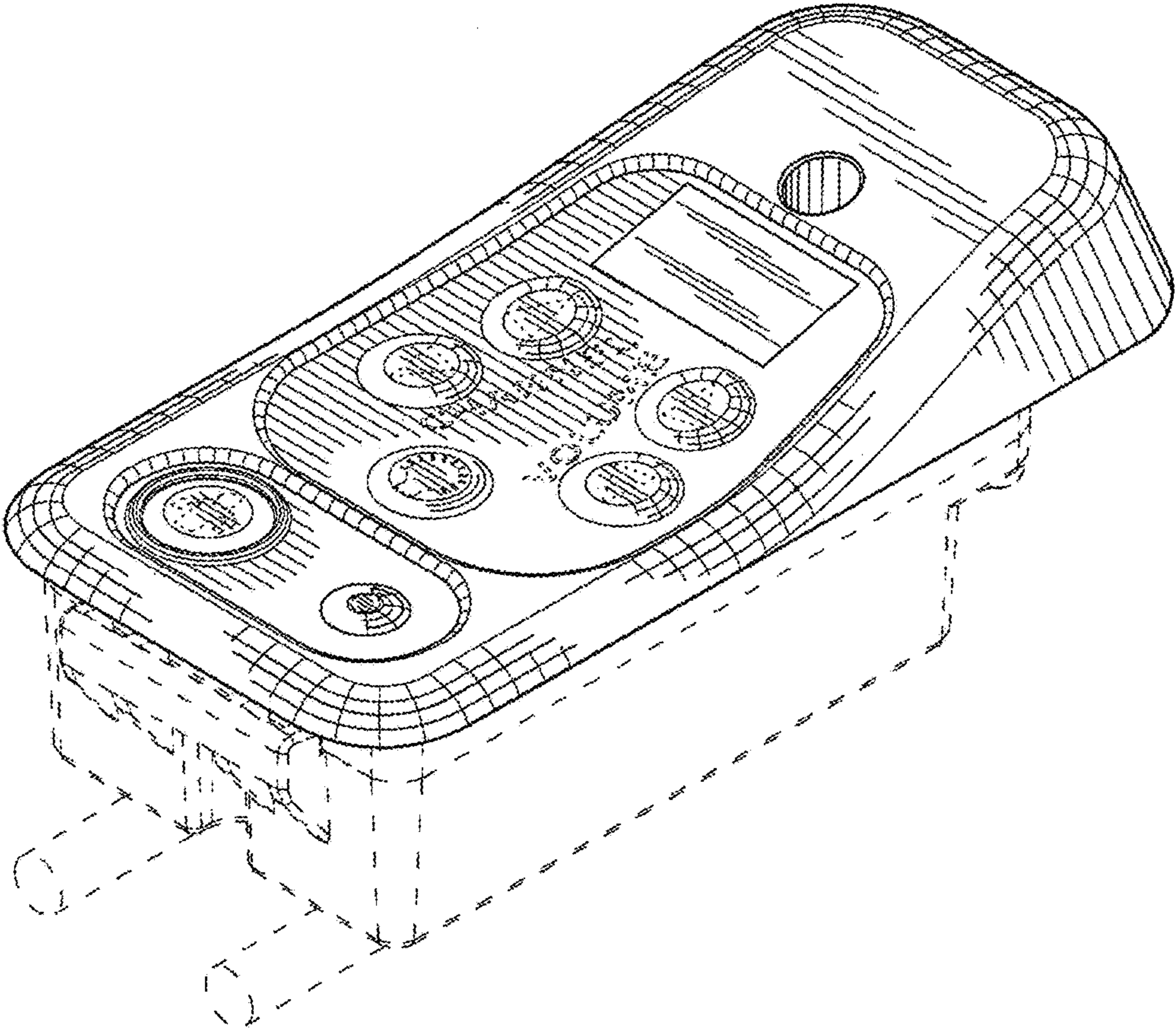


FIG.1

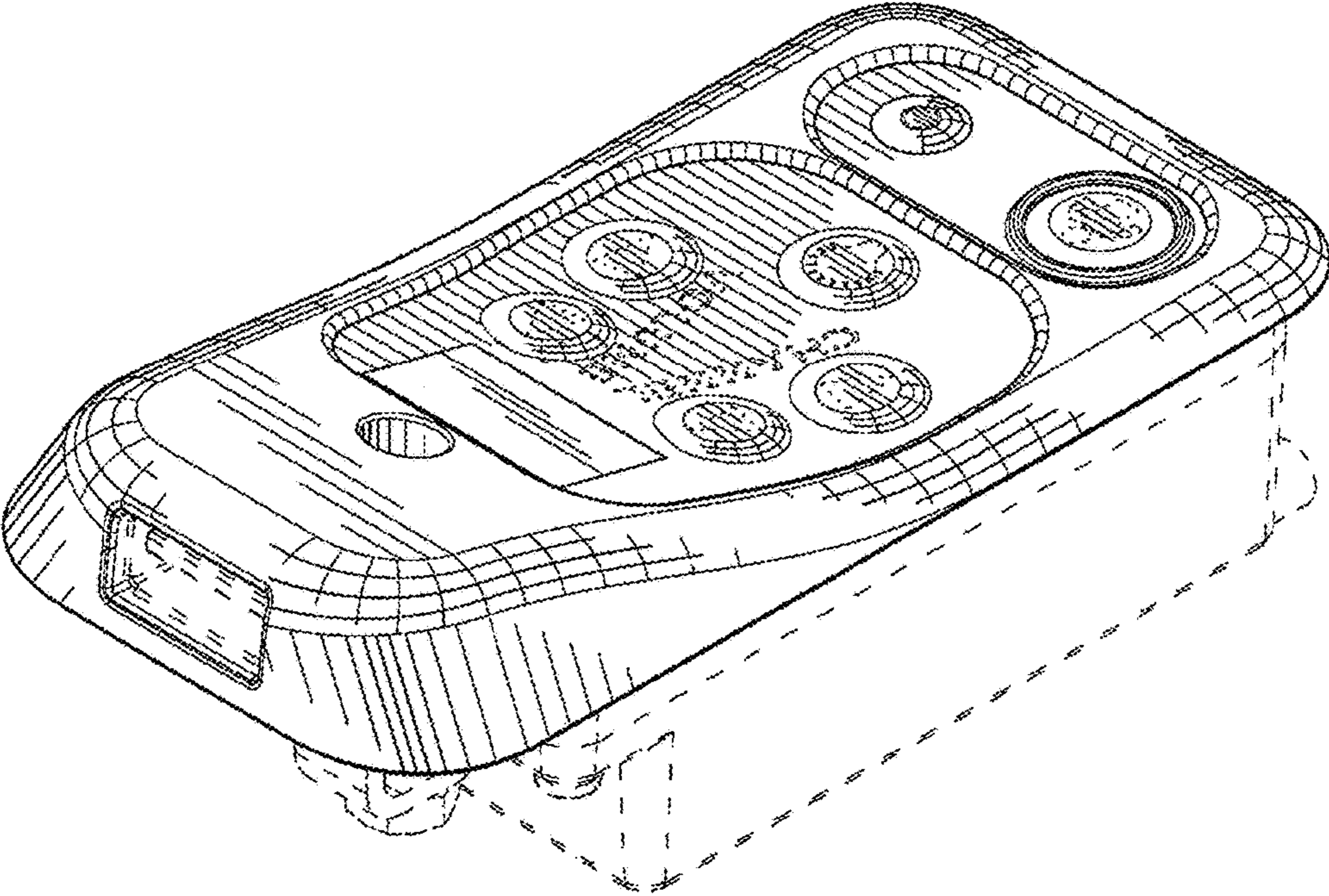


FIG.2

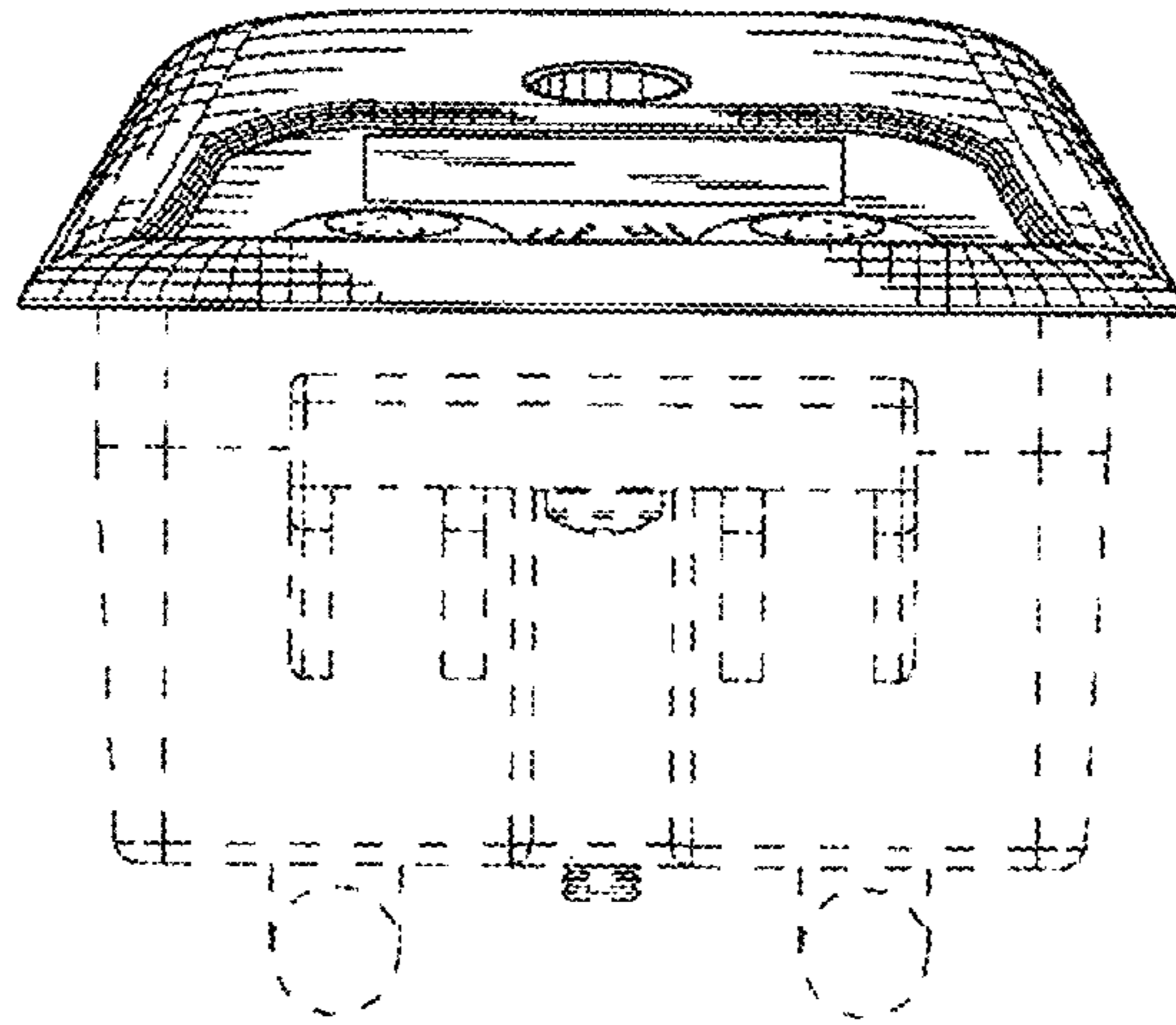


FIG.3

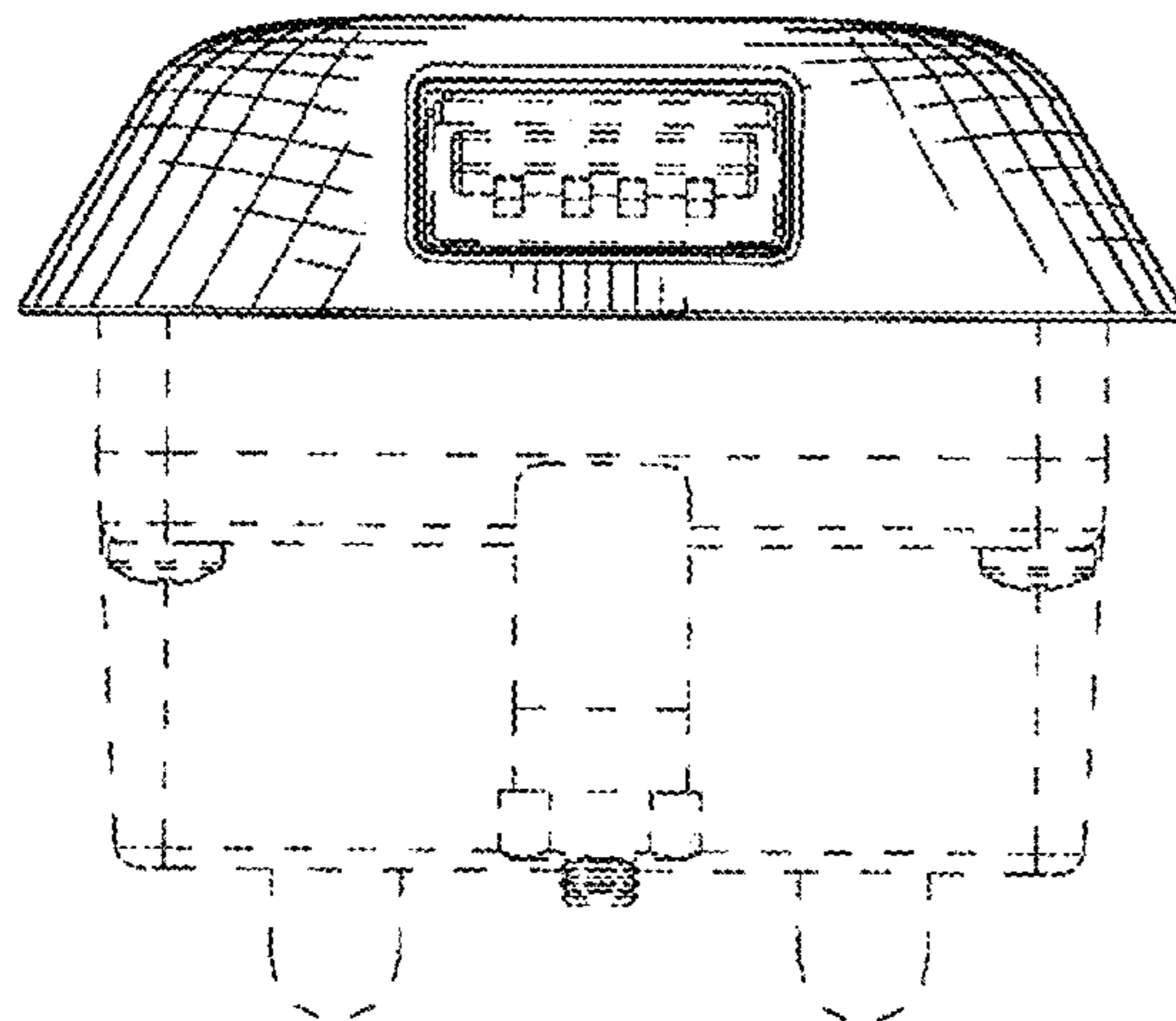


FIG.4

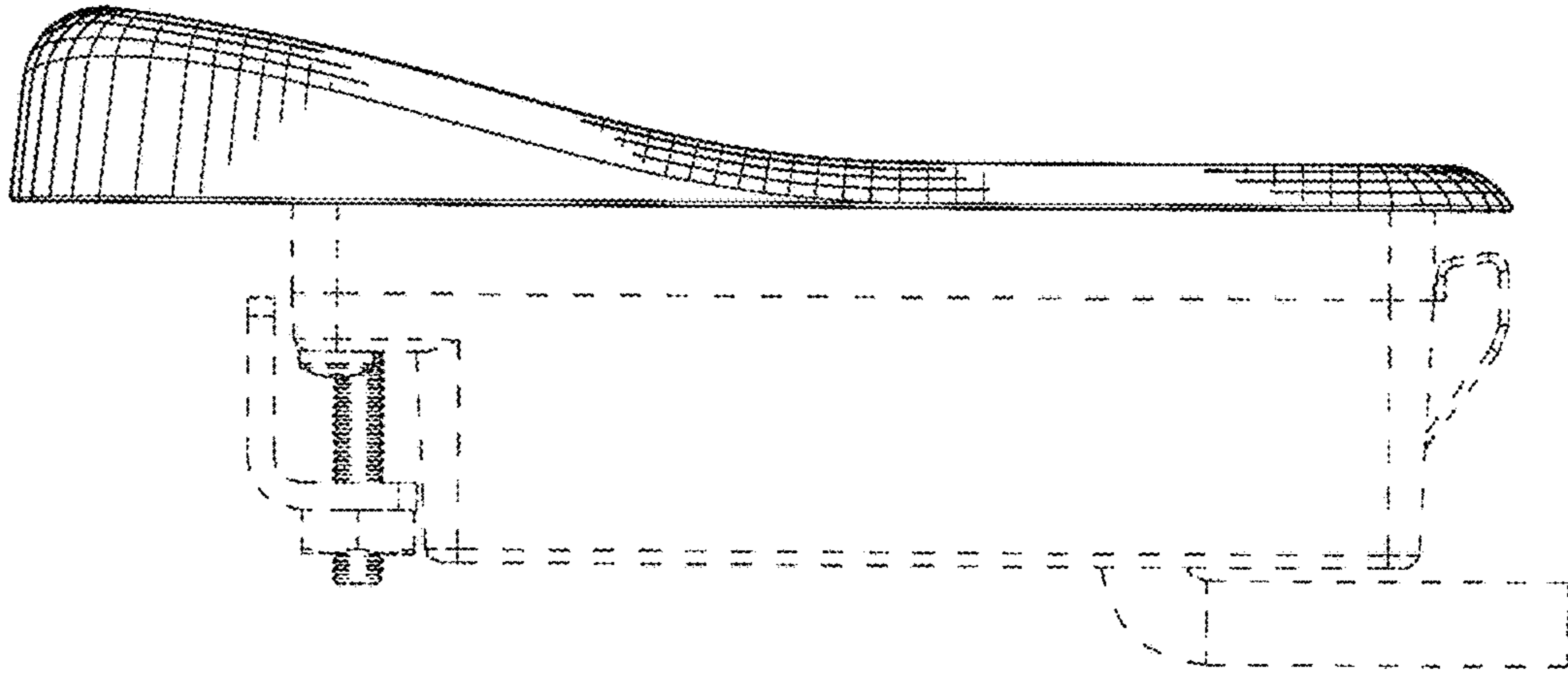


FIG. 5

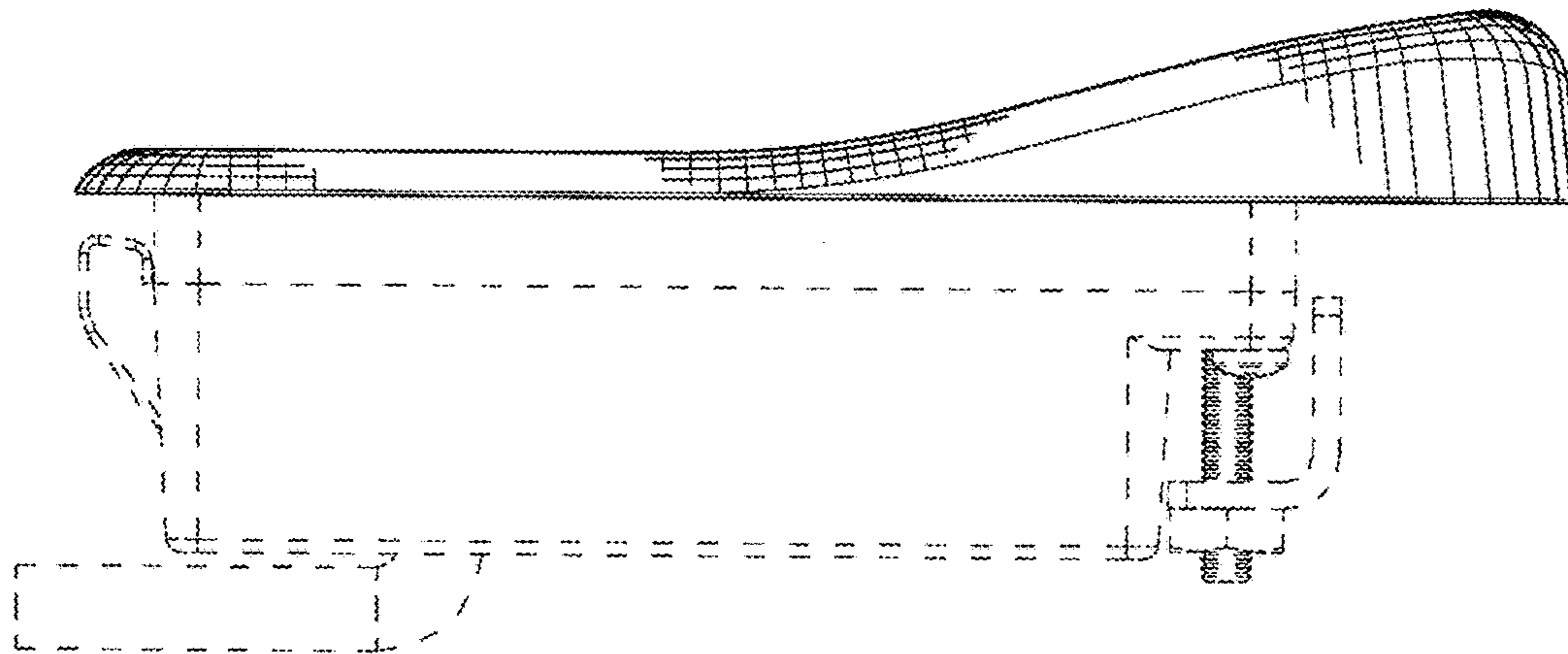


FIG. 6

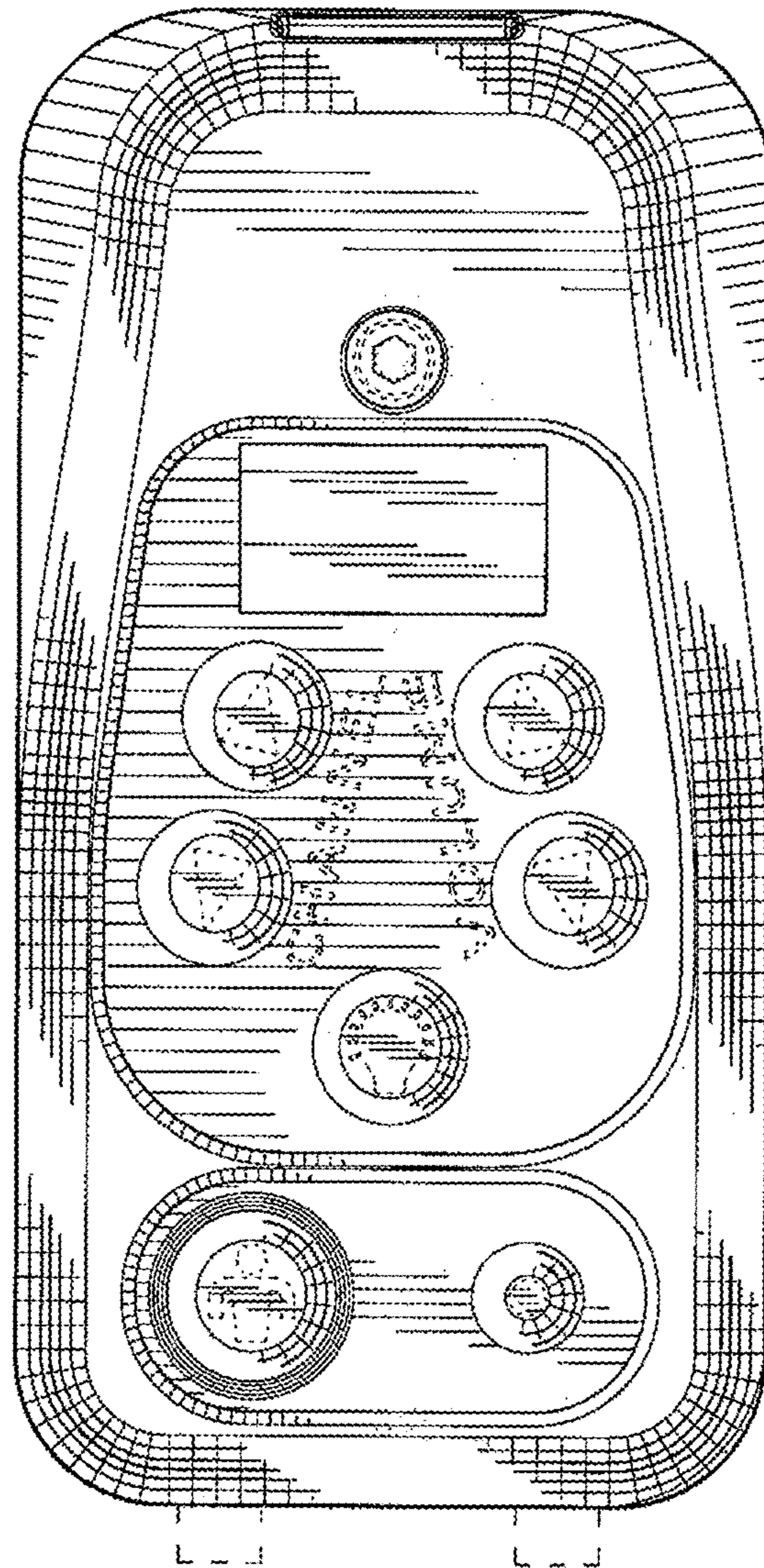


FIG.7

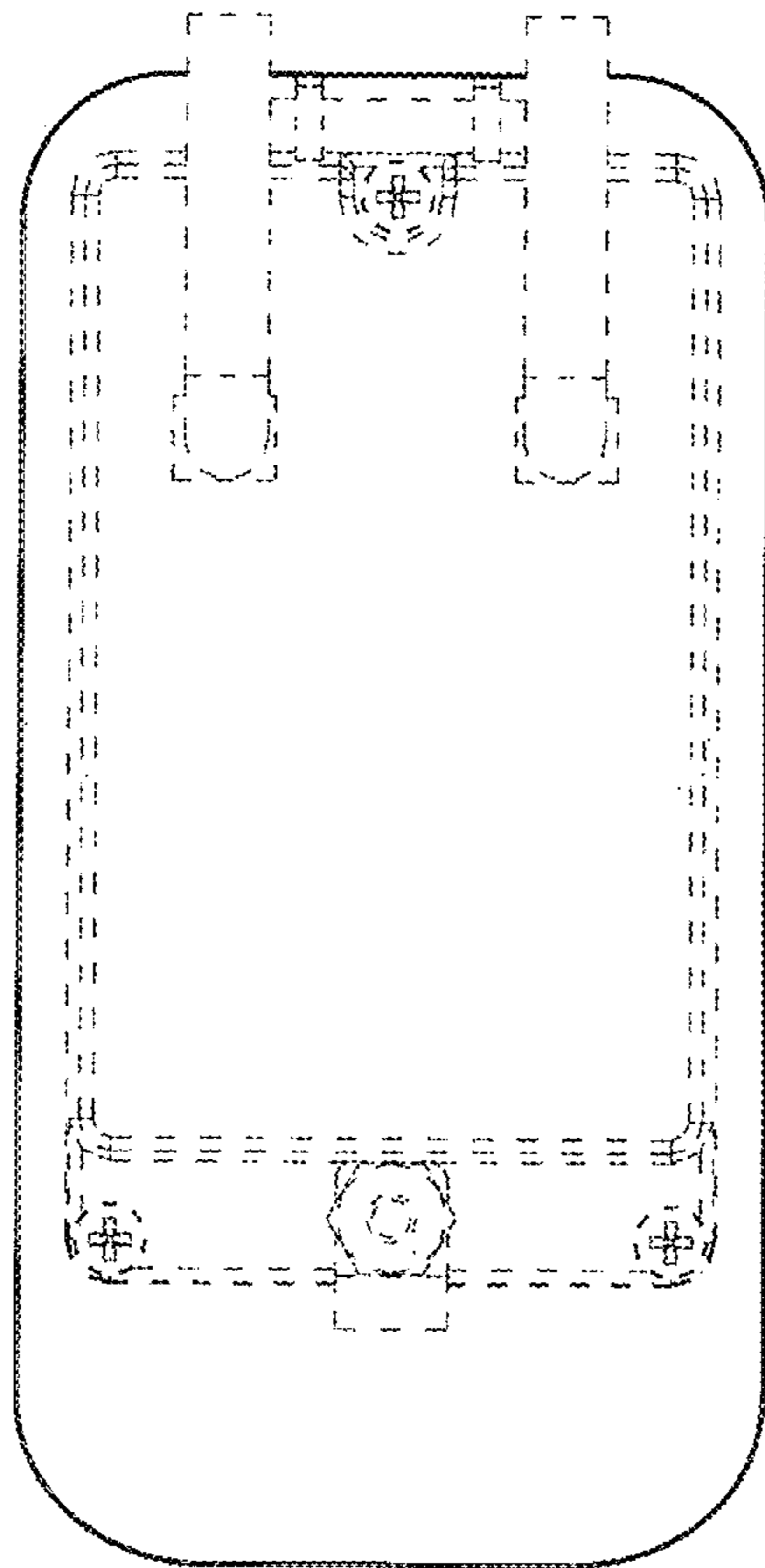


FIG. 8