



US00D786769S

(12) **United States Design Patent** (10) **Patent No.:** **US D786,769 S**
Lee et al. (45) **Date of Patent:** **** May 16, 2017**

(54) **ADAPTER OF WINDSCREEN WIPER**
(71) Applicant: **CAP Corporation**, Gyeongsangbuk-do (KR)
(72) Inventors: **Sang Chul Lee**, Gyeongsangbuk-do (KR); **Seung Chul Hyun**, Gyeonggi-do (KR)
(73) Assignee: **CAP Corporation**, Gyeongsangbuk-do (KR)

(**) Term: **15 Years**

(21) Appl. No.: **29/552,834**

(22) Filed: **Jan. 26, 2016**

(51) **LOC (10) Cl.** **12-06**

(52) **U.S. Cl.**
USPC **D12/220**

(58) **Field of Classification Search**
USPC D12/219, 220
CPC B60S 2001/3815; B60S 1/4003; B60S 1/3801
See application file for complete search history.

(56) **References Cited**

U.S. PATENT DOCUMENTS

D610,518 S * 2/2010 Aglassinger D12/220
D610,519 S * 2/2010 Aglassinger D12/220
D725,021 S * 3/2015 Poton D12/220
D725,024 S * 3/2015 Poton D12/220
D725,025 S * 3/2015 Poton D12/220

D725,026 S * 3/2015 Poton D12/220
D727,238 S * 4/2015 Lepper D12/220
2014/0215747 A1* 8/2014 Yang B60S 1/4003
15/250.32
2014/0317875 A1* 10/2014 Tolentino B60S 1/387
15/250.32

* cited by examiner

Primary Examiner — Katrina A Betton

(74) *Attorney, Agent, or Firm* — Grossman Tucker Perreault & Pflieger, PLLC

(57) **CLAIM**

The ornamental design for a adapter for windscreen wiper, as shown and described.

DESCRIPTION

FIG. 1 is a top perspective view of an adaptor for windscreen wiper.
FIG. 2 is a front view thereof.
FIG. 3 is a rear view thereof.
FIG. 4 is a left side view thereof.
FIG. 5 is a right side view thereof.
FIG. 6 is a top plan view thereof.
FIG. 7 is a bottom plan view thereof.
FIG. 8 is a top perspective view thereof with a top cover removed and replaced with a pin cover; and,
FIG. 9 is a top perspective view thereof with a top cover removed.

The broken lines are included for the purpose of illustrating the unclaimed portions of the article and form no part of the claim.

1 Claim, 9 Drawing Sheets

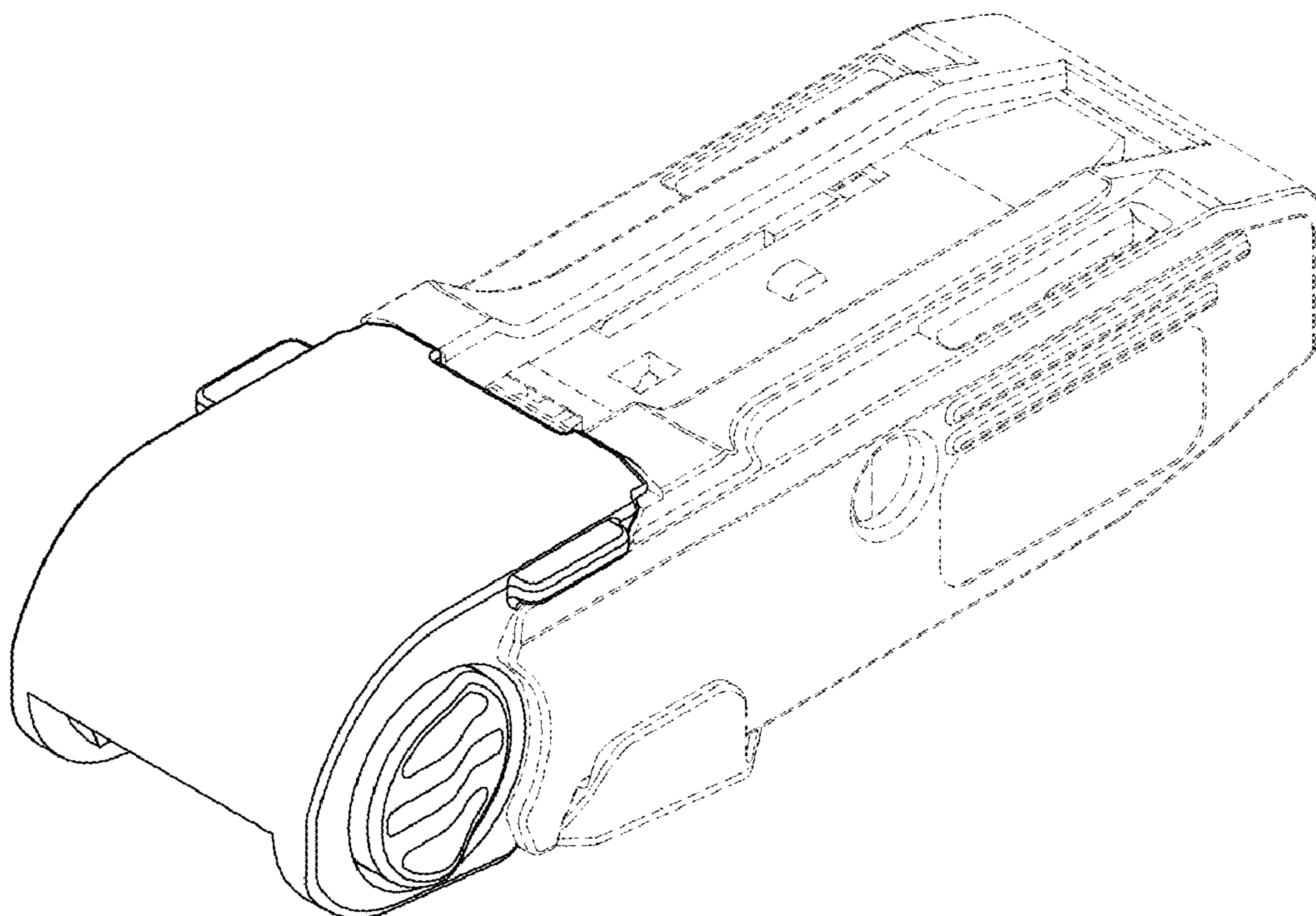


FIG. 1

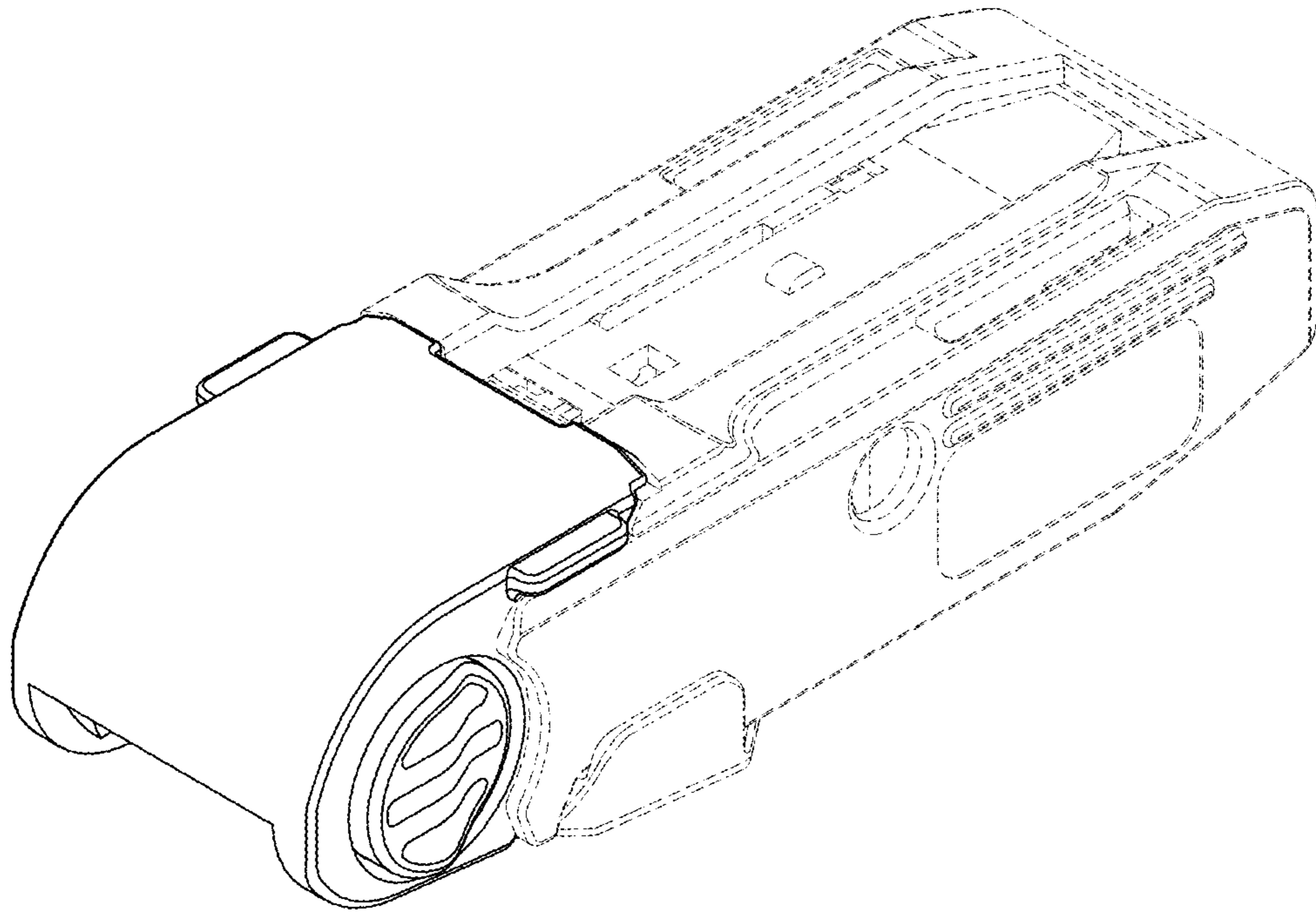


FIG. 2

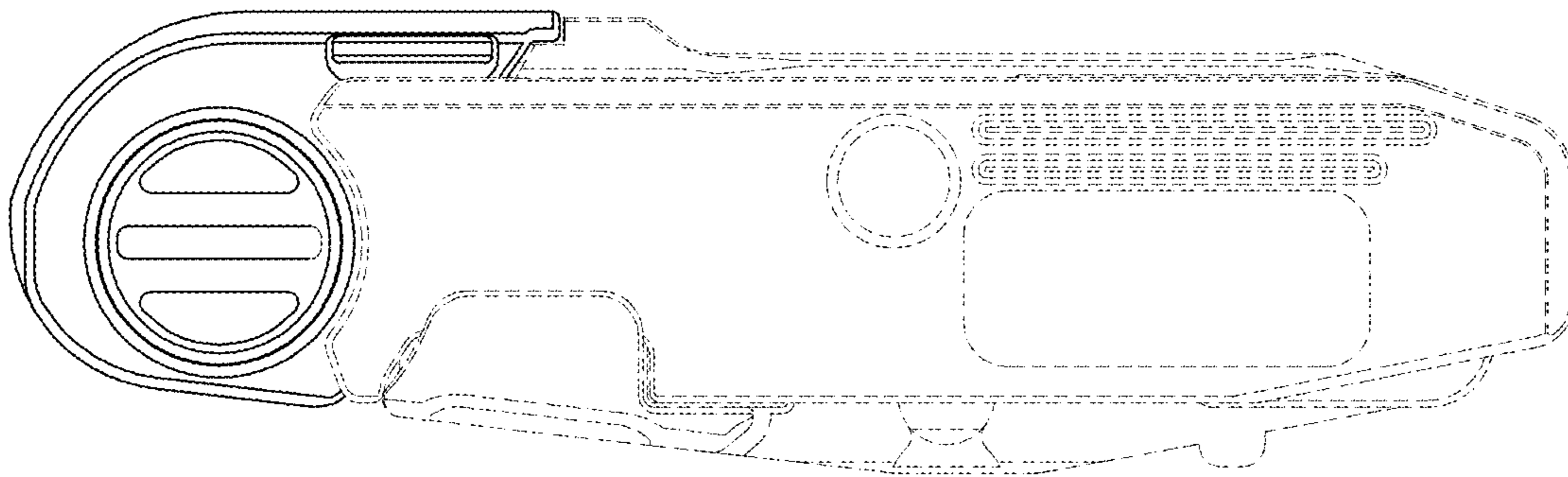


FIG. 3

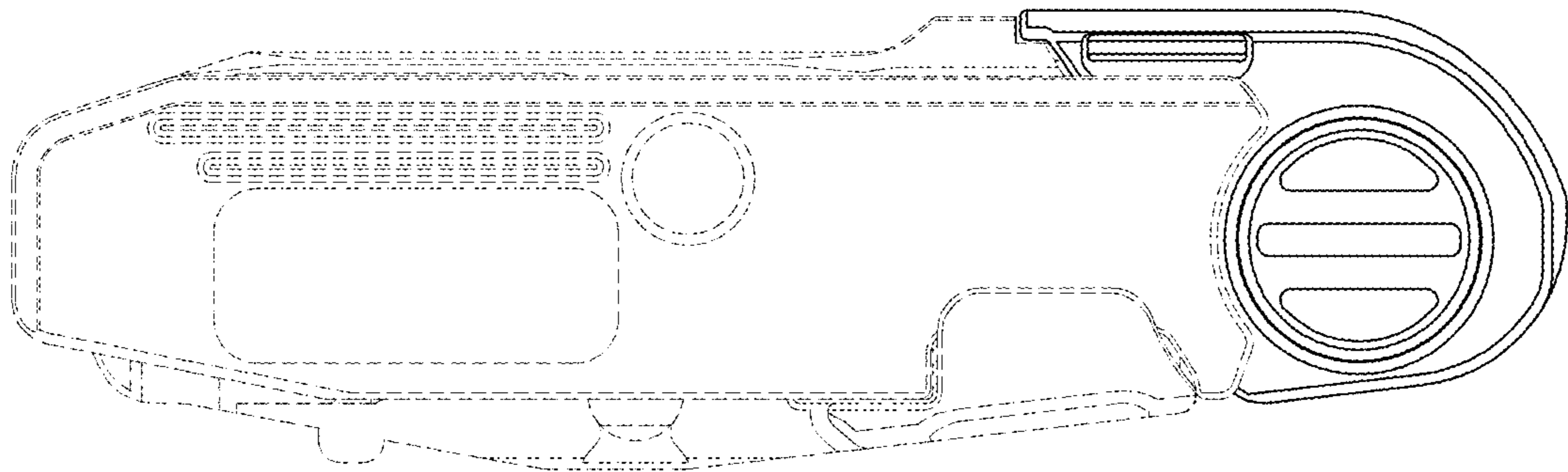


FIG. 4

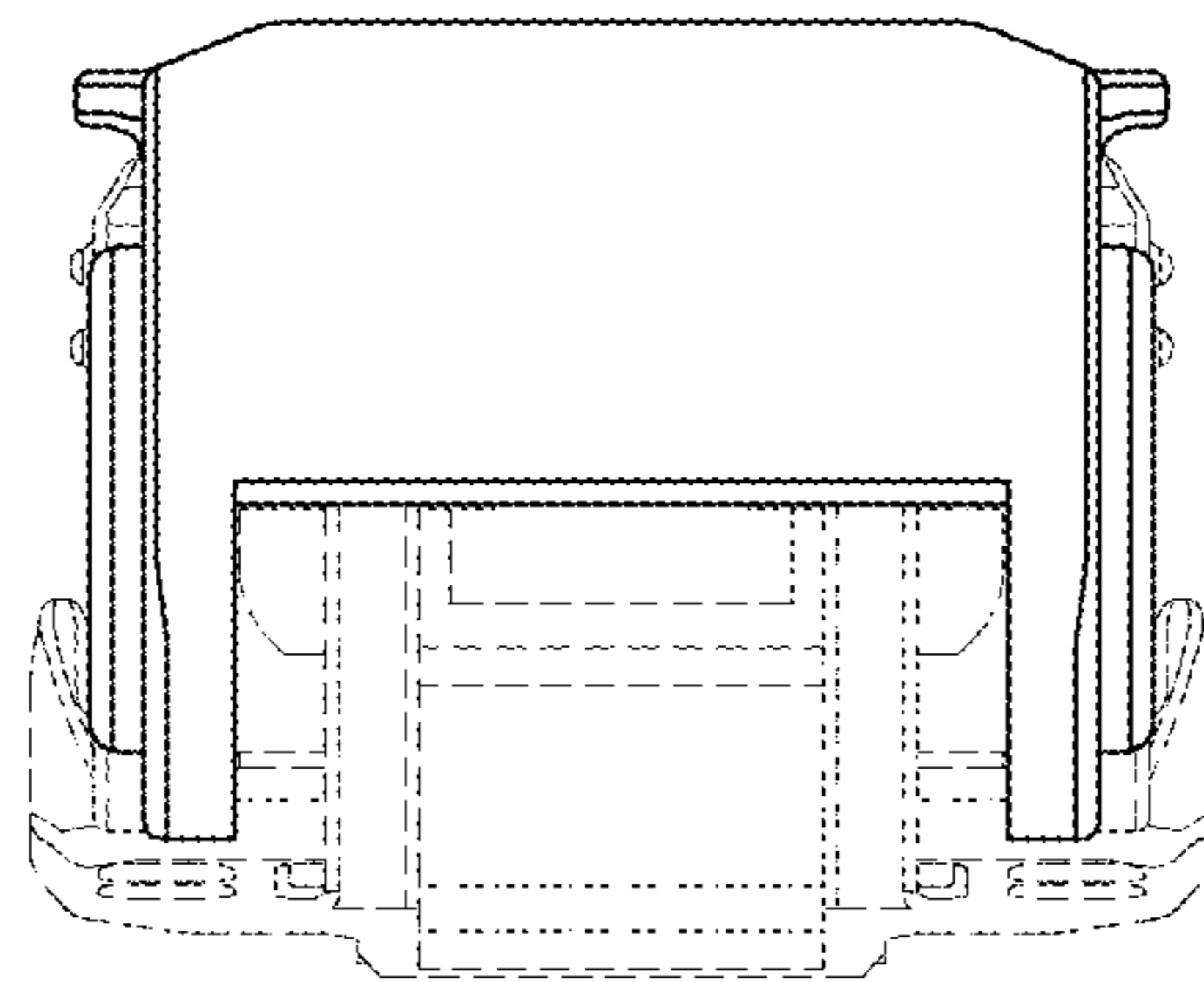


FIG. 5

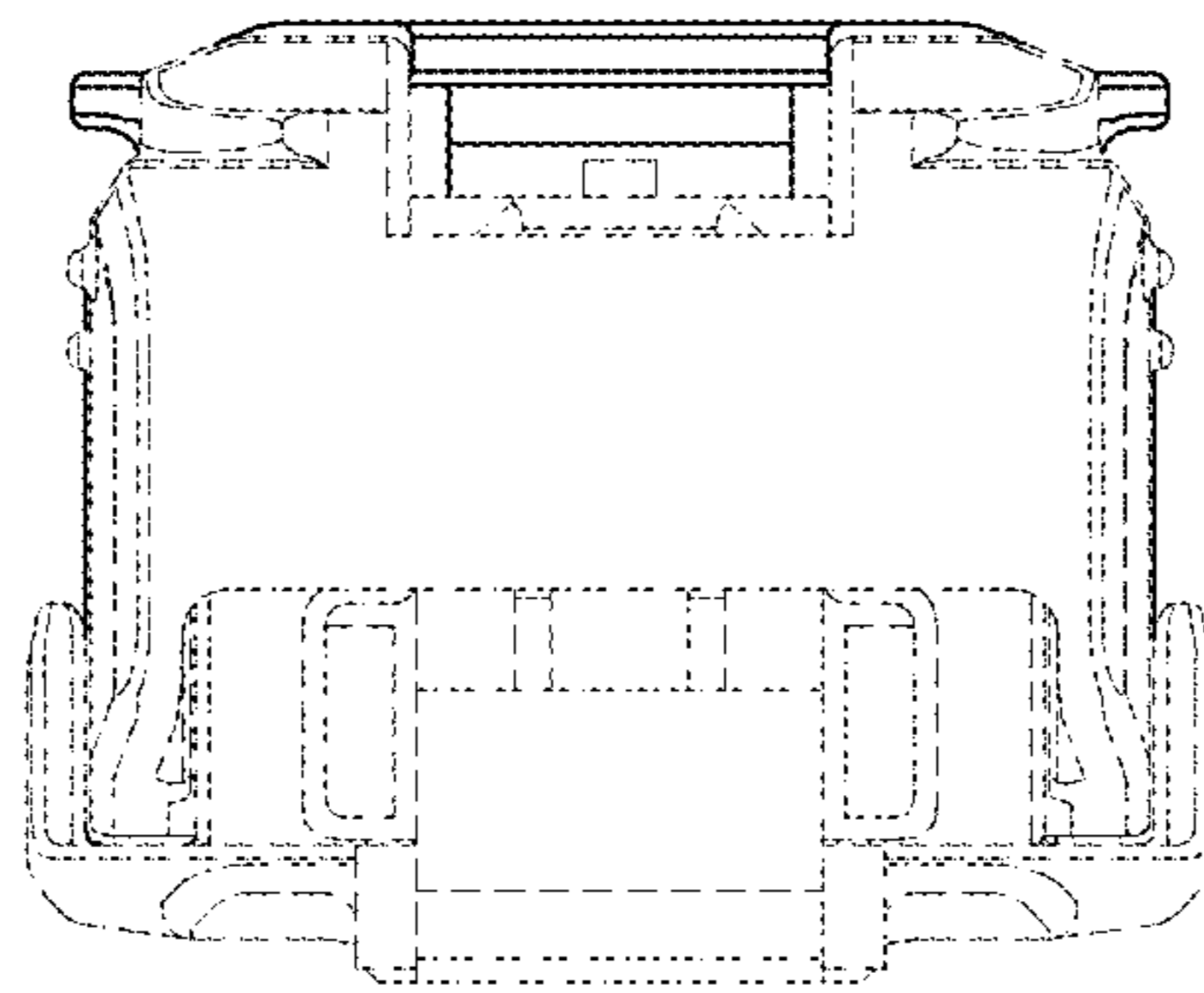


FIG. 6

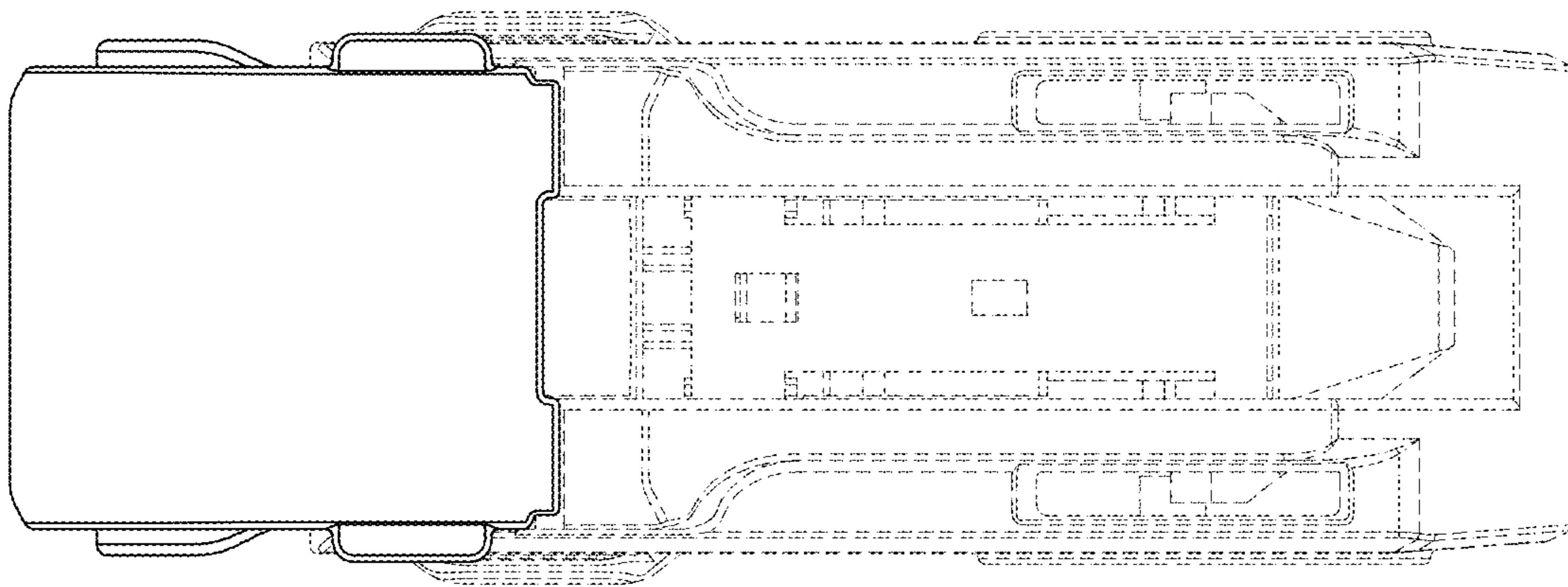


FIG. 7

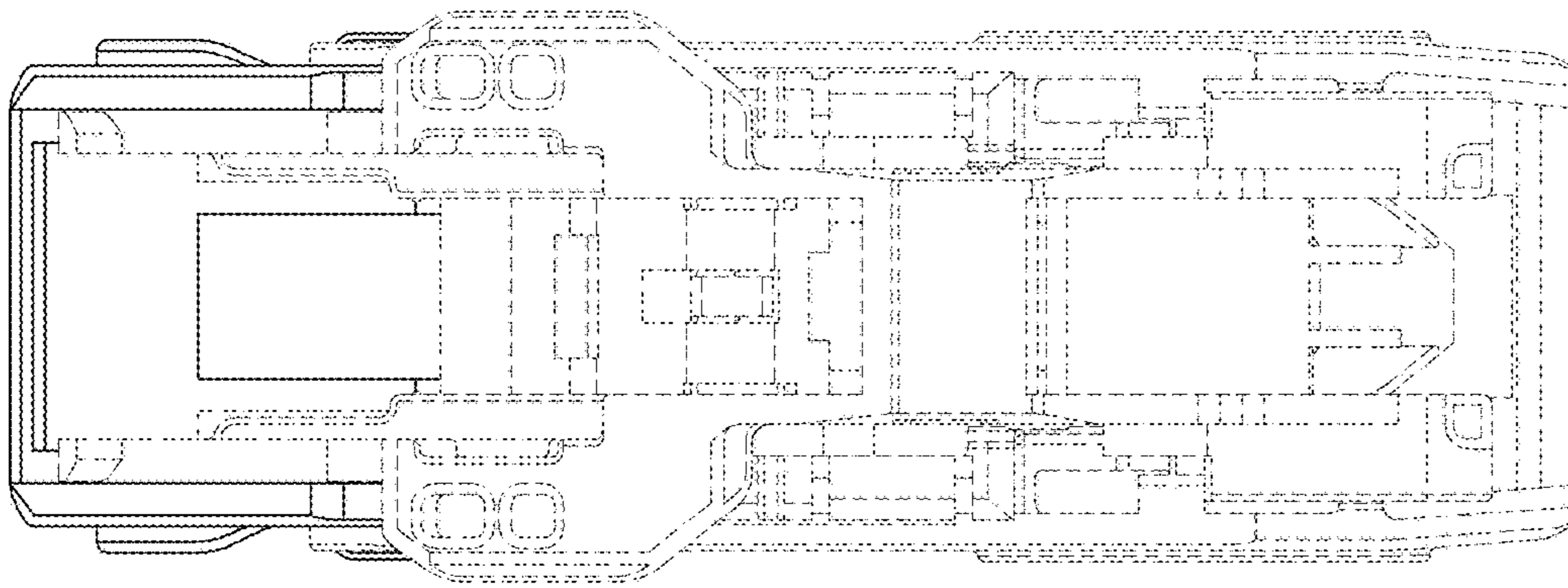


FIG. 8

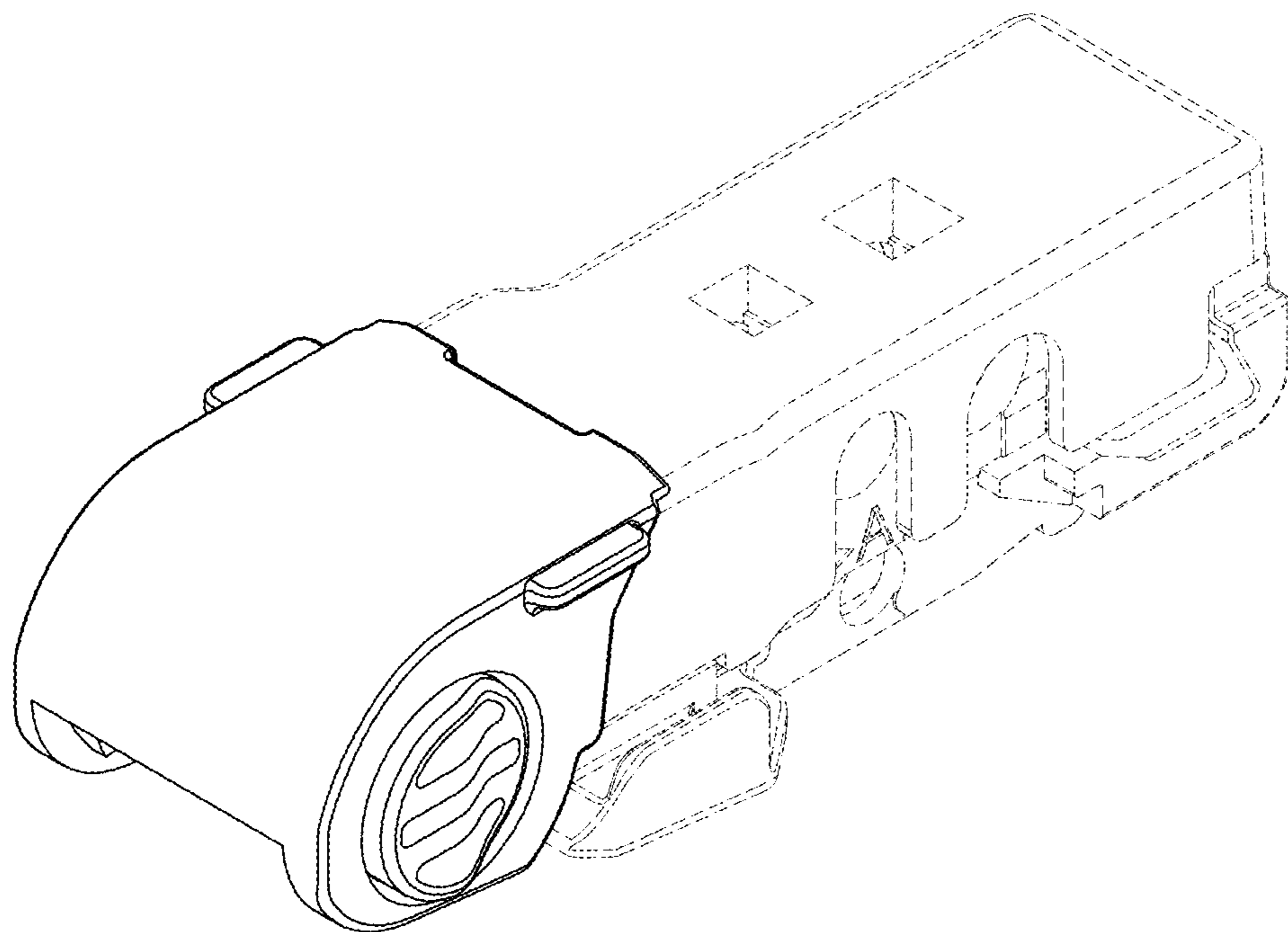


FIG. 9

