



US00D786768S

(12) **United States Design Patent**
Youssef

(10) **Patent No.:** **US D786,768 S**

(45) **Date of Patent:** **** May 16, 2017**

(54) **WHEEL FOR AN AUTOMOBILE**

(71) Applicant: **Michael Youssef**, Sugar Land, TX (US)

(72) Inventor: **Michael Youssef**, Sugar Land, TX (US)

(**) Term: **14 Years**

(21) Appl. No.: **29/519,763**

(22) Filed: **Mar. 6, 2015**

(51) **LOC (10) Cl.** **12-16**

(52) **U.S. Cl.**

USPC **D12/211**

(58) **Field of Classification Search**

USPC D12/204–213

CPC B60B 7/00; B60B 7/02; B60B 7/04; B60B

7/01; B60B 7/06; B60B 3/02; B60B 3/04;

B60B 3/06; B60B 3/10; B60B 1/00;

B60B 1/08; B60B 1/10; B60B 1/12

See application file for complete search history.

(56) **References Cited**

U.S. PATENT DOCUMENTS

D337,563 S * 7/1993 Boselli D12/209

D450,030 S * 11/2001 Pfeiffer D12/211

D500,003 S * 12/2004 Guevara D12/211

D536,655 S * 2/2007 Kim D12/211

D543,922 S * 6/2007 Young D12/209

D573,082 S * 7/2008 Young D12/211

D671,062 S * 11/2012 Dilber D12/211

D702,173 S * 4/2014 Perini D12/211

D704,117 S * 5/2014 Chung D12/209

D724,515 S * 3/2015 Chung D12/209

D726,088 S * 4/2015 Hodges D12/211

D727,825 S * 4/2015 Chung D12/211

D751,017 S * 3/2016 Chung D12/209

D751,481 S * 3/2016 Chung D12/209

* cited by examiner

Primary Examiner — Stacia Cadmus

(74) *Attorney, Agent, or Firm* — Karen B. Tripp

(57) **CLAIM**

The ornamental design for a wheel for an automobile, as shown and described.

DESCRIPTION

FIG. 1 is a front view of a wheel for an automobile showing my new design.

FIG. 2 is an enlargement of a portion of FIG. 1.

FIG. 3 is a side view of the wheel of FIG. 1.

FIG. 4 is a left perspective view of the wheel of FIG. 1.

FIG. 5 is an enlargement of a portion of FIG. 4; and,

FIG. 6 is a right perspective view of the wheel of FIG. 1.

1 Claim, 6 Drawing Sheets

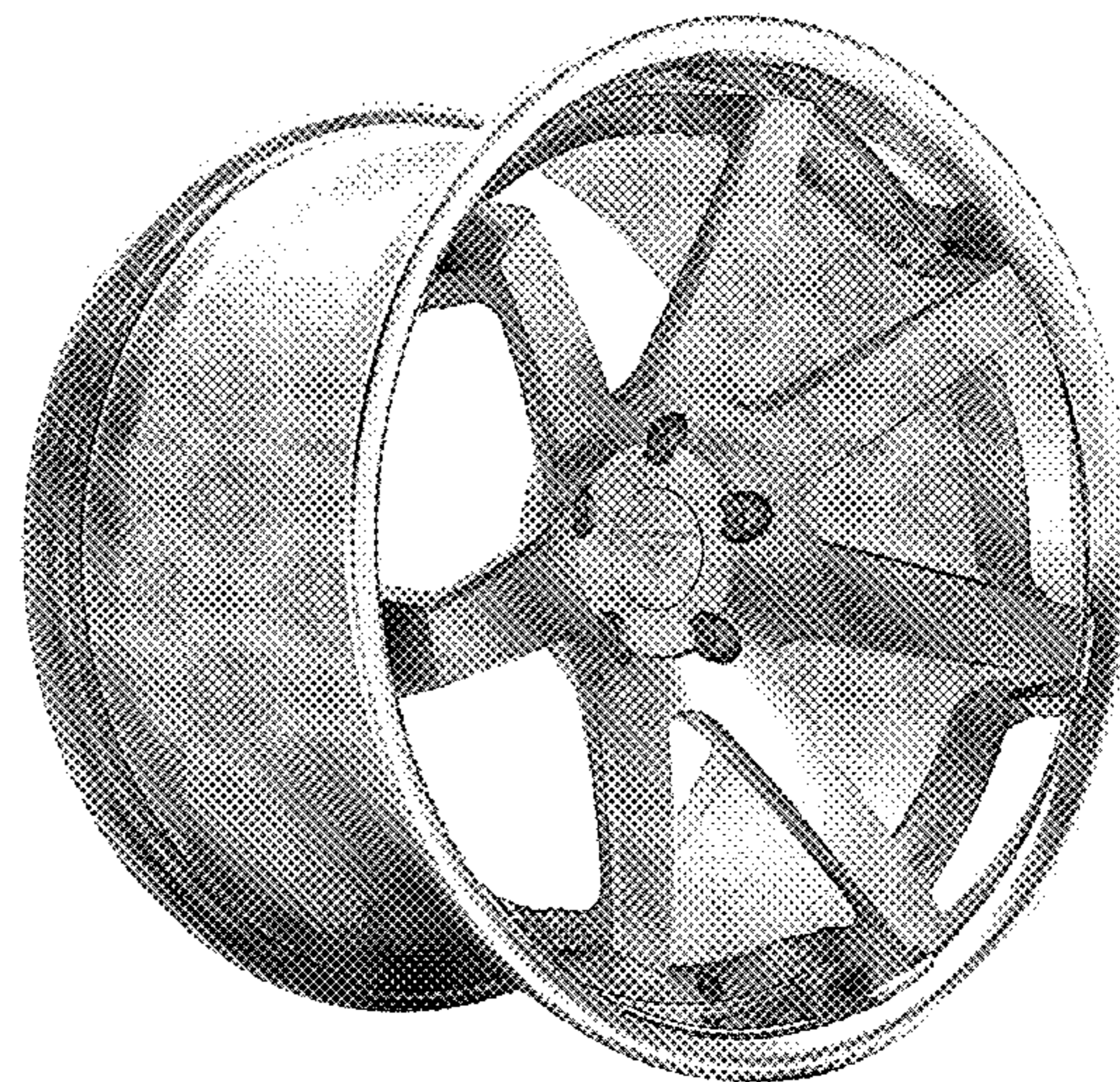




FIG 1



FIG 2

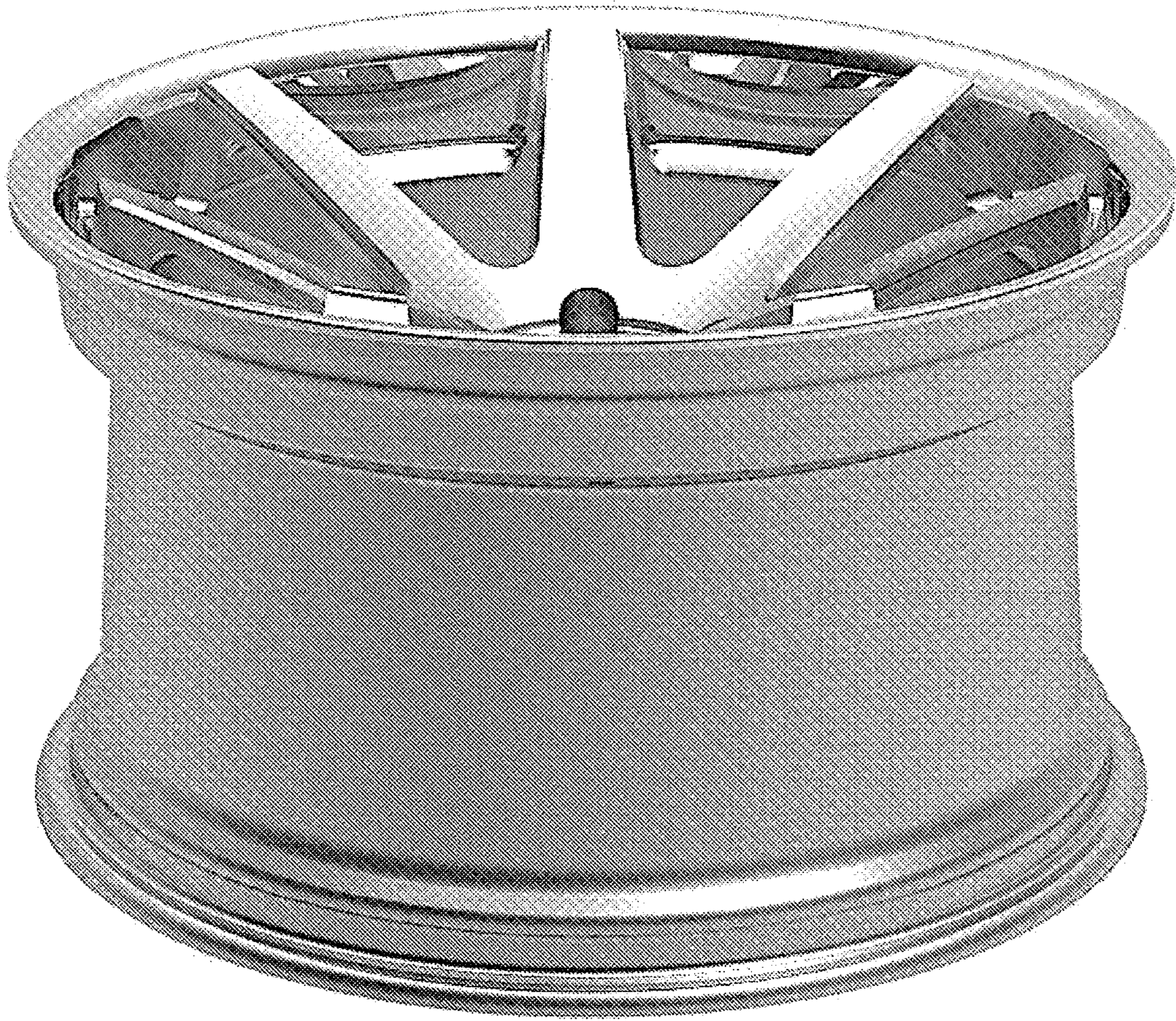


FIG 3



FIG 4

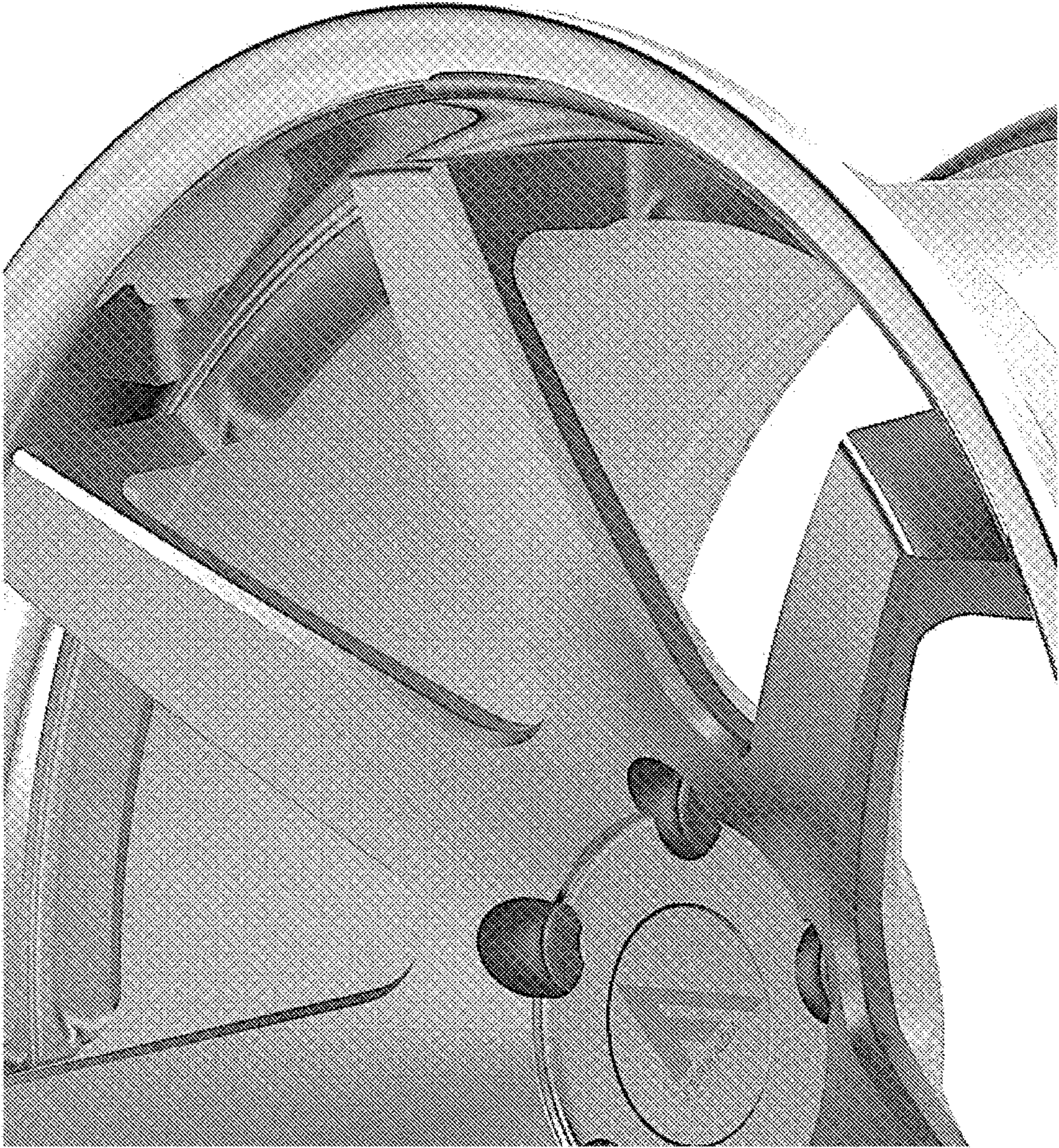


FIG 5

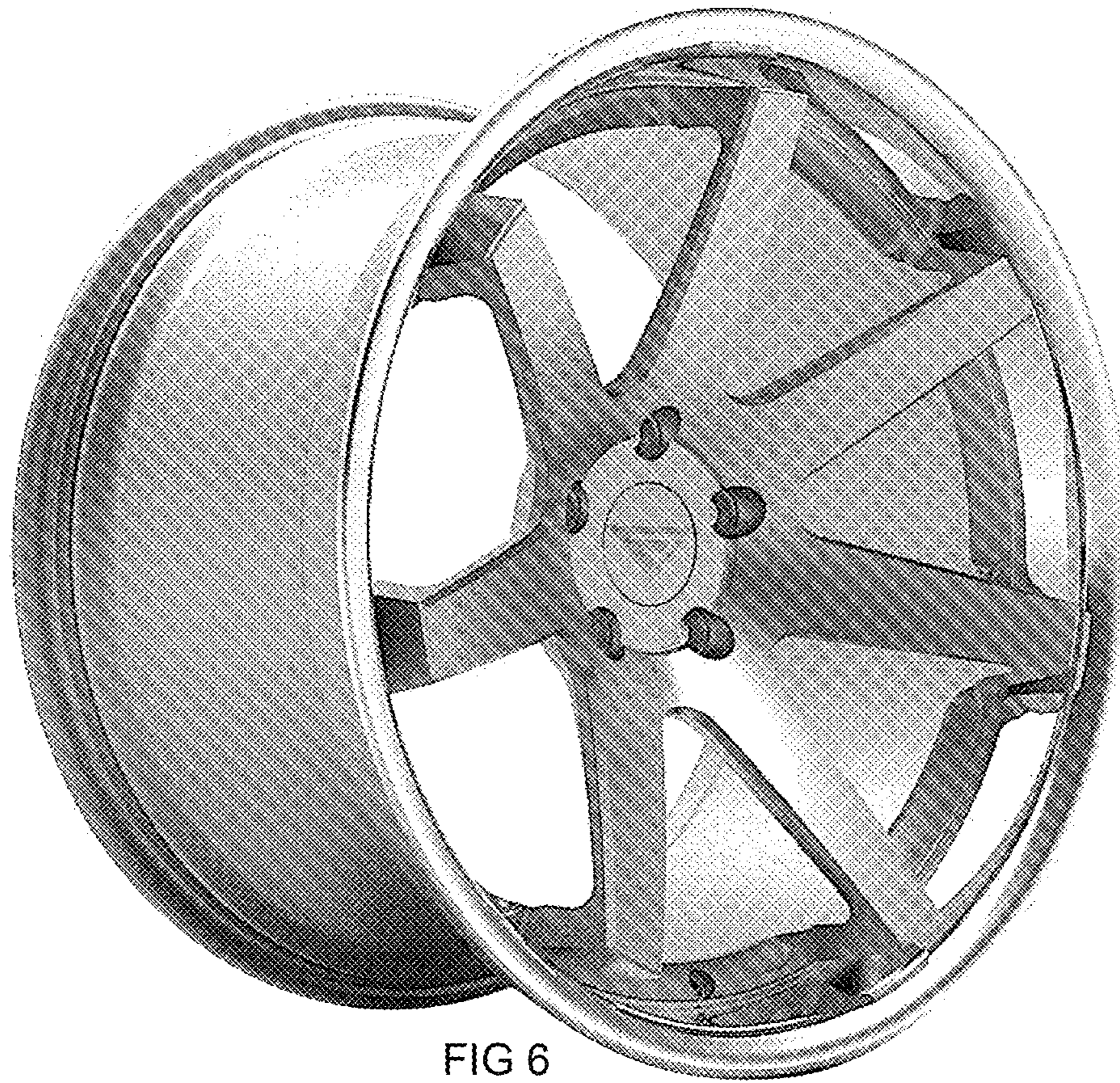


FIG 6