



US00D786764S

(12) **United States Design Patent**
Youssef

(10) **Patent No.:** **US D786,764 S**

(45) **Date of Patent:** **** May 16, 2017**

- (54) **WHEEL FOR AN AUTOMOBILE**
- (71) Applicant: **Michael Youssef**, Sugar Land, TX (US)
- (72) Inventor: **Michael Youssef**, Sugar Land, TX (US)
- (**) Term: **14 Years**
- (21) Appl. No.: **29/519,765**
- (22) Filed: **Mar. 6, 2015**
- (51) **LOC (10) Cl.** **12-16**
- (52) **U.S. Cl.**
USPC **D12/209**
- (58) **Field of Classification Search**
USPC D12/204-213
CPC B60B 7/00; B60B 7/02; B60B 7/04; B60B 7/01; B60B 3/02; B60B 3/04; B60B 3/06; B60B 3/10; B60B 1/00; B60B 1/08; B60B 1/10; B60B 1/12
See application file for complete search history.

D671,059 S *	11/2012	Pollmann	D12/209
D673,096 S *	12/2012	Platto	D12/209
D721,026 S *	1/2015	Telaak	D12/209
D730,795 S *	6/2015	Mays	D12/209
D749,483 S *	2/2016	Hodges	D12/209
D755,698 S *	5/2016	Tirado	D12/209

* cited by examiner

Primary Examiner — Stacia Cadmus

(74) *Attorney, Agent, or Firm* — Karen B. Tripp

(57) **CLAIM**

The ornamental design for a wheel for an automobile, as shown and described.

DESCRIPTION

FIG. 1 is a front view of a wheel for an automobile showing my new design.
 FIG. 2 is an enlargement of a portion of FIG. 1.
 FIG. 3 is a side view of the wheel of FIG. 1.
 FIG. 4 is a left perspective view of the wheel of FIG. 1.
 FIG. 5 is an enlargement of a portion of FIG. 4; and,
 FIG. 6 is a right perspective view of the wheel of FIG. 1.

1 Claim, 6 Drawing Sheets

- (56) **References Cited**
U.S. PATENT DOCUMENTS
D540,238 S * 4/2007 Sycha D12/209
D590,319 S * 4/2009 Juergens D12/211

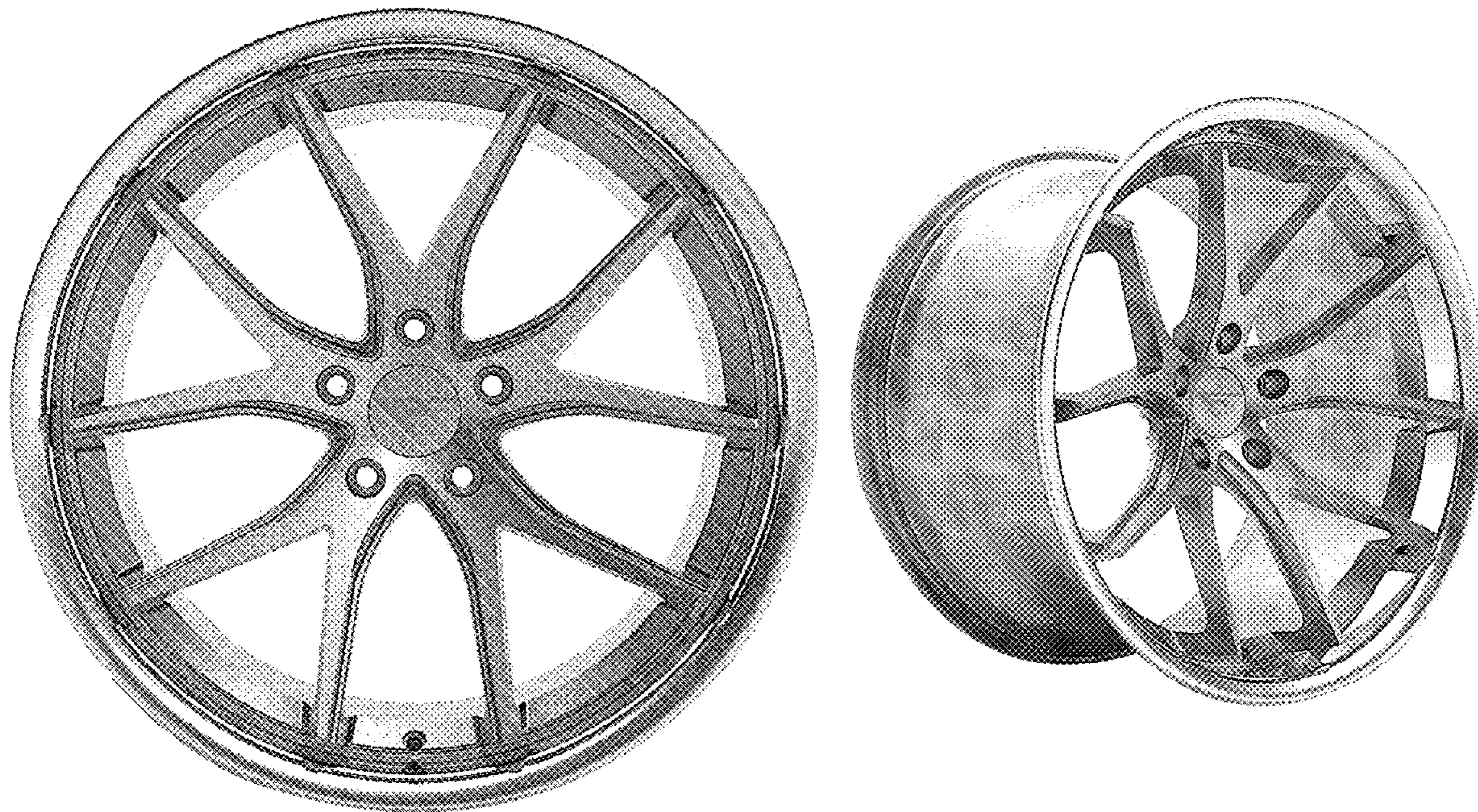




FIG 1



FIG 2

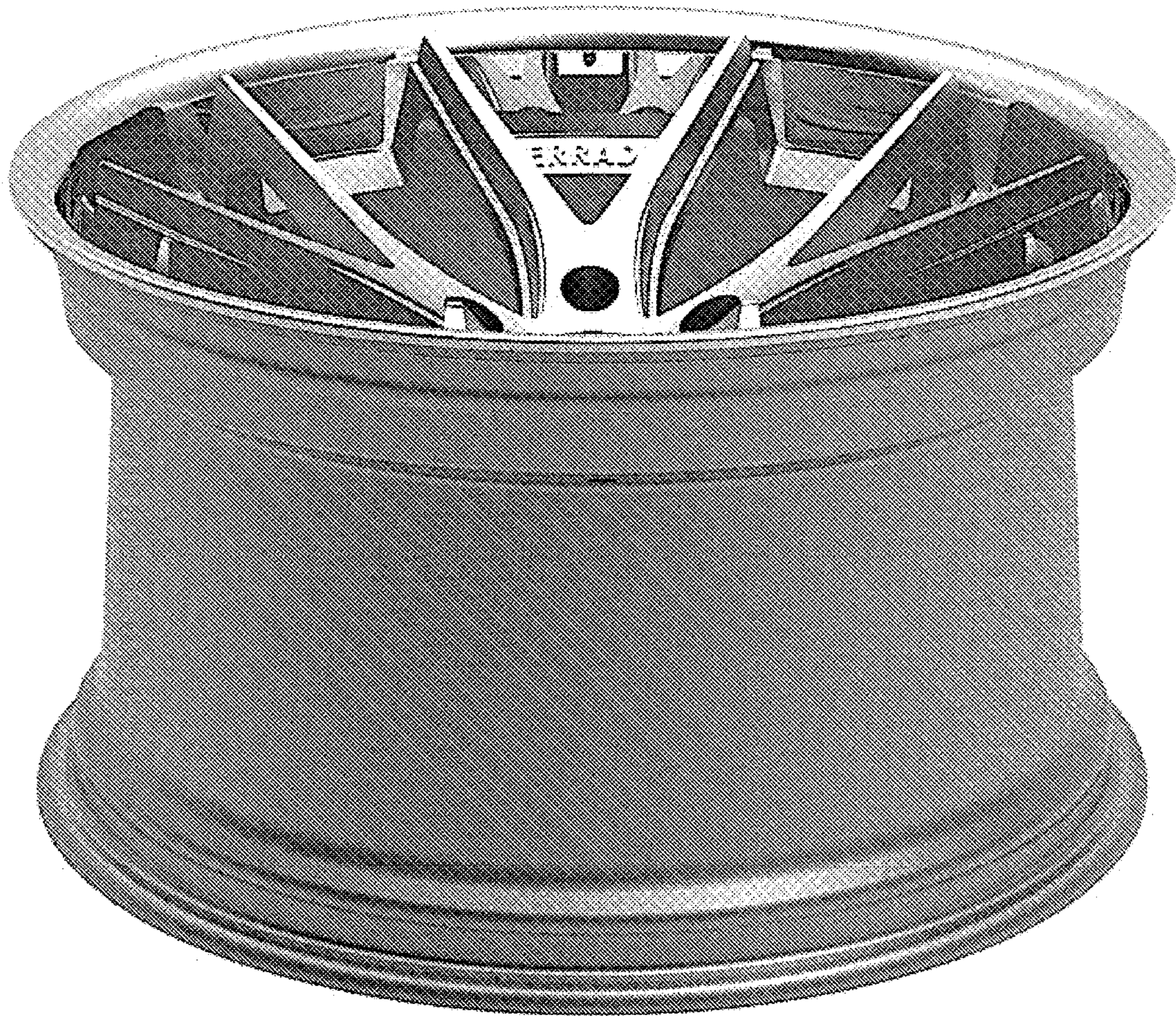


FIG 3



FIG 4

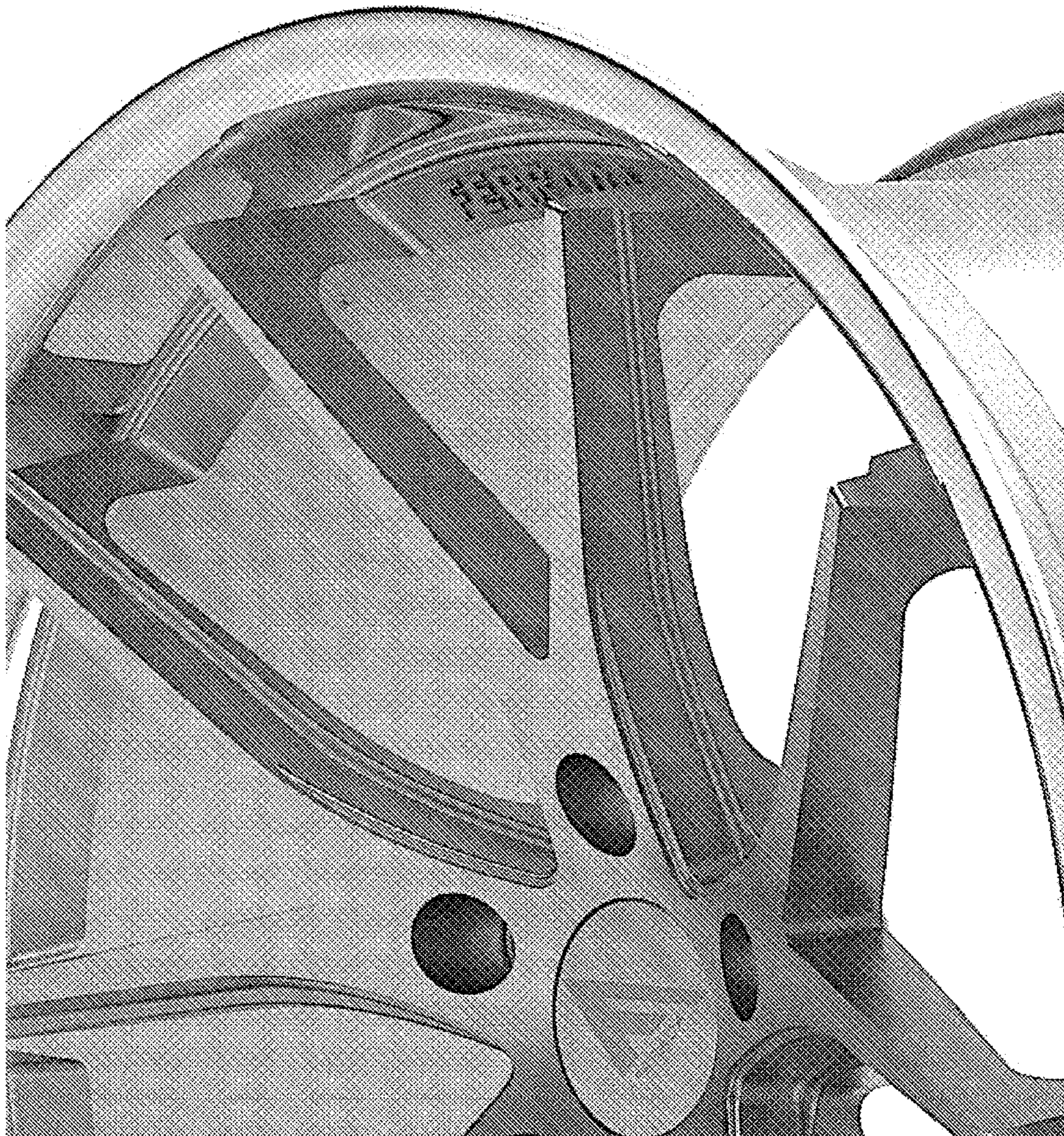


FIG 5



FIG 6