



US00D786761S

(12) **United States Design Patent** (10) **Patent No.:** **US D786,761 S**  
**Luk** (45) **Date of Patent:** **\*\* May 16, 2017**

(54) **FRONT DOOR FOR A VEHICLE**

FOREIGN PATENT DOCUMENTS

(71) Applicant: **Bayerische Motoren Werke Aktiengesellschaft**, Munich (DE)

WO WO DM/070931 3/2009  
WO WO DM/079907 7/2013

(72) Inventor: **Calvin Luk**, Munich (DE)

OTHER PUBLICATIONS

(73) Assignee: **Bayerische Motoren Werke Aktiengesellschaft**, Munich (DE)

<https://www.youtube.com/watch?v=IW-jfMKPpol>—Published Aug. 15, 2014.\*  
<http://www.bmwusa.com/bmw/Xmodels>—Downloaded May 10, 2016.\*

(\*\*) Term: **15 Years**

\* cited by examiner

(21) Appl. No.: **29/530,457**

(22) Filed: **Jun. 17, 2015**

*Primary Examiner* — Manpreet Matharu  
*Assistant Examiner* — Mojtaba Tehrani

(30) **Foreign Application Priority Data**

(74) *Attorney, Agent, or Firm* — Crowell & Moring LLP

Dec. 18, 2014 (DE) ..... 40 2014 101 250

(51) **LOC (10) Cl.** ..... **12-16**

(52) **U.S. Cl.**  
USPC ..... **D12/196**

(58) **Field of Classification Search**  
USPC ..... D12/86, 90–92, 190, 196  
CPC ..... B60R 13/04; B60R 19/54; B62D 25/12;  
B62D 27/026; B62D 35/005; B60J  
5/0412  
See application file for complete search history.

(57) **CLAIM**

The ornamental design for a front door for a vehicle, as shown and described.

(56) **References Cited**

U.S. PATENT DOCUMENTS

D525,912 S \* 8/2006 Perkins ..... D12/92  
D556,111 S \* 11/2007 Levy ..... D12/196  
D558,113 S \* 12/2007 Leclercq ..... D12/196  
D573,511 S \* 7/2008 Sato ..... D12/92  
D582,314 S \* 12/2008 Leclercq ..... D12/92  
D583,288 S \* 12/2008 Leclercq ..... D12/196  
D598,355 S \* 8/2009 Sato ..... D12/196  
D691,068 S \* 10/2013 Bischoff ..... D12/92  
D703,123 S \* 4/2014 Hildebrand ..... D12/196  
D715,196 S \* 10/2014 Yamashita ..... D12/92  
D716,189 S \* 10/2014 Nordmann ..... D12/92  
D731,926 S \* 6/2015 Kobayashi ..... D12/92  
D748,534 S \* 2/2016 Bischoff ..... D12/92

**DESCRIPTION**

This application contains subject matter related to the following co-pending U.S. design patent application: Application Ser. No. 29/530,451, filed herewith and entitled “Vehicle, Toy, and/or Replicas Thereof”.  
FIG. 1 is a front view of a front door for a vehicle showing my new design;  
FIG. 2 is a left, front perspective view thereof;  
FIG. 3 is a right, front perspective view thereof;  
FIG. 4 is a left side view thereof;  
FIG. 5 is a right side view thereof;  
FIG. 6 is a top view thereof;  
FIG. 7 is a bottom view thereof; and,  
FIG. 8 is a rear view thereof.  
The areas identified by broken lines and lighter grayscale in FIG. 8 illustrate environmental subject matter only and form no part of the claimed design.

**1 Claim, 8 Drawing Sheets**



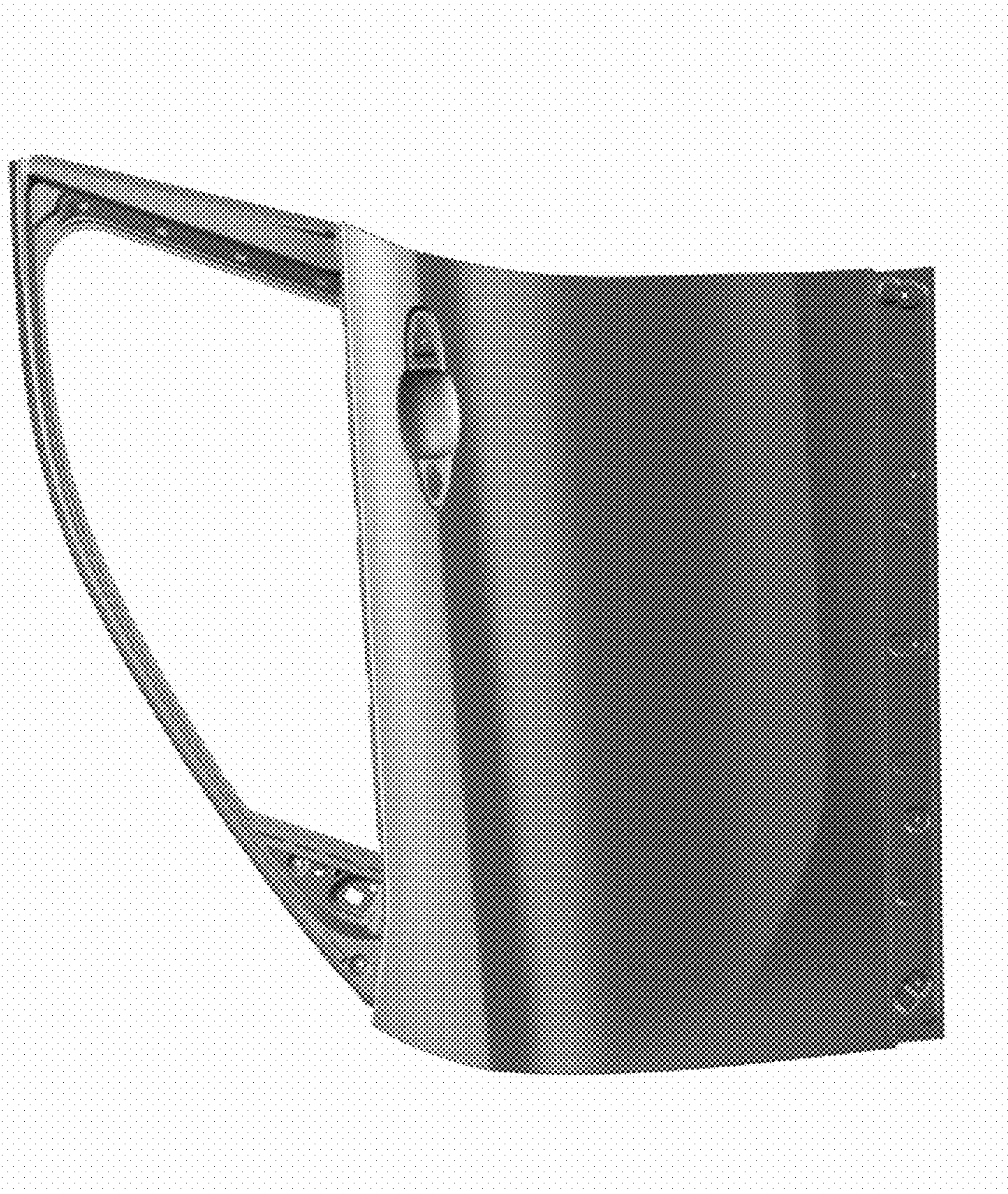


Fig. 1

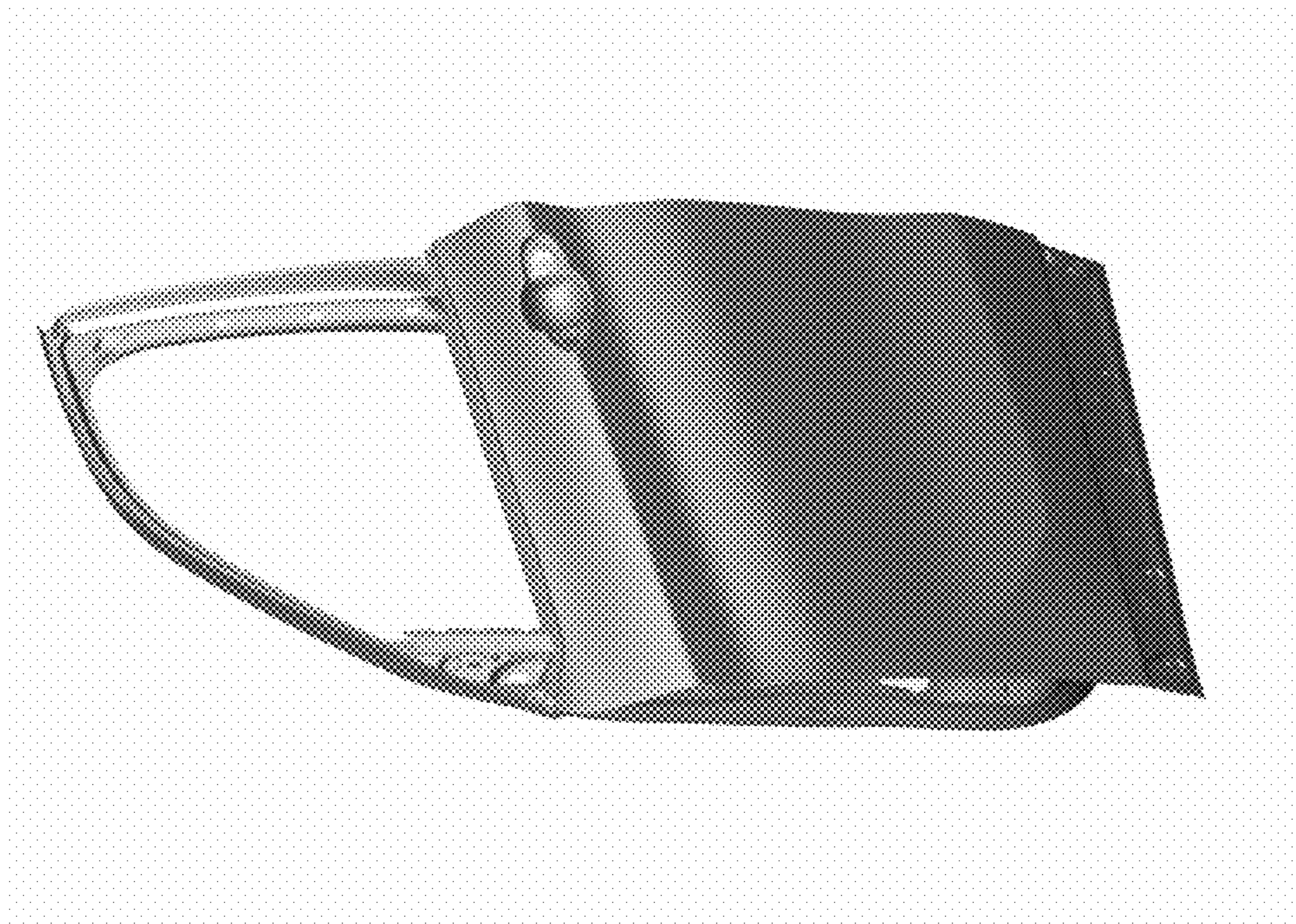


Fig. 2

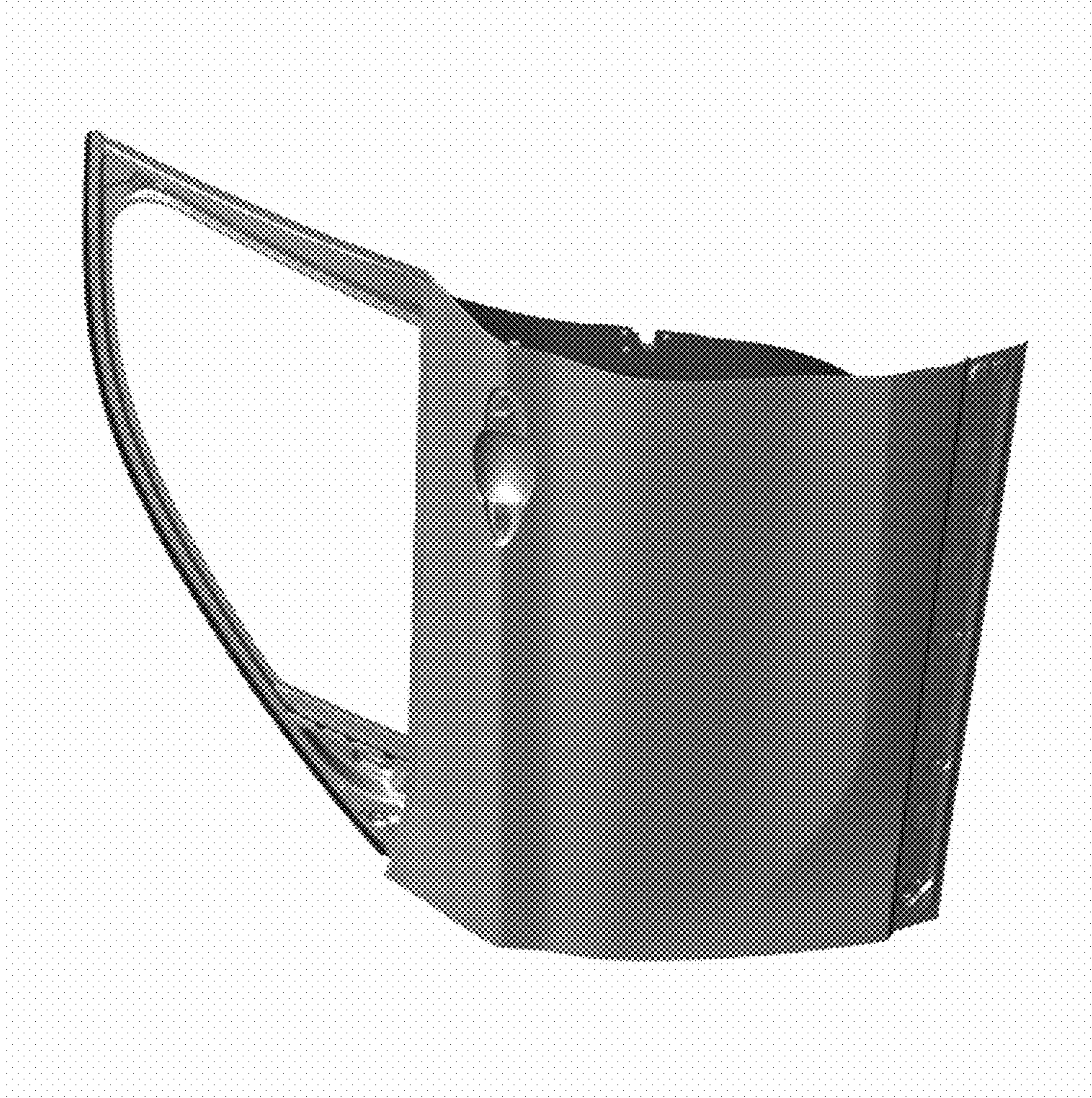


Fig. 3

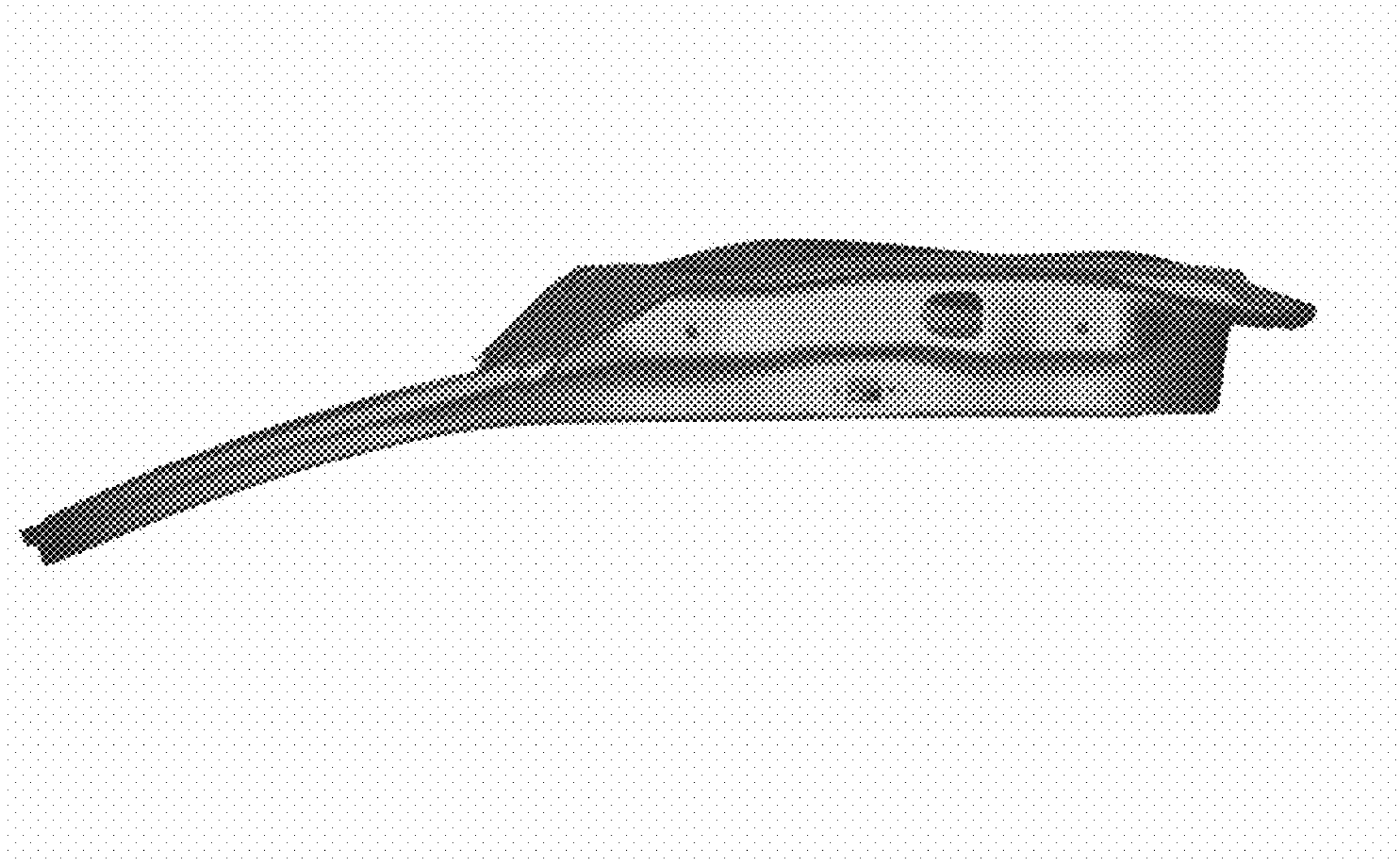


Fig. 4

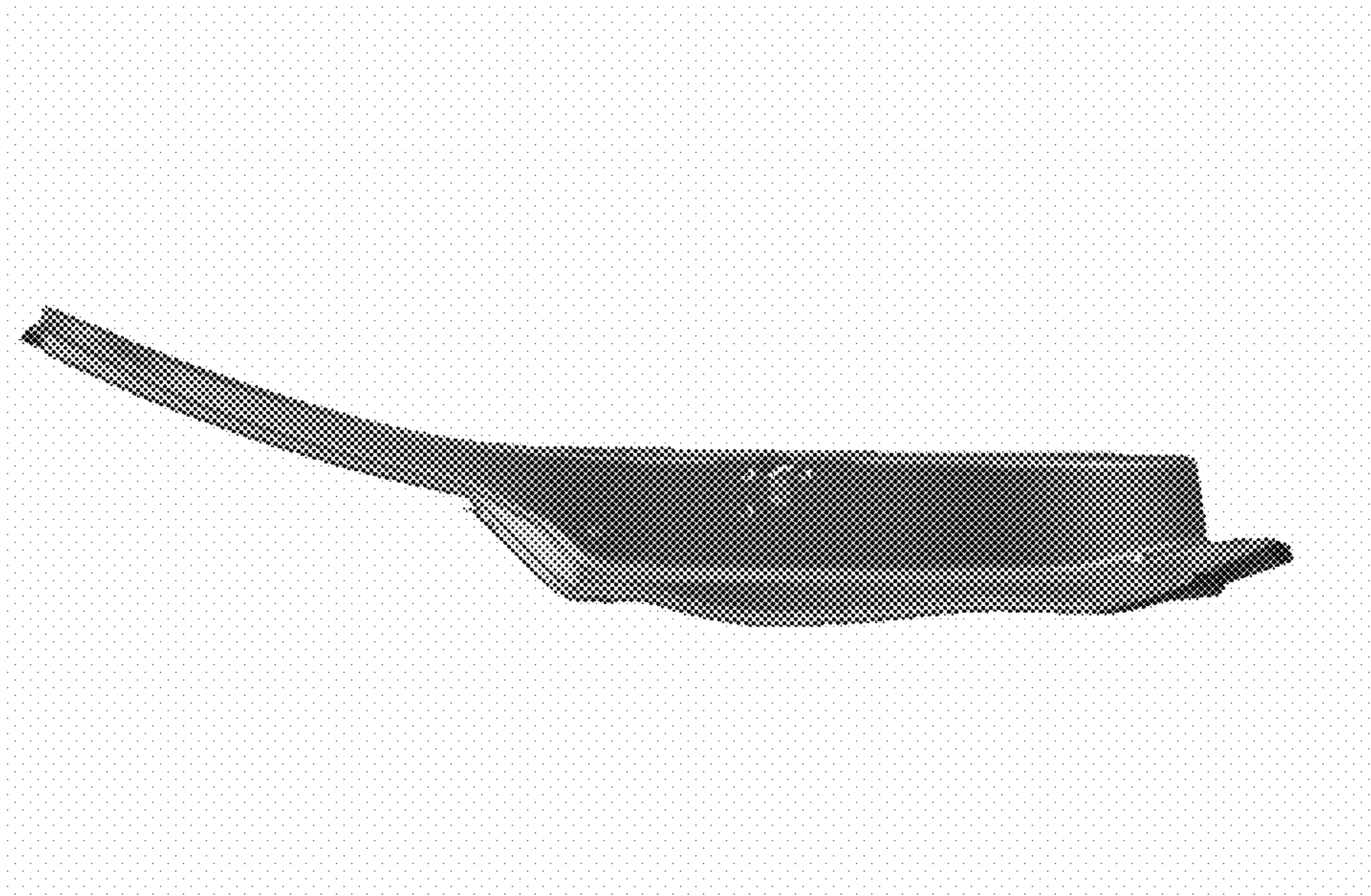


Fig. 5



Fig. 6



Fig. 7





Fig. 8