



US00D786758S

(12) **United States Design Patent** (10) **Patent No.:** **US D786,758 S**
Chang et al. (45) **Date of Patent:** **** May 16, 2017**

(54) **INSTRUMENT PANEL FOR A MOTOR VEHICLE**

(71) Applicants: **Ben Uk Chang**, Irvine, CA (US); **Yoshiko Hayashi**, Okazaki (JP); **Yuta Nozaki**, Miyoshi (JP); **Atsuro Nakano**, Toyota (JP)

(72) Inventors: **Ben Uk Chang**, Irvine, CA (US); **Yoshiko Hayashi**, Okazaki (JP); **Yuta Nozaki**, Miyoshi (JP); **Atsuro Nakano**, Toyota (JP)

(73) Assignee: **Toyota Jidosha Kabushiki Kaisha**, Toyota-shi, Aichi-ken (JP)

(**) Term: **15 Years**

(21) Appl. No.: **29/536,838**

(22) Filed: **Aug. 19, 2015**

(30) **Foreign Application Priority Data**

Feb. 20, 2015 (JP) 2015-003454

(51) **LOC (10) Cl.** **12-16**

(52) **U.S. Cl.**
USPC **D12/192**

(58) **Field of Classification Search**
USPC D12/192, 195, 415; D15/17; D10/46, 98
CPC B60K 37/00; B60K 37/02; B60K 37/04
See application file for complete search history.

(56) **References Cited**

U.S. PATENT DOCUMENTS

D419,936 S * 2/2000 Sacco D12/192
D539,714 S * 4/2007 Toyama D12/192
D637,539 S * 5/2011 Welch D12/192
D641,672 S * 7/2011 Willoughby D12/192
D641,674 S * 7/2011 Kim D12/192
D693,753 S * 11/2013 Cheung D12/192

D704,610 S * 5/2014 Mizuhata D12/192
D718,200 S * 11/2014 Arnaout D12/192
D721,996 S * 2/2015 Farcas D12/192
D721,997 S * 2/2015 Hedge D12/192
D727,231 S * 4/2015 Narita D12/192
D727,816 S * 4/2015 Takagi D12/192

OTHER PUBLICATIONS

Zooches; URL: <http://www.zooches.com/fotos/2013-toyota-mark-x-zio>; Model: Toyota Mark X Zio (2013); Mfg.: Toyota; available on at least Apr. 10, 2014.

iMotor Times; URL: <http://www.imotortimes.com/bmw-i8-unveiled-frankfurt-motor-show-bmw-bets-scissors-beating-rock-gallery-19263#slide/5>; Model: BMW i8; Mfg.: BMW; available on at least Apr. 10, 2014.

netcarshow.com; URL: http://www.netcarshow.com/ford/2013-fusion_hybrid/; Model: Ford Fusion (2013); Mfg.: Ford; available on at least Apr. 10, 2014.

* cited by examiner

Primary Examiner — Philip S Hyder

(74) *Attorney, Agent, or Firm* — Finnegan, Henderson, Farabow, Garrett & Dunner, L.L.P.

(57) **CLAIM**

The ornamental design for an instrument panel for a motor vehicle, as shown and described.

DESCRIPTION

FIG. 1 is a front perspective view of an instrument panel for a motor vehicle thereof showing our new design;

FIG. 2 is a front view thereof;

FIG. 3 is a right side elevation view thereof;

FIG. 4 is a left side elevation view thereof; and,

FIG. 5 is a top plan view thereof.

Our design includes a mirror image of the embodiment depicted. The rear and bottom views form no part of the claimed design.

1 Claim, 5 Drawing Sheets

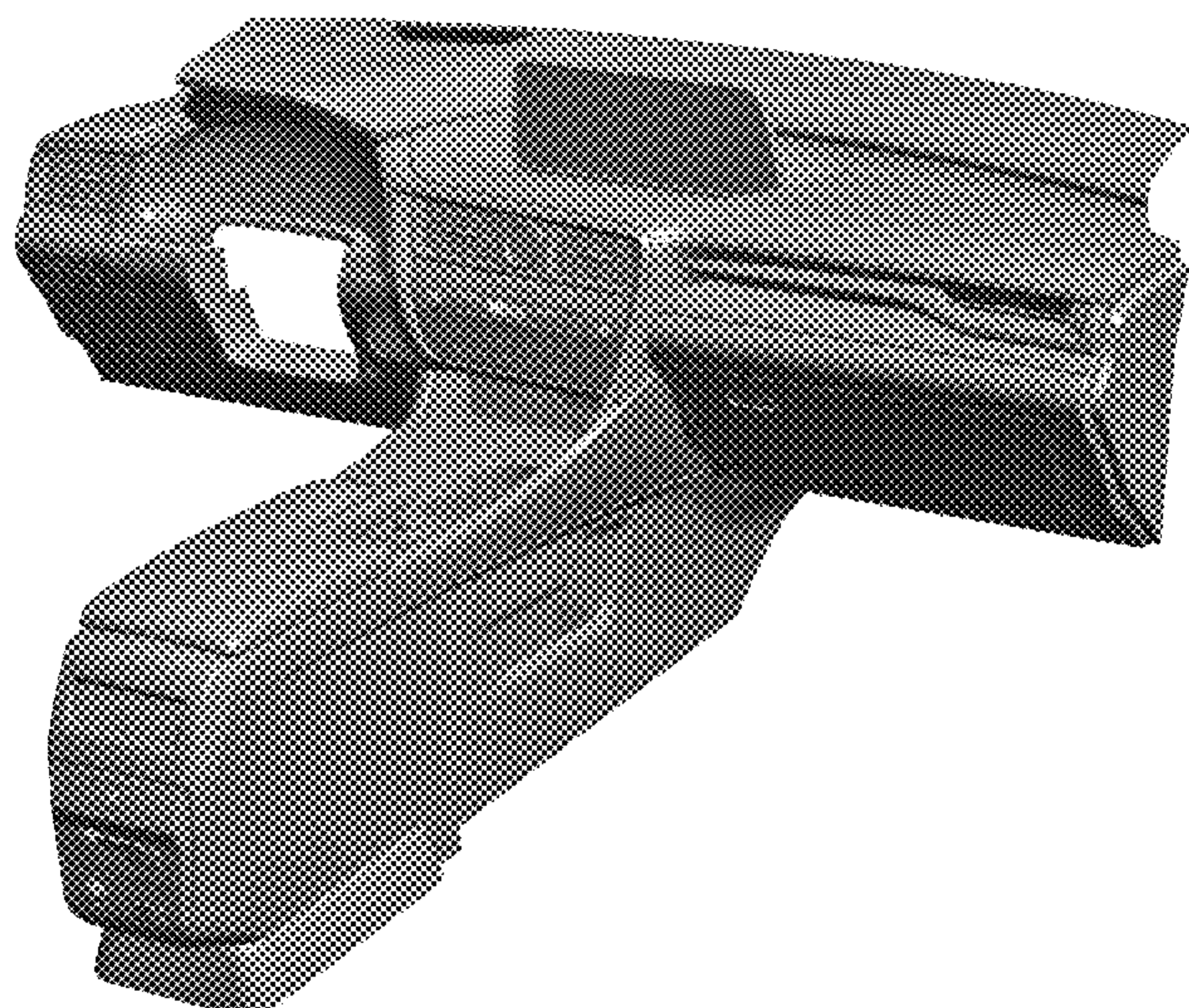




FIG. 1

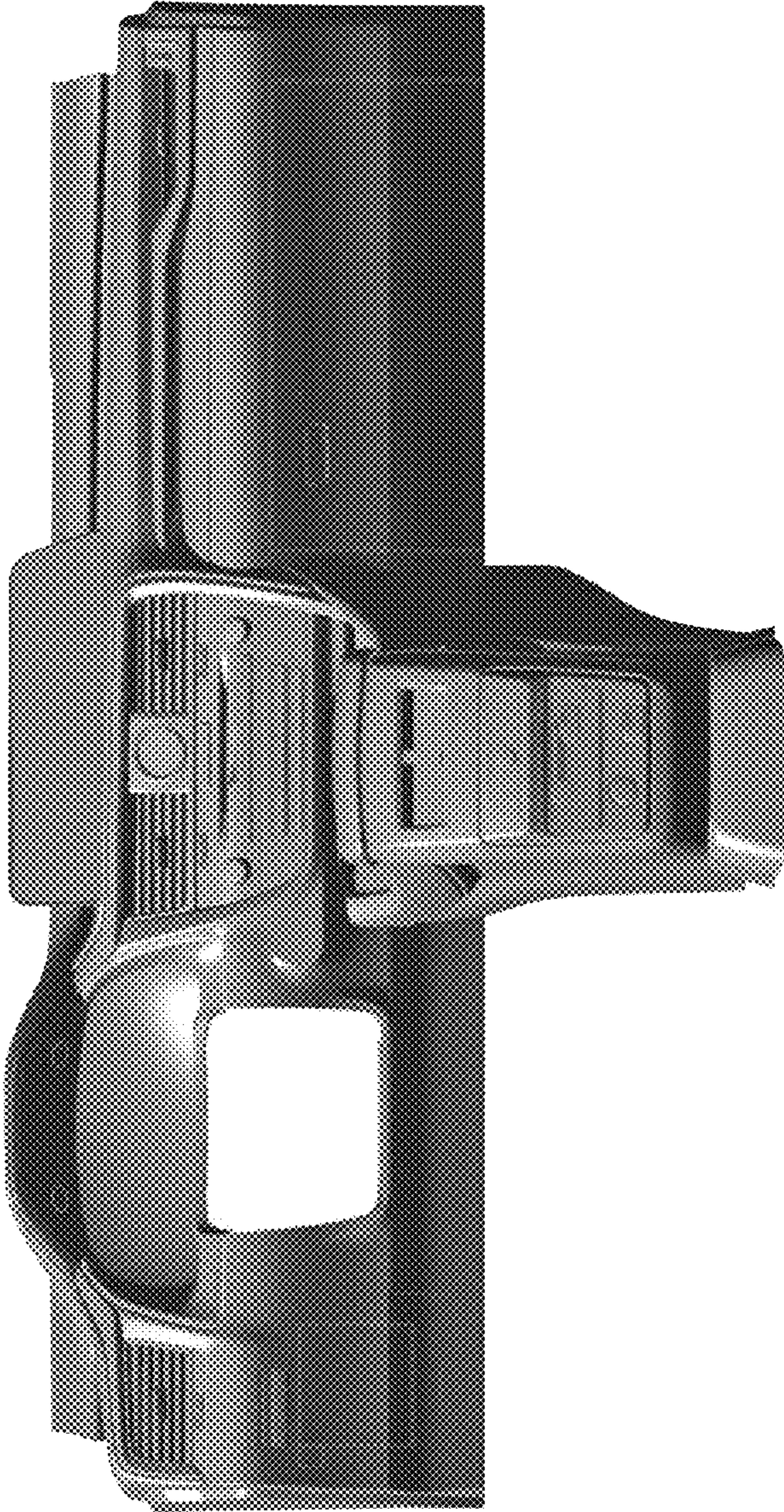


FIG. 2

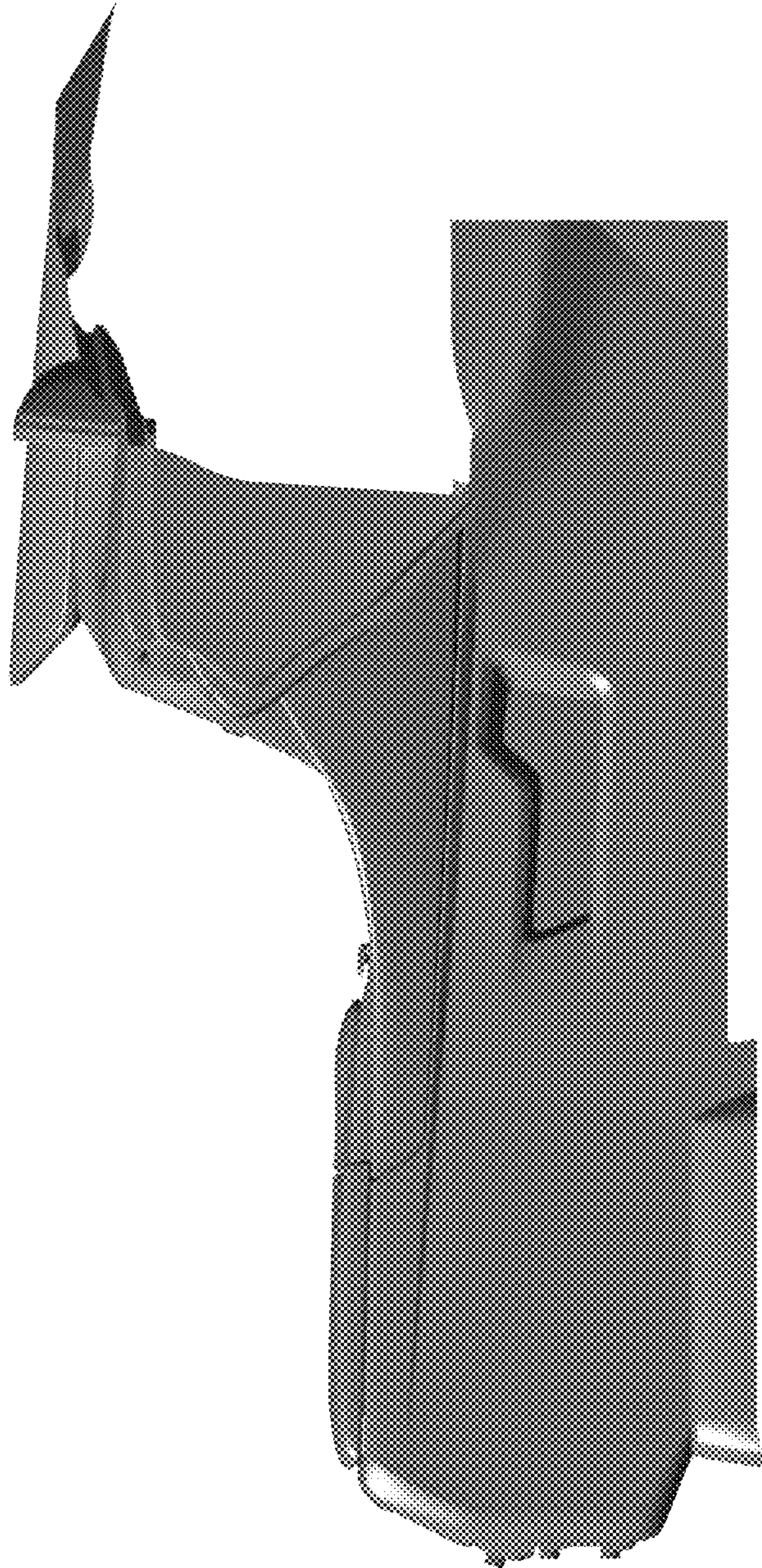


FIG. 3

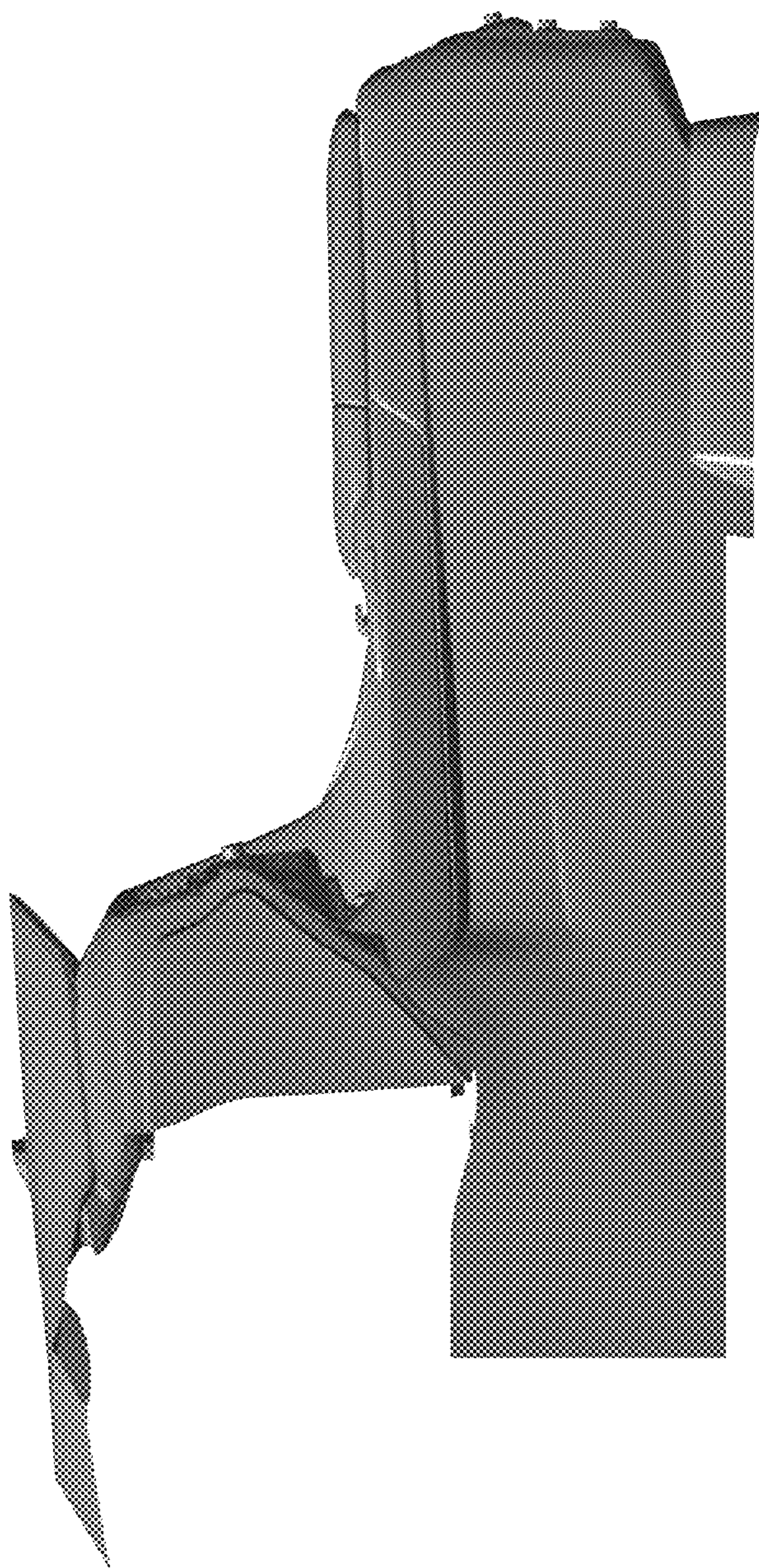


FIG. 4

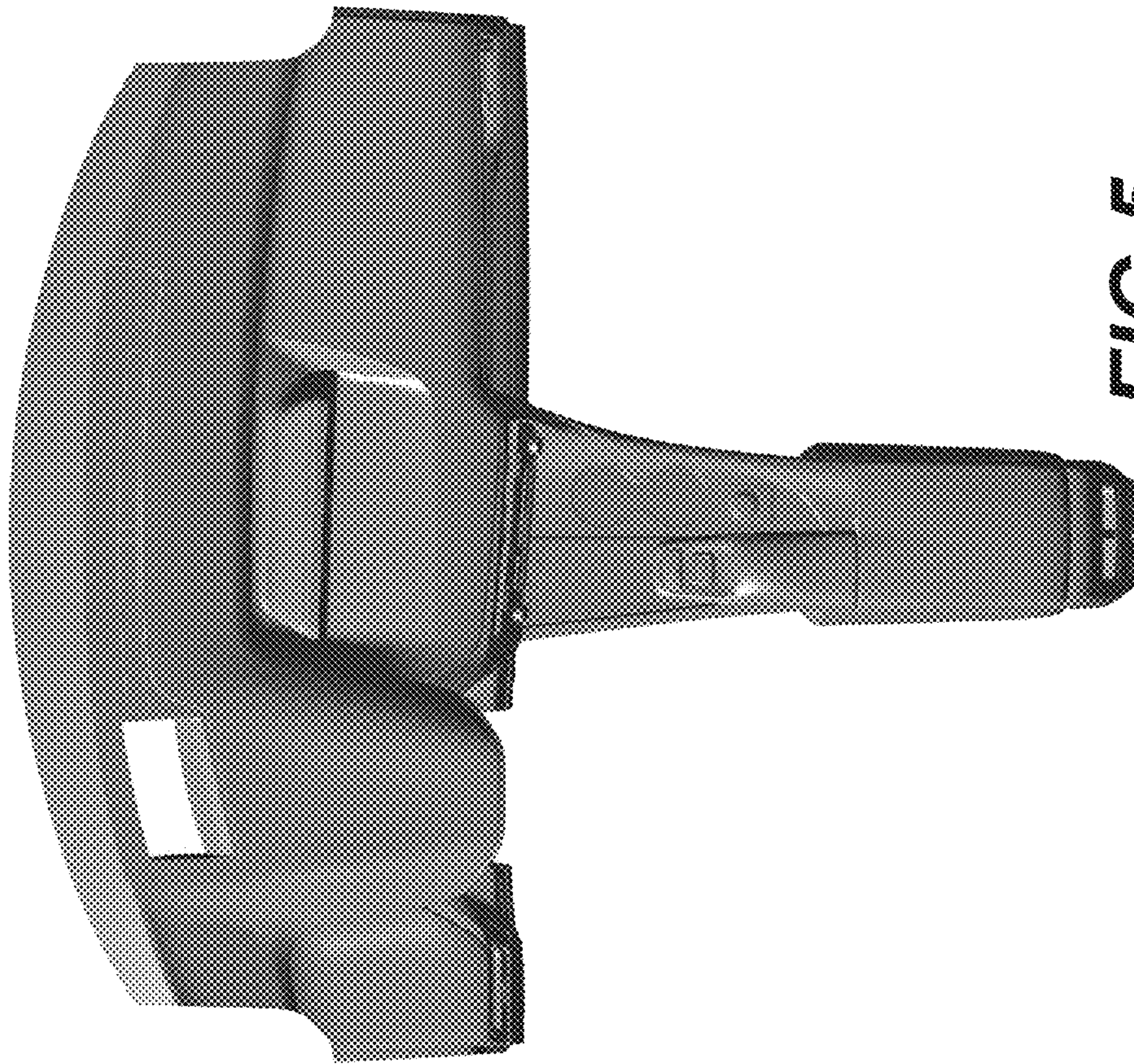


FIG. 5

UNITED STATES PATENT AND TRADEMARK OFFICE
CERTIFICATE OF CORRECTION

PATENT NO. : D786,758 S
APPLICATION NO. : 29/536838
DATED : May 16, 2017
INVENTOR(S) : Ben Uk Chang et al.

Page 1 of 1

It is certified that error appears in the above-identified patent and that said Letters Patent is hereby corrected as shown below:

On the Title Page

Please correct item (56) under "OTHER PUBLICATIONS" as follows:

Zcoches; URL: <http://www.zcoches.com/fotos/2013-toyota-mark-x-zio>;

Model: Toyota Mark X Zio (2013); Mfg.: Toyota; available on at least Apr. 10, 2014.

Signed and Sealed this
Fourth Day of July, 2017



Joseph Matal
*Performing the Functions and Duties of the
Under Secretary of Commerce for Intellectual Property and
Director of the United States Patent and Trademark Office*